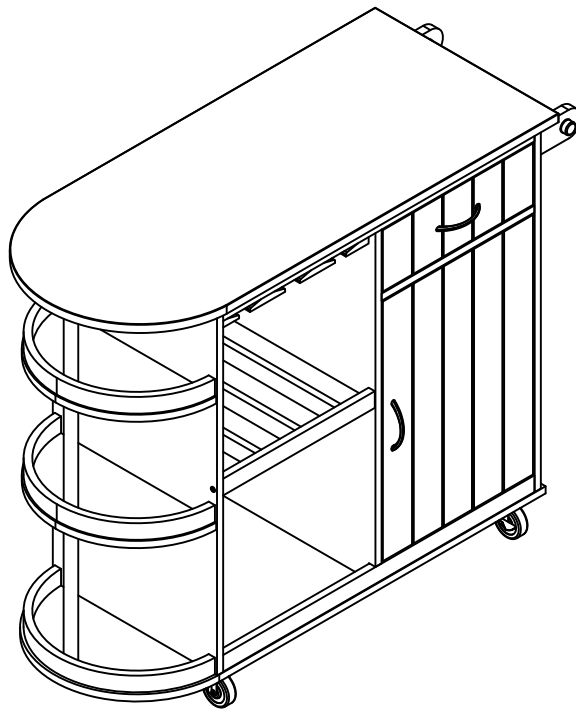


# Kitchen Islands Carts

**Assembly Instructions - Please keep for future reference**

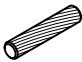
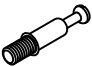







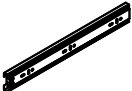













**Important – Please read these instructions fully before starting assembly**

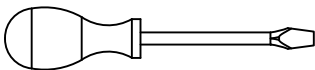
# Components - Fittings

Please check you have all the panels listed below

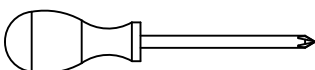
Note: The quantities below are the correct amount to complete the assembly. In some cases more fittings may be supplied than are required.

<p>(A)  Dowel x27</p>	<p>(B)  Cam Bolt x29</p>	<p>(C)  Cam lock x29</p>	<p>(D)  4*35mm Screw x26</p>
<p>(E)  Handle x2</p>	<p>(F)  4*18mm Bolt x4</p>	<p>(G)  Door Hinge x2</p>	<p>(H)  3.5*14mm Screw x12</p>
<p>(I)  3.0*12mm Screw x12</p>	<p>(J)  Drawer slide 12" x2</p>	<p>(K)  Shelf Support Pin x4</p>	<p>(L)  6*63mm Bolt x8</p>
<p>(M)  6*45mm Bolt x4</p>	<p>(N)  Flat Washer x8</p>	<p>(O)  Lock Washer x8</p>	<p>(P)  x4</p>
<p>(Q)  Allen Key x1</p>	<p>(R)  Locking Caster x2</p>	<p>(S)  Caster x2</p>	<p>(T)  6*12mm Bolt x16</p>
<p>(U)  Ø20 x12</p>			

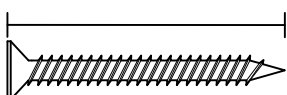
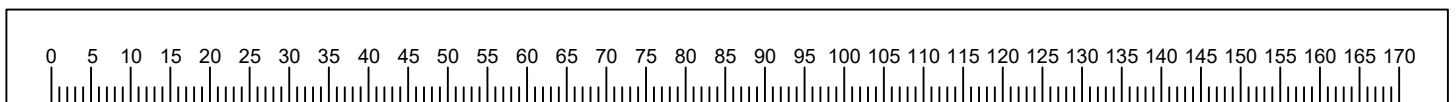
## Tools required



Phillips screwdriver  
(medium & large)

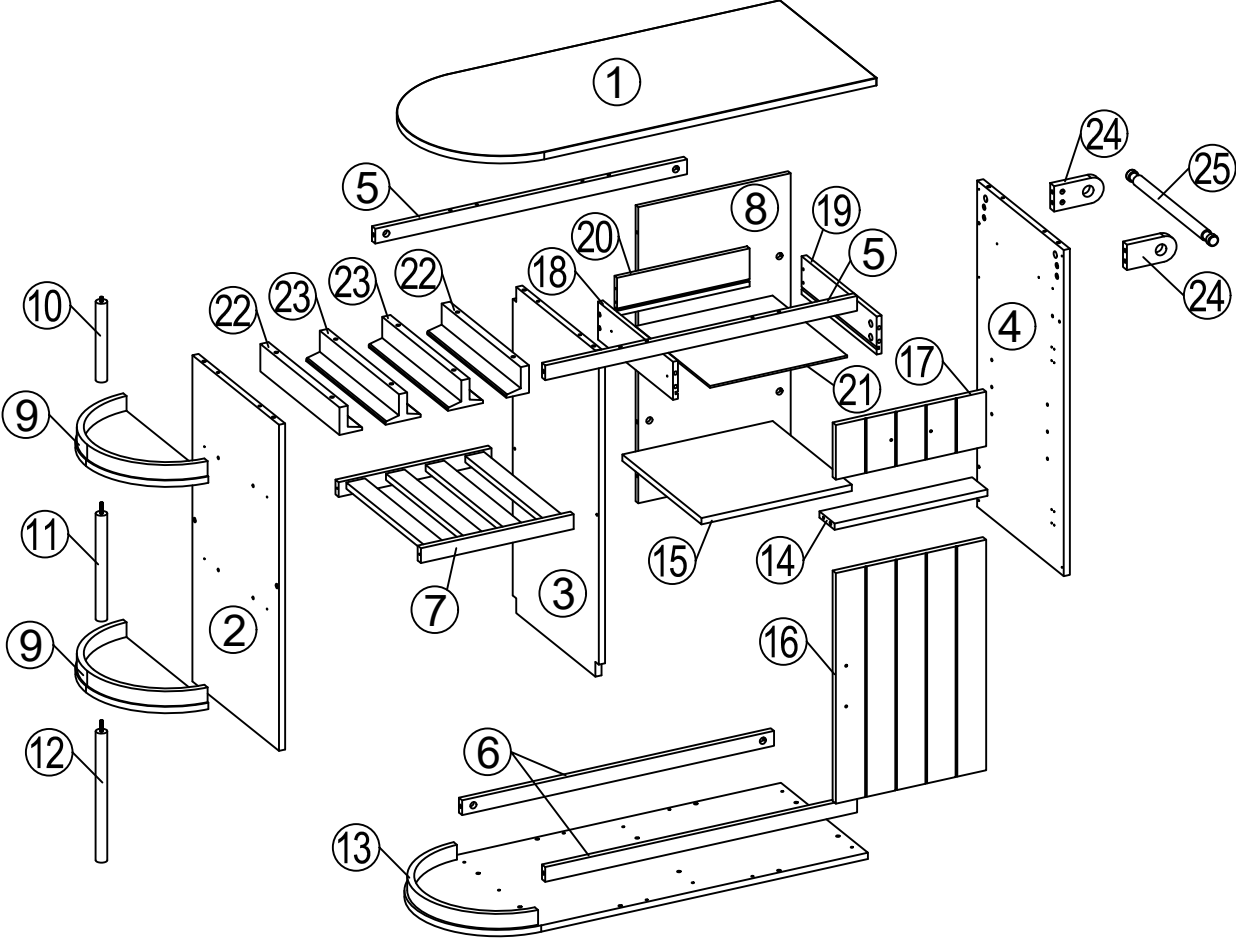


## Ruler - Use this ruler to help correctly identify the screws



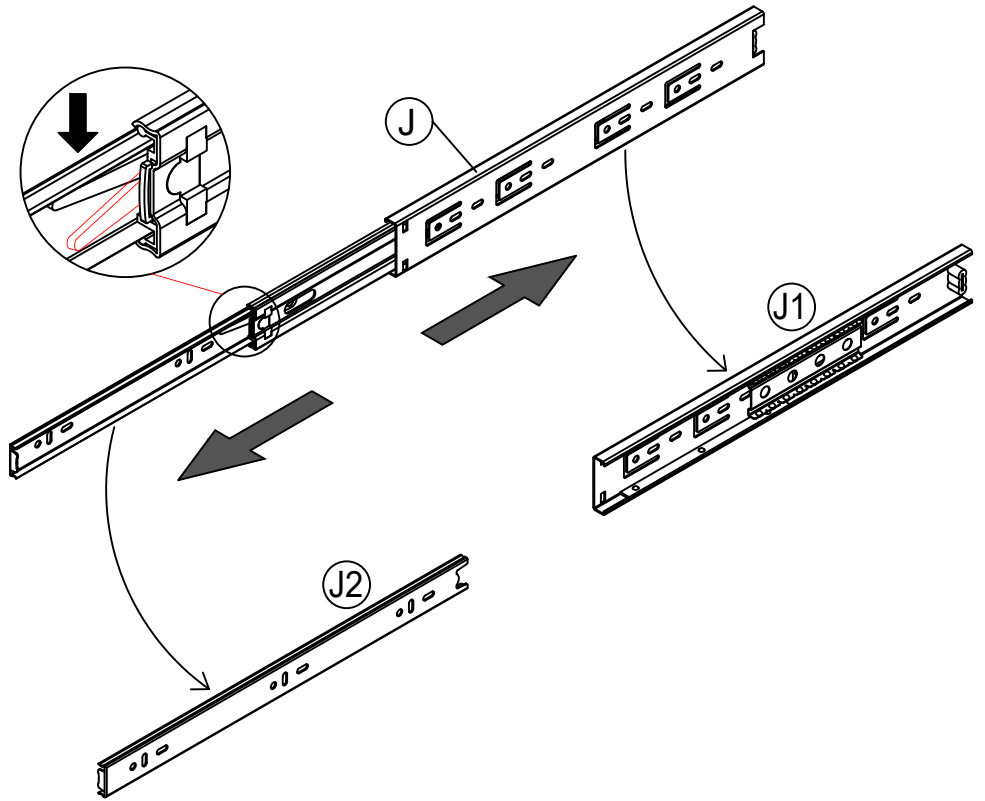
The screws length is measured from the head to the point (35mm screw shown).

# Assembly Instructions

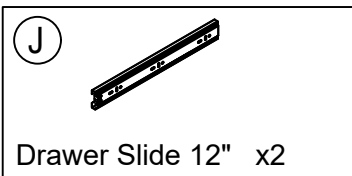


# Assembly Instructions

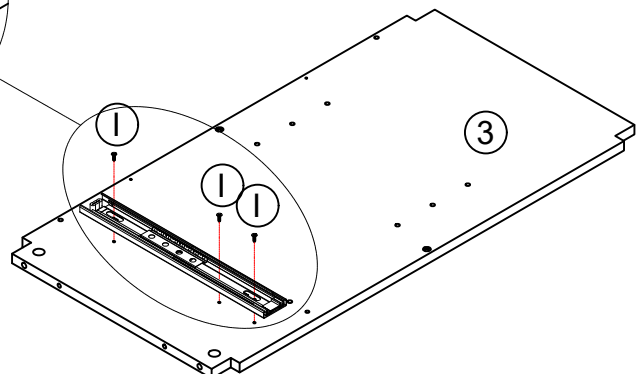
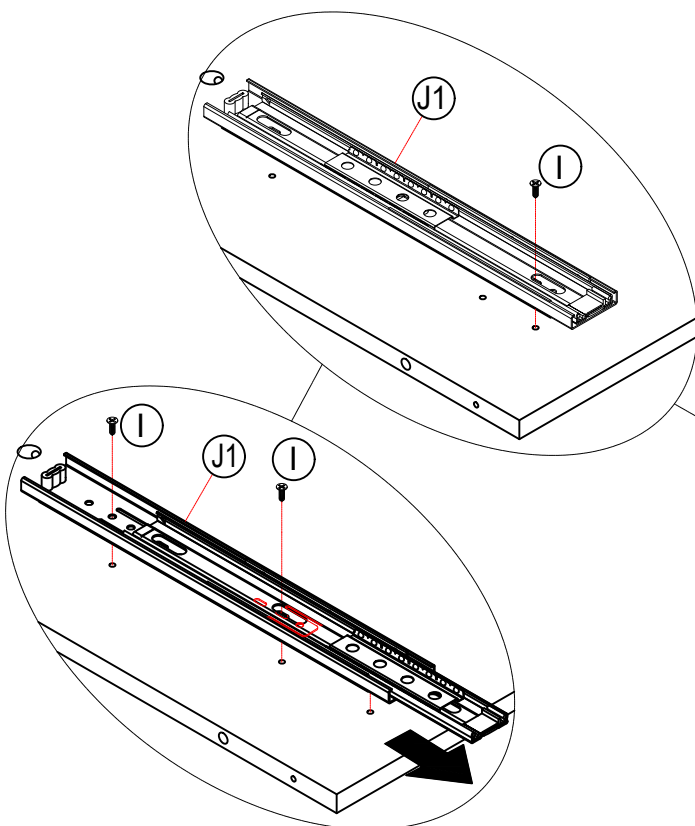
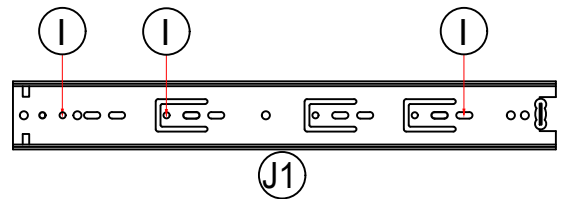
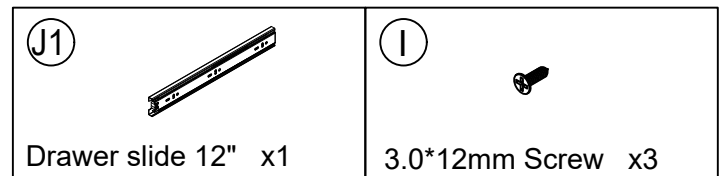
## Step 1



Split J into J1 and J2

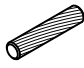
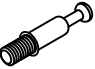


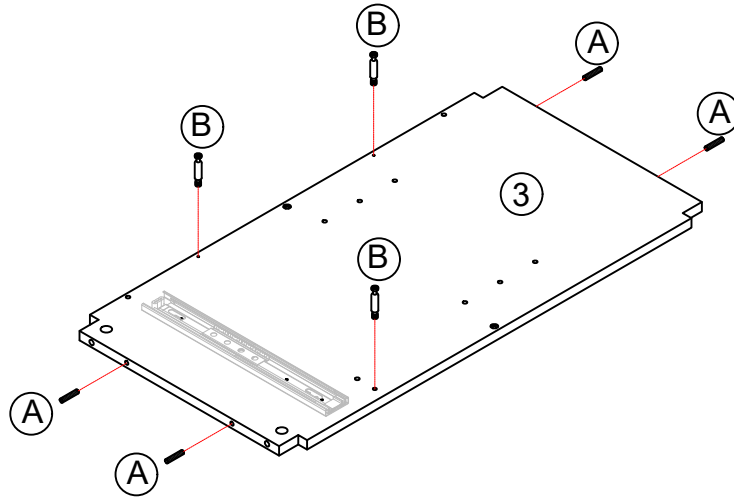
## Step 2



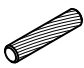
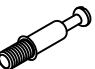
# Assembly Instructions

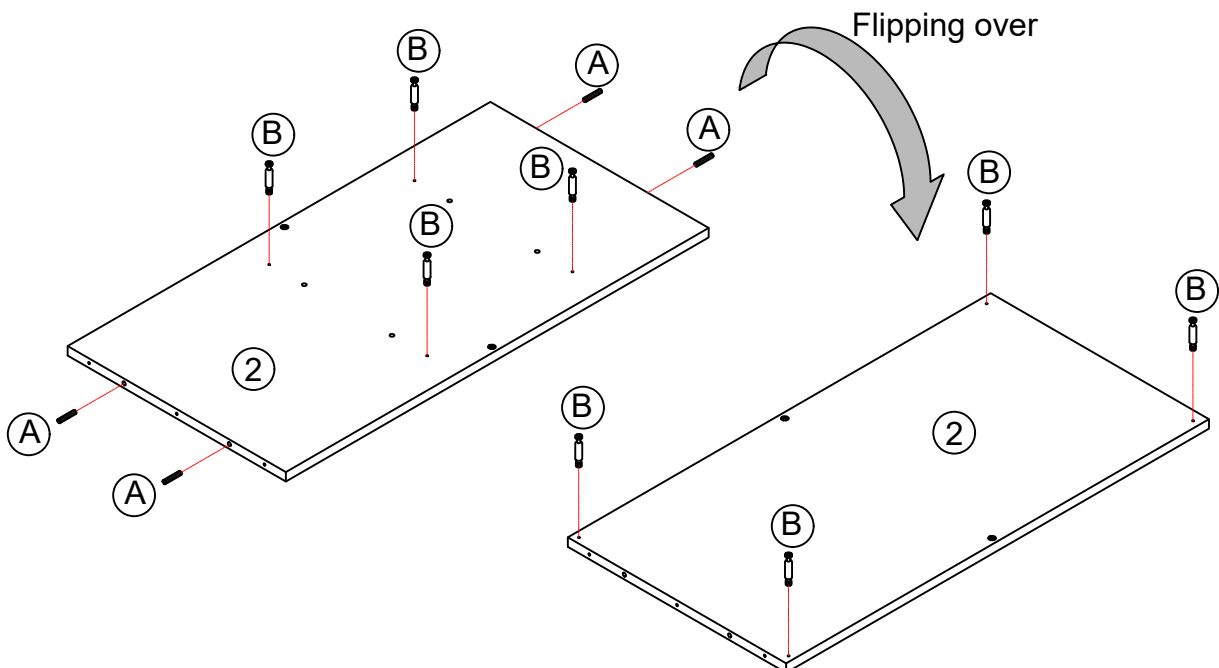
## Step 3

<p>(A) </p> <p>Dowel x4</p>	<p>(B) </p> <p>Cam Bolt x3</p>
--	---



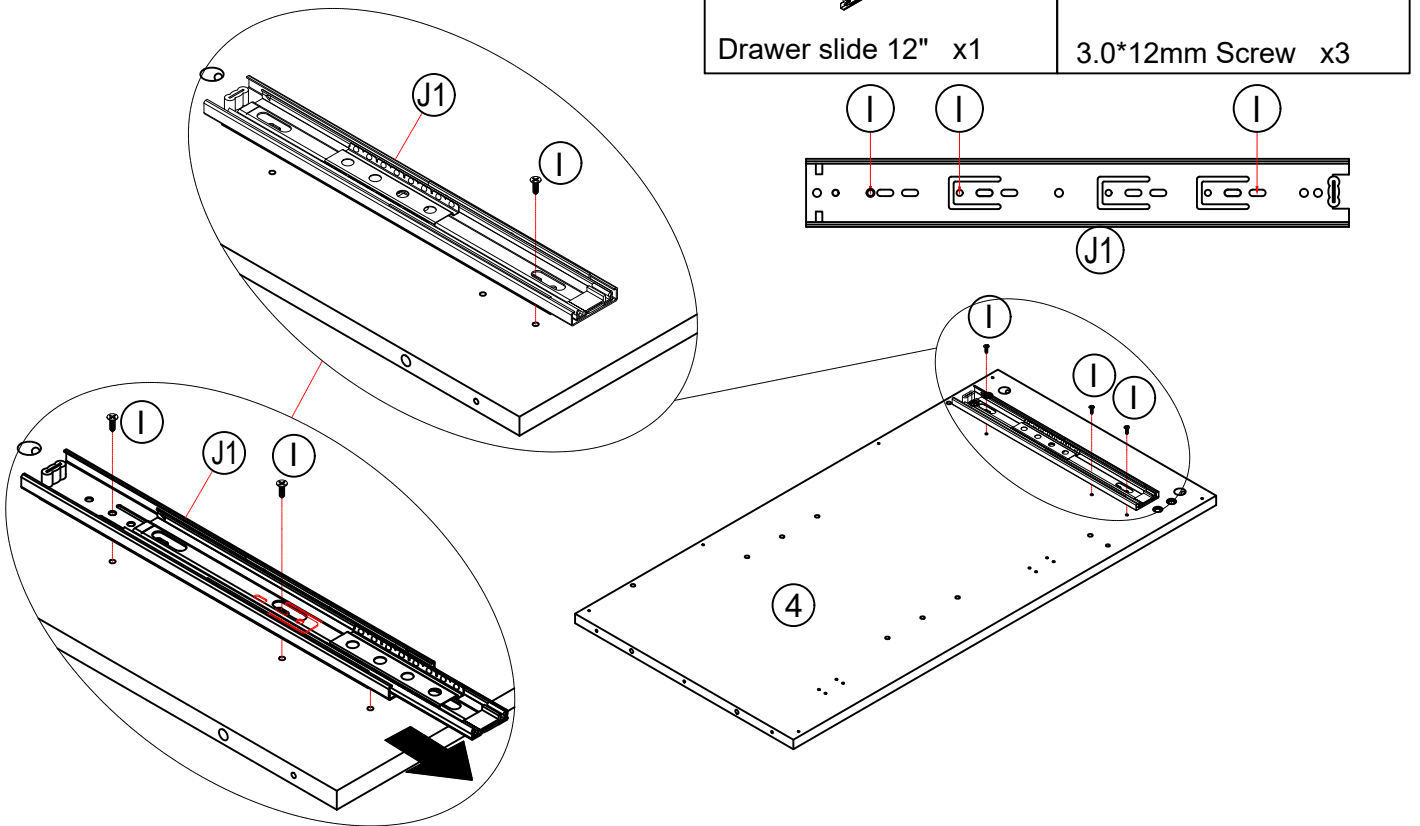
## Step 4

<p>(A) </p> <p>Dowel x4</p>	<p>(B) </p> <p>Cam Bolt x8</p>
--	---

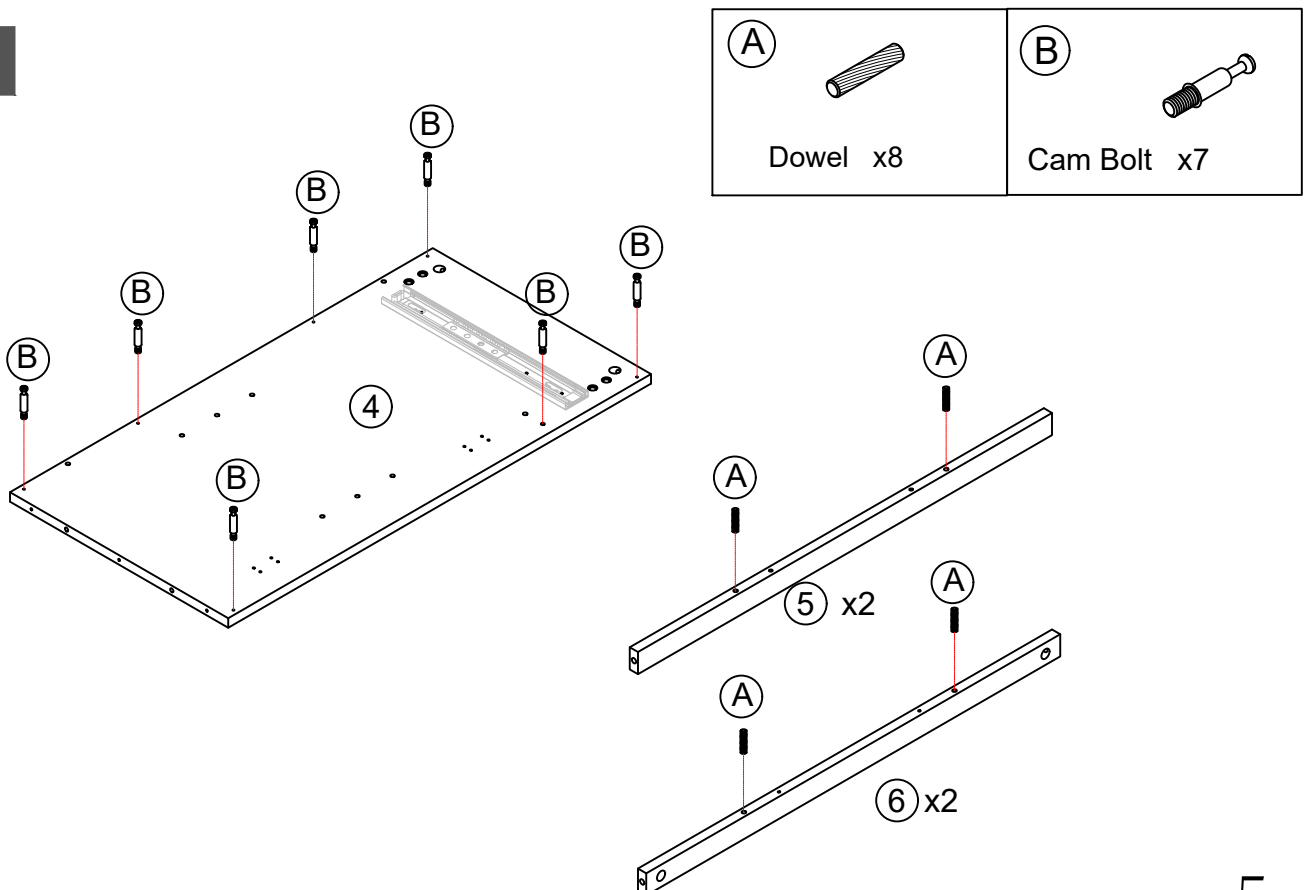


# Assembly Instructions

## Step 5



## Step 6



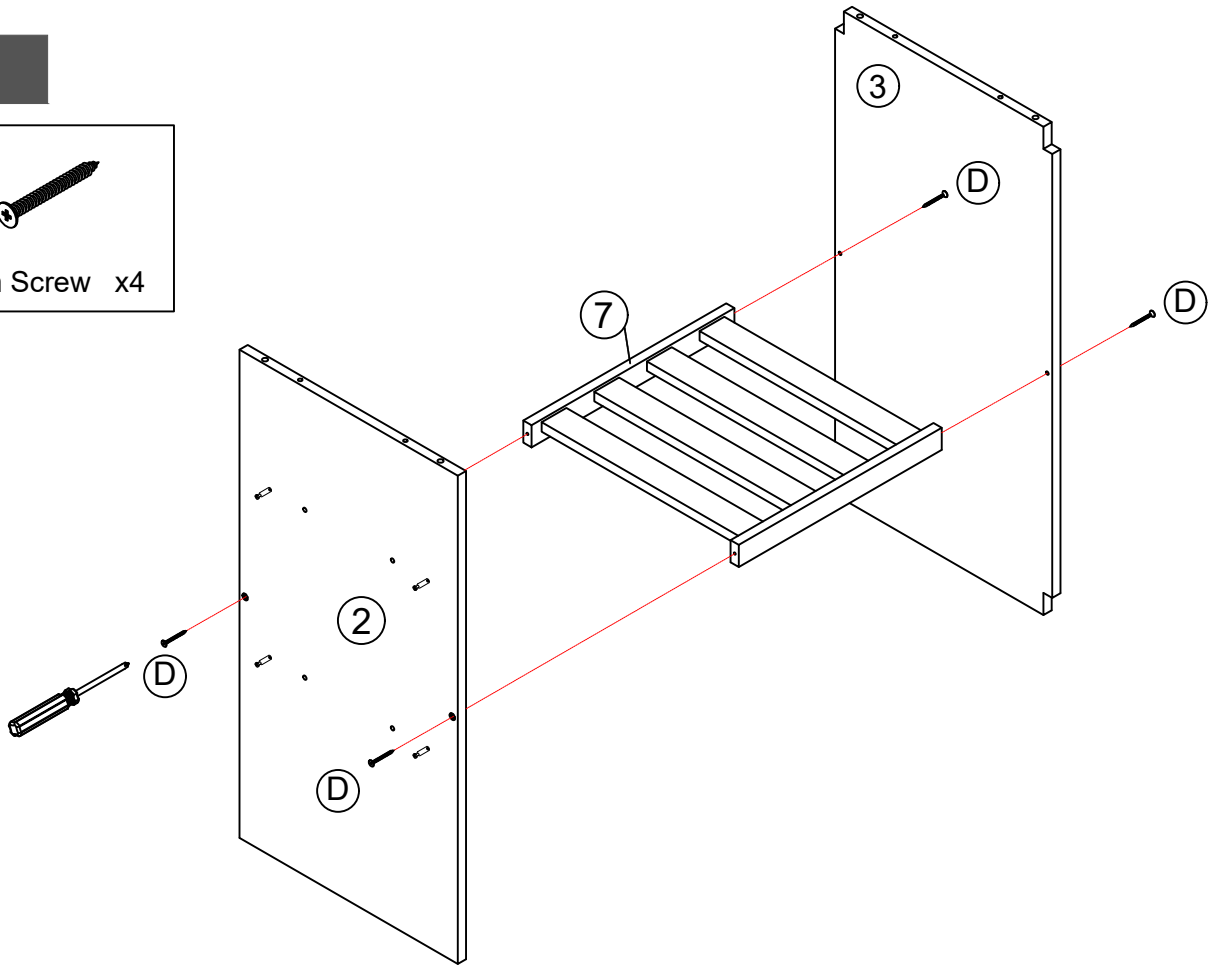
# Assembly Instructions

## Step 7

(D)



4\*35mm Screw x4



## Step 8

(C)

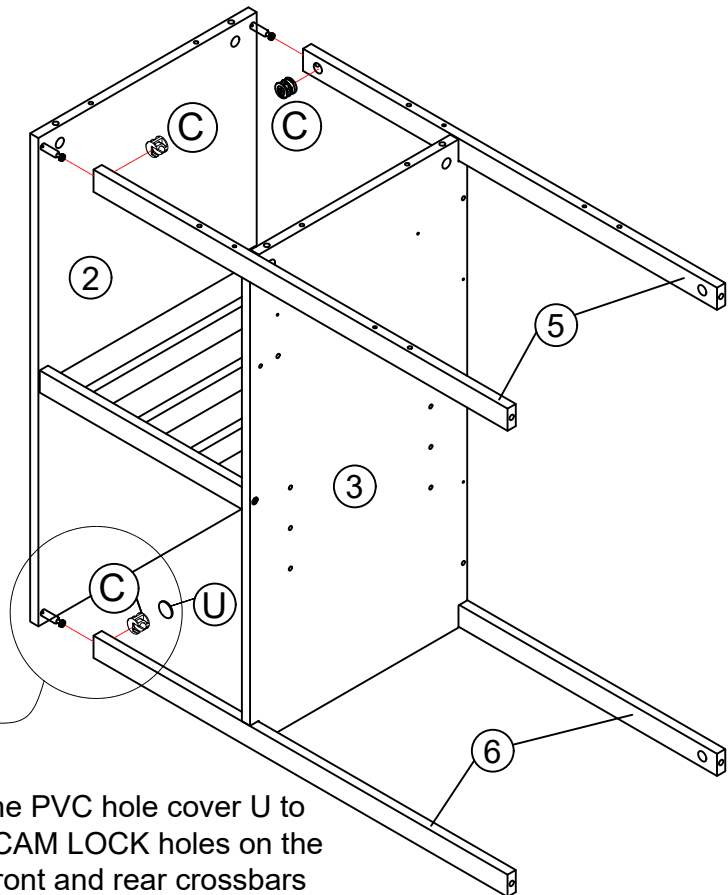
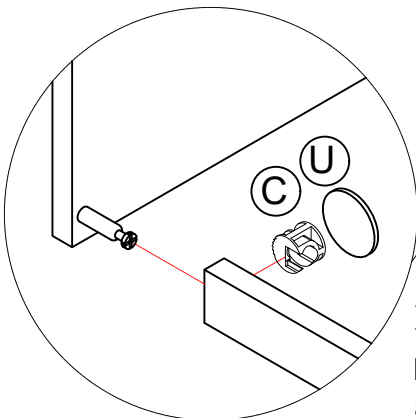
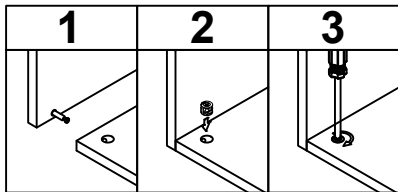


Cam lock x4

(U)



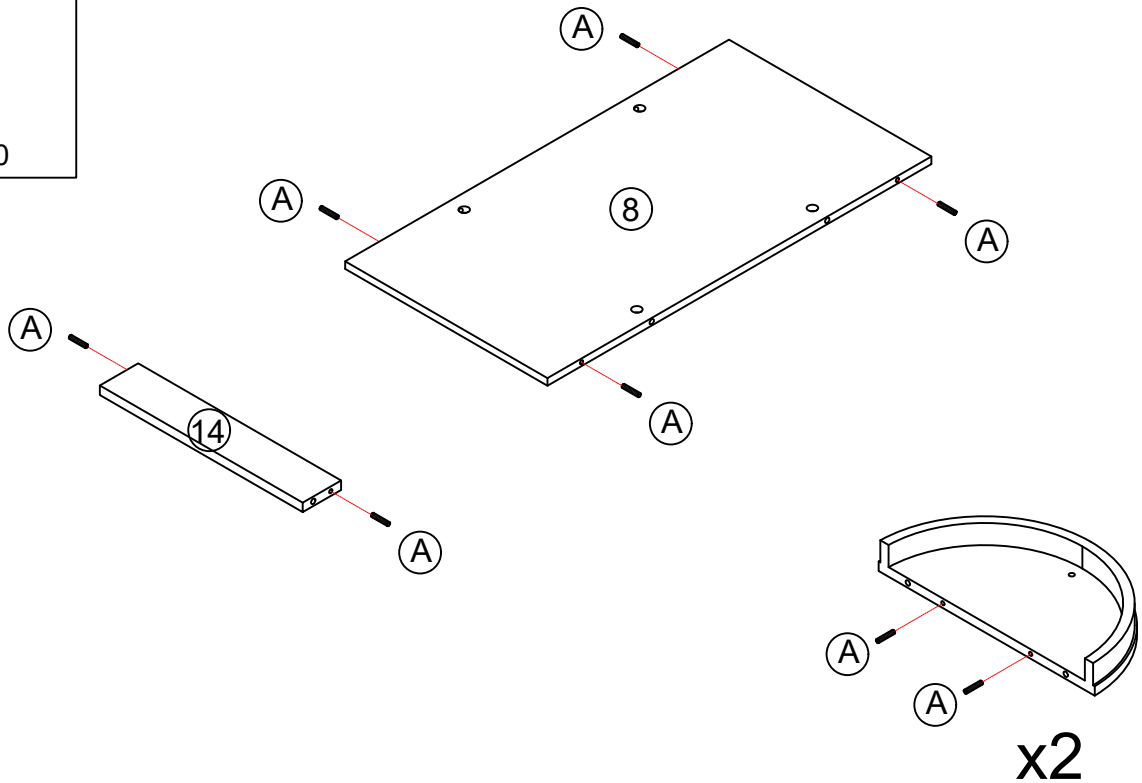
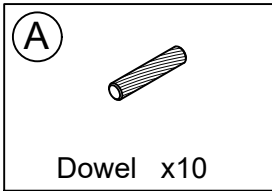
Ø20 x2



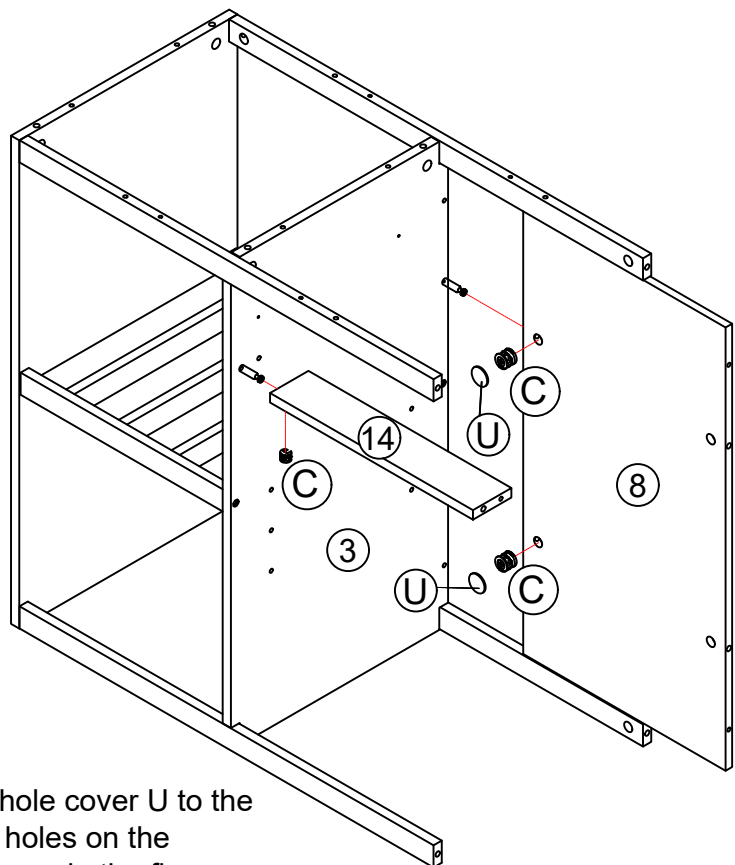
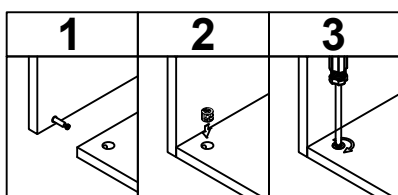
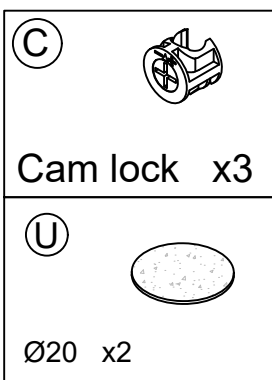
Attach the PVC hole cover U to the two CAM LOCK holes on the bottom front and rear crossbars as shown in the figure

# Assembly Instructions

## Step 9



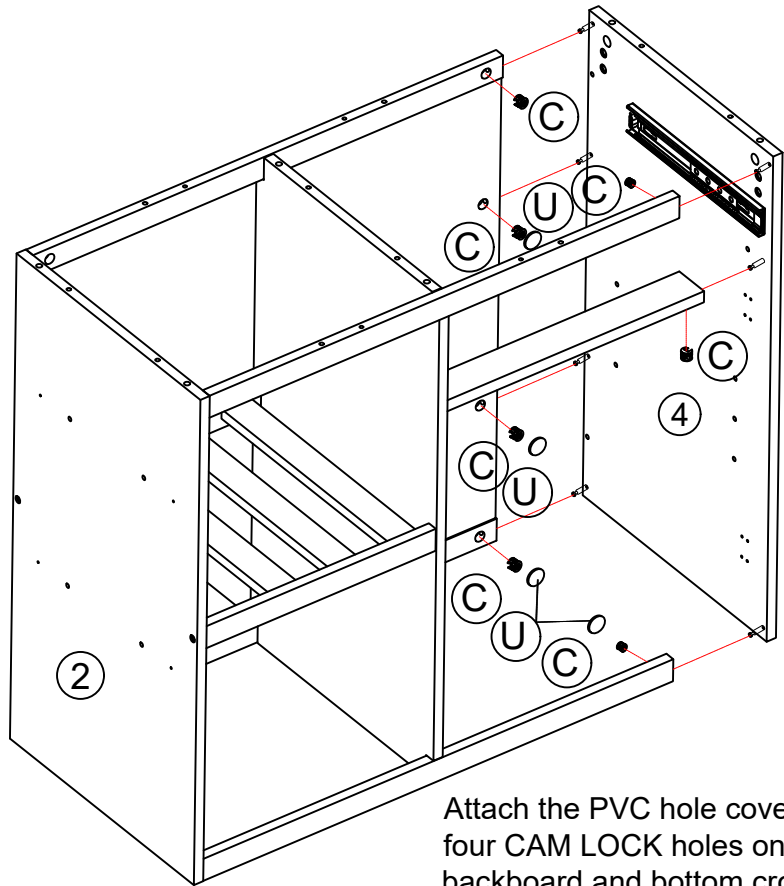
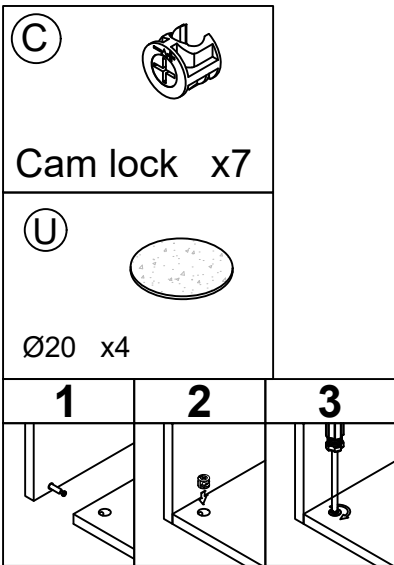
## Step 10



Attach the PVC hole cover U to the two CAM LOCK holes on the backboard as shown in the figure

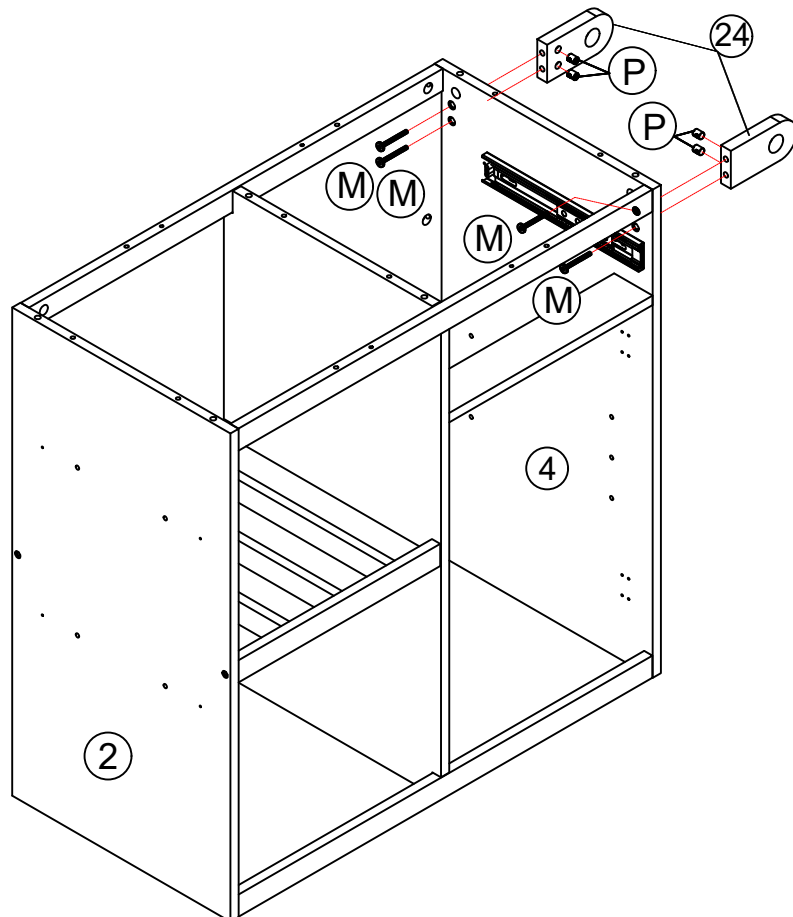
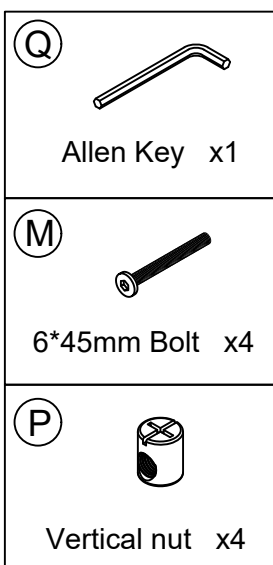
# Assembly Instructions

## Step 11



Attach the PVC hole cover U to the four CAM LOCK holes on the backboard and bottom crossbar as shown in the figure

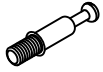
## Step 12



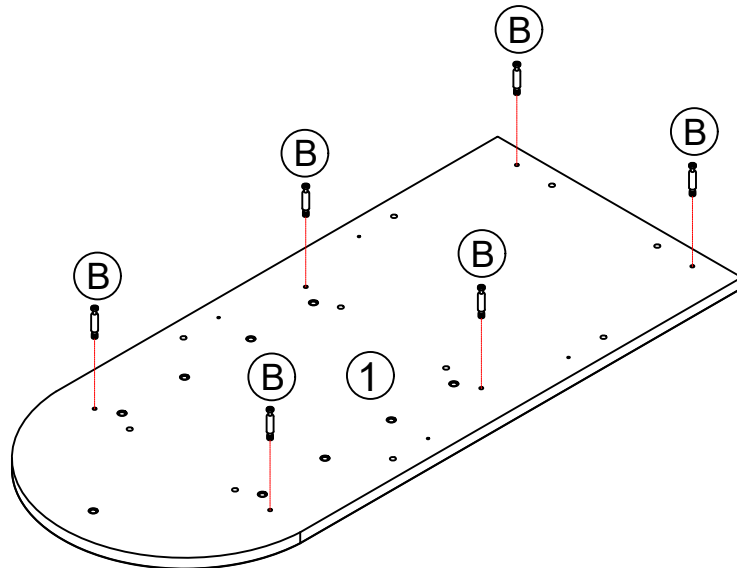
# Assembly Instructions

## Step 13

(B)



Cam Bolt x6



## Step 14

(C)

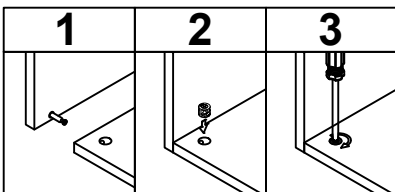
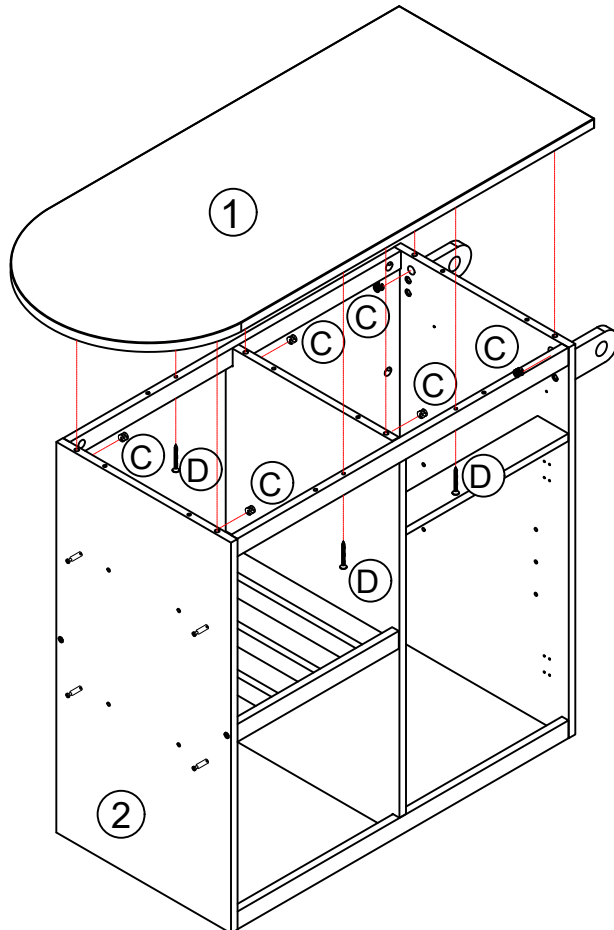


Cam lock x6

(D)

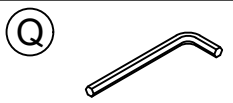


4\*35mm Screw x3

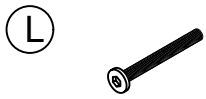


# Assembly Instructions

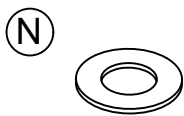
## Step 15



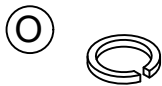
Allen Key x1



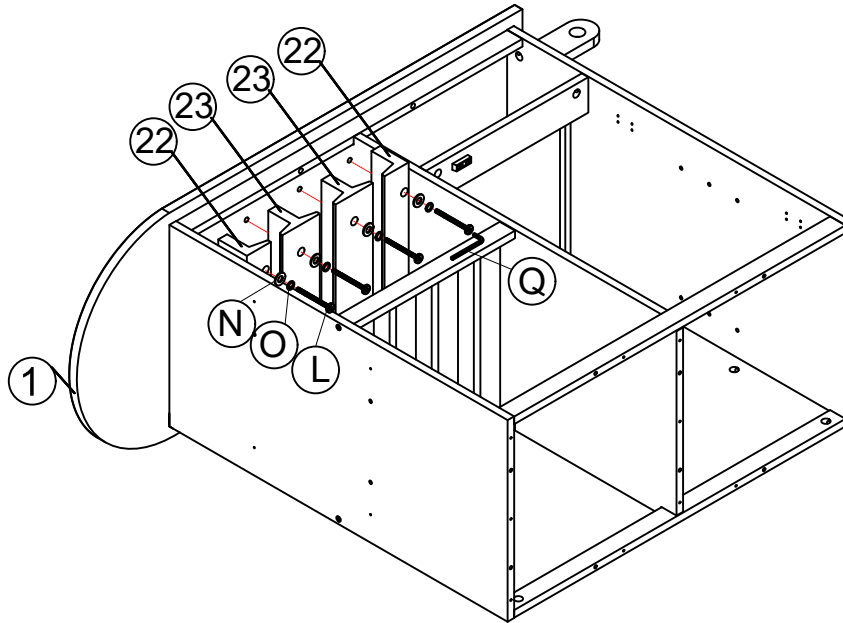
6\*63mm Bolt x8



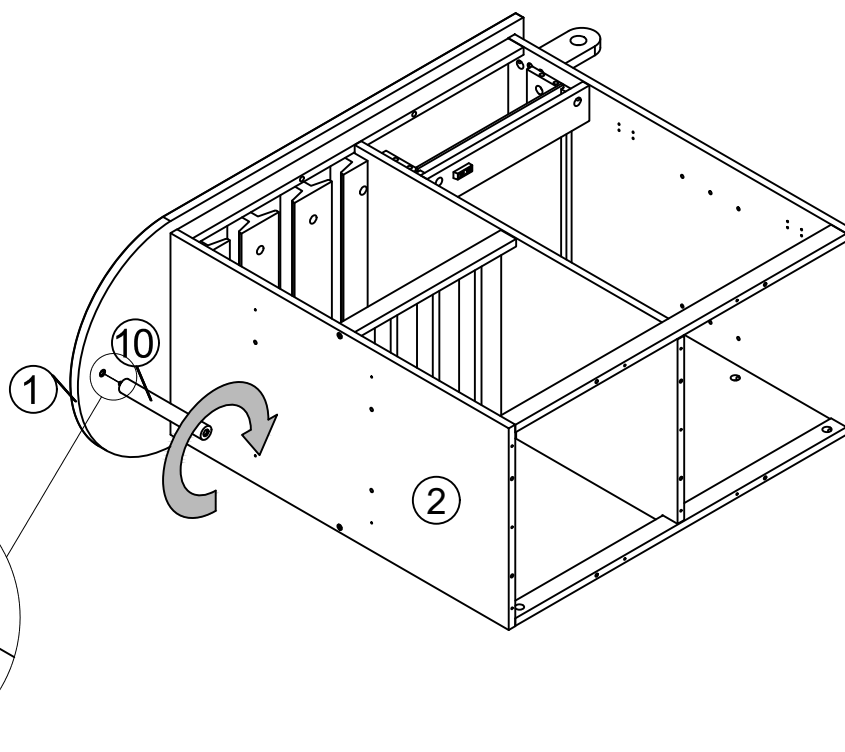
Flat Washer x8



Lock Washer x8

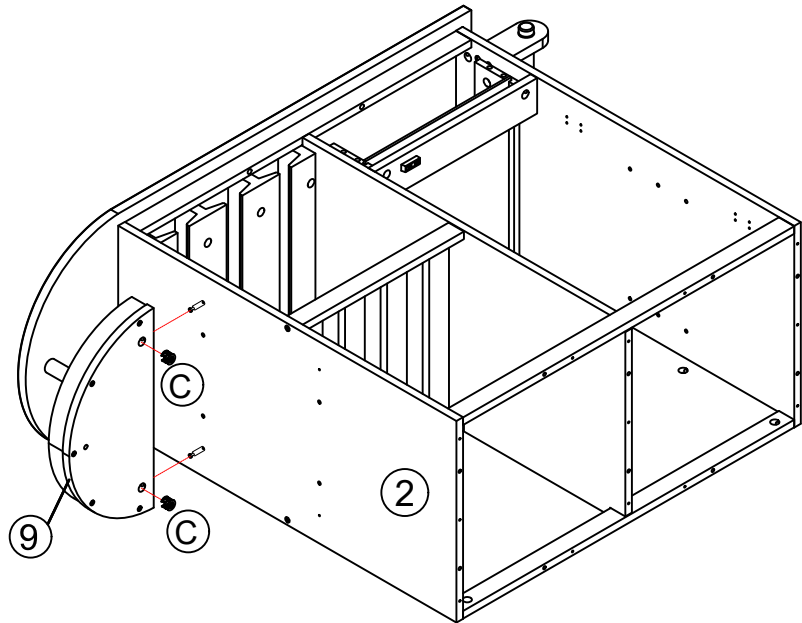
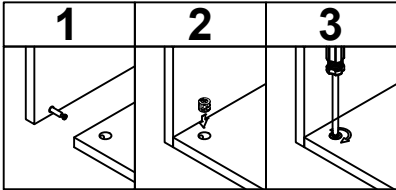
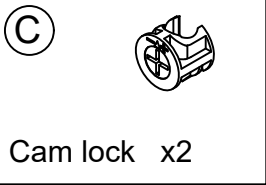


## Step 16

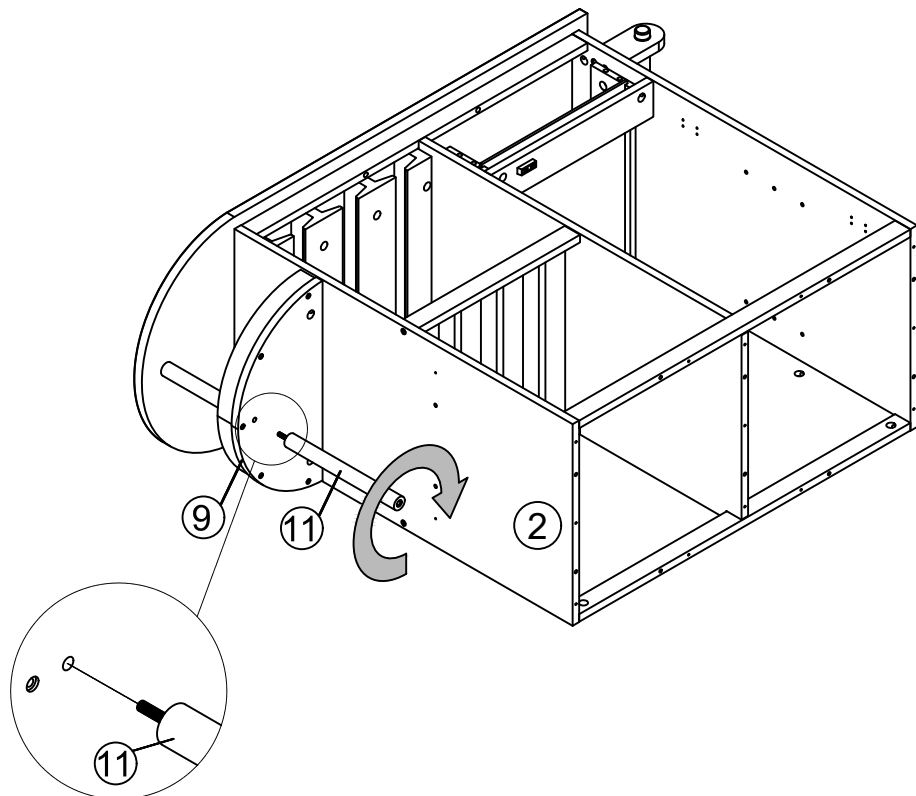


# Assembly Instructions

## Step 17

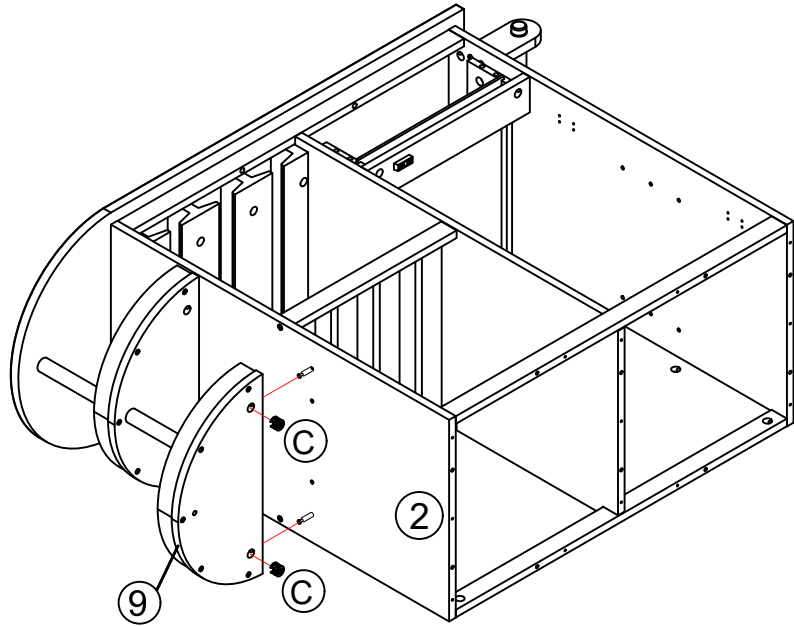
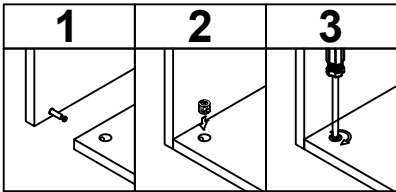
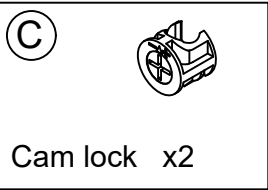


## Step 18

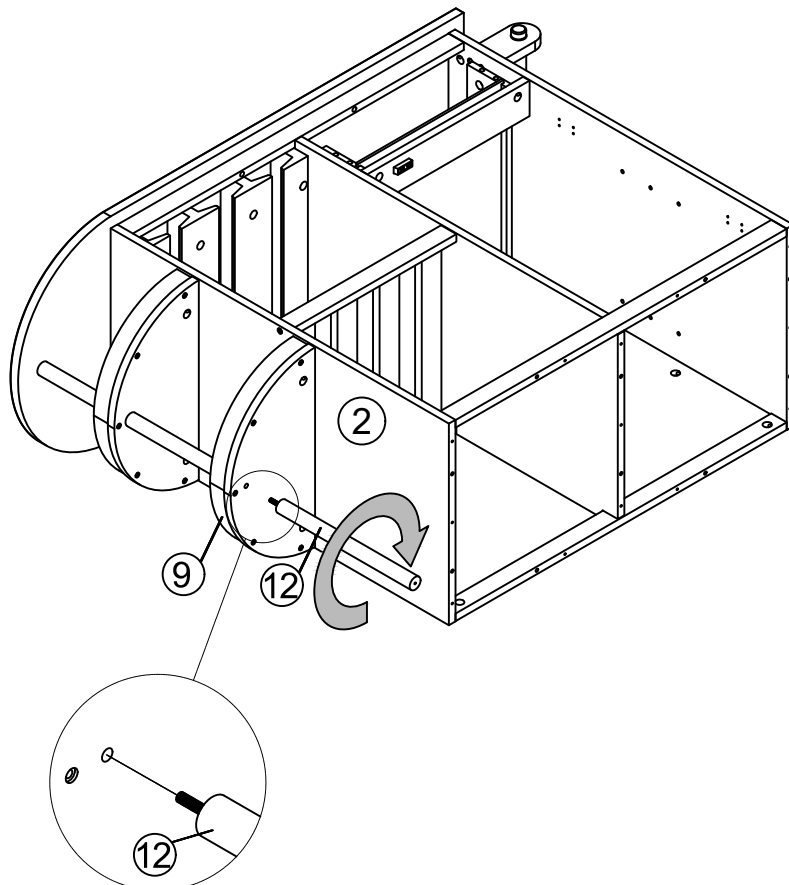


# Assembly Instructions

## Step 19



## Step 20



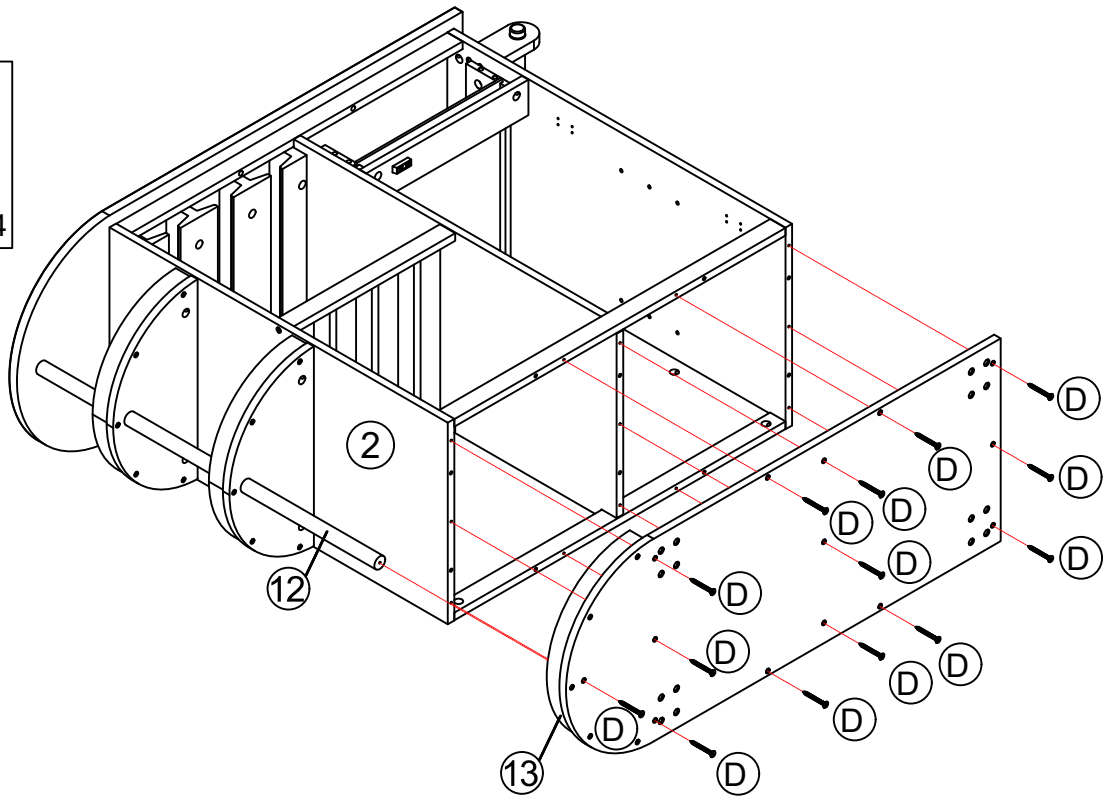
# Assembly Instructions

## Step 21

(D)



4\*35mm Screw x14



## Step 22

(Q)



Allen Key x1

(R)



Caster x2

(S)

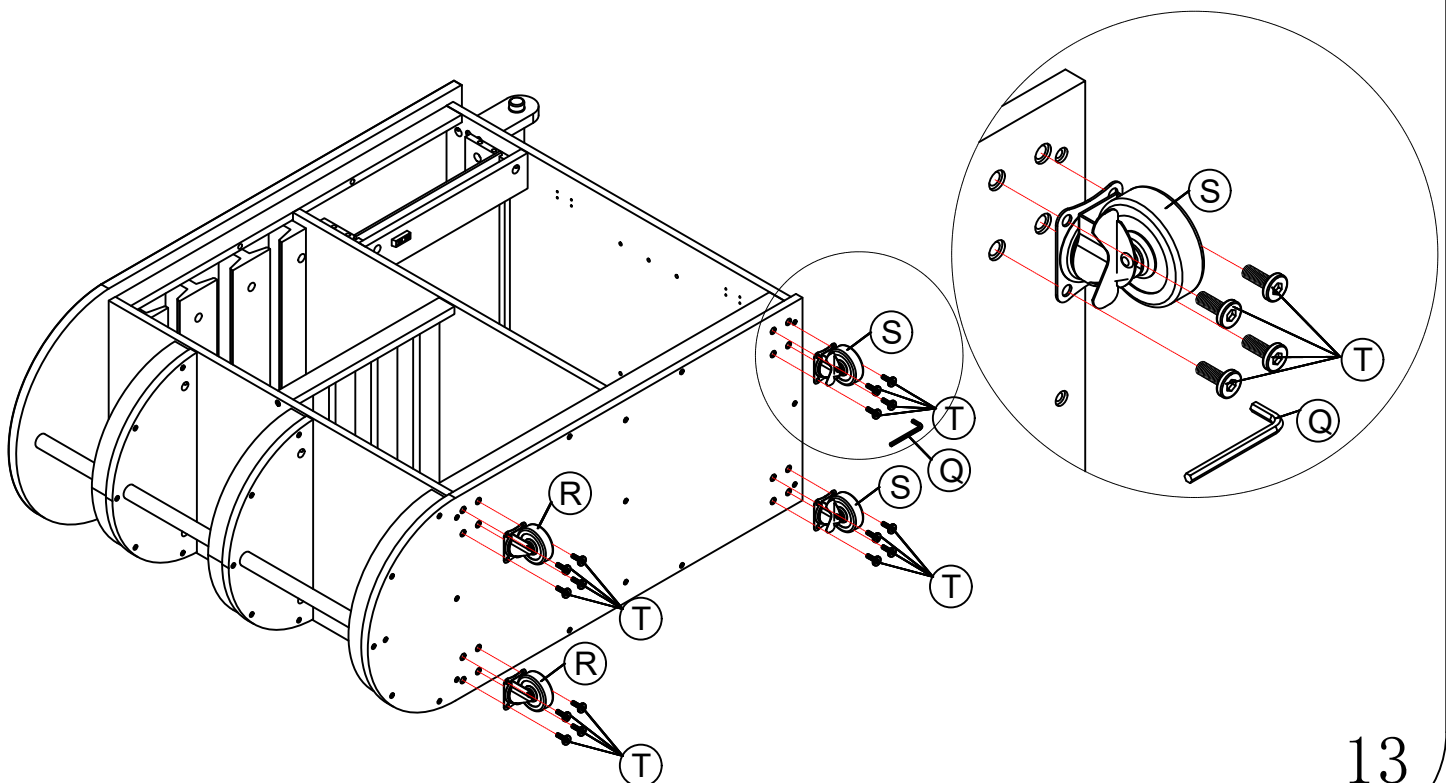


Locking Caster x2

(T)



6\*12mm Bolt x16



# Assembly Instructions

## Step 23

(G)

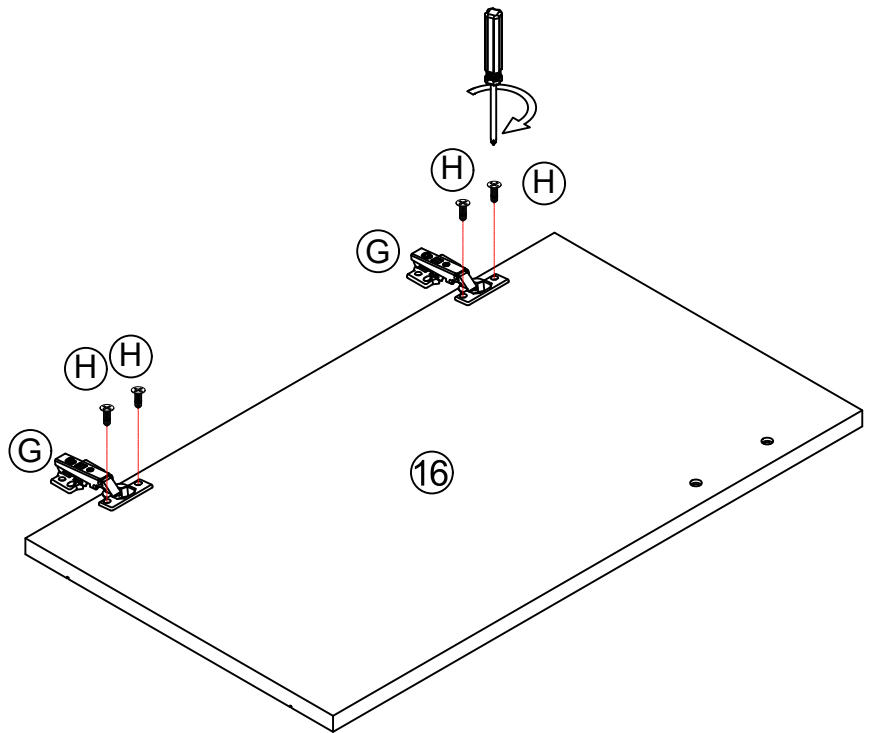


Door Hinge x2

(H)



3.5\*14mm Screw x4



## Step 24

(H)



3.5\*14mm Screw x8

(E)

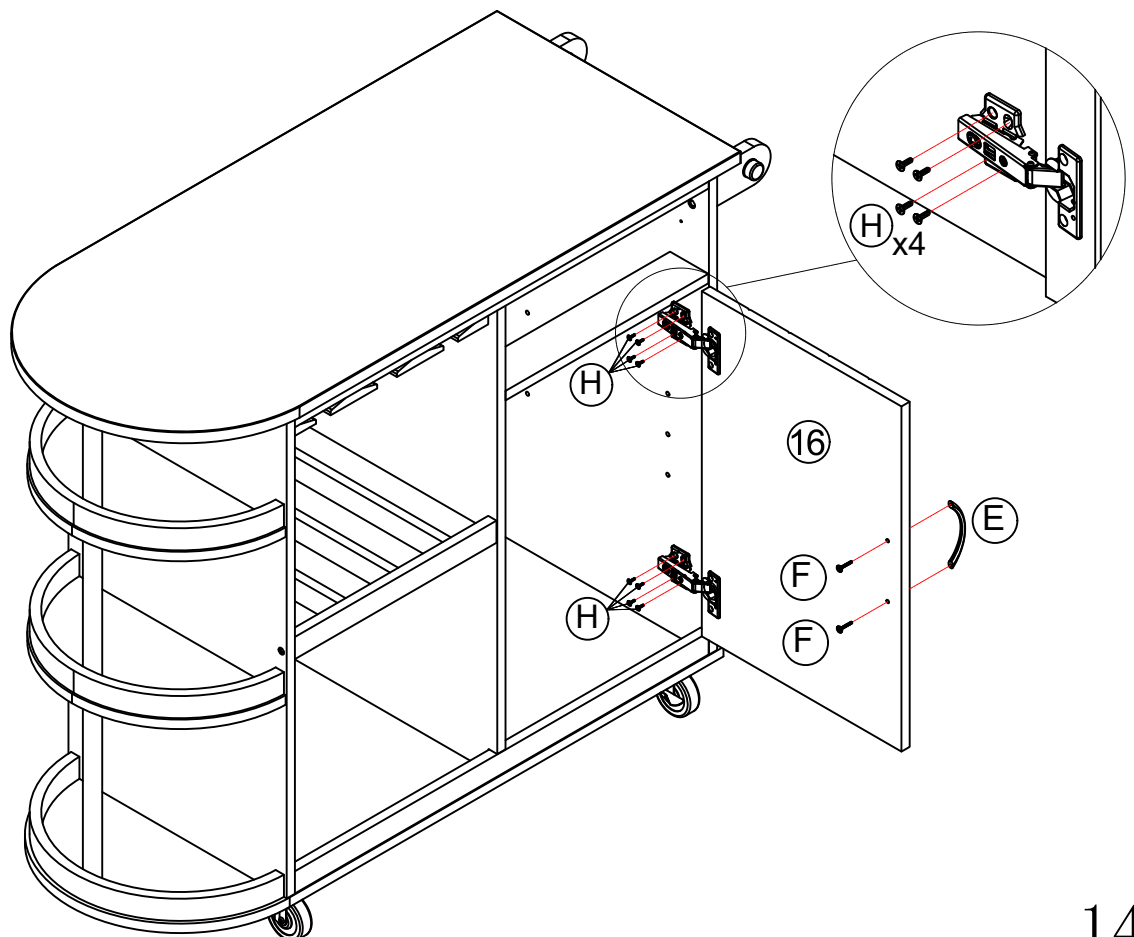


Handle x1

(F)



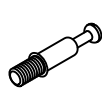
4\*18mm Bolt x2



# Assembly Instructions

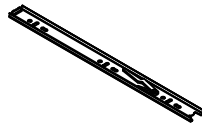
## Step 25

(B)



Cam Bolt x4

(J2)

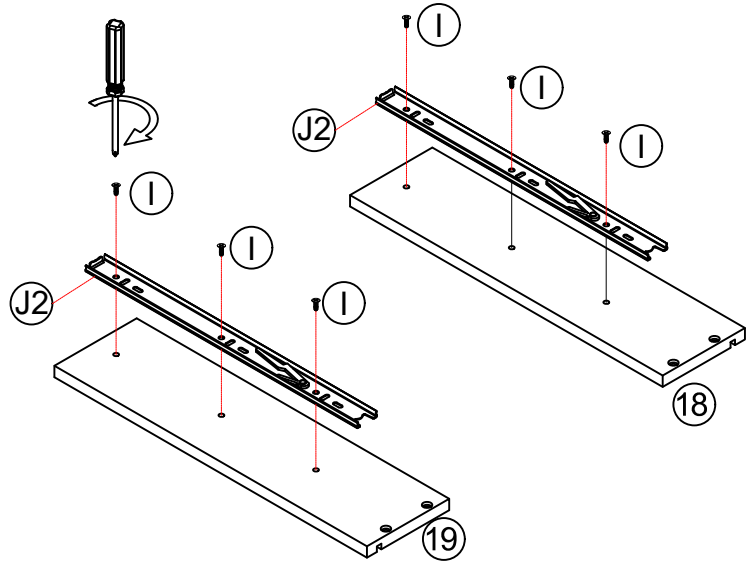
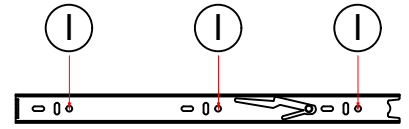
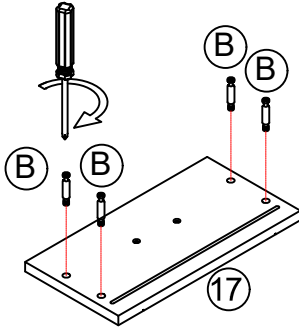


Drawer slide 12" x2

(I)



3.0\*12mm Screw x6

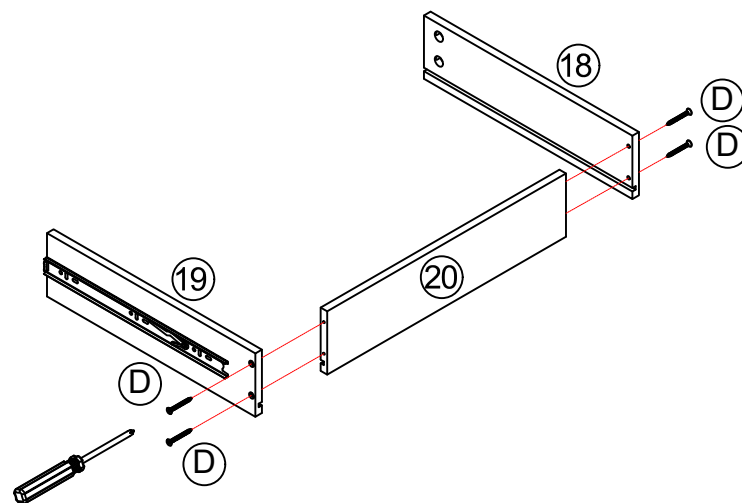


## Step 26

(D)



4\*35mm Screw x4



# Assembly Instructions

## Step 27

(E)



Handle x1

(F)



4\*18mm Bolt x2

(C)

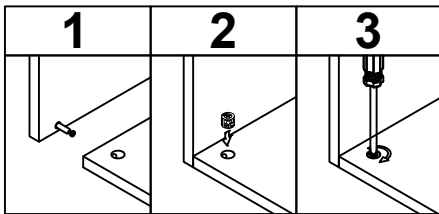
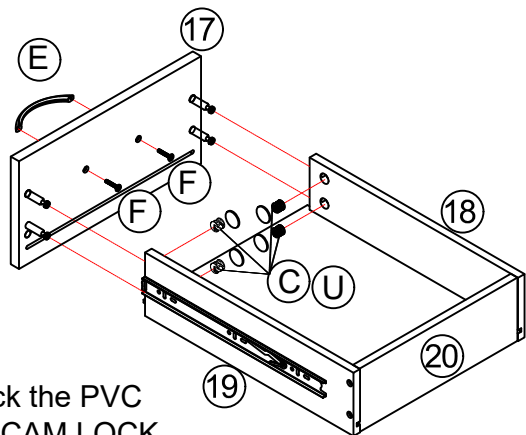
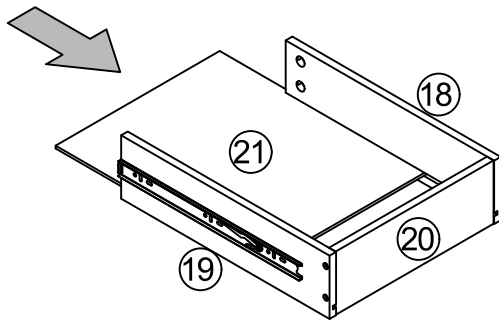


Male Camlock x4

(U)

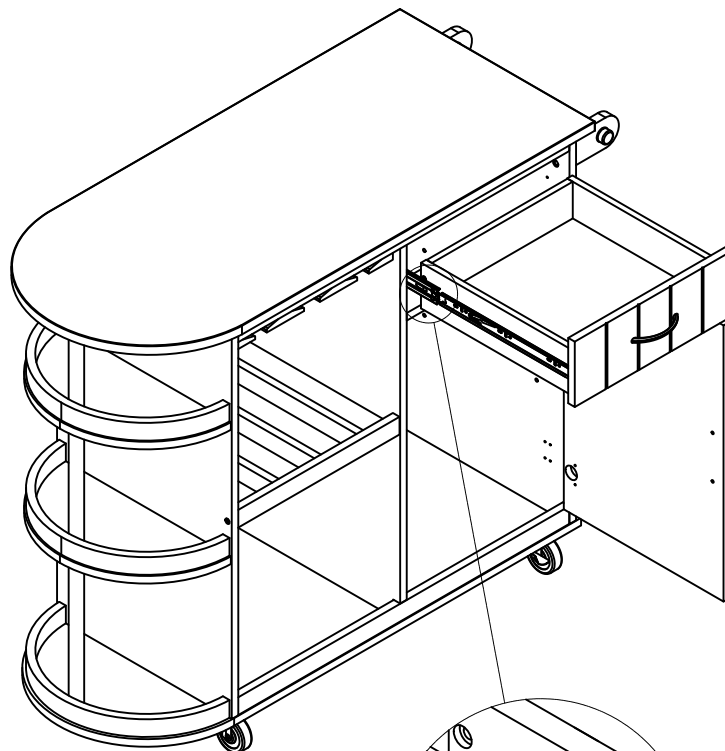
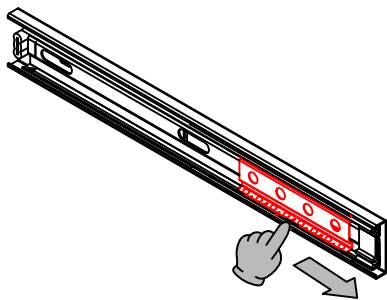


Ø20 x4



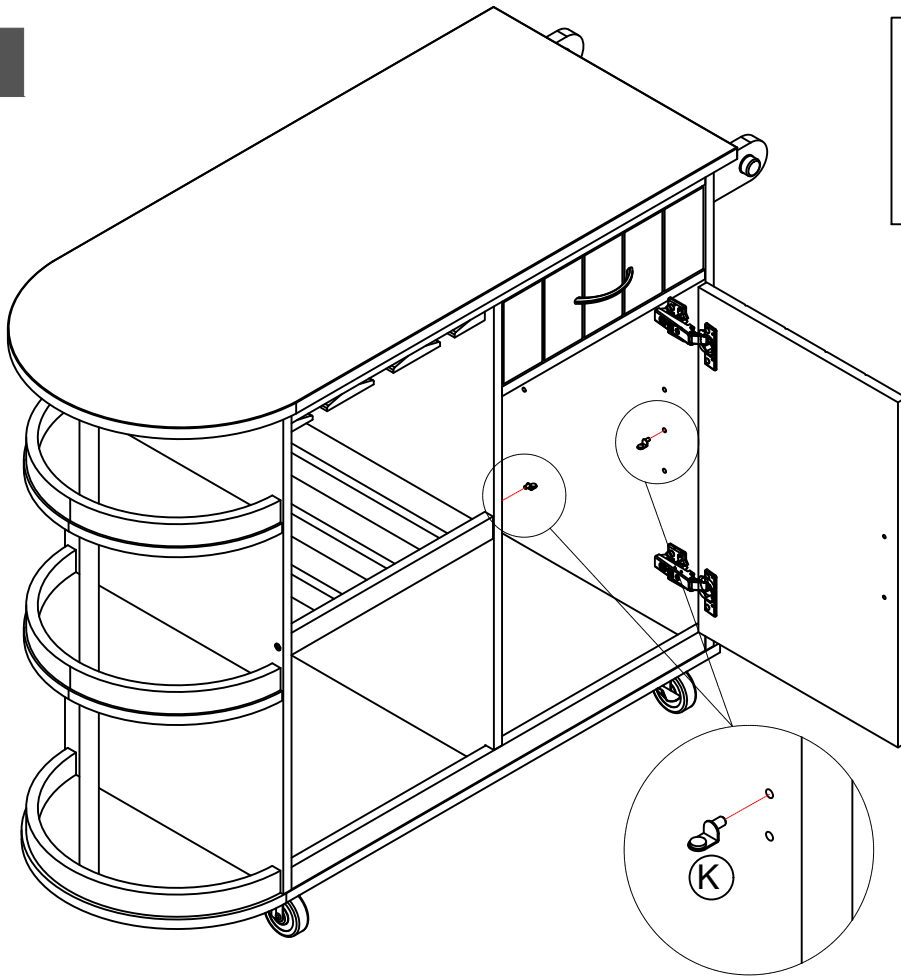
As shown in the figure, stick the PVC hole cover U onto the four CAM LOCK holes on the inside of the drawer

## Step 28



# Assembly Instructions

Step 29



(K)



Shelf Support Pin x4

Step 30

