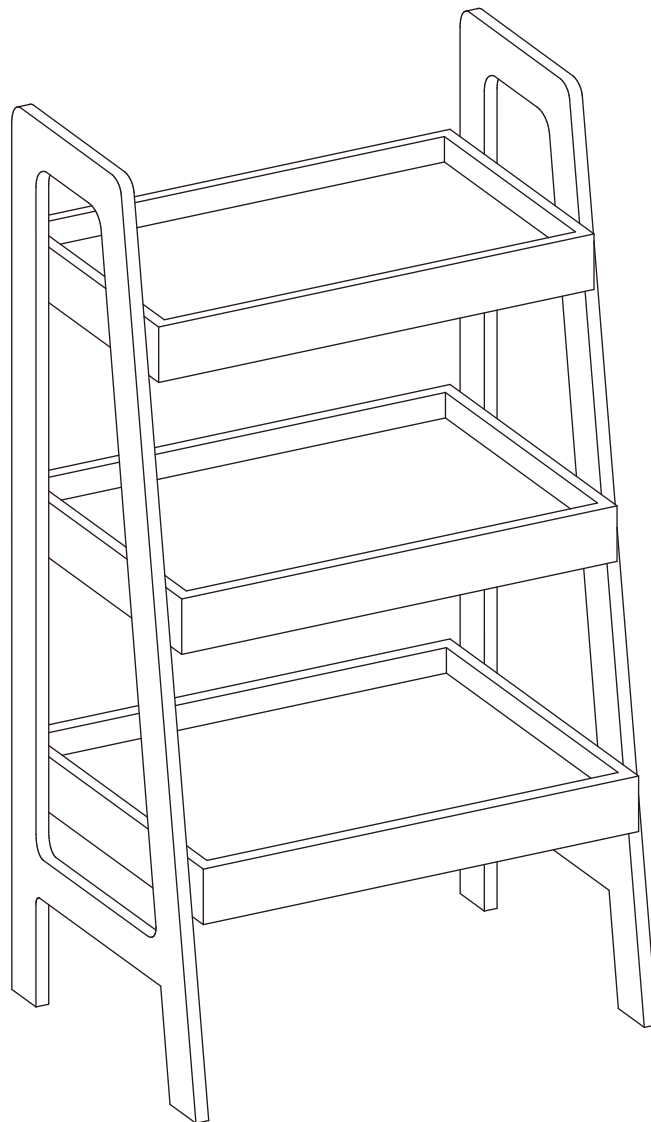
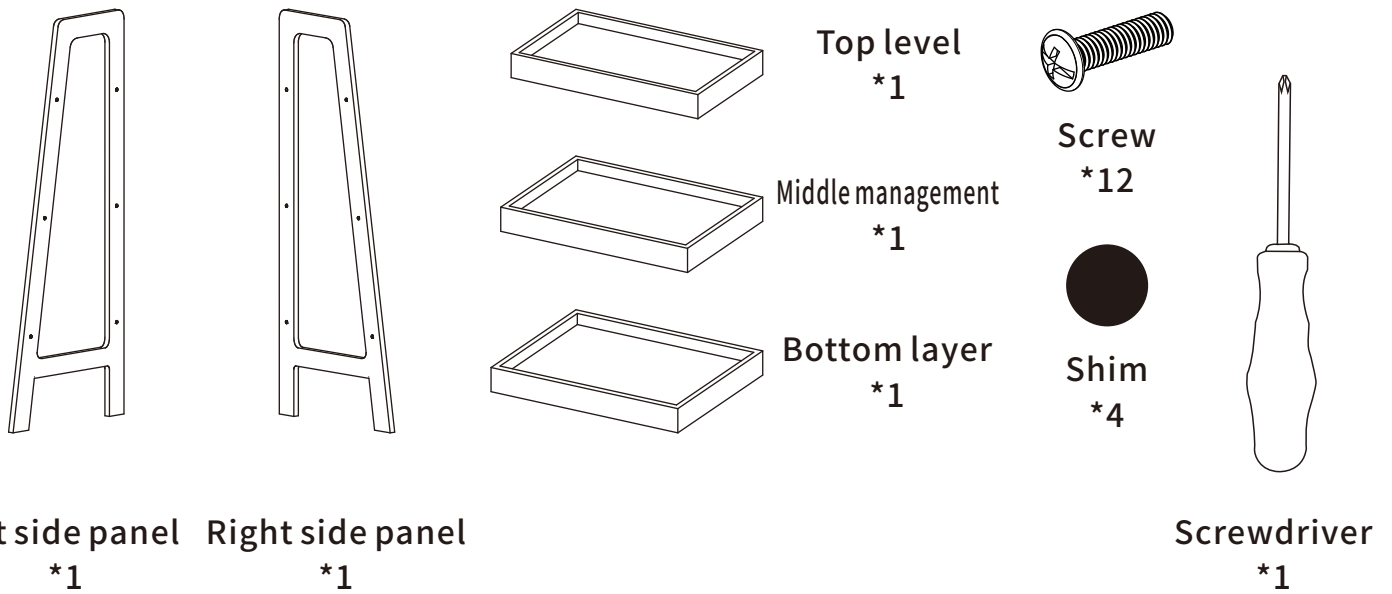


Ladder Shelf Assembly Instructions

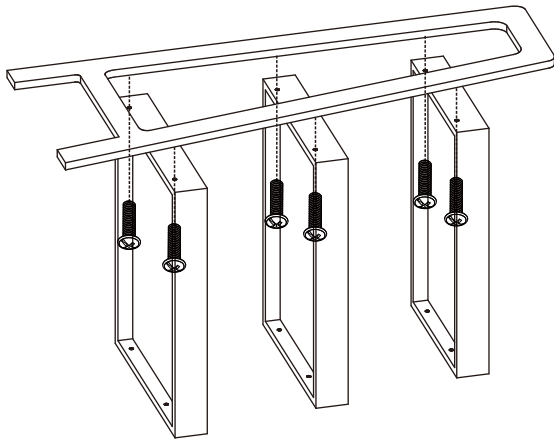


Parts drawing:

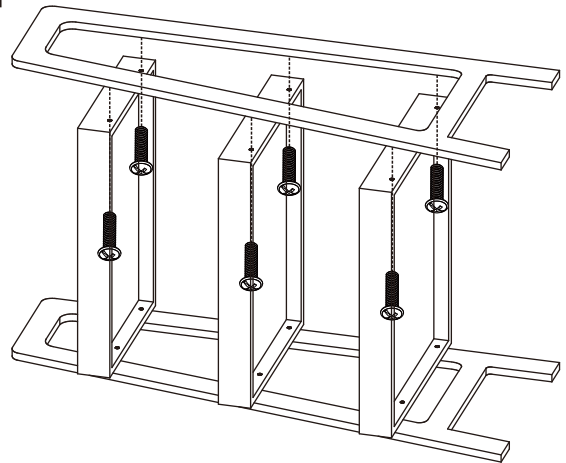


Installation steps:

Step-1

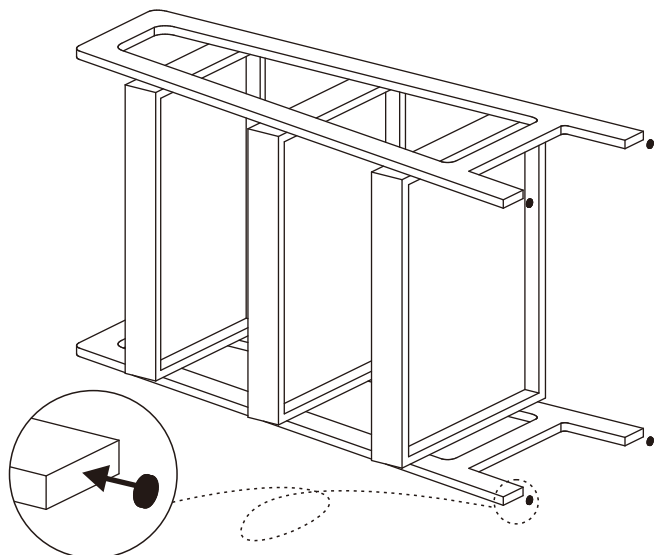


Step-2



Tighten the screws according to the corresponding holes on the inside of the bottom of the tray.

Step-3



Step-4

