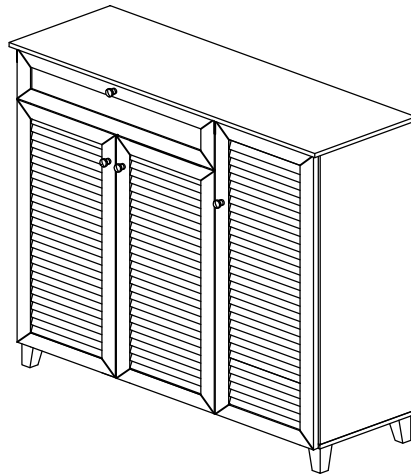
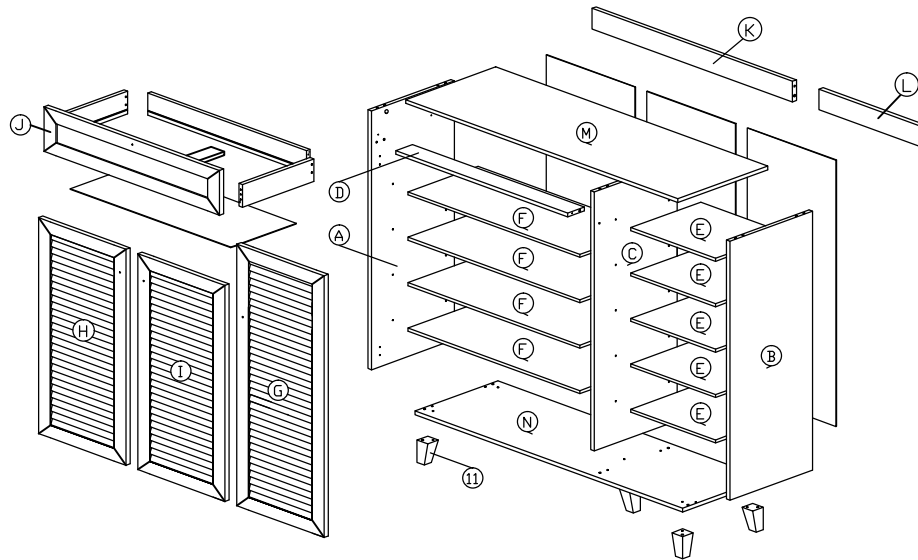


Assembly Instruction



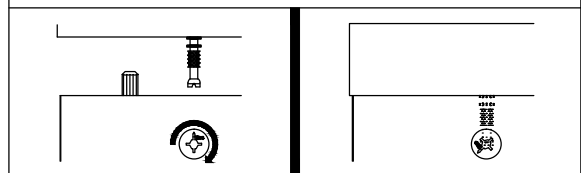
Part List



Hardware List			
1		8x25mm Dowel	27Pcs
2		(15MM) Titus Mini Fix	9Sets
3		M3.5x15mm Screw	4Pcs
4		M4x38mm Screw	17Pcs
5		M7x40mm Screw	5Pcs
6		TP 10#x1/2" Screw	24Pcs
7		Hinges (012)F	6Sets
8		M5x16 Shelf Support	36Pcs
9		Drawer Slide = 300mm	1Set

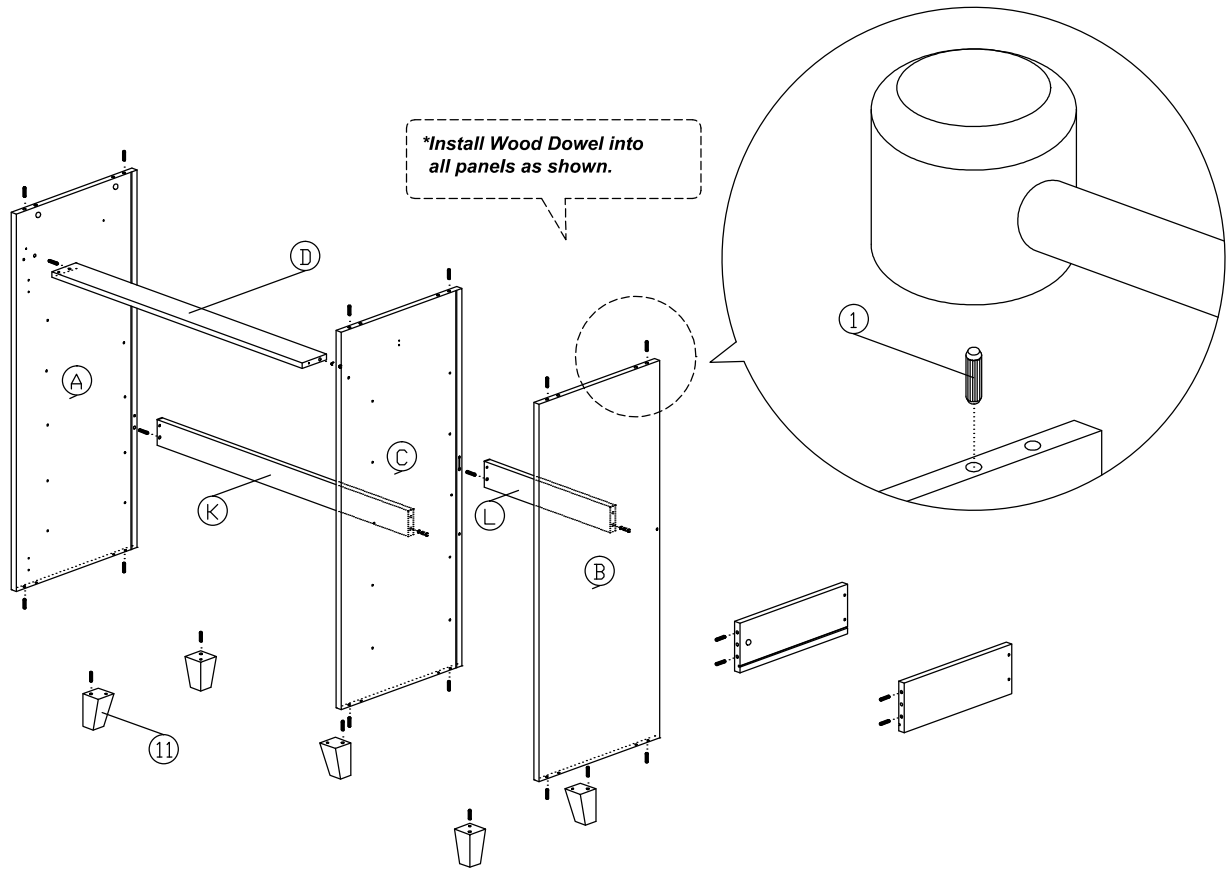
10		M5x8mm Screw (Euro Screw)	4Pcs
11		Wooden Leg	5Pcs
12		Handle (9988) M4x25mm Handle Screw	4Sets
13		Allen Key	1Pc
14		Z Bracket(Big)	4Pcs
15		M3 x 16mm Screw	8Pcs
16		Screw Cap	3Pcs
17		15mm Minifix Cap	2Pcs

Dowel / Cam - Lock Installation



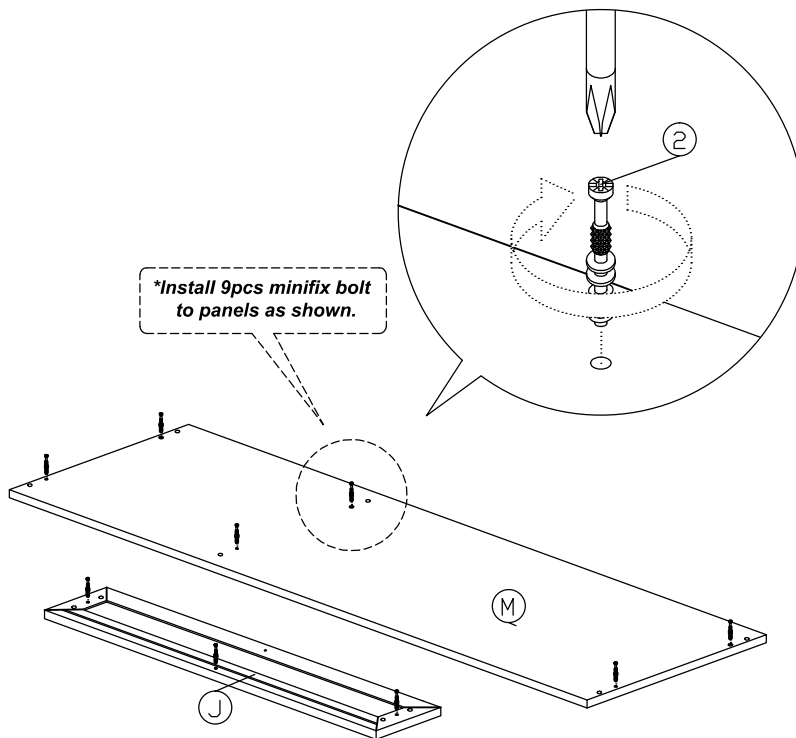
Assembly Instruction


Step 1



1		27Pcs
---	---	-------

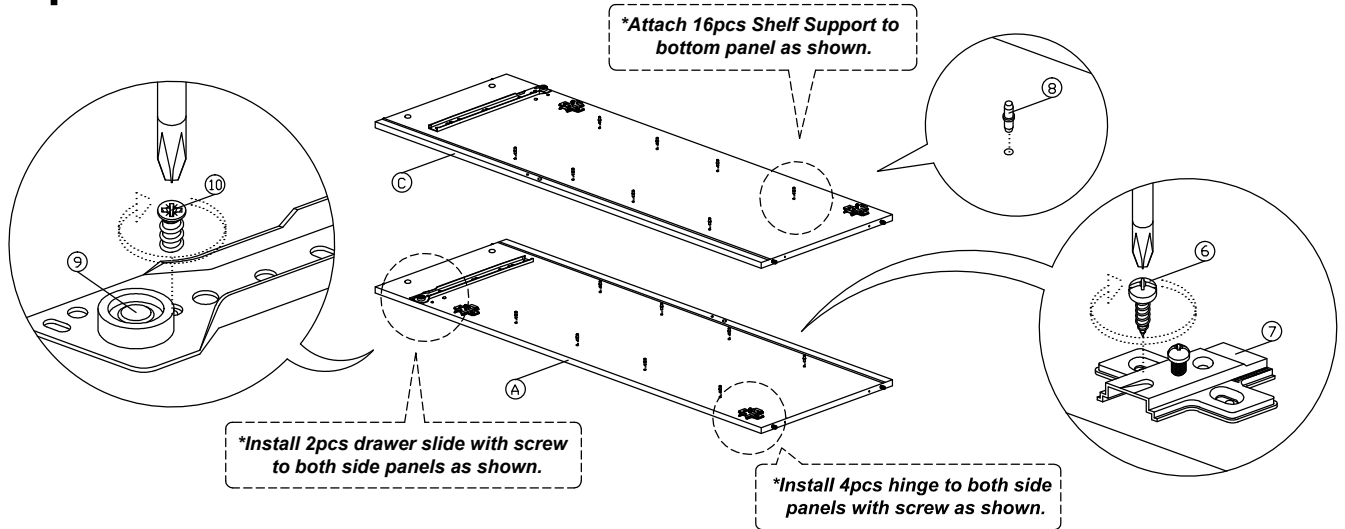
Step 2



2		9Pcs
---	---	------

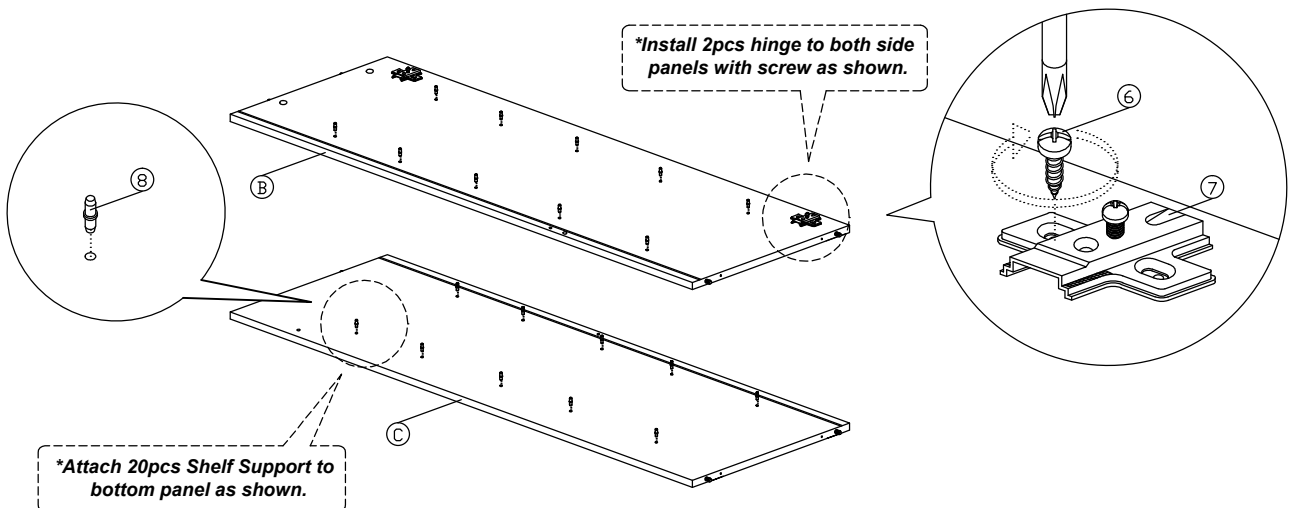
Assembly Instruction

Step 3



6		8Pcs
7		4Pcs
8		16Pcs
9		2Pcs
10		4Pcs

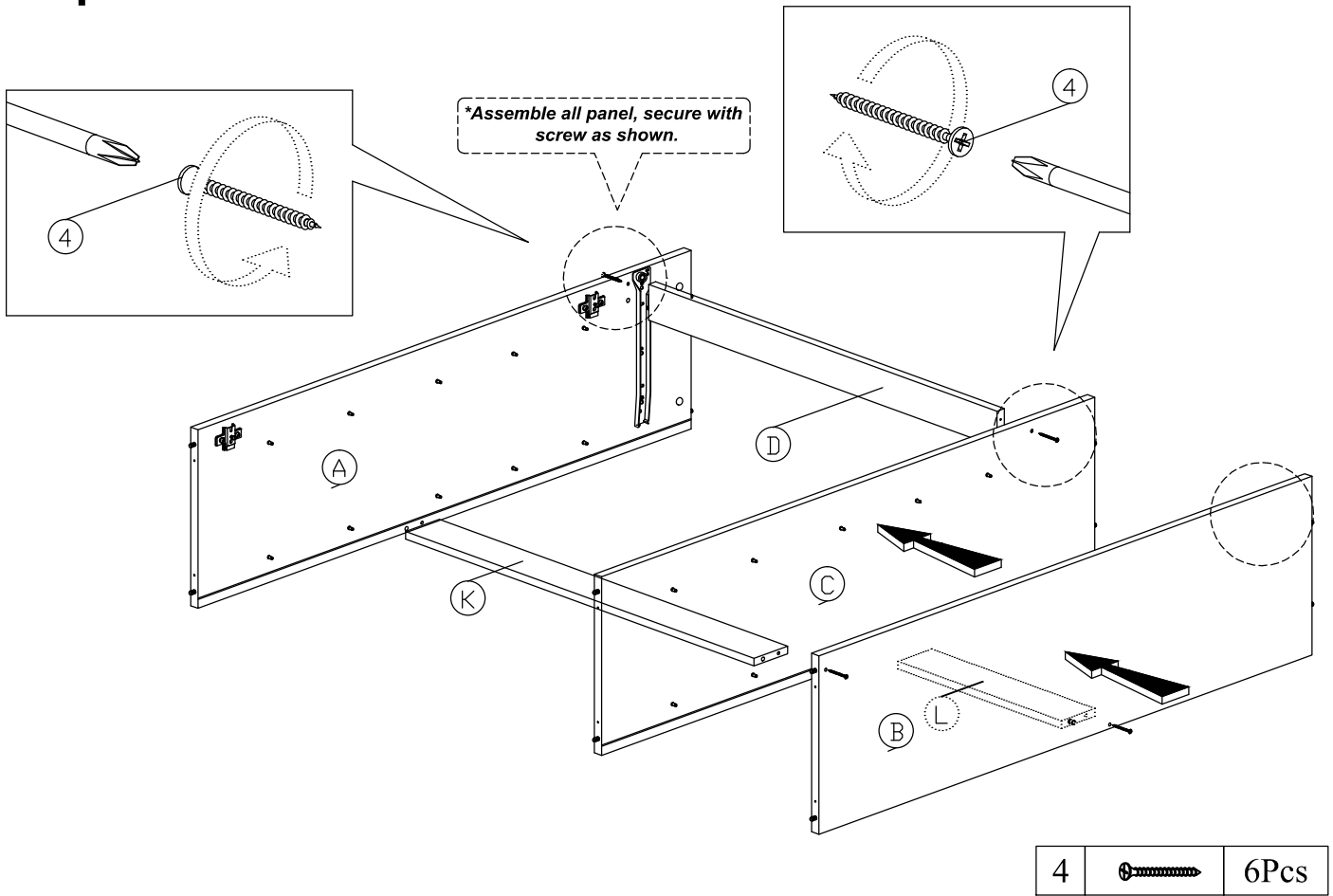
Step 4



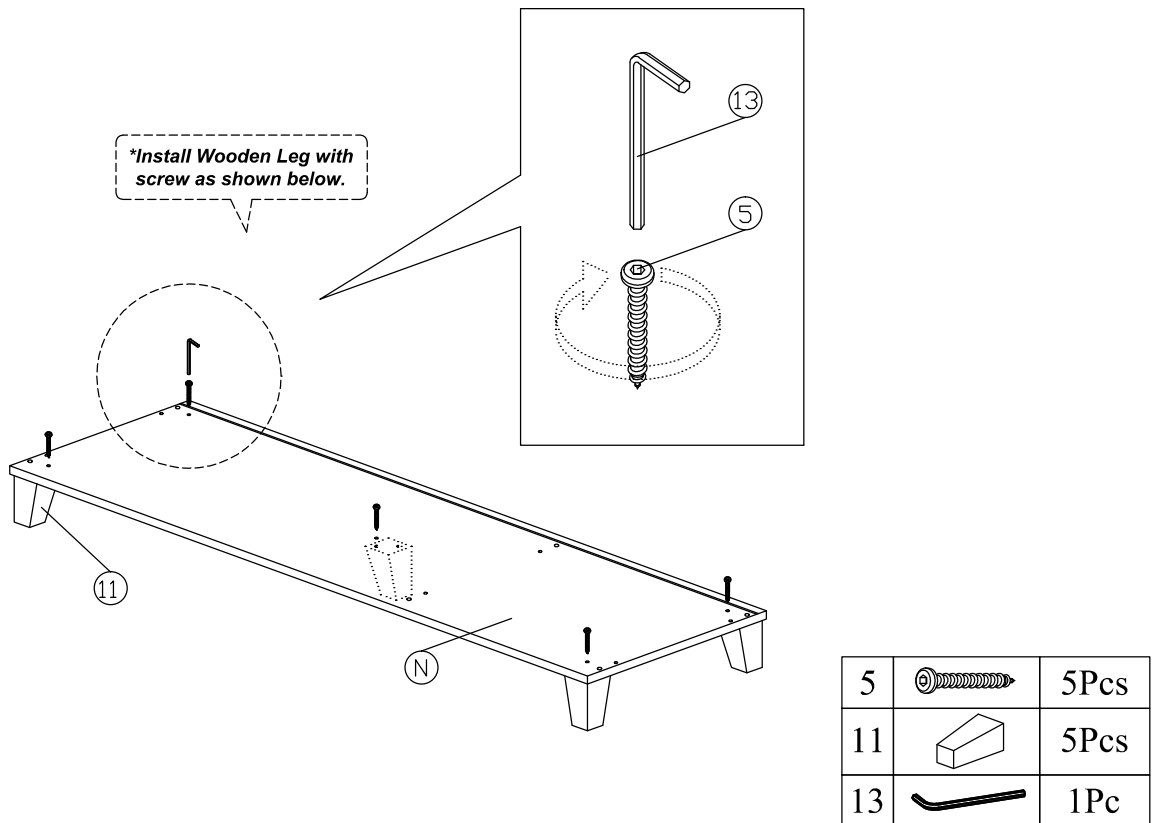
6		4Pcs
7		2Pcs
8		20Pcs

Assembly Instruction

Step 5

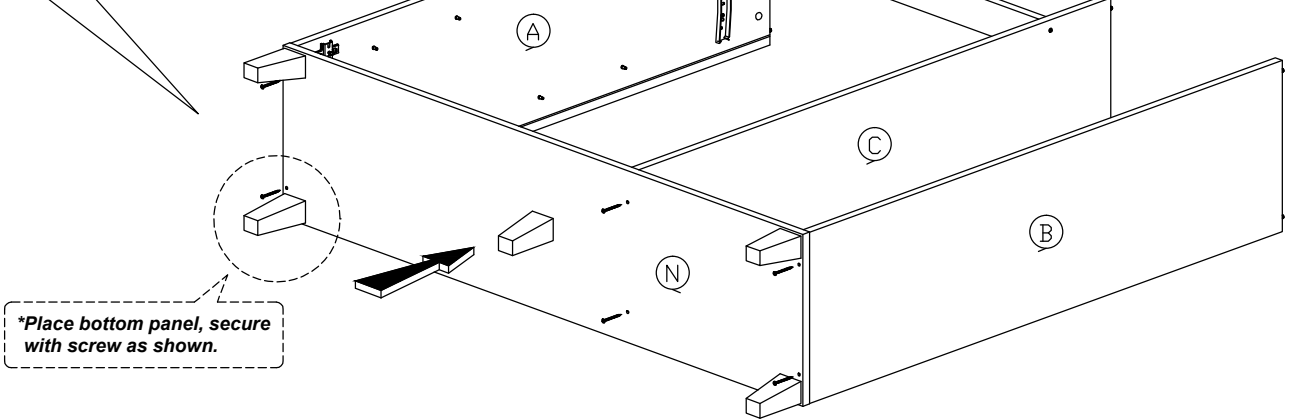
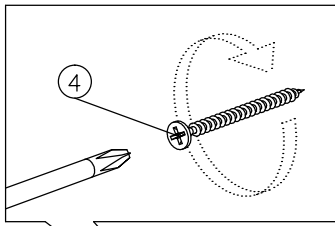



Step 6



Assembly Instruction

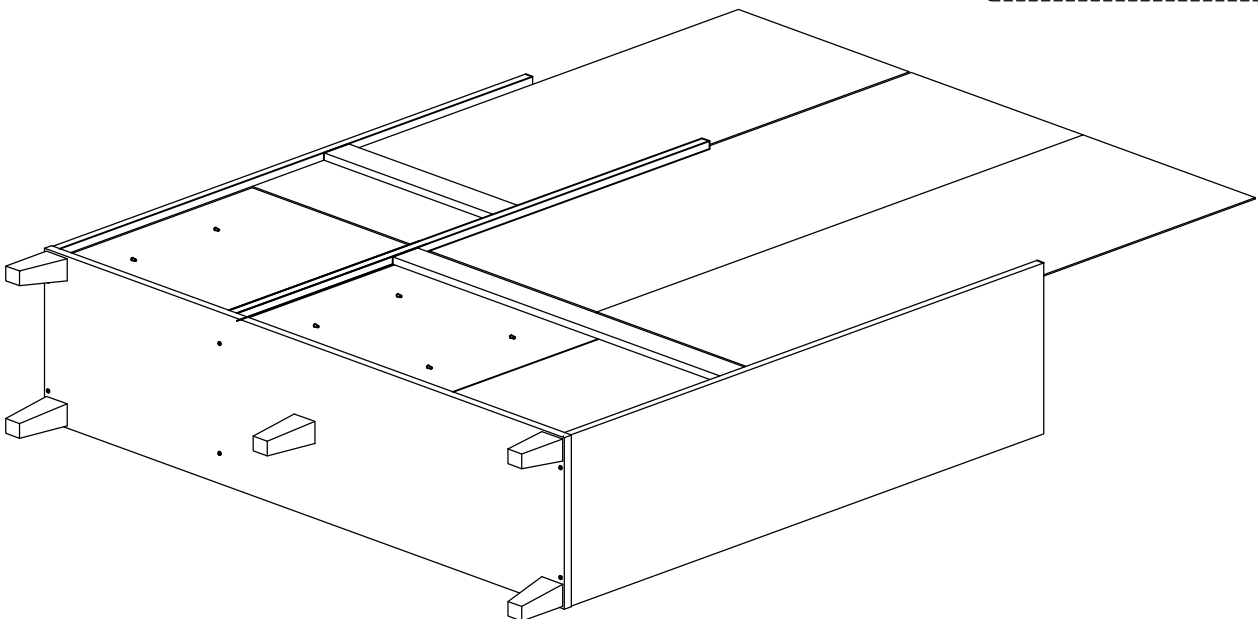
Step 7



4		6Pcs
---	---	------

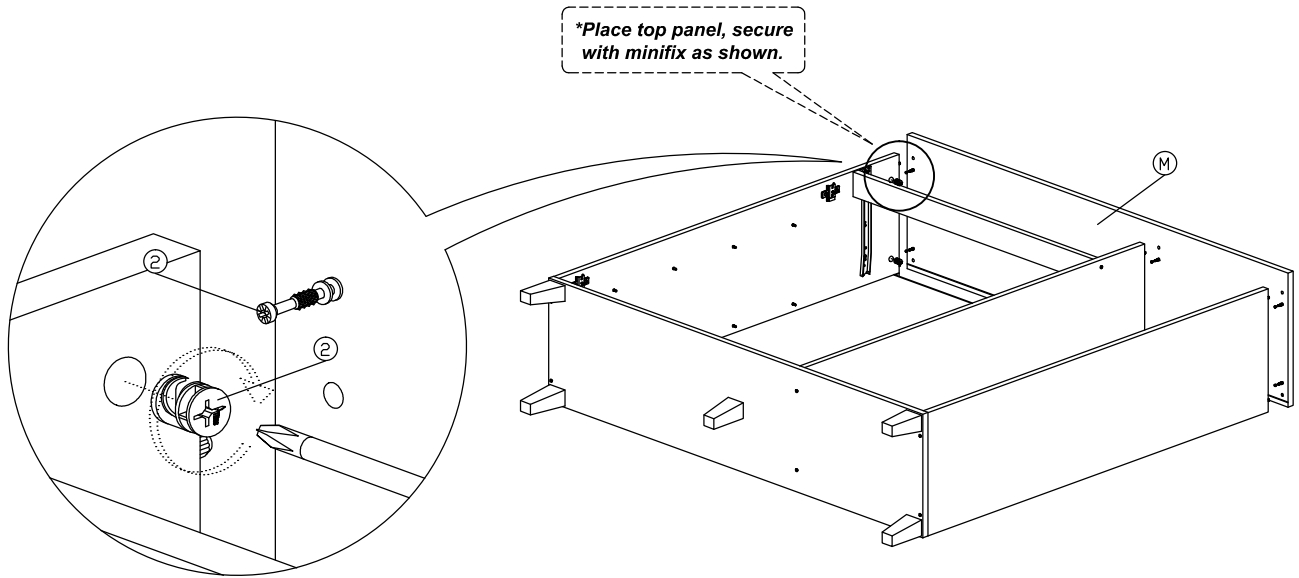
Step 8

**Insert back panel as shown below.*



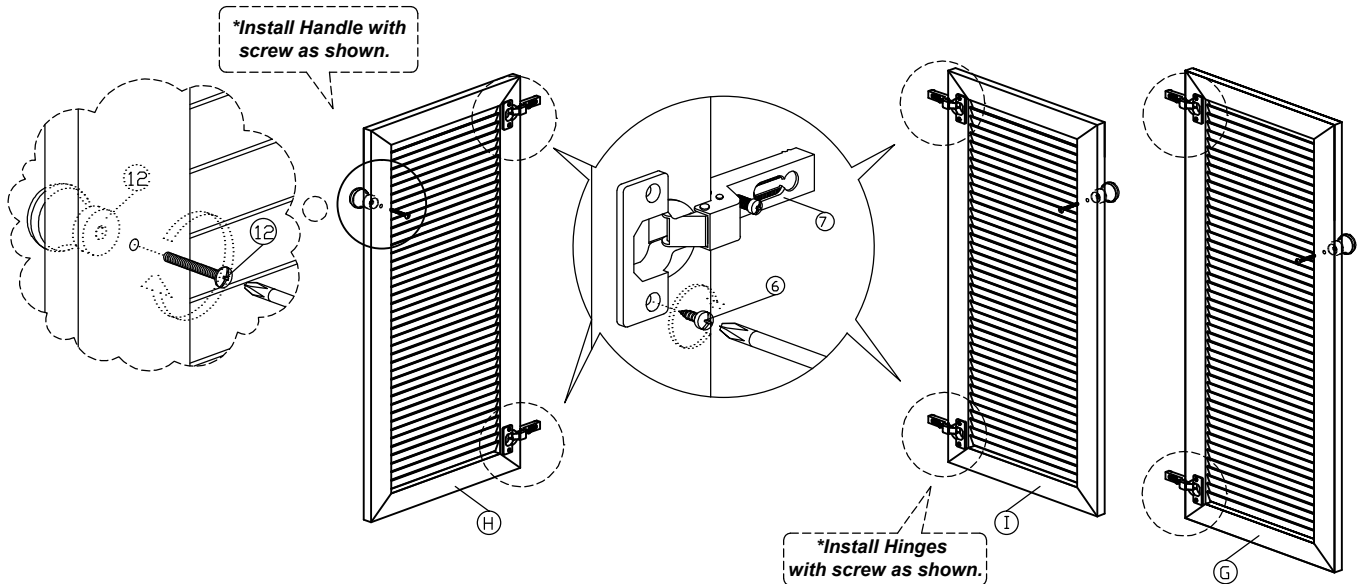
Assembly Instruction

Step 9



2		6Pcs
---	--	------

Step 10

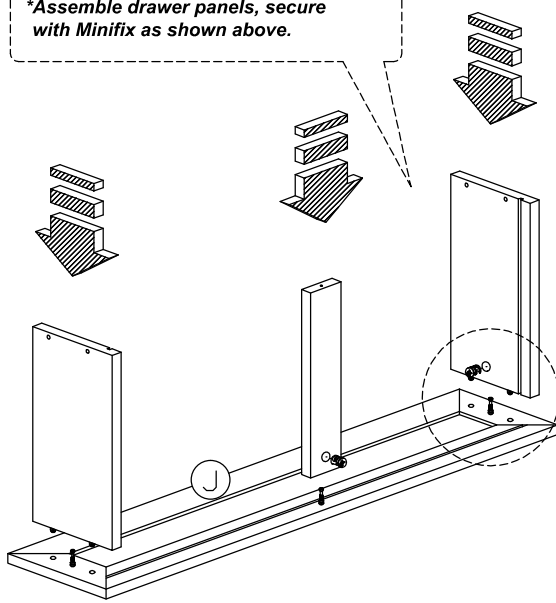


6		12Pcs
7		6Pcs
12		3Sets

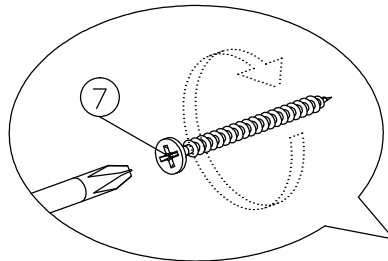
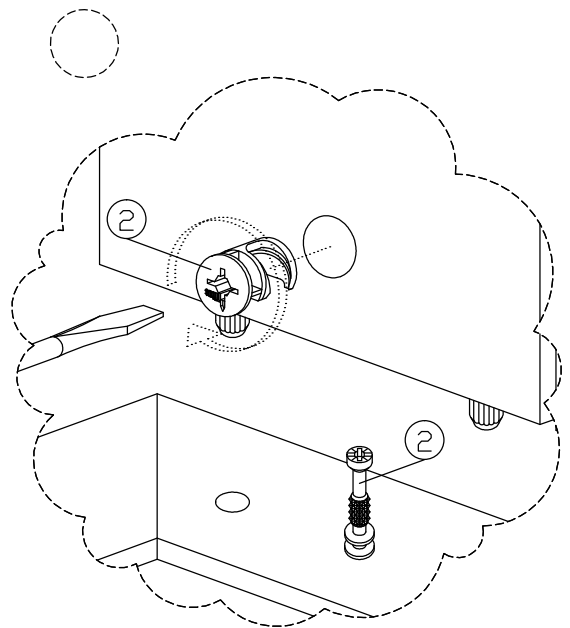
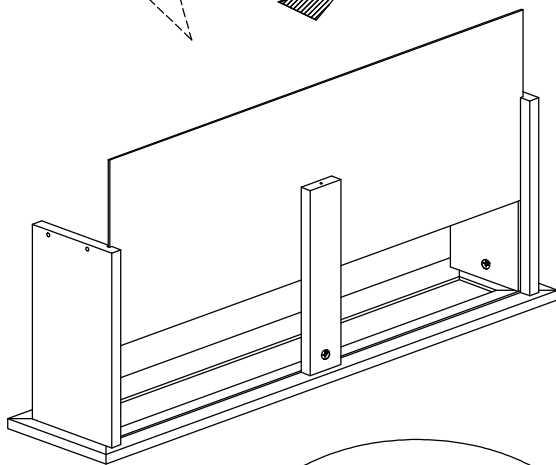
Assembly Instruction

Step 11

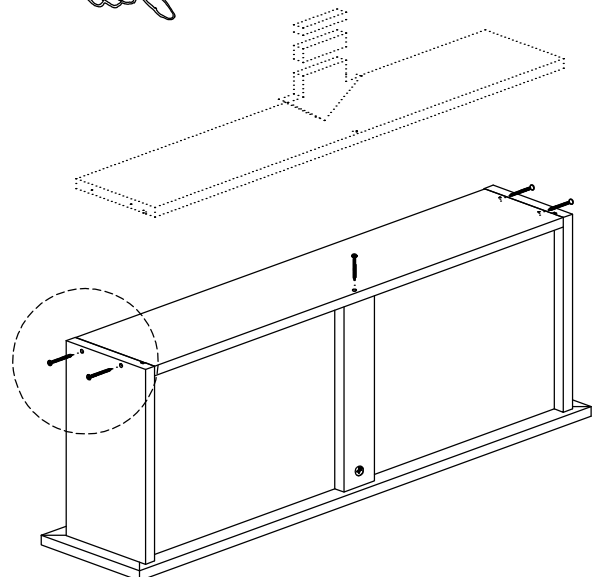
**Assemble drawer panels, secure with Minifix as shown above.*





**Insert drawer bottom as shown below.*



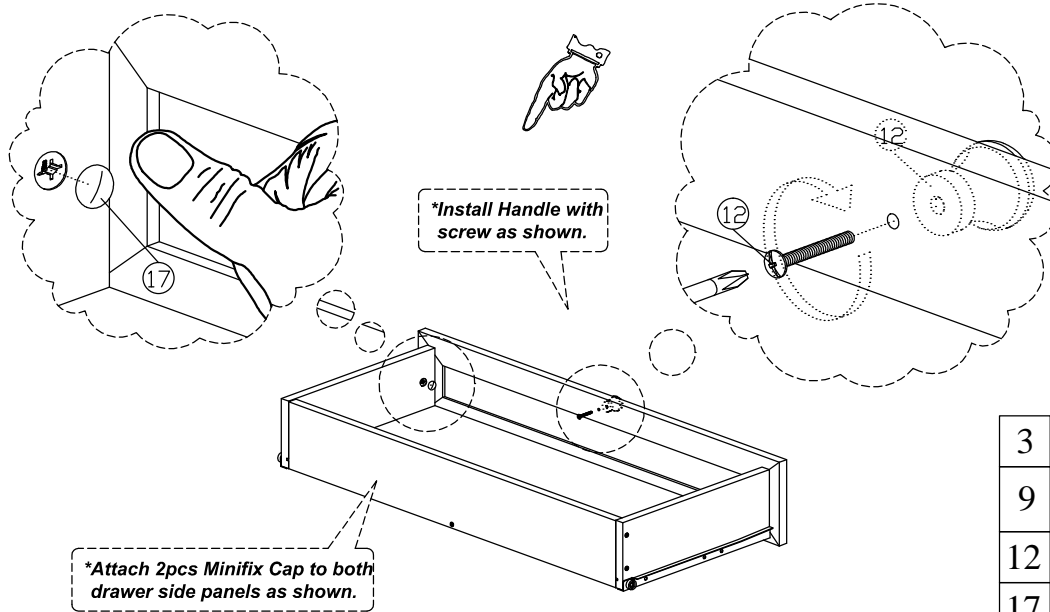
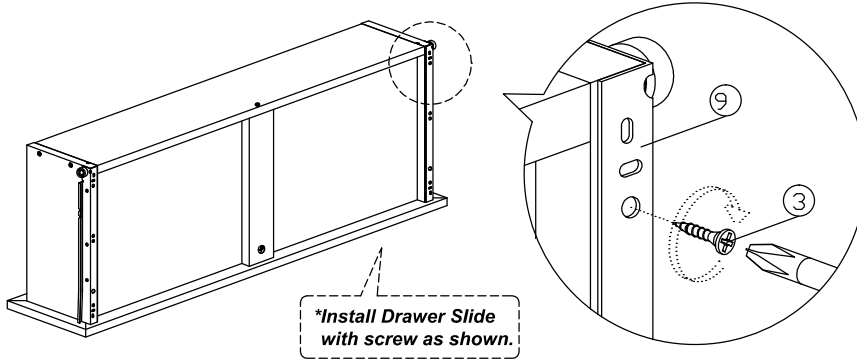
**Insert drawer back, secure with screw as shown.*



2		3Pcs
4		5Pcs

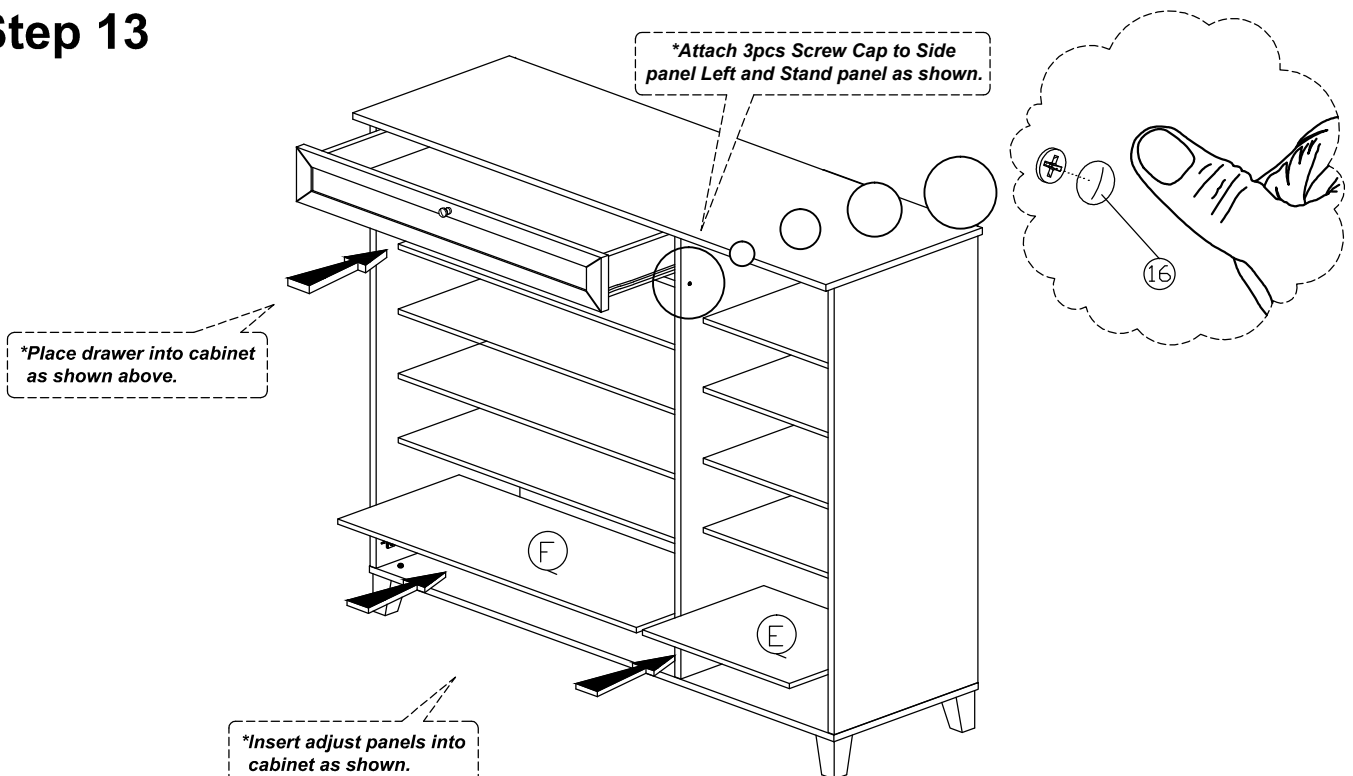
Assembly Instruction

Step 12



3		4Pcs
9		2Pcs
12		1Set
17		2Pcs

Step 13

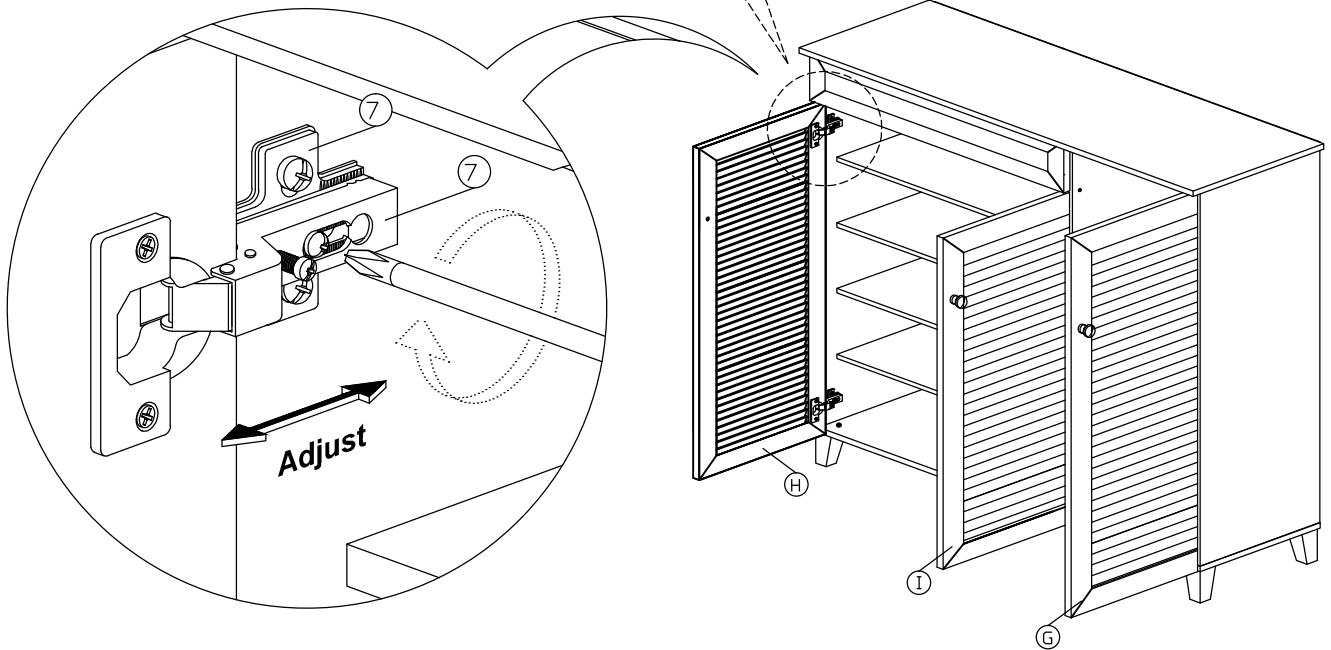


16		3Pcs
----	--	------

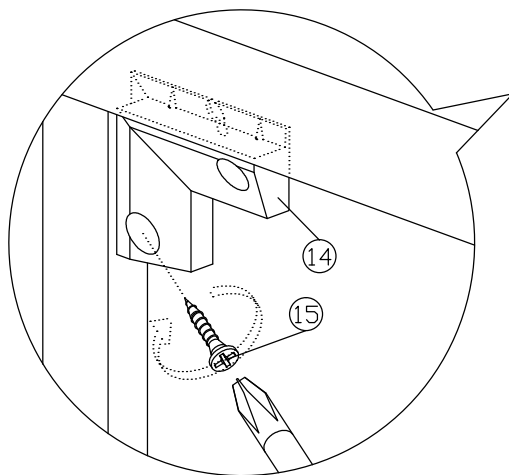
Assembly Instruction

Step 14

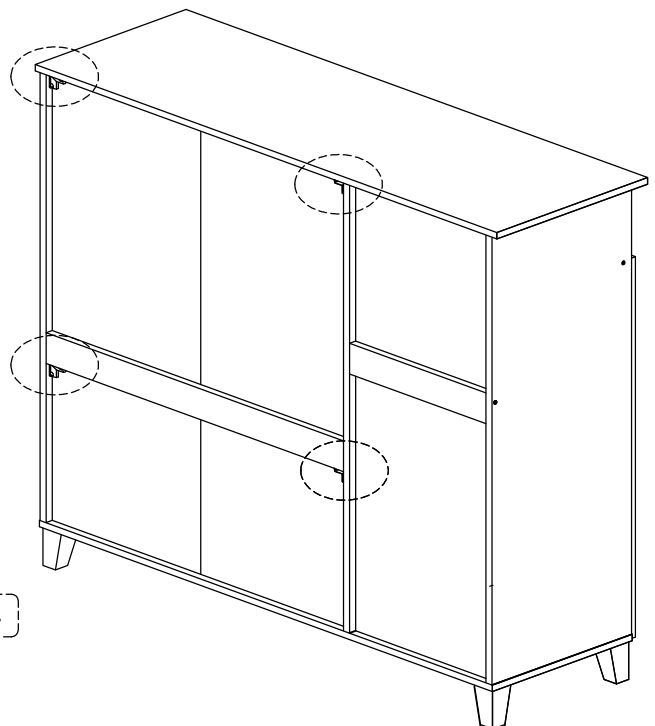
**Assemble Doors, then tighten the Hinge after adjusted to desired position.*





Step 15



**Install Z Bracket with screw as shown.*



14		4Pcs
15		8Pcs