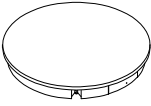

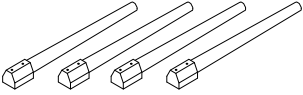









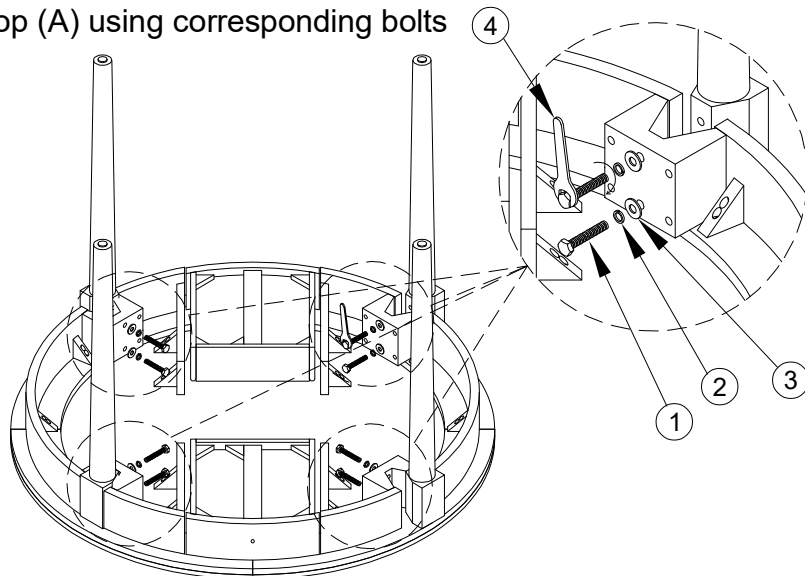
AVERY ROUND DINING TABLE ITEM NO #2478-25

Designation	Part	Qty	Part List	Hardware	Qty	Hardware List
TABLE	(A)	1PCS		(1)	8PCS	BOLT Ø3/8" x 60mm 
LEG	(B)	4PCS		(2)	8PCS	SPIRING WASHER Ø10 x 14mm 
				(3)	8PCS	FLAT WASHER Ø10 x 25mm 
				(4)	1PC	SPANNER 17 x 108mm 

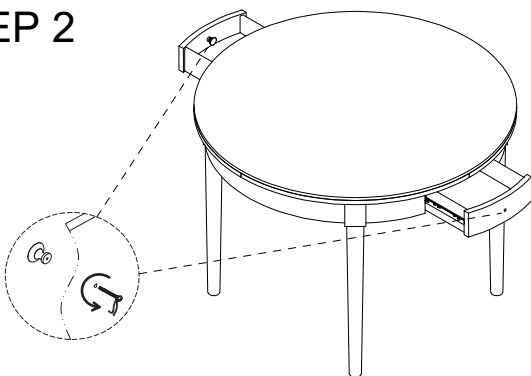
STEP 1

Attach all 4 legs to the table top (A) using corresponding bolts

(1) x8PCS	
(2) x8PCS	
(3) x8PCS	
(4)	

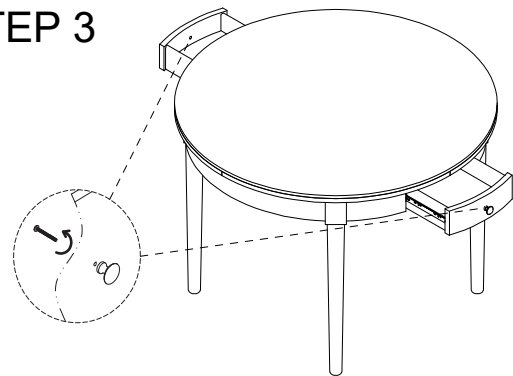


STEP 2



Knobs are attached inside the drawers for safety. Open the drawers and unscrew each knob and turn to face front.

STEP 3



Attach knobs to the drawers front with included pan head screws as shown in picture. Tighten with a screwdriver (Not included).