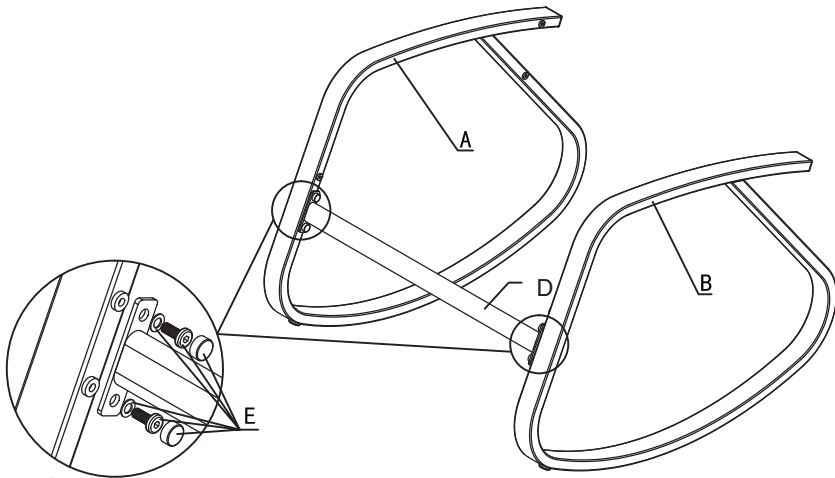


ROCKING CHAIR

ASSEMBLY INSTRUCTION

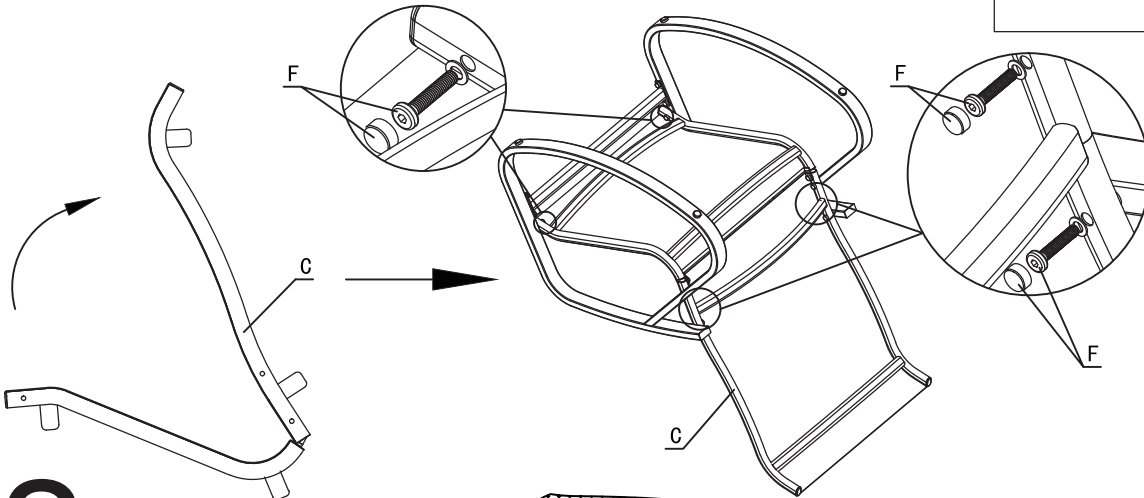
1

.Connect part A,part B and part D by using bolt E.
Attention: Don't overtighten all bolts.



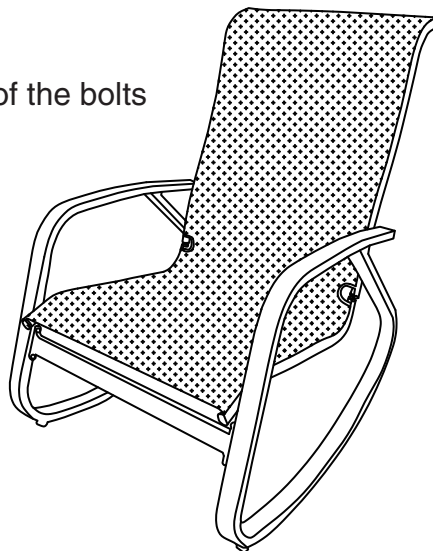
2

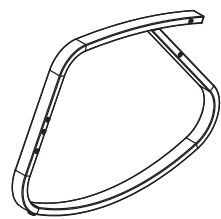
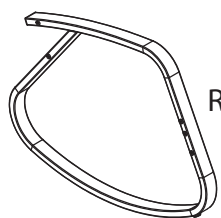
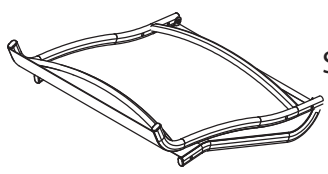
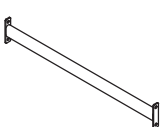


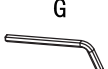
.Open part C first,Then connect part C and Part A,part B by using bolt F.



3

.Tighten up all of the bolts



	A Left Arm 1PC
	B Right Arm 1PC
	C Seat 1PC
	D Support 1PC
	E M6X15 4PCs
	F M6X30 6PCs
	G 1PC