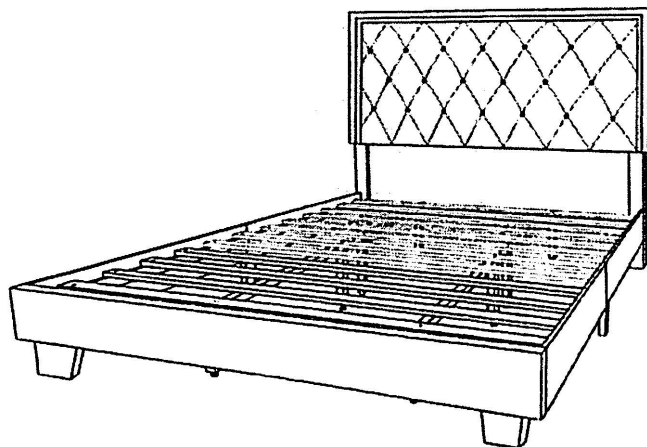


ASSEMBLY INSTRUCTIONS

Thank you purchasing the KING BED. Please read the Instructions carefully to ensure safe operation of the products.



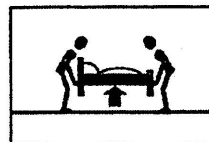
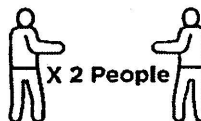
Colour : Velvet Grey, Black, Blue

PLEASE READ this sheet prior to assembly to familiarise yourself with the various stages of construction.

Carefully open the pack supplied and check the contents against the parts and fittings check list. Do not destroy any of the packaging until you are certain that you have all the necessary parts for the assembly

CAUTION: There are small components used in the construction of this unit. These loose items should be kept away from young children whilst assembling your unit to avoid the danger of choking hazards.

Tools Required



KING BED ASSEMBLY INSTRUCTIONS

IMPORTANT - READ CAREFULLY RETAIN THESE INSTRUCTIONS FOR FUTURE REFERENCE.

INFORMATION.

- This product is intended for a maximum person's weight of 130kg per side. Do not exceed this weight.
- Incorrect installation could lead to injury, take care following instructions.
- Due to the size of this product we recommend that it is assembled in the room intended for use.
- When you are ready to start, make sure that you have the right tools, plenty of space and clean, dry area for assembly.
- Unwrap all packaging materials and place the components on top of the carton box or on a clean floor to prevent it from scratching.
- Check the pack and make sure you have all the parts listed.
- Ensure that this product is fully assembled and secured as illustrated before use.
- Check all screws or bolts are tightened and inspect regularly.
- This product should only be used on firm, level ground.
- Dismantle for transportation.
- Only use recommended accessories.
- Tools are not included.

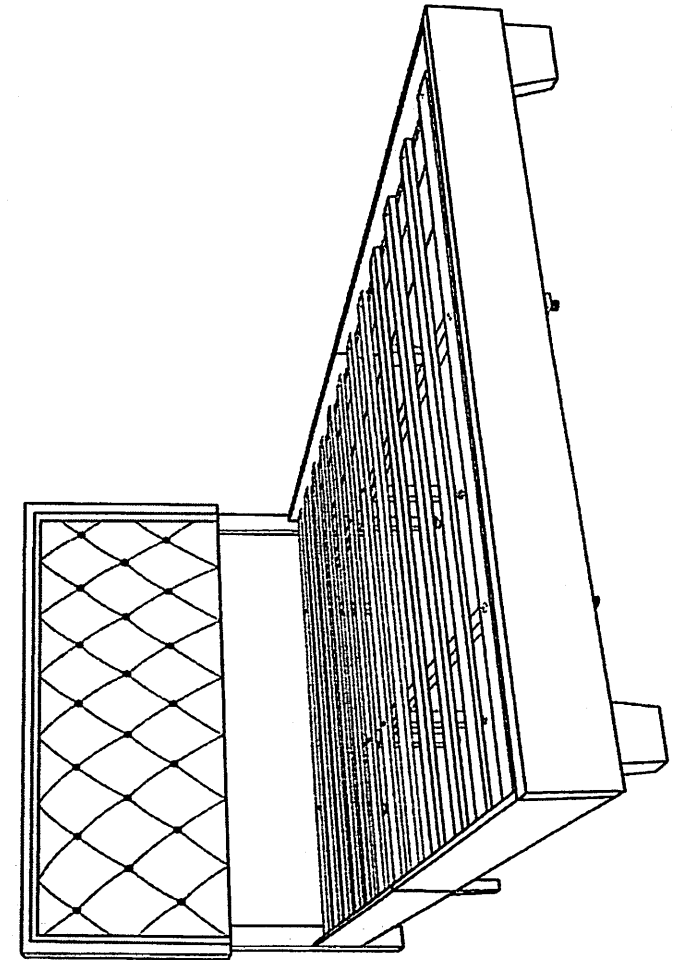
WARNINGS

- DO make sure the legs remain in contact with the ground.
- DO keep small parts out of reach of children.
- DO NOT use power tools to construct this product.
- DO NOT tighten screws until fully assembled.
- DO NOT over tighten screw or bolts.
- DO NOT use this product if parts are missing, damaged or worn.
- DO NOT stand on the product.

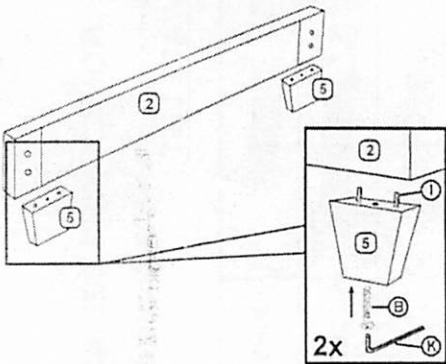
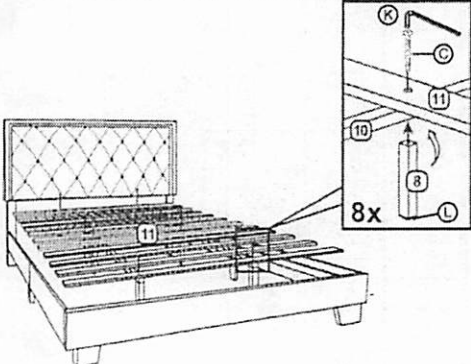
CARE INFORMATION

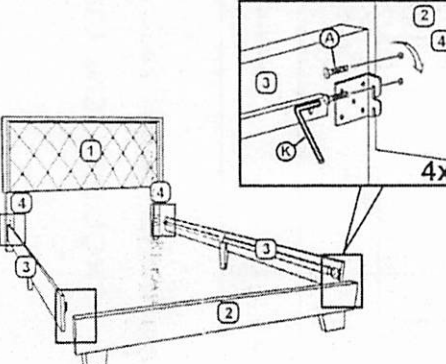
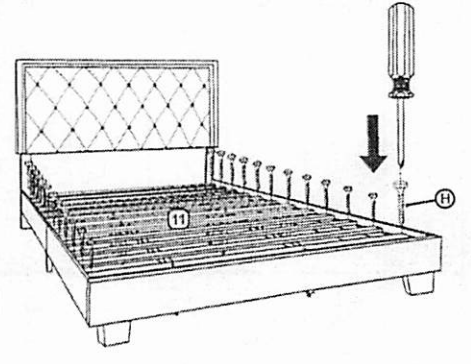
- Never use scourers, abrasives or chemical cleaners.
- To clean wipe with a sponge and warm soapy water. Do not use solvent based cleaners or detergents as they can bleach or damage the product.

KING BED
ASSEMBLY
COMPLETE





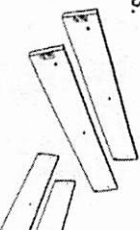

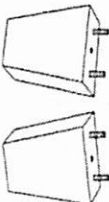
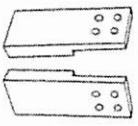

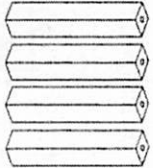
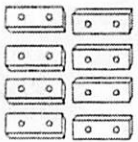

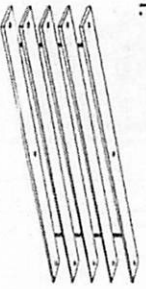
KING BED ASSEMBLY INSTRUCTIONS

<p>STEP 5</p> 	<p>PART REQUIRED</p> <ol style="list-style-type: none"> 1. Footboard - 1 pc 2. Footboard Leg - 2 pcs 3. Wood Dowel - 4 pcs 4. JCBC M6 x 70mm - 2 pcs 	<p>STEP 7</p> 	<p>PART REQUIRED</p> <ol style="list-style-type: none"> 1. Bed Slat - 10 pcs 2. Center Support Rail - 4 pcs 3. Center Support Leg - 8 pcs 4. JCBC M6 x 60mm - 8 pcs 5. Adjuster M6 - 8 pcs
--	---	---	--

<p>STEP 6</p> 	<p>PART REQUIRED</p> <ol style="list-style-type: none"> 1. Side Rail - 4 pcs 2. Footboard - 1 pc 3. Headboard - 1 pc 4. JCBB M8 x 20mm - 4 pcs 	<p>STEP 8</p> 	<p>PART REQUIRED</p> <ol style="list-style-type: none"> 1. Bed Slat - 10 pcs 2. CSK M4 x 32mm - 20
---	---	--	---


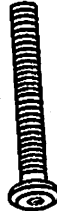



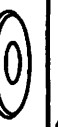
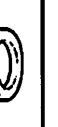




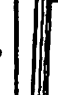
KING BED ASSEMBLY INSTRUCTIONS

PARTS LIST

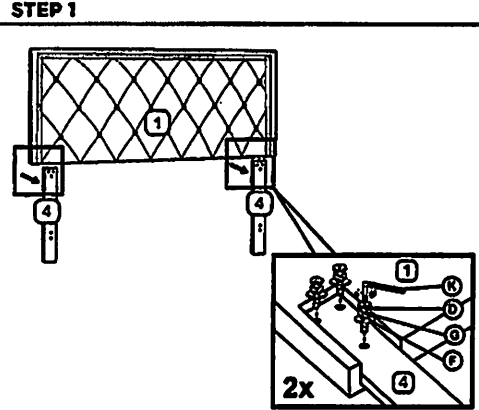
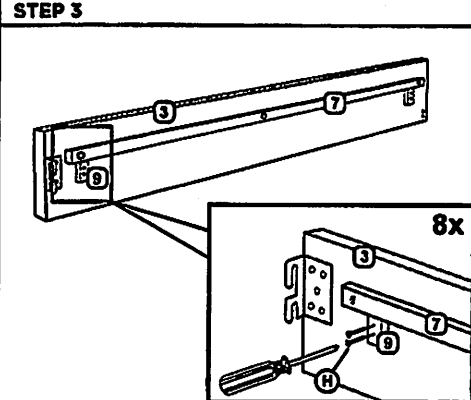
<p>1.</p> 	<p>2.</p> 	<p>3.</p> 	
<p>HEADBOARD Qty : 1 pc</p>	<p>FOOTBOARD Qty : 1 pc</p>	<p>SIDE RAIL (LEFT & RIGHT) Qty : 4 pcs</p>	
<p>4.</p> 	<p>5.</p> 	<p>6.</p> 	
<p>HEADBOARD LEG (L&R) Qty : 2 pc</p>	<p>FOOTBOARD LEG Qty : 2 pcs</p>	<p>SIDE RAIL SUPPORT LEG Qty : 2 pcs</p>	
<p>7.</p> 	<p>8.</p> 	<p>9.</p> 	
<p>SIDE RAIL SUPPORT RAIL Qty : 4 pc</p>	<p>CENTRE SUPPORT LEG Qty : 8 pcs</p>	<p>SMALL SUPPORT CUBE Qty : 8 pcs</p>	
<p>10.</p> 	<p>11.</p> 		
<p>CENTER SUPPORT RAIL Qty : 4 pc</p>	<p>BED SLAT Qty : 10 pcs</p>		

KING BED ASSEMBLY INSTRUCTIONS

HARDWARE LIST

A		JCBB M8 x 20mm	8 PCS
B		JCBC M6 x 70mm	2 PCS
C		JCBC M6 x 60mm	8 PCS
D		JCBC M6 x 45mm	6 PCS
E		JCBC M6 x 25mm	8 PCS
F		FLAT WASHER M6	14 PCS
G		SPRING WASHER M6	14 PCS
H		CSK M4 x 32mm	36 PCS
I		WOOD DOWEL M8	4 PCS
J		ALLEN KEY M4	1 PC
K		ALLEN KEY M5	1 PC
L		ADJUSTER M6	8 PCS

KING BED ASSEMBLY INSTRUCTIONS

STEP 1	PART REQUIRED	STEP 3	PART REQUIRED
	<ol style="list-style-type: none"> 1. Headboard - 1 pc 2. Headboard Leg - 2 pcs 3. Jcbc m6 x45 mm - 6 pcs 4. Spring Washer - 6 pcs 5. Flat Washer - 6 pcs 		<ol style="list-style-type: none"> 1. Side Rail - 4 pcs 2. Small Cube Support - 8 pcs 3. CSK M4 x 32mm - 16 pcs