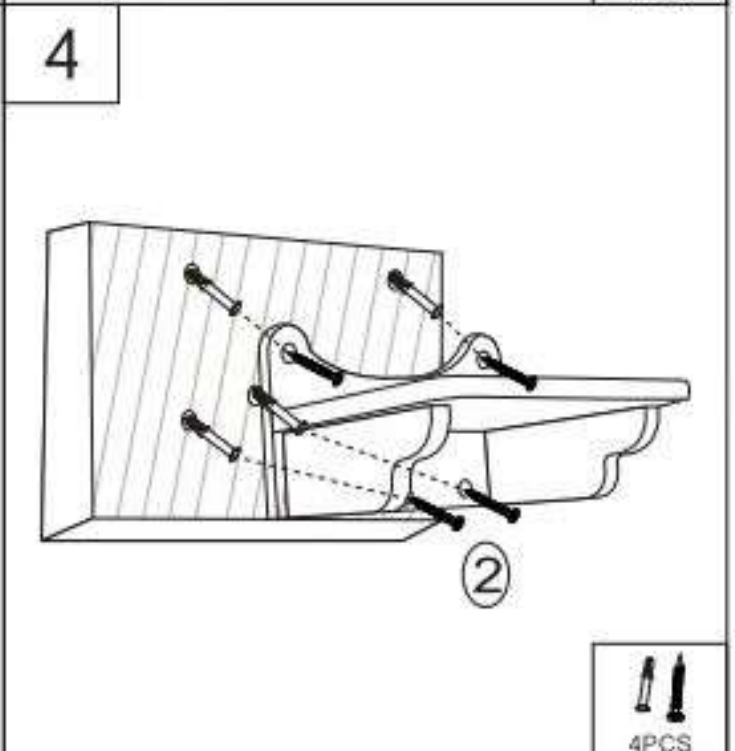
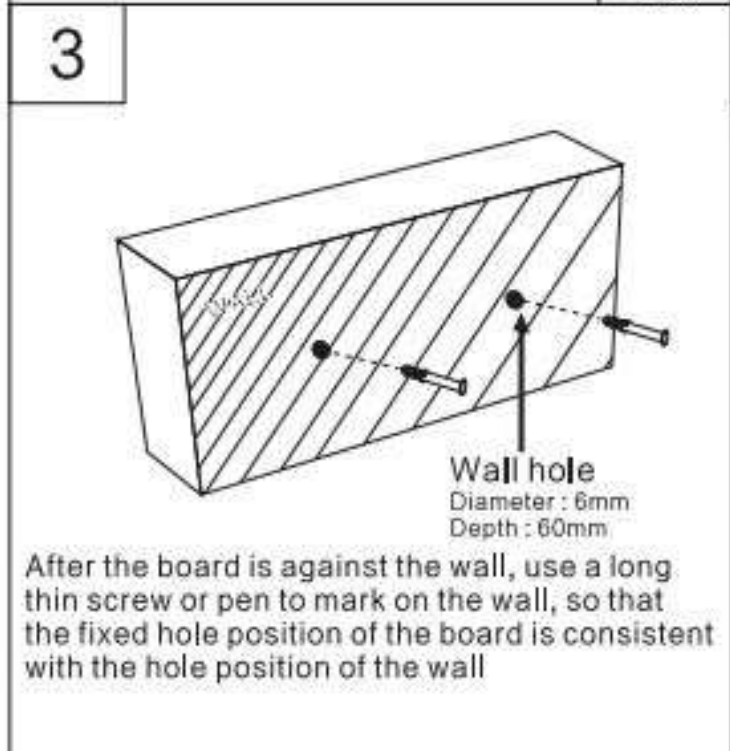
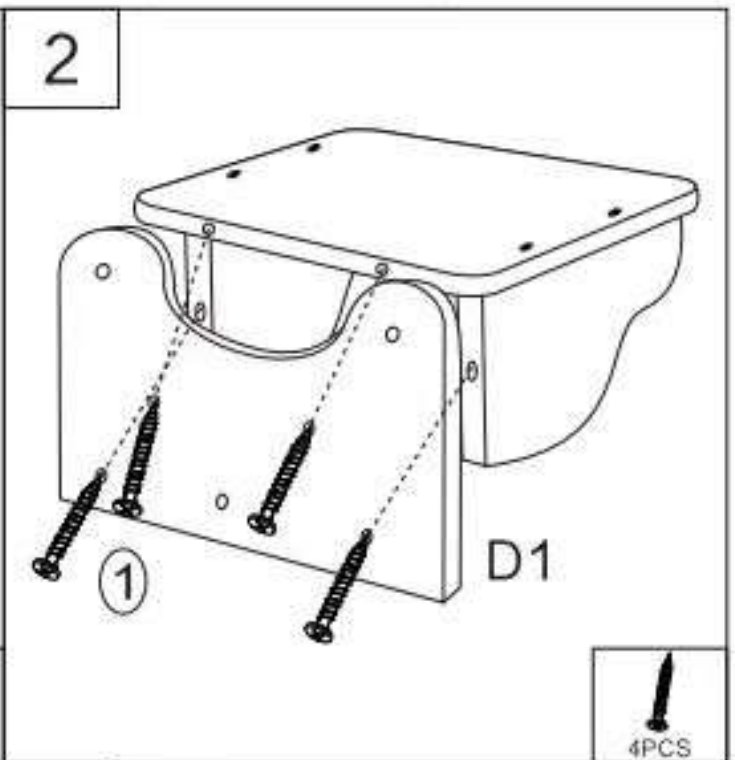
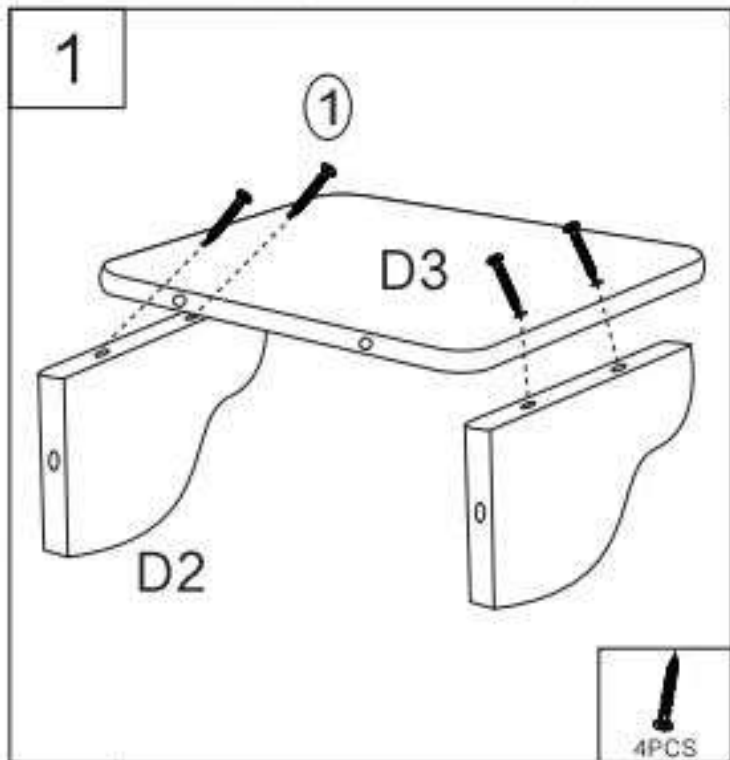
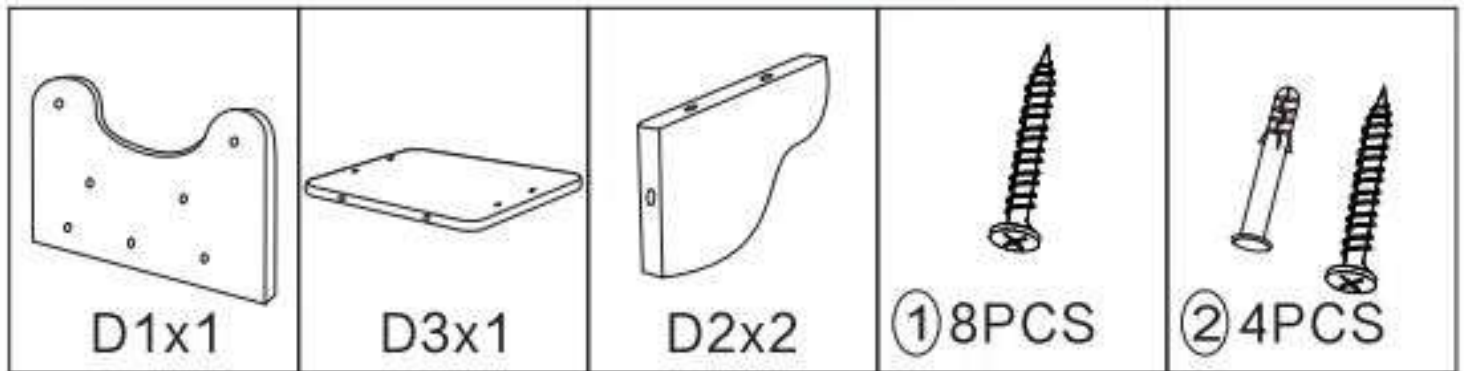


Paragraph D



Paragraph L

