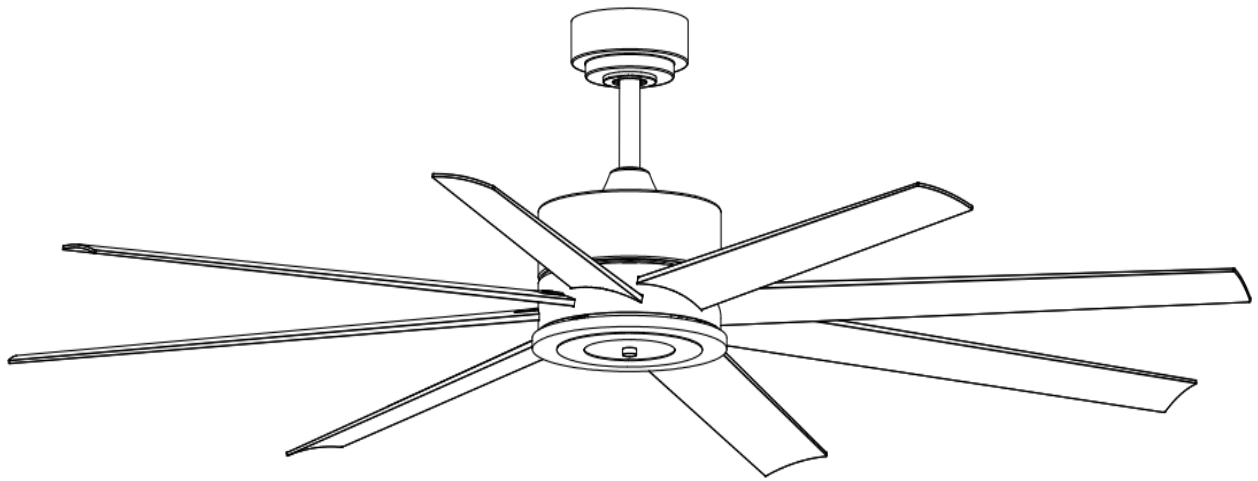


TL-65-8 65 INCH CEILING FAN

INSTALLATION INSTRUCTION

MODEL SERIES



READ AND SAVE THESE INSTRUCTIONS

TABLE OF CONTENTS

INSTRUCTIONS ADDITIONAL SAFETY	3
ENERGY EFFICIENT USE OF CEILING FANS.....	4
ELECTRICAL AND STRUCTURAL REQUIREMENTS	5
PRE INSTALLATION.....	6
UNPACKING INSTRUCTIONS.....	7
FAN BLADE DISASSEMBLY DIAGRAM.....	8
EXPLODED-VIEW ILLUSTRATION	9
HOW TO ASSEMBLE YOUR CEILING FAN.....	10
HOW TO ASSEMBLE YOUR CEILING FAN (CONTINUED)	11
HOW TO HANG YOUR CEILING FAN.....	12
WIRE YOUR CEILING FAN.....	13/14
HOW TO INSTALL YOUR CANOPY HOUSING.....	14
HOW TO OPERATE YOUR CEILING FAN.....	15/16
TROUBLESHOOTING.....	17

WARNING

READ AND SAVE THESE INSTRUCTIONS

To avoid fire, shock and serious personal injury, follow these instructions

1. Read your owner's manual and safety information before installing your new fan. Review the accompanying assembly diagrams.
2. Before servicing or cleaning unit, switch power off at service panel and lock service panel disconnecting means to prevent power from being switched on accidentally. When the service disconnecting means cannot be locked, securely fasten a warning device, such as a tag, to the service panel.
3. Be careful of the fan and blades when cleaning, painting, or working near the fan. Always turn off the power to the ceiling fan before servicing.
4. Do not insert anything into the fan blades while the fan is operating
5. The appliance is not intended for use by young children or infirm persons without supervision. Young children should be supervised to ensure that they do not play with the appliance.

ADDITIONAL SAFETY INSTRUCTIONS

- To avoid possible shock, be sure electricity is turned off at the fuse box before wiring, and do not operate fan without blades.
- All wiring and installation procedures must satisfy National Electrical Codes (ANSI/NFPA 70) and Local Codes.
The ceiling fan must be grounded as a precaution against possible electrical shock. Electrical installation should be made or approved by a licensed electrician.
- The fan base must be securely mounted and capable of reliably supporting at least 35 lb. (fan and accessories not to exceed 35 lb or 15.9 kg) . See page 5 of owner's manual for support requirements. Consult a qualified electrician if in doubt.
- The fan must be mounted with the fan blades at least 10 feet above the floor to prevent accidental contact with the ceiling fan.
- Follow the recommended instructions for the proper method of wiring your ceiling fan. If you do not have adequate electrical knowledge or experience, have your fan installed by licensed electrician.
- Suitable for use with solid-state speed controls.
- This fan is to be used in indoor dry location only.
- For supply connections, if the conductor of a fan is identified as a grounded conductor, then it should be connected to a grounded conductor power supply. If the conductor of a fan is identified as an ungrounded conductor, then it should be connected to an grounded conductor power supply. If the conductor of a fan is identified for equipment grounding, then it should be connected to an equipment-grounding conductor.



CAUTION: Changes or modifications not expressly approved by the party responsible for compliance could void the user's authority to operate the equipment.



WARNING: To reduce the risk of electric shock, this fan must be installed with a general use, isolating wall.

This product is designed to use only those parts supplied with this product and/or accessories designated specifically for use with this product. Using parts and/or accessories not designated for use with this product could result in personal injury or property damage.

To reduce the risk of personal injury, do not bend the blade bracket (flange or blade holder) when installing the brackets, balancing the blades, or cleaning the fan. Do not insert foreign objects in between rotating fan blades.

Mount to an outlet box marked acceptable for fan support of 15.9kg (35 lbs) or Less.

ENERGY EFFICIENT USE OF CEILING FANS

Ceiling fan performance and energy savings rely heavily on the proper installation and use of the ceiling fan. Here are a few tips to ensure efficient product performance.

Choosing the Appropriate Mounting Location

Ceiling fans should be installed, or mounted, in the middle of the room and at least 10 feet from floor to the blade and 18 inches from wall to the blade. If ceiling height allows, install the fan 8–9 feet from floor to the blade for optimal airflow.

Turn Off When Not in the Room

Using the Ceiling Fan Year Round

Summer Season: Use the ceiling fan in the clockwise direction. The airflow produced by the ceiling fan creates a wind-chill effect, making you "feel" cooler. Select a fan speed that provides a comfortable breeze, lower speed consume less energy.

Winter Season: Reverse the motor and operate the ceiling fan at low speed in the counter clock-wise direction. This produces a gentle updraft, which forces warm air near the ceiling down into the occupied space. Remember to adjust your thermostat when using your ceiling fan—additional energy and dollar savings could be realized with this simple steps!

ELECTRICAL AND STRUCTURAL REQUIREMENTS

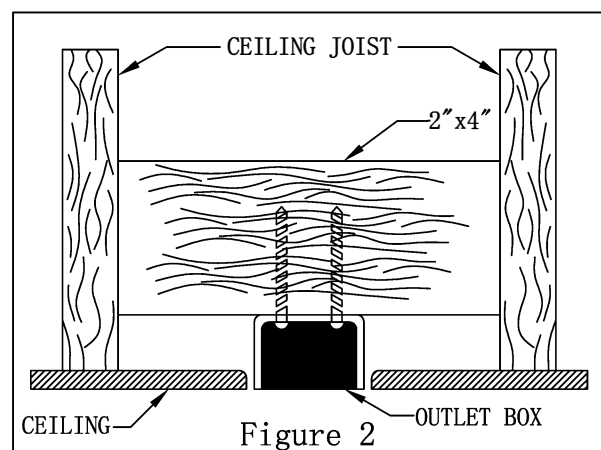
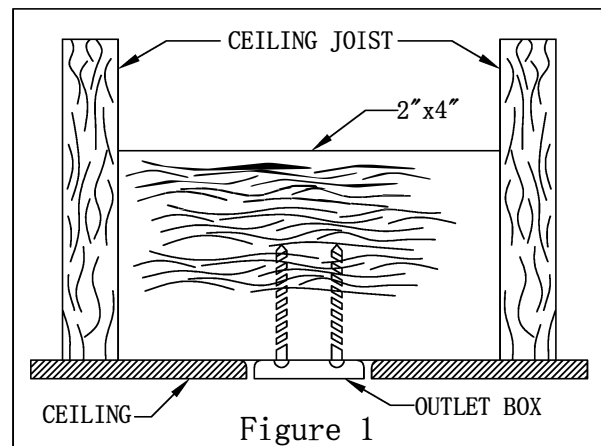
Your new ceiling fan will require a grounded electrical supply line of 120 volts DC, 60 HZ, 15 Amp Circuit. Electrical code requires use of a fan-rated outlet box to support the extra weight and motion associated with a ceiling fan. A fan-rated box will be labeled as such and typically supports up to a 70lb ceiling fan. Fan-Rated Outlet Boxes vary in ratings and design. Ensure the ratings of your ceiling fan outlet box meet the requirements for the ceiling fan being installed. Figure 1, Figure 2 and Figure 3 depicts different structural configurations that may be used for mounting the outlet box.

Low-profile use (Figure 1)

A 12in. deep pancake box is meant to be screwed to a joist or block. It's used if only one cable is coming into the box. It is also available in a saddle-mount configuration.

Deep-profile use (Figure 2)

A 21in. deep box can be attached to blocking between joists and is roomy enough to handle more than one cable.



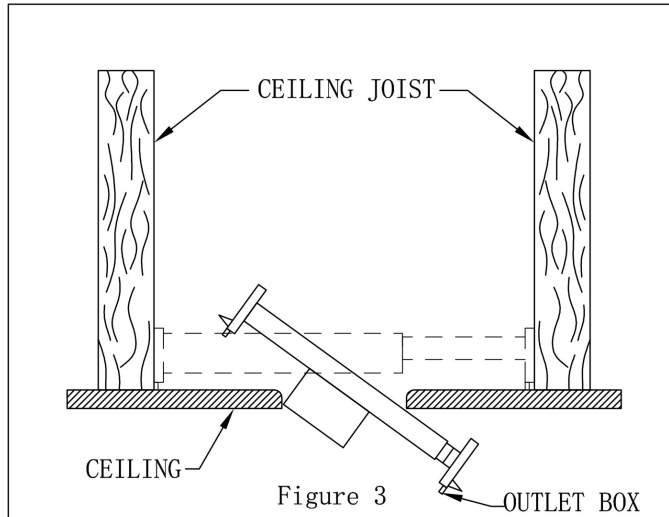
ELECTRICAL AND STRUCTURAL REQUIREMENTS (CONTINUED)

Brace use (Figure 3)

Paired with a deep box, this hanger is meant to span between two joists and takes the place of wooden blocking.



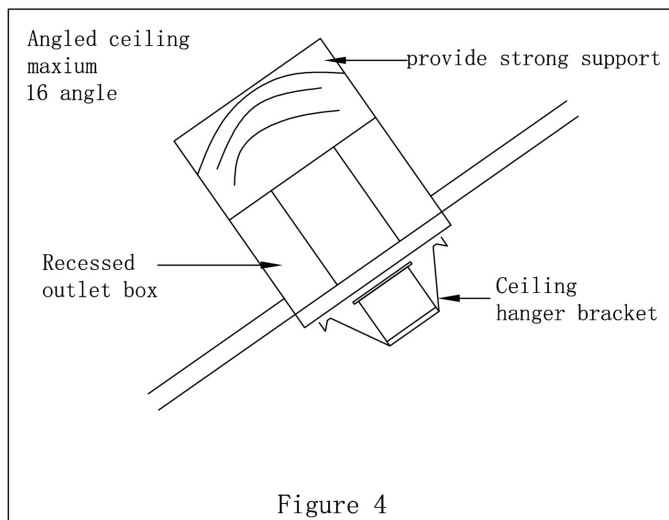
WARNING To reduce the risk of fire, electrical shock, or personal injury, mount fan to outlet box marked acceptable for fan support of 15.9 kg (35 lbs) or less. Use screws supplied with outlet box. Most outlet boxes commonly used for support of light fixtures are not acceptable for fan support and may need to be replaced. Consult a qualified electrician if in doubt.



If your fan is to replace an existing light fixture, turn electricity off at the main fuse box at this time and remove the existing light fixture.



WARNING: Turning off wall switch is not sufficient. To avoid possible electrical shock, be sure electricity is turned off at the main fuse box before wiring. All wiring must be in accordance with National and Local code and the ceiling fan must be properly grounded as a precaution against possible electrical shock.



WARNING: To avoid fire or shock, follow all wiring instructions carefully. Any electrical work not described in these instructions should be done or approved by a licensed electrician.



Notice:

There are two down rods for your choice. 5 IN (Shorter) and 10 IN (Longer)



WARNING: Do not operate this fan with a variable (Rheostat) wall controller or dimmer switch. Doing so could result in damage to the ceiling fan's remote control unit.

Angled ceiling use place (Figure 4)

Angled ceiling maximum 16 angle

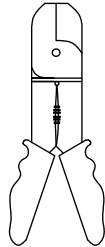
PRE-INSTALLATION

This manual is designed to make it as easy as possible for you to assemble, install, operate and maintain your ceiling fan

Tools Needed for Assembly (Not Included)



Phillips
screwdriver



Wire strippers/
cutters



One
stepladder



One 1/4" blade
screwdriver

MATERIALS NEEDED

Wiring outlet and connectors of type required by the local code. The minimum wire would be a 3-con (2-wire with ground) of the following size:

Installed wire length	Wire Size A. W. G
Up to 50 ft.	12
50-100 ft.	12



NOTE: Place the parts from the loose parts bags in a small container to keep them from being lost. If any parts are missing contact your local retailer.




WARNING:
Before assembling your ceiling fan, refer to section on proper method of wiring your fan (page 12). If you feel you do not have enough wiring knowledge or experience, have your fan installed by a licensed electrician.

UNPACKING INSTRUCTIONS


PACKAGE CONTENTS

For your convenience, check-off boxes are provided next to each step. As each step is completed, place a check mark in the box. This will insure that all steps have been completed and will be helpful in finding your place should you be interrupted.

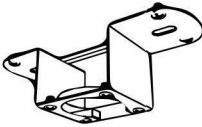
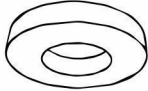

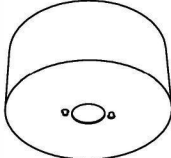
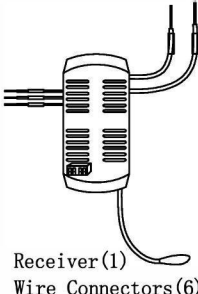
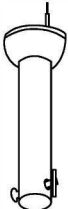
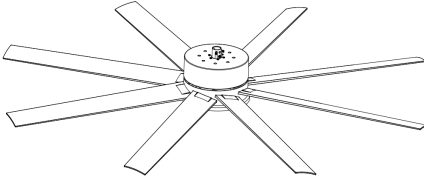



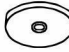





WARNING:
Do not install or use fan if any part is damaged or missing. This product is designed to use only those parts supplied with this product and/or any accessories designated specifically for use with this product by our group. Substitution of parts or accessories not designated for use could result in personal injury or property damage.

1. Check to see that you have received the following parts:

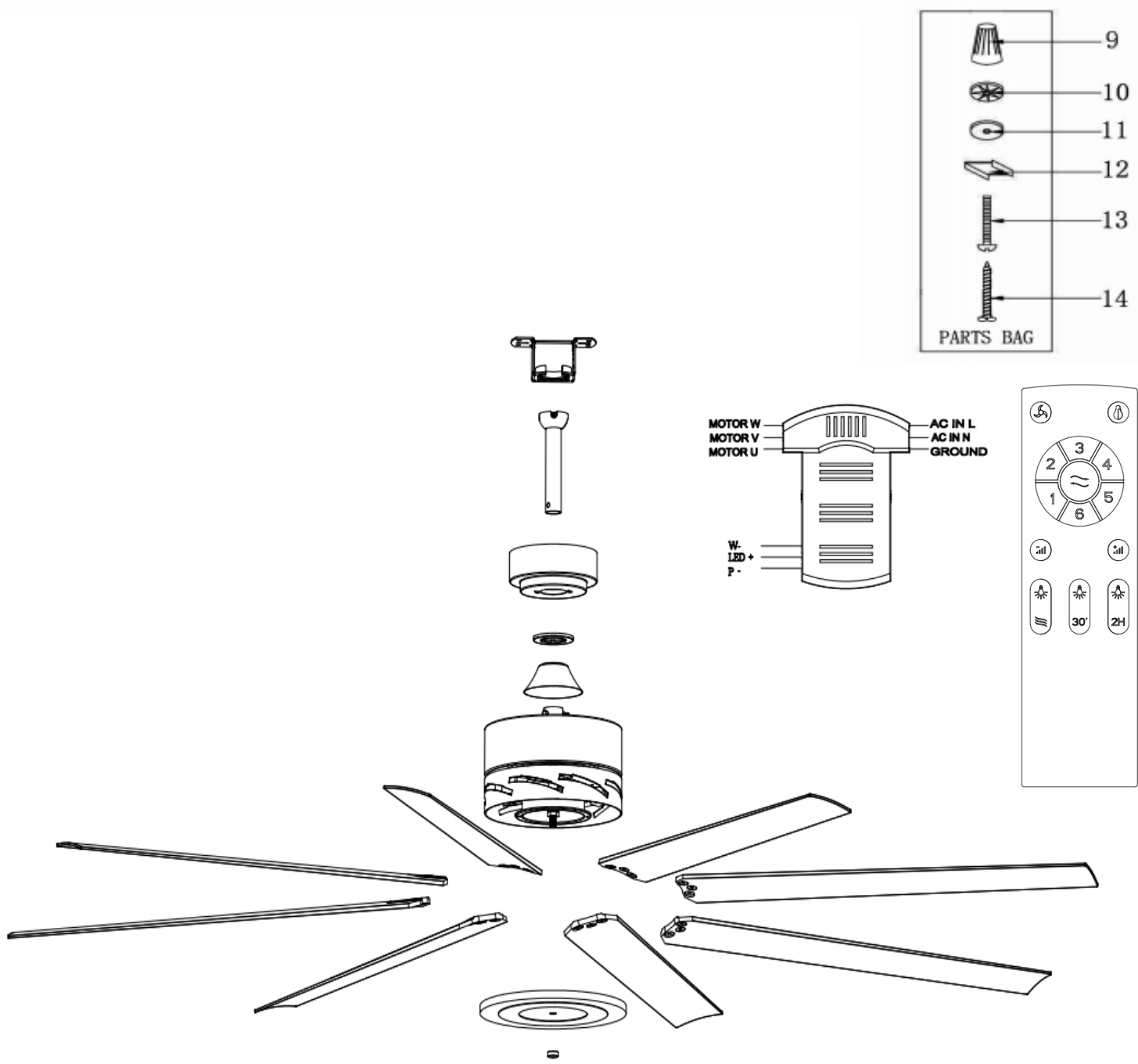


NOTE: If you are uncertain of part description, refer to exploded view illustration provided on the last page of this install manual.

 Hanger Bracket Assembly (1)	 Canopy Screw Cover (1)	 Motor Coupling Cover Assembly (1)	 Ceiling Canopy (1)	 Receiver (1) Wire Connectors (6)	
 Downrod/Hanger Ball Assembly (1) -Downrod -Hanger Ball -Set screw -Hairpin Clip -Clevis Pin -Pin	 Motor Assembly (1)			 Hand-held Remote (1)	
Hardware Bag					
 Wire Connectors (6)	 Lock Washer (4)	 Flat Washer (4)	 Spring Washer (4)	 Machine Screw (2)	 Wood Screw (2)

For further questions, please contact customer service

EXPLODED REVIEW ILLUSTRATION




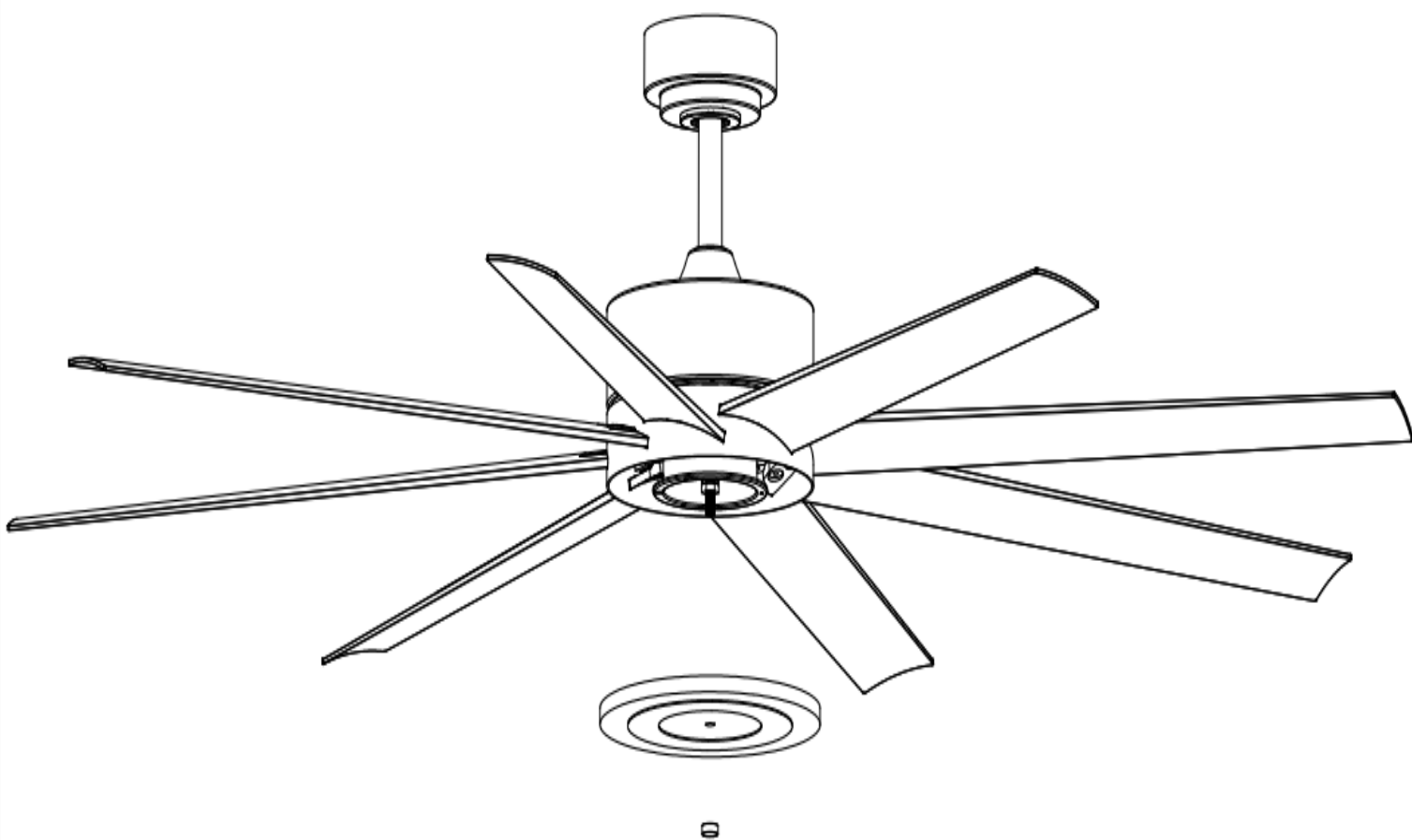
 Note: LED light.(included)
 The illustration shown is not scale or its actual configuration may be different.Product/parts are subject to change without notice.

Figure 1

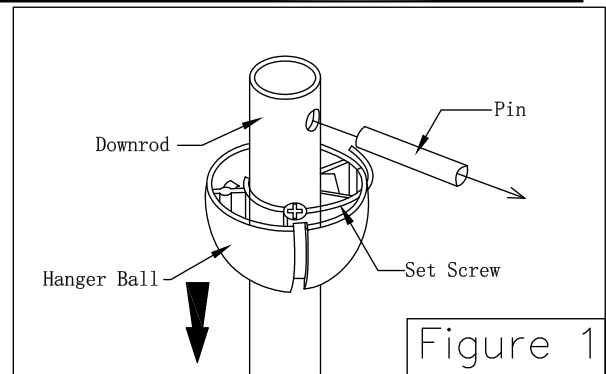
REPLACEMENT AND DISASSEMBLY DIAGRAM OF FAN BLADES

Install the fan blade and blade arm on the motor in turn.
The installation insights are as follows

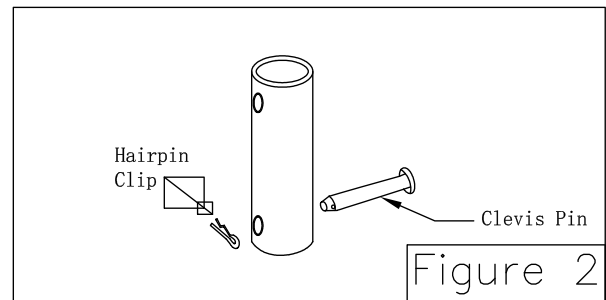


HOW TO ASSEMBLE YOUR CEILING FAN

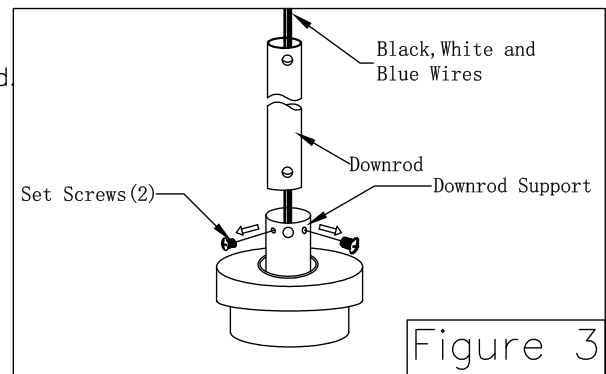
- Remove the hanger ball portion from the downrod/hanger ball assembly by loosening the set screw in the hanger ball until the ball falls freely down the downrod. Remove the pin from the downrod, then remove the hanger ball. Retain the pin and hanger ball for reinstallation in Step 6. (Figure 1)



- Remove the hairpin clip and clevis pin from the bottom of the downrod. Retain the pin and clip for reinstallation in Step 4. (Figure 2)



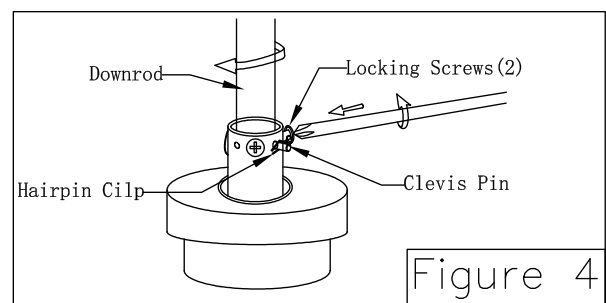
- Loosen the two set screws in the down rod support of the motor assembly. Route the black, white and blue wires through the down rod (Figure 3)



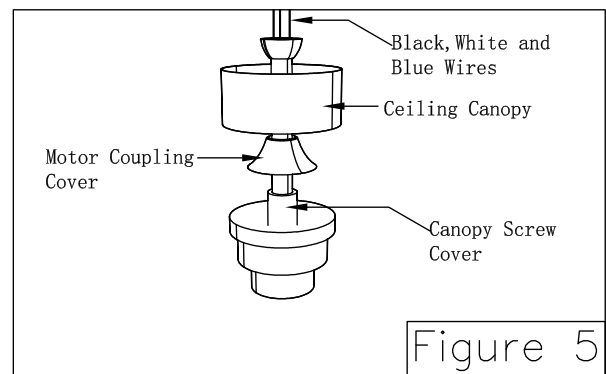
- Thread down rod into the down rod support on top of the motor. Install the clevis pin by aligning the hole in the down rod support with holes in the down rod. Secure clevis pin with hairpin clip. Tighten the two setscrews with in the down rod support. (Figure 4)



WARNING:
It is critical that the clevis pin in the down rod support is properly installed and the setscrews are securely tightened. Failure to do so could result in the fan falling.

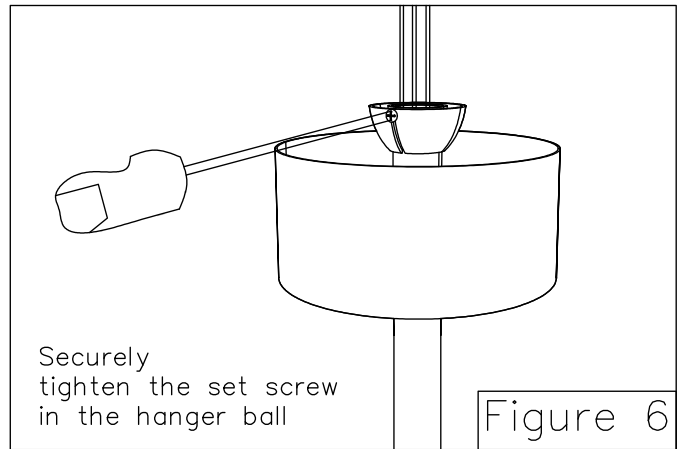


- Route wires through motor coupling cover, canopy screw cover and ceiling canopy. (Figure 5)

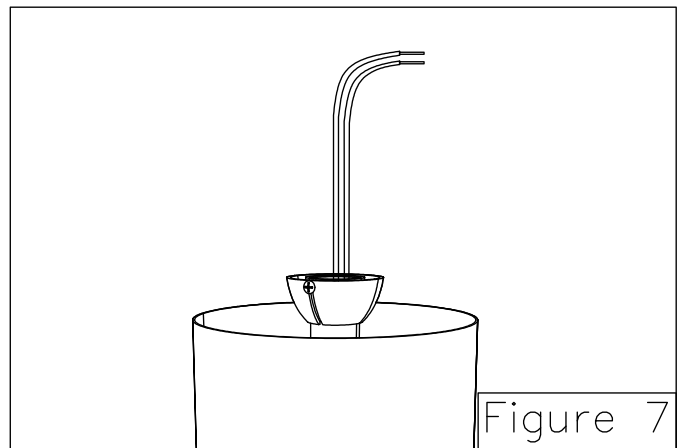
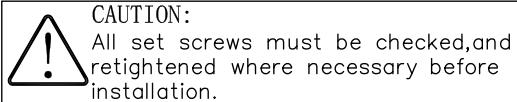


HOW TO ASSEMBLE YOUR CEILING FAN (CONTINUED)

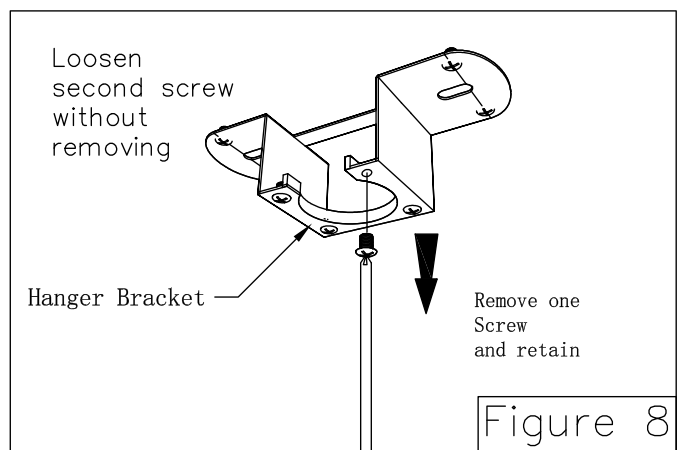
- Reinstall the hanger ball on the down rod as follows. Route the black, white and blue wires through the hanger ball. Position the pin through the two holes in the down rod and align the hanger ball so the pin is captured in the groove in the top of the hanger ball. Pull the hanger ball up tight against the pin. Securely tighten the set screw in the hanger ball. A loose setscrew could create fan wobble. (Figure 6)



- Cut off excess lead wire approximately 6 to 9 inches above top of the down rod. Strip insulation off 1/2 inch from the end of each lead wire. (Figure 7)



- Remove one of the two shoulder screws in the hanger bracket and retain the screw for later. Loosen the second shoulder screw without fully removing it. (Figure 8)



HOW TO HANG YOUR CEILING FAN



WARNING:

To avoid possible fire or shock, be sure electricity is turned off at the main fuse box before hanging. (Figure 1)

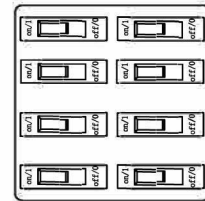


NOTE:

If you are not sure if the outlet box is grounded, contact a licensed electrician for advice, as it must be grounded for safe operation.

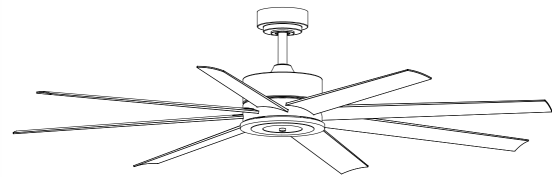


WARNING: The fan must be hung with at least 11.5ft from floor to ceiling fan. (Figure 2)



MAIN FUSE BOX

Figure 1



The recommended height is 11.5 ft. from the ground

FLOOR

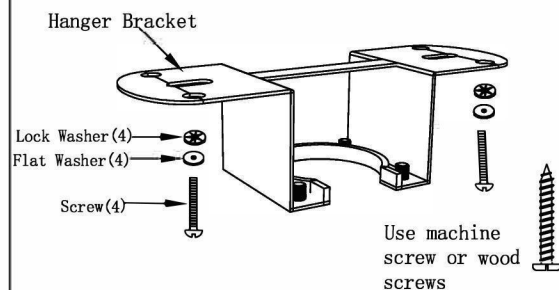
Figure 2

Securely attach the hanger bracket to the outlet box using the outlet box screws and washers supplied with the outlet box. (Figure 3)



WARNING:

The outlet box must be securely anchored. Hanger bracket must seat firmly against outlet box. If the outlet box is recessed, remove wall board until bracket contacts box. If bracket and/or outlet box are not securely attached, the fan could wobble or fall.



Lock Washer (4)
Flat Washer (4)
Screw (4)

Use machine screw or wood screws

Figure 3

Carefully lift the fan and seat the down rod/hanger ball assembly onto the hanger bracket that was just attached to the outlet box. Be sure the groove in the ball is lined up with tab on the hanger bracket. (Figure 4) This fan is intended for standard and angled mounting options only. Close mount and flush mount options are not available. For angled ceilings, note the angle can be no more than 16°



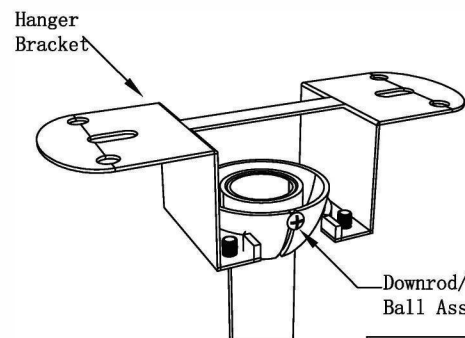
WARNING:

Failure to seat tab in groove could cause damage to electrical wires and possible shock or re hazard.



WARNING:

To avoid possible shock, do not pinch wires between the hanger ball assembly and the hanger bracket.



Downrod/Hanger Ball Assembly

Figure 4

WIRING YOUR CEILING FAN

Remote controller GENERAL INFORMATION

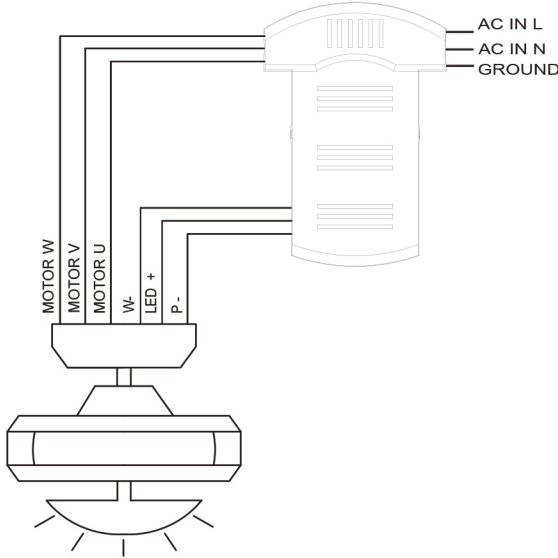
1. INSTALLING RECEIVER IN CEILING FAN

A. Safety precautions:

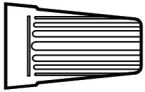
WARNING: HIGH VOLTAGE! Disconnect power by removing fuse or switching off circuit breaker.
Electrical wire must meet all local and national electrical code requirements.

B. Electrical rating: 100v-240V 50/60Hz


2. Wiring diagram:



HARDWARE USED:

WIRE CONNECTORS  X 6

NOTE:

 If you feel that you do not have enough electrical wiring knowledge or experience, have your fan installed by a licensed electrician.

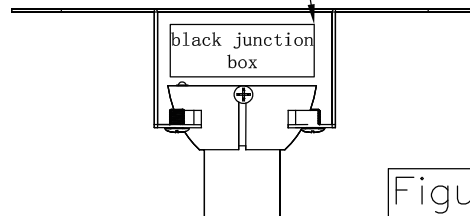
WIRING YOUR CEILING FAN (CONTINUED)



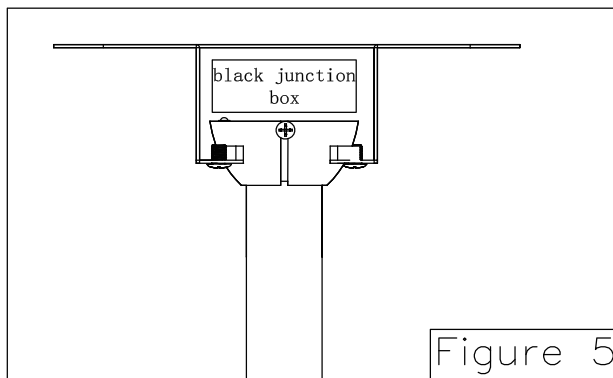
WARNING:
Check to see that all connections are tight, including ground, and that no bare wire is visible at the wire connectors except for the ground wire. Do not operate fan until the blades are in place. Noise and motor damage could result.

- After connections have been made, turn leads upward and carefully push leads into the outlet box, with the white and green leads to one side of the box and the black leads to the other side. (Figure 4)

After the wires are connected, bundle the wires with cable ties, and then place the junction box in the hanger



- Use bandage to extend into the wave filter mounting hole and the screw hole of the hanger bracket, and tighten bandage (for subsequent installation of the ceiling Canopy) . (Figure 5)

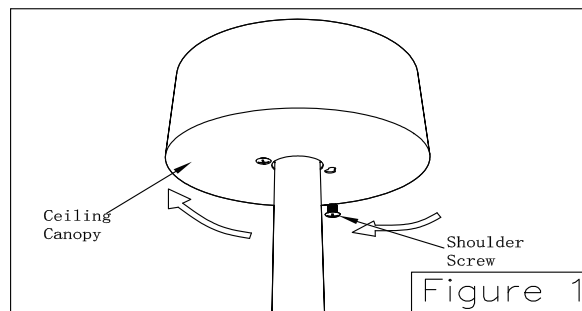


HOW TO INSTALL YOUR CANOPY HOUSING



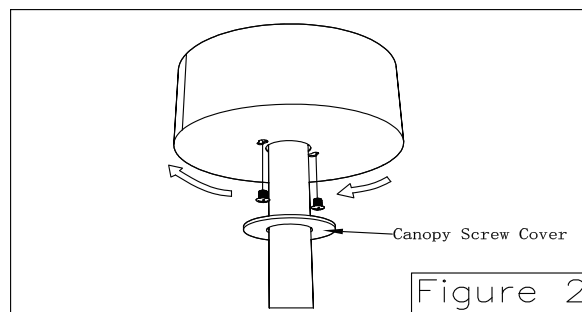
NOTE:
This step is applicable after the necessary wiring is completed.

Assemble canopy by rotating key slot in canopy over shoulder screw in hanger bracket, taking care not to pinch the wires. Tighten shoulder screw. Fully assemble and tighten second shoulder screw that was previously removed. (Figure 1)




WARNING:
To avoid possible fire or shock, make sure that the electrical wires are completely inside the canopy housing and not pinched between the housing and the ceiling.

Securely attach and tighten the three "L" tabs of canopy screw cover over the three slots of canopy utilizing the key slot twist-lock feature. (Figure 2)



HOW TO OPERATE YOUR CEILING FAN (CONTINUED)

NOTE:
 Wait for the fan to stop before reversing the direction of the blade rotation.

- If airflow is desired in the opposite direction, turn the fan off and wait for the blades to stop turning. Slide the reverse switch on top of motor assembly to the opposite position and turn fan on again (Figure 6)

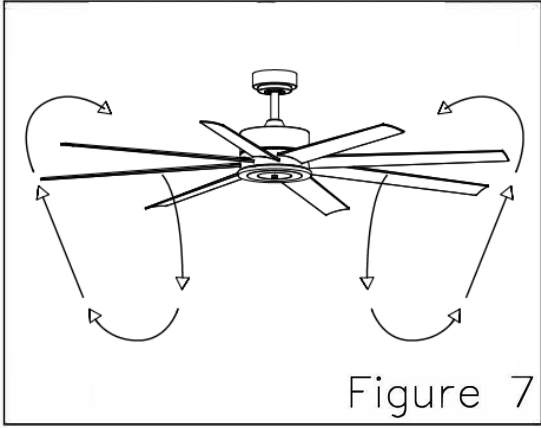


Figure 7

Reverse Switch Information		
Season	Rotation Direction	Switch Position
Summer	Clockwise	Left
Winter	Counter-Clockwise	Right

- Warm weather-(Forward) A downward air flow creates a cooling effect as shown in. (Figure 7) This allows you to set your air conditioner on a higher setting without affecting your comfort.
- Cool weather- (Reverse) An upward airflow moves warm air off the ceiling area as shown in. (Figure 8) This allows you to set your heating unit on a lower setting without affecting your comfort.

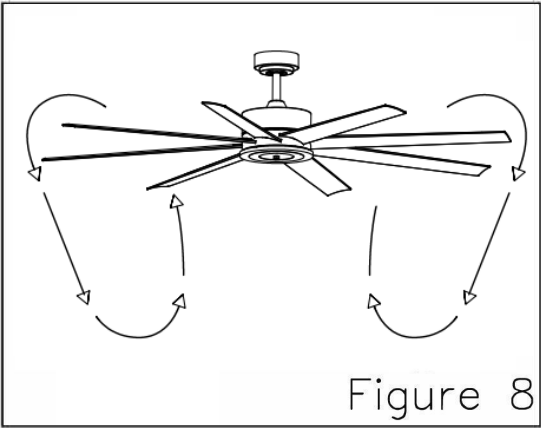


Figure 8

MAINTENANCE

Periodic cleaning of your new ceiling fan is the only maintenance that is needed. When cleaning, use only soft brush or lint free cloth to avoid scratching the finish. Abrasive cleaning agents are not required and should be avoided to prevent damage to finish.

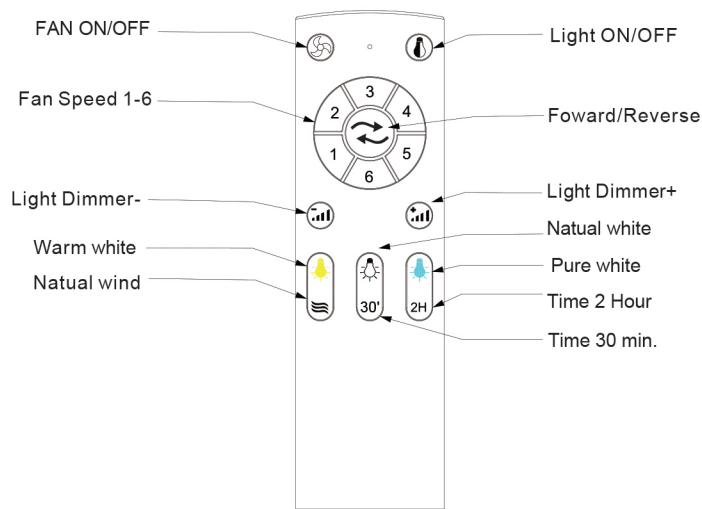


CAUTION
 Do not use water when cleaning your ceiling fan. It could damage the motor or the finish and create the possibility of electrical shock.

HOW TO OPERATE YOUR CEILING FAN (CONTINUED)

2. OPERATING TRANSMITTER:

- A. Install LR03/AAA1.5V*2 volt battery(not included).
(To prevent damage to transmitter, remove the battery if not used for a long time).
- B. Store the transmitter away from excessive heat or humidity.
- C. Operating the buttons on the panel of the transmitter.



D. Setting the codes on the receiver:

1. Learning code matching mode is used between REMOTE CONTROL and receiver. Turn on the supply power within 5 seconds and press the REMOTE CONTROL "FAN ON/OFF" button for 3 seconds, it can load normally after hearing a long sound "bee", which means learning successfully and it can works normally.(PS: Learning mode is not accepted after turn "ON" the supply power for 5 seconds)

IMPORTANT POINTS:

1. Please read this instruction, and save it for further use.
2. Before installation, TURN OFF THE POWER TO YOUR CEILING FAN (at the main switch box or fuse box).
3. Please note that all wiring appliances should be installed by a qualified electrician.
4. This unit is to be used in aAC110V~120V 50Hz/60Hz supply only. (Rating: max. 100W, Min. 15W for fan motor; max. 300W, Min. 5W for light kits)
5. Do not install in damp locations or immerse in water. (For indoor use only.)
6. Do not pull on or cut leads shorter.
7. Do not drop or bump the unit.
8. PLEASE NOTE: The battery will weaken with age and should be replaced before leaking takes place as this will damage the transmitter.
9. The batteries must be removed from the transmitter before it is scrapped and the batteries shall be disposed of safety.
10. The switch shall be mounted at a height greater than 5.6ft.
11. The electric shock protection of the RF. receiver shall be depended on its installation.
12. The RF. Remote controller shall be used within its rating range, otherwise overheating and dangerous phenomenon may occur.
13. CAUTION: To reduce the risk of fire or injury, do not use this product in conjunction with any variable (rheostat) wall control.

Remote control only: Install the two 'AAA' 1.5 volt batteries(NOT included)

When operate ceiling fan by remote controller, you should note that code switch must be set at the same for both receiver and transmitter.

TROUBLESHOOTING



WARNING:

For your own safety turn off power at fuse box or circuit breaker before trouble shooting your fan.

TROUBLE	PROBABLE CAUSE	SUGGESTED REMEDY
1. FAN WILL NOT START	<ol style="list-style-type: none"> 1. Fuse or circuit breaker blown. 2. Loose power line connections to the fan, or loose switch wire connections in the switch housing 3. Dead battery in remote control. 4. Reversing switch in neutral position. 	<p>CAUTION: Make sure main power is turned off!</p> <ol style="list-style-type: none"> 1. Check main and branch circuit fuses or circuit breakers. 2. Check line wire connections to fan and switch wire connections in the switch housings. 3. Replace with new battery. 4. Make sure reversing switch position is all the way to one side.
2. FAN SOUNDS NOISY	<ol style="list-style-type: none"> 1. Loose screws in motor housing. 2. Wire connectors inside housing rattling. 3. Motor noise caused by solid state variable speed control 	<p>CAUTION: Make sure main power is turned off!</p> <ol style="list-style-type: none"> 1. Check to make sure all screws in motor housing are snug (do not over-tighten) . 2. Check to make sure wire connectors in switch housing are not rattling against each other or against the interior wall of the switch housing. 3. Some fan motors are sensitive to signals from solid-state variable speed controls. Solid-state controls are not recommended, choose an alternative control method.
3. FAN WOBBLERS EXCESSIVELY	<ol style="list-style-type: none"> 1. Set screw in down rod support is loose. 2. Setscrew in down rod/hanger ball assembly is loose. 3. Hanger bracket and/or ceiling outlet box is not securely fastened. 	<ol style="list-style-type: none"> 1. Tighten both setscrews securely in down rod support. 2. Tighten the setscrew in the down rod/hanger ball assembly. 3. Tighten the hanger bracket screws to the outlet box, and secure outlet box.
4. NOT ENOUGH AIR MOVEMENT		<ol style="list-style-type: none"> 1. If possible, consider using a longer 10 in. down rod (include)

For further questions, please contact customer service