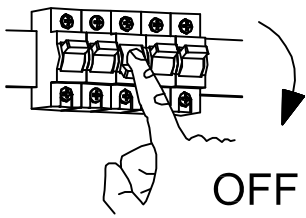
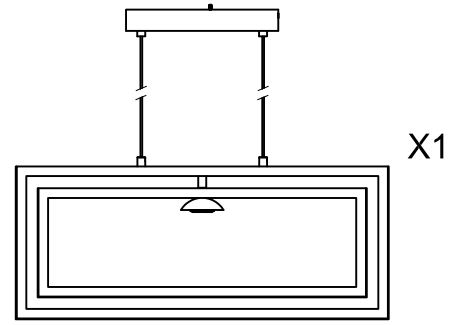
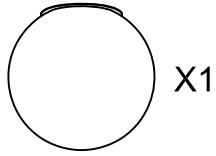
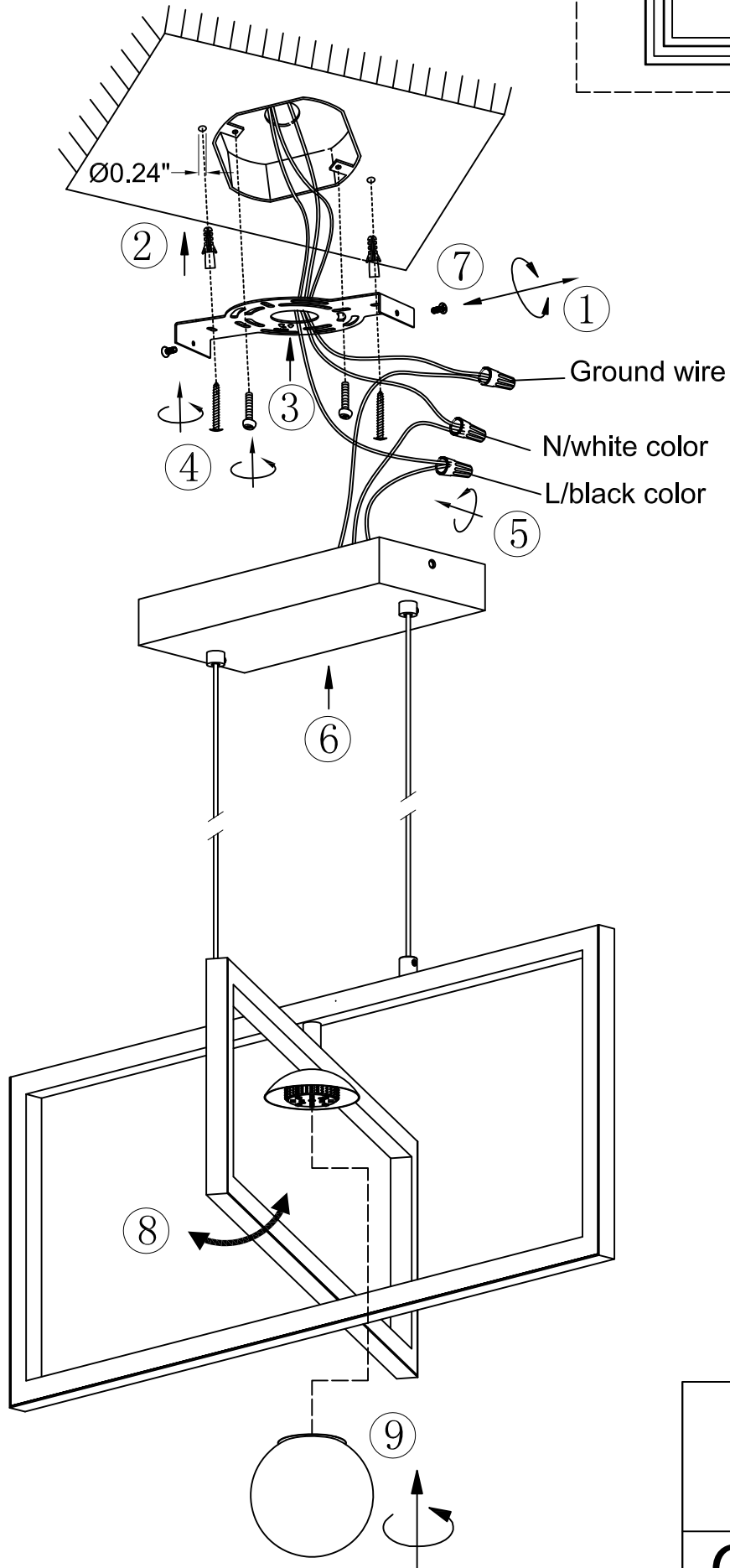


A

⌀ X2 ⌀ X3

**B****C**