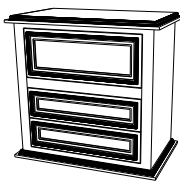
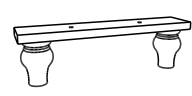
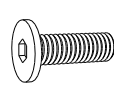
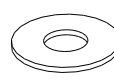
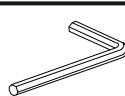


ASSEMBLY INSTRUCTION

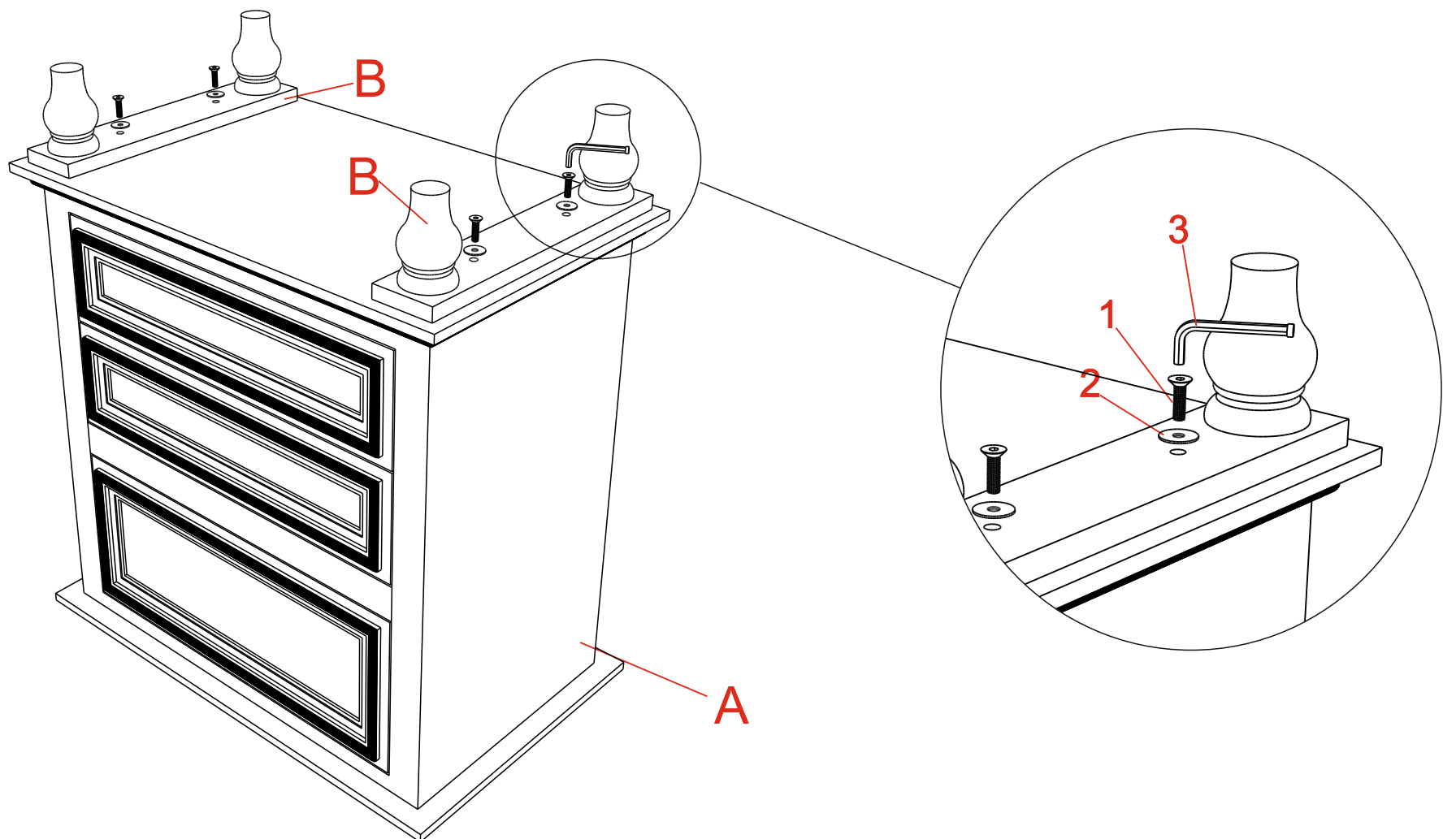
PARTS

S.NO.	DESCRIPTION	QTY
A	 TOP PART	1
B	 WOODEN LEG	2

HARDWARE

S.NO.	DESCRIPTION	QTY
1	 Allen Bolt	4
2	 Washer	4
2	 Allen Key	1

STEP -1



FINAL

