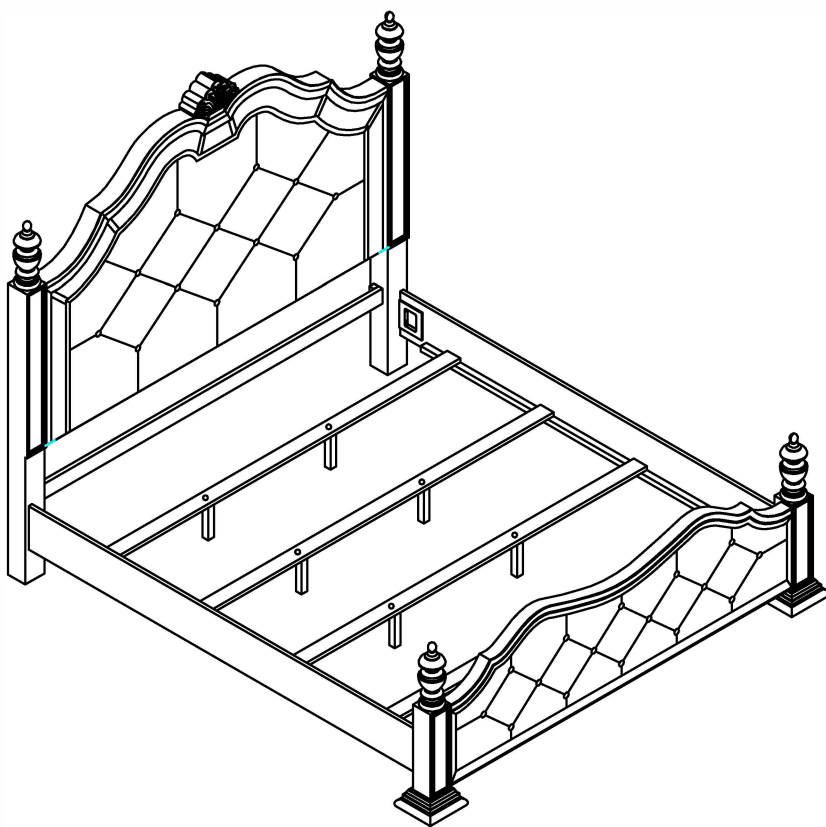


ASSEMBLY INSTRUCTIONS



TOOLS REQUIRED



Allen Wrench
(Included)



Phillips Screwdriver
(Not Included)



Wrench
(Included)



3 - People
Recommended

ASSEMBLY RATING



EASY —————> DIFFICULT

The Assembly Rating is a 5-point system showing the level of effort needed to assemble a specific product.



CHECK BEFORE STARTING

Are you missing anything?

Double-check all parts, hardware and accessories listed on Page 6 are accounted for.

Check out our Quick Tips!

We recommend reviewing the pre-assembly handouts. Even experts need a refresher now and then!

Should we send any replacements?

Are there any irregularities or flaws in the parts? We can send replacements!

Prep Time!

Please review the assembly instructions and all diagrams prior to assembling. Arrange parts as recommended on Page 7 and group identical hardware together to make assembling easier.

PRE ASSEMBLY INTRODUCTION

We understand building ready-to-assemble furniture can be a challenging experience for some. To help avoid confusion, we have provided some helpful tips that may speed up the process.



Teamwork

ALWAYS have at least two people to help with transporting and assembling the product to avoid potential injury and/or damage.



Suitable Location

Assembling near the area of the intended location is highly recommended.



Sufficient Space

Make sure you have enough space to move around during the assembly.



Avoid Scratches

Use cardboard, blankets or a carpeted area while assembling furniture to prevent scratches.



Flat Surface

Make sure the furniture rests on a flat and level surface with each leg evenly touching the floor.

ASSEMBLY AND CARE ADVICE



FAILURE TO FOLLOW THE GUIDELINES BELOW MAY RESULT IN INJURY AND/OR PROPERTY DAMAGE.



Position each part correctly and insert screws or bolts into their respective holes.



Turn clockwise to tighten and only tighten when step is completed or when instructed to do so.



Use the appropriate hand tools or power tools for assembly. Select steps, such as tightening screws and/or bolts, may require hand tools to avoid causing damage during assembly.



Save the instructions and store any supplied tools for later maintenance.



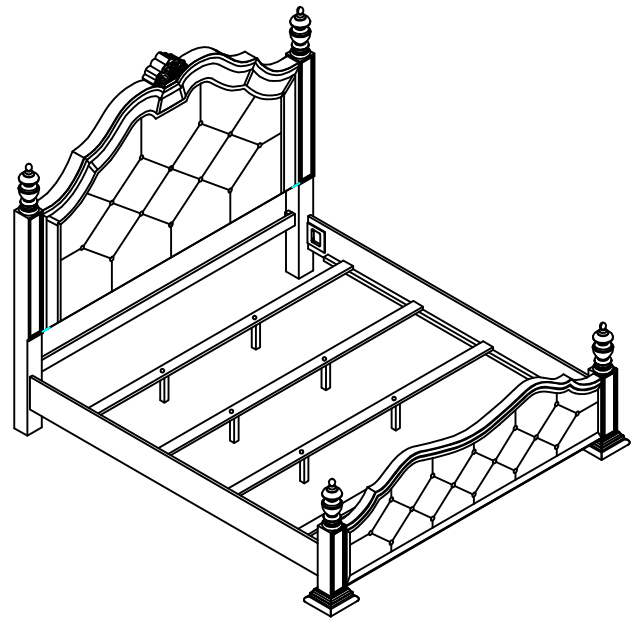
After two weeks, check and tighten any loose hardware and repeat again every six months thereafter.

IT IS THE USER'S RESPONSIBILITY TO MAINTAIN THE FURNITURE. THE HARDWARE MAY LOOSEN OVER TIME AND MAY CAUSE THE FURNITURE TO BE WOBBLY AND UNABLE TO SUPPORT ITS INTENDED WEIGHT CAPACITY. THIS MAY LEAD TO COLLAPSE AND MAY CAUSE SERIOUS INJURY.

E.KING BED CAL.KING BED

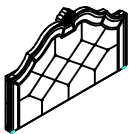


- Please keep instructions for future reference.
- Check the quantity and irregularity of parts and hardware before you start.



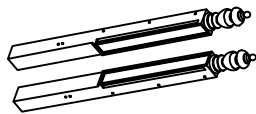
PARTS

#1 1pc



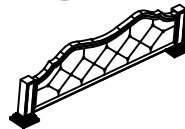
Headboard Panel

#2 2pcs



HB Leg (L&R)

#3 1pc



Footboard

#4 2pcs



Side Rail

#5 1pc



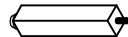
HB Support

#6 4pcs



Bed Slat

#7 8pcs



Support Leg $\text{Ø}\frac{1}{4}$
30*30*165mm

#8 2pcs



Footboard post

HARDWARE

#A 10pcs



Bolt
 $\text{Ø}5/16$ " x 2"

#B 10pcs



Lock Washer
 $\text{Ø}5/16$ "

#C 10pcs



Flat Washer
 $\text{Ø}5/16$ "

#D 1pc



Allen Wrench
4mm

#E 8pcs



Screw
#4 x 1-3/16"

#F 8pcs



Threaded Pins
 $\text{Ø}5/16$ " x 3-1/2"

#G 8pcs



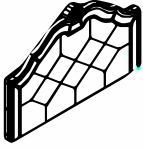





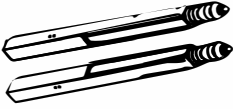
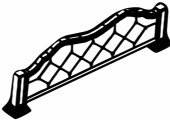


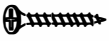





Hex Nut
 $\text{Ø}5/16$ "

#H 1pc

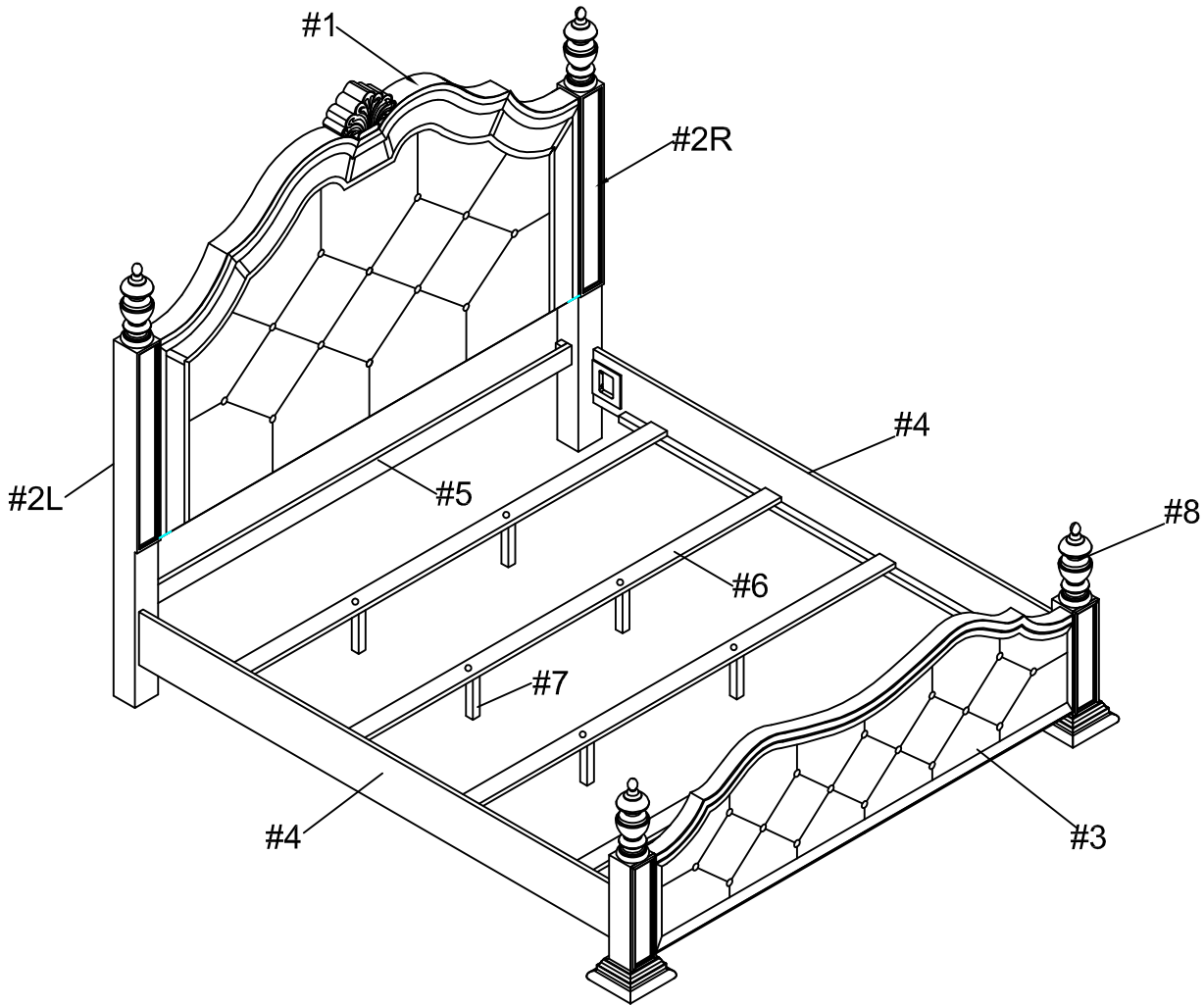


Wrench
14mm

packed in 4 cases

Disignation	Part		Hardware
Headboard Panel	#1		 #A 10pcs  #B 10pcs  #C 10pcs
HB Support	#5		 #D 1pc
HB Leg (L&R)	#2		
Footboard	#3		
Footboard post	#8		
Side Rail	#4		 #E 8pcs
Bed Slat	#6	 x 4	 #F 8pcs  #G 8pcs
Support Leg	#7	 x 8	 #H 1pc

Exploded View

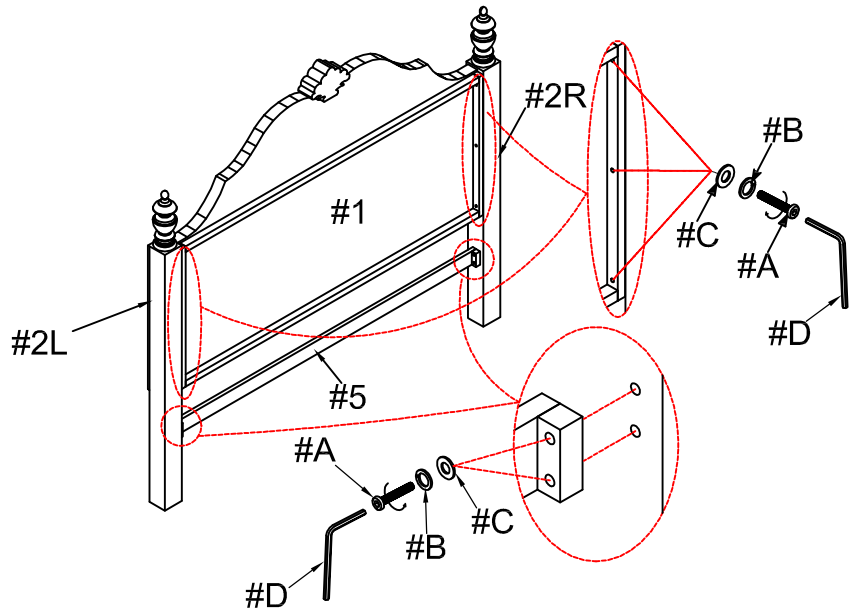


ASSEMBLY INSTRUCTIONS

1

Prepare 10 bolts assembly by inserting lock washer (#B), then flat washer (#C) onto bolts (#A). Align headboard (#1) and headboard support (#5) to the holes of the headboard legs (#2R/L), then secure with bolts (#A).

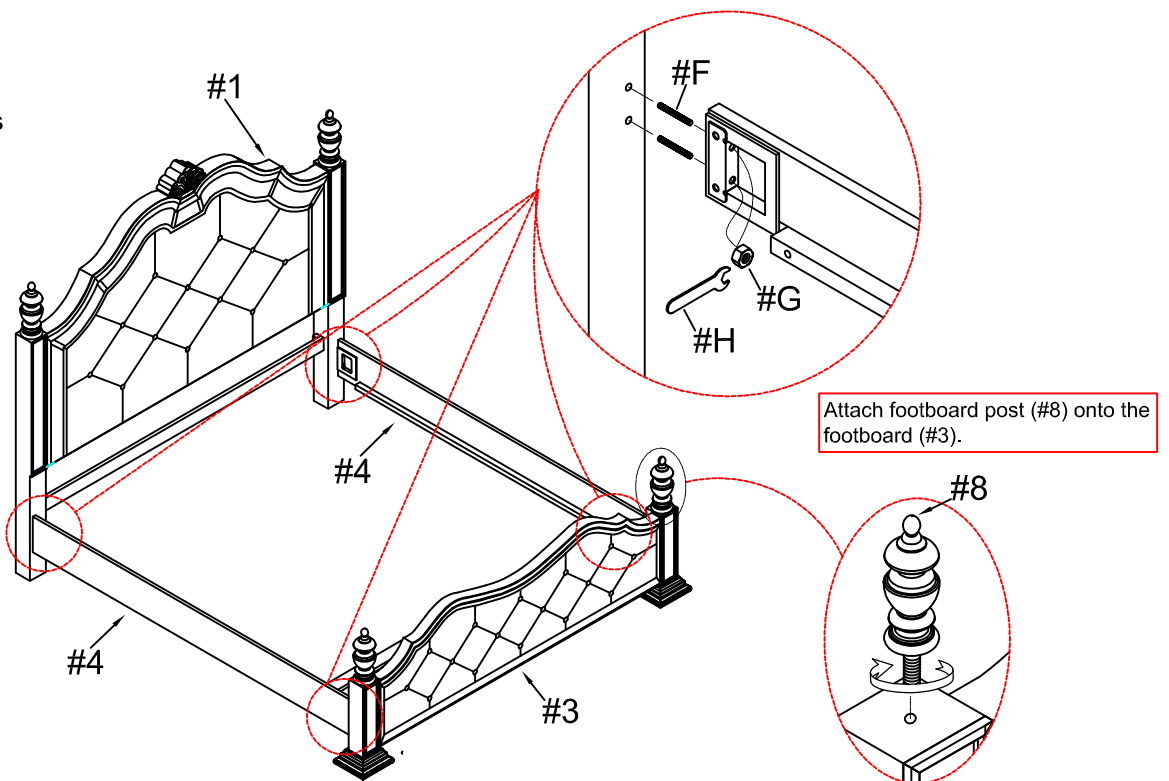
- Part #1 x1pc
- Part #2 x2pcs
- Part #5 x1pc
- Hardware #A x10pcs
- Hardware #B x10pcs
- Hardware #C x10pcs
- Hardware #D x1pc



2

Attach threaded pins (#F) to the holes of the headboard (#1) and footboard (#3). Align the side rails (#4) to the threaded pins (#F) that are attached to headboard (#1) and footboard (#3), secure with hex nuts (#G).

- Part #4 x2pcs
- Part #8 x2pcs
- Hardware #F x8pcs
- Hardware #G x8pcs
- Hardware #H x1pc

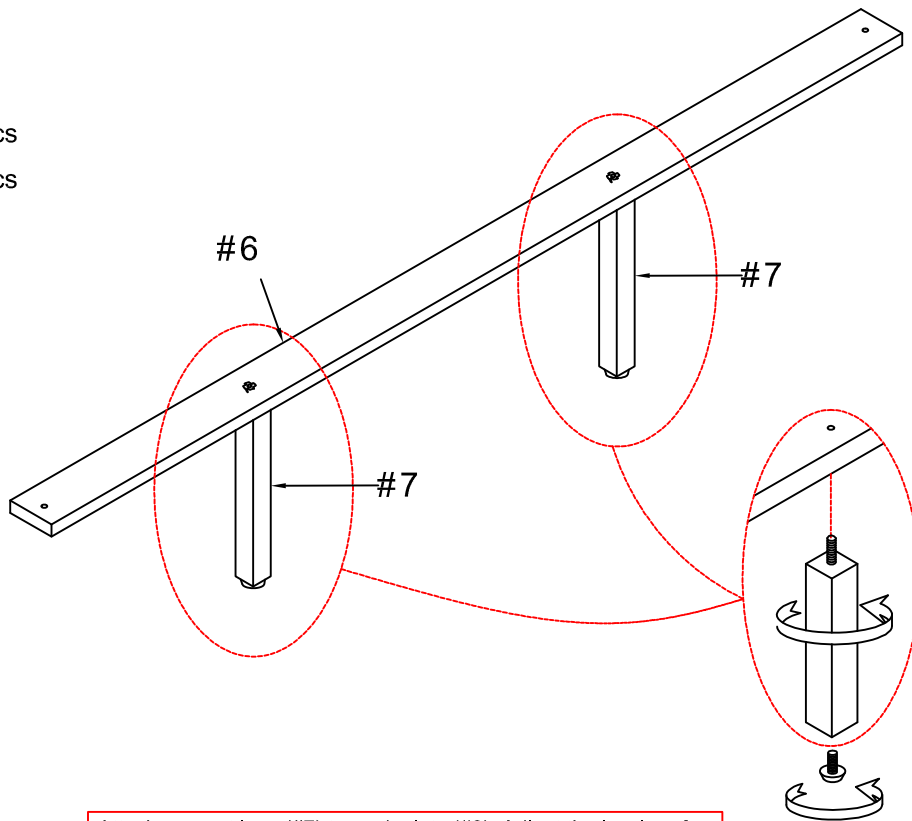


ASSEMBLY INSTRUCTIONS

3

Part #6 x4pcs

Part #7 x8pcs

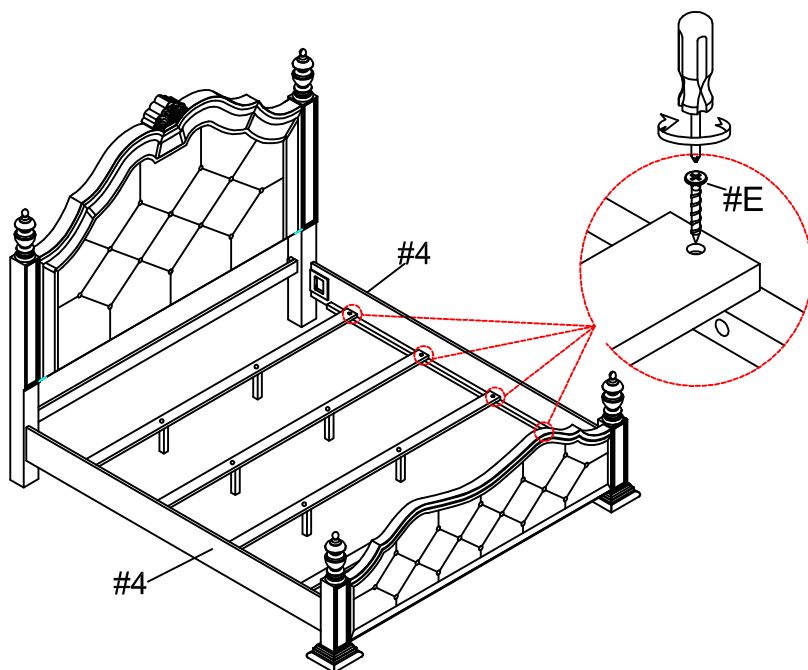


Attach support legs (#7) to each slats (#6). Adjust the level of the support legs (#7) according to ground level.

4

Hardware #E x8pcs

Align slats (#6) to the side rail (#4), then secure with screws (#E)



ASSEMBLY COMPLETED

Please ensure the furniture rests on an even and flat surface. If the product wobbles or feels loose, double-check all bolts and/or screws are properly tightened and secured.

- ✓ **Keep this handy!**
Please retain this instruction manual and any order-related information for future reference.
- ✓ **Lift, don't drag!**
To avoid damage to product please always LIFT the product when transporting or adjusting the placement.