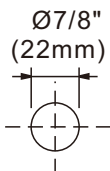
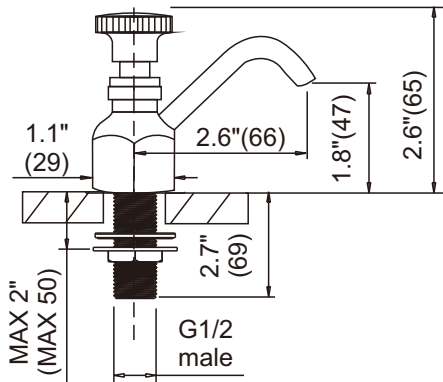
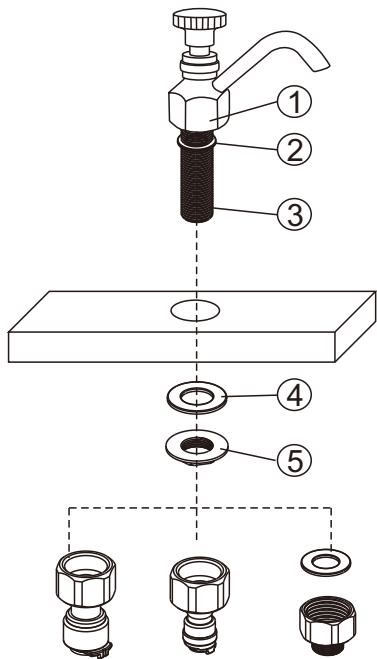


2316400C

inch(mm)



NOTE: NO WITH SUPPLY LINES



1. Turn off water supply and drain lines.
2. Place faucet (1) with the washer (2) through 7/8" hole in countertop.
3. Replace the washer (4) and nut (5) onto the threads (3) and tighten with a wrench at bottom side of countertop.
4. Use the appropriate connector to connect to the device