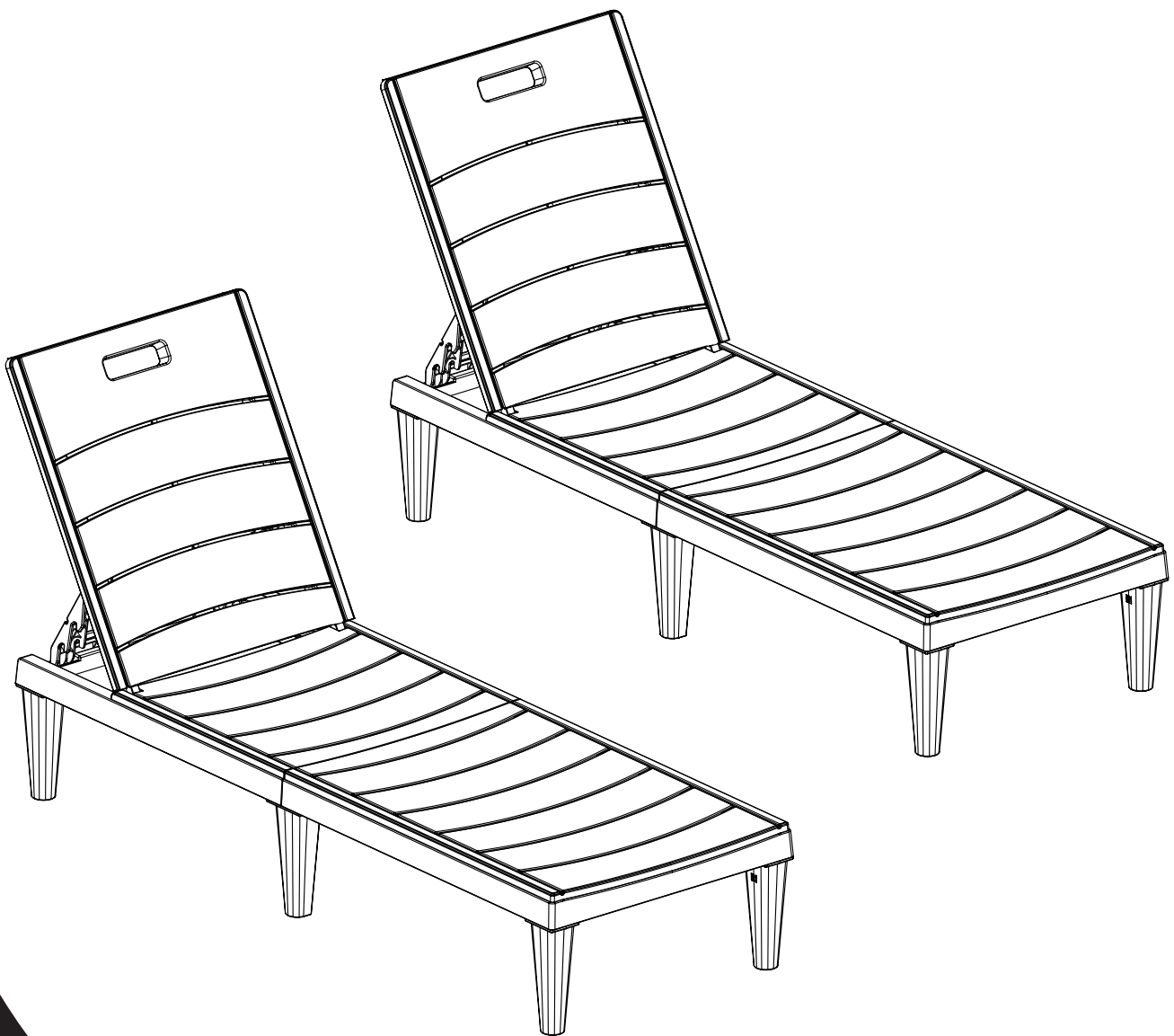


# ASSEMBLY INSTRUCTIONS

---

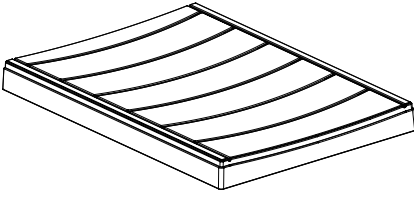
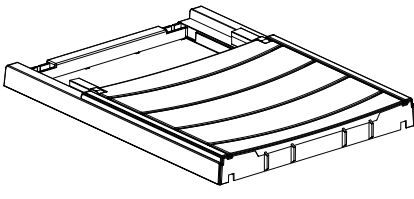
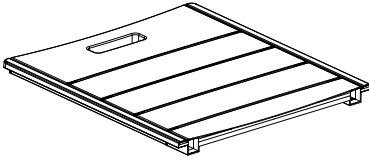

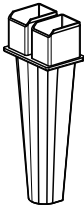
## ■ 2-Pieces

Patio Chaise Lounge Chair


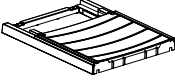


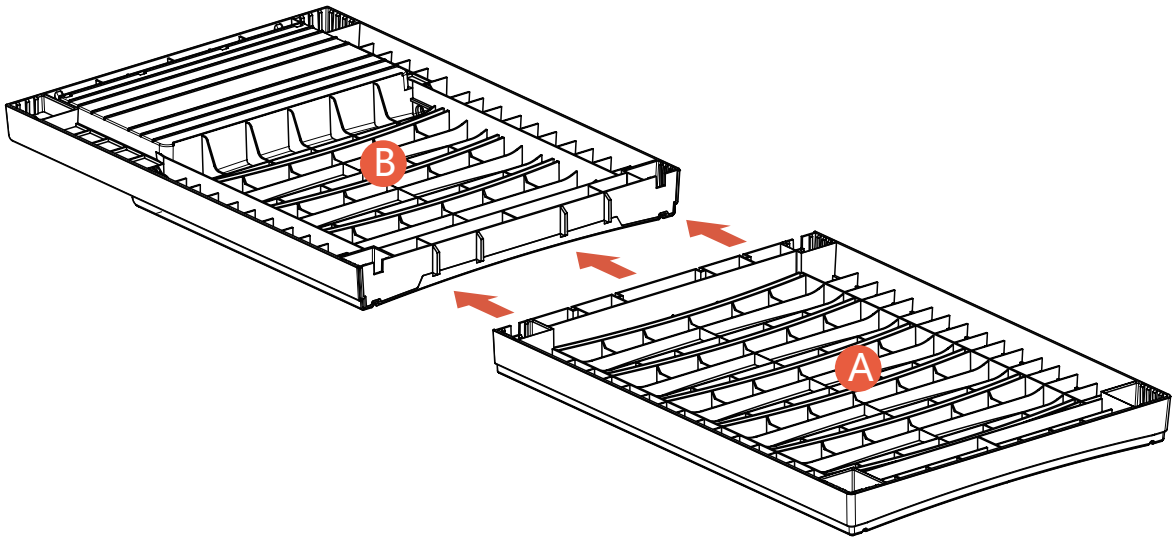
# Parts

Check and make sure you get the components on the list, contact us for any missing

A	 Tail bed board	X2	B	 Headboard	X2
CD	 Backrest	X2	M1	 Chair leg	X8
M2	 Middle chair leg	X4			

# Assembly steps

Step 1	 A (X1)	 B (X1)
--------	--	--



# Assembly steps

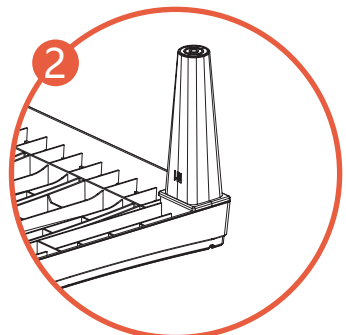
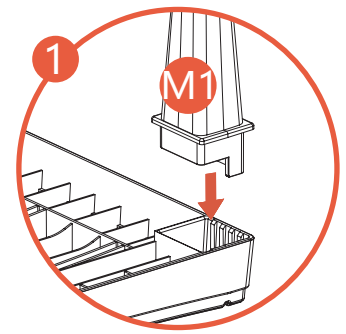
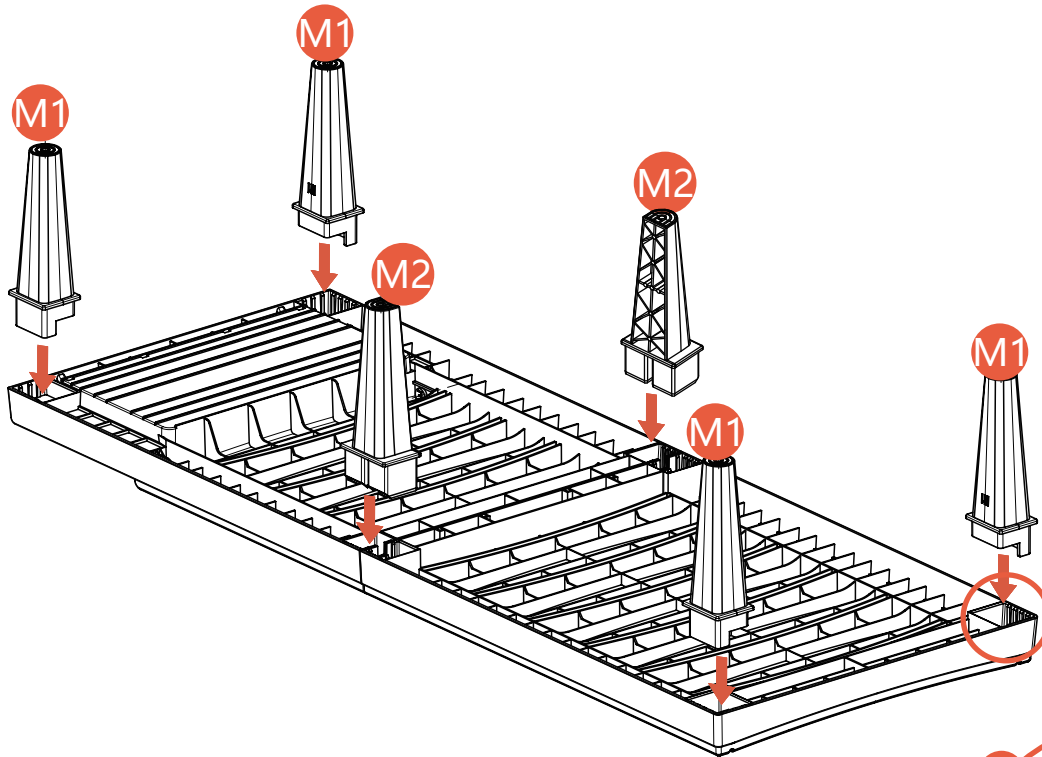
Step 2



M1 (X4)

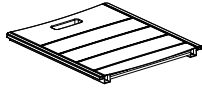


M2 (X2)

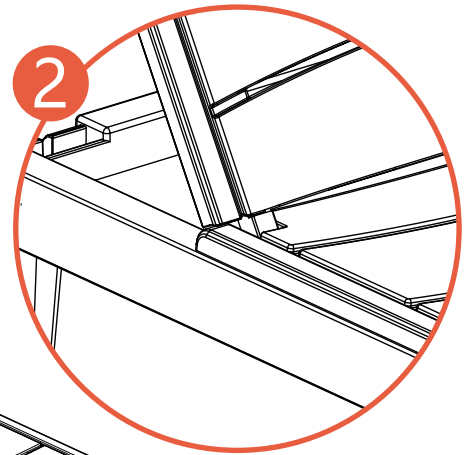
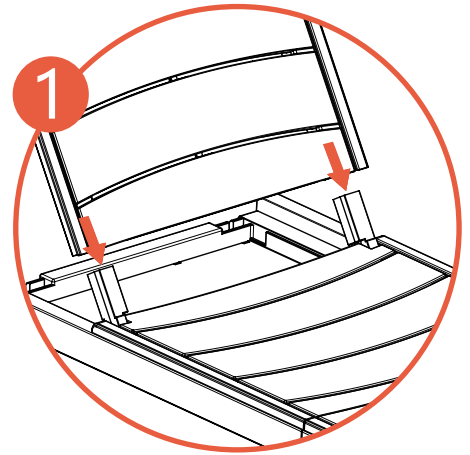
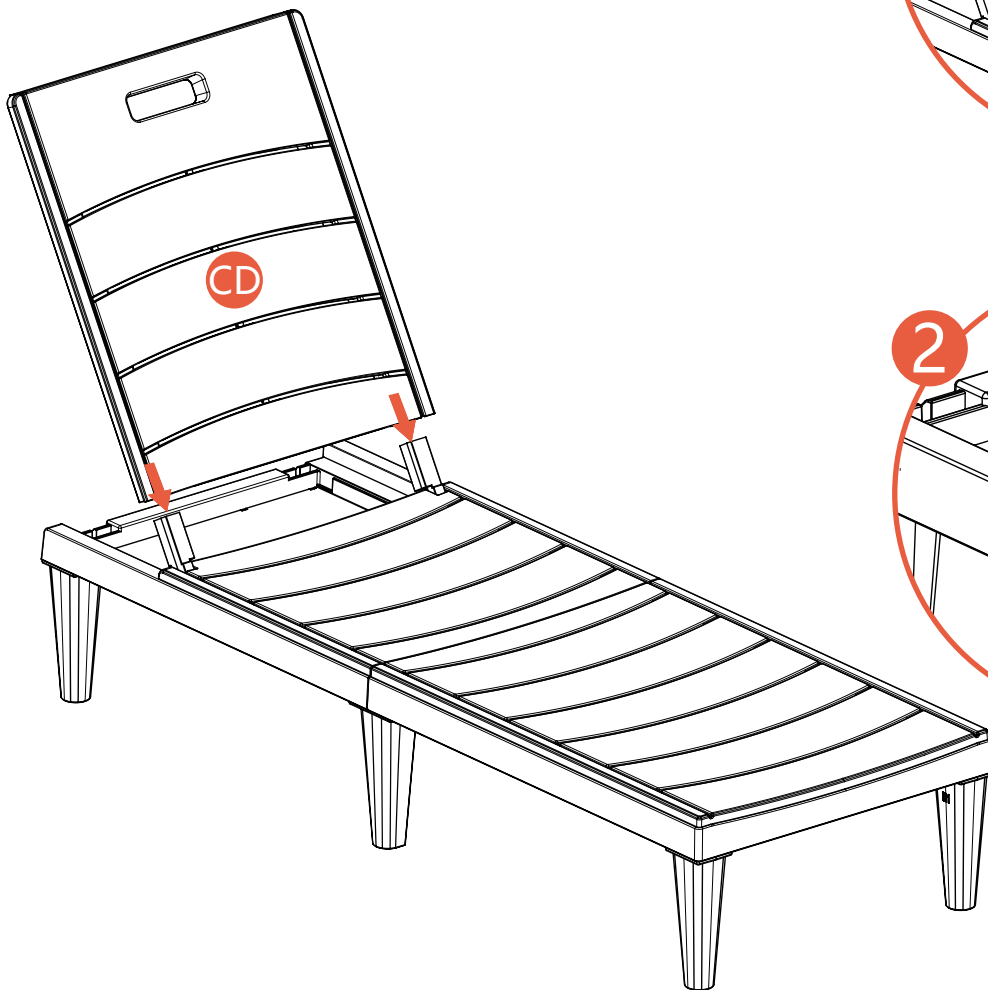


# Assembly steps

Step 3



CD (X1)



# Assembly steps

## Step 4

