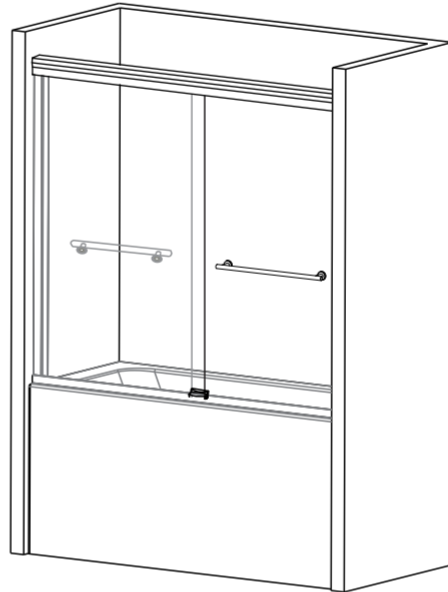
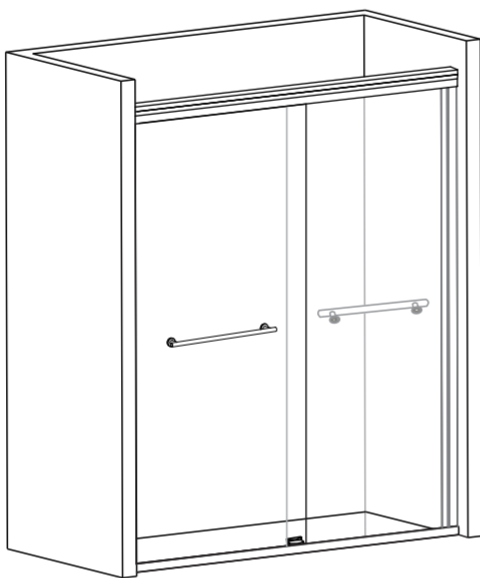


# INSTALLATION INSTRUCTIONS

---

Series:Glide



**THANK YOU FOR PURCHASING OUR PRODUCTS.  
FOR IMMEDIATE ASSISTANCE WITH ASSEMBLY  
OR PRODUCT INFORMATION ,PLEASE EMAIL US AT:**



**goodaftersale@hotmail.com**

Please include your order number and the model number in your email.

Our customer service team is available to assist you Monday to Friday  
8:00 AM to 5:00 PM (PST).

## ⚠ Important Notice Before Installation:

Please prepare 100% silicone sealant in advance (not included).

Application of silicone sealant during the final installation step is essential to prevent water leakage.

Refer to Page 11 for detailed sealant application locations.

## ◆ General Information

Inspect the product immediately upon receipt for any transit damage, missing parts, or manufacturing defects. Claims for damage reported after installation or later use will not be accepted.

Handle all glass components with care. Avoid impacts or shock loading to glass edges and surfaces, as this may cause damage.

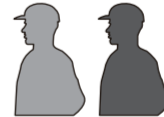
## ◆ Safety Notes

Safety glass must not be modified, cut, or reworked.

Read all installation instructions thoroughly before beginning installation.

Use extreme caution when drilling into walls to avoid concealed plumbing pipes or electrical wiring.

**Note:** This product is heavy—two-person installation is recommended.



## ◆ Aftercare instructions

Clean the shower enclosure regularly using mild soap and water.

This is especially important in hard water areas to prevent lime scale buildup.

Do not use abrasive, gritty, or harsh cleaning agents.

Strong chemical cleaners should be used with caution. If uncertain, consult the cleaner manufacturer before use.

Retain these instructions for future reference.

## ◆ Adjustments

The aluminum top rail may be trimmed up to 4 inches (10 cm) to accommodate width adjustments.

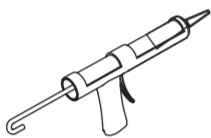
If the finished opening is smaller than the nominal size, the glass panel overlap will increase, which will reduce the walk-in opening width.

## ◆ Installation Tips

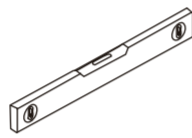
Measure the finished wall-to-wall opening prior to installation to confirm the correct model size.

These instructions apply to both shower door and tub door installations. Follow the same installation steps unless otherwise specified.

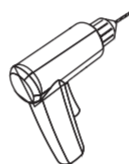
## Tools Required



Silicone Sealant



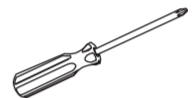
Level



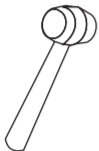
Drill



1/4" & 1/8" Drill Bits



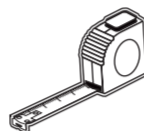
Screwdriver  
(Phillips)



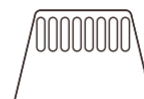
Rubber Hammer



Pencil



Tape Measure



Sealant  
Finishing Tool



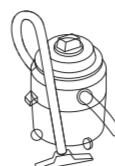
Painter's  
Tape



Safety Glasses



Work Gloves



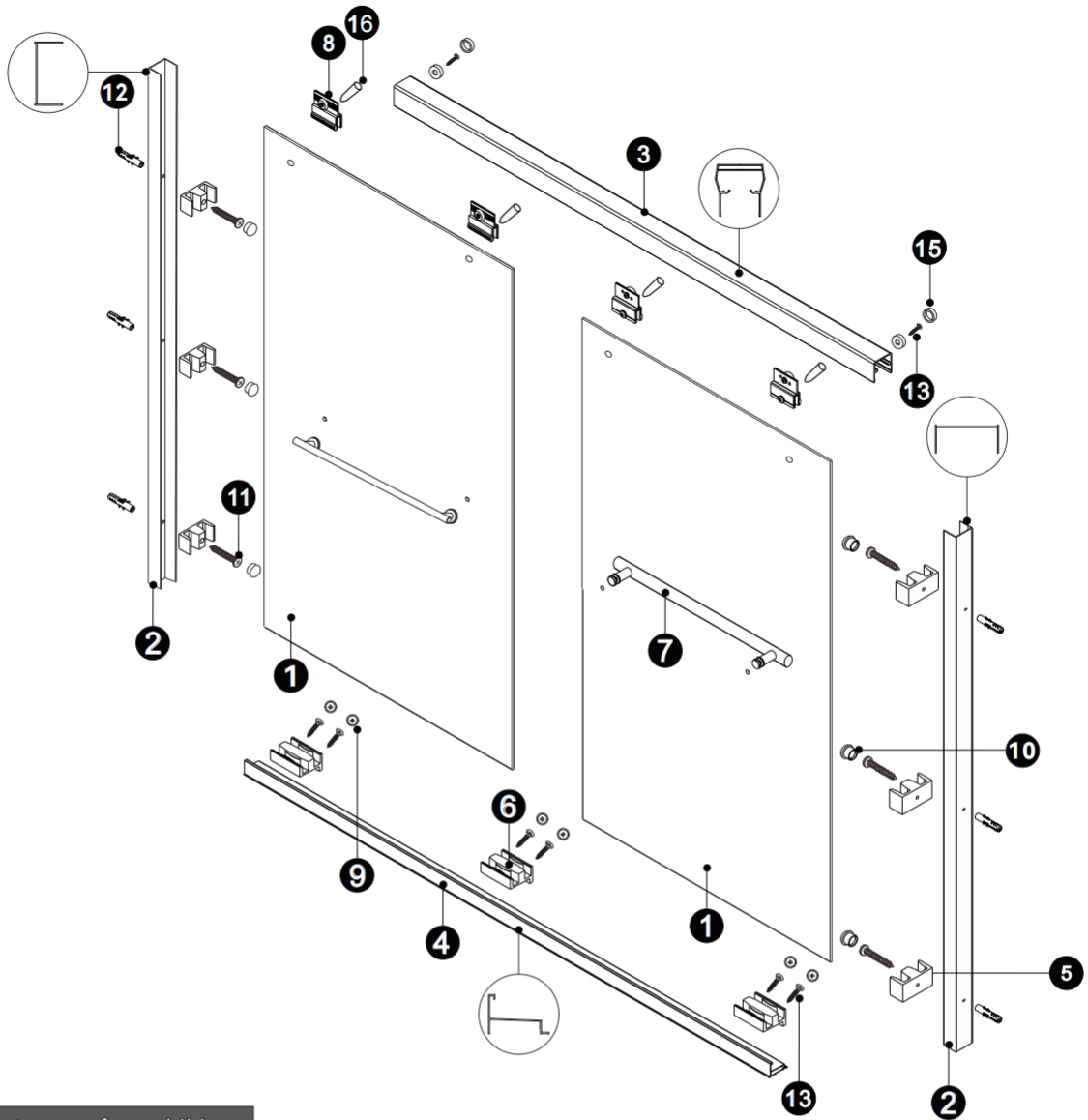
Vacuum Cleaner



Hacksaw

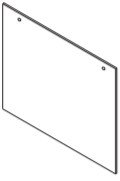
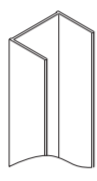
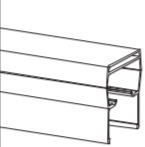
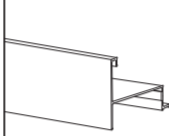
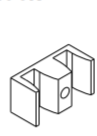
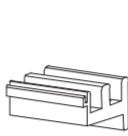
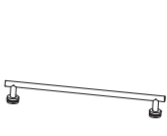
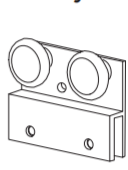
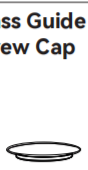






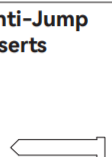
\* Use a 1/4" drill bit for ceramic when drilling into ceramic tiles

# PARTS LIST

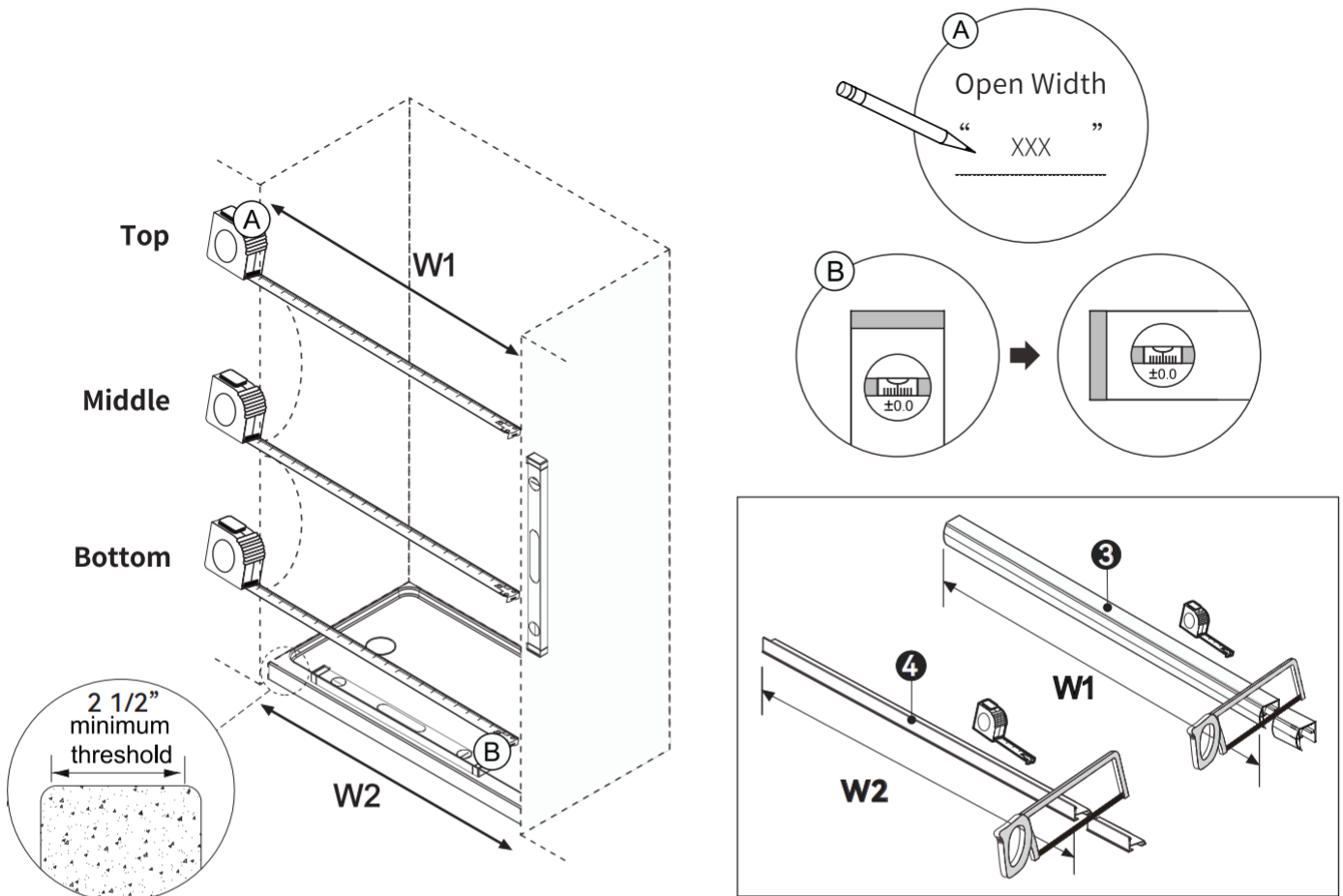


keep small parts away from children

## PACKING LIST

Glass Door	Wall Jamb	Top Rail	Bottom Rail	Anti-Collision Block	Glass Guides	Towel Bar	Roller Bracket Assembly
 <b>1</b> 2 PCS	 <b>2</b> 2 PCS	 <b>3</b> 1 PC	 <b>4</b> 1 PC	 <b>5</b> 6 PCS	 <b>6</b> 3 PCS	 <b>7</b> 2 PCS	 <b>8</b> 4 PCS
 <b>9</b> 6 PCS	 <b>10</b> 6 PCS	 <b>11</b> 6 PCS	 <b>12</b> 6 PCS	 <b>13</b> 8 PCS	 <b>14</b> 1 PC	 <b>15</b> 2 PAIRS	 <b>16</b> 4 PCS

# MEASUREMENT



1. Verify that the shower threshold is level and the walls are plumb.
2. Measure the finished wall-to-wall opening (after tile installation) at the following locations:  
 Top width (W1) – measure between finished walls at the top.  
 Bottom width (W2) – measure between finished walls at the threshold.
3. If your wall-to-wall opening width matches the nominal model size, no rail cutting is required.  
 → Proceed to the next installation step.
4. If your opening width is smaller than the model size, both the top rail and bottom rail must be cut according to the Cutting Guide below.

**IMPORTANT:** Never cut the top and bottom rails to the same length.

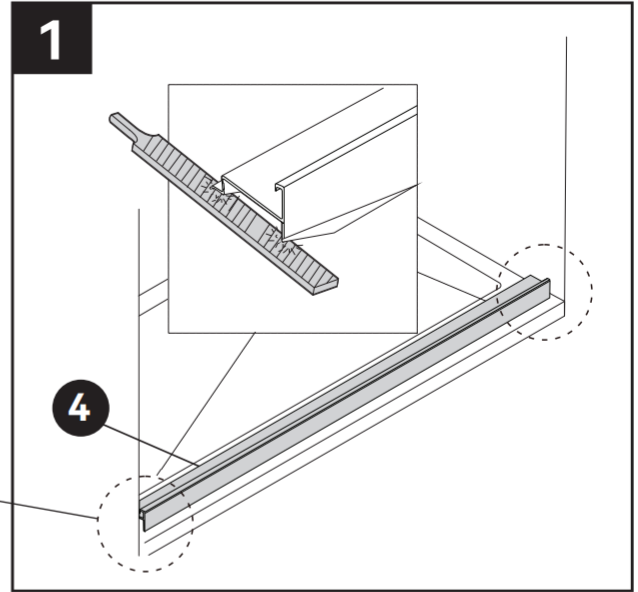
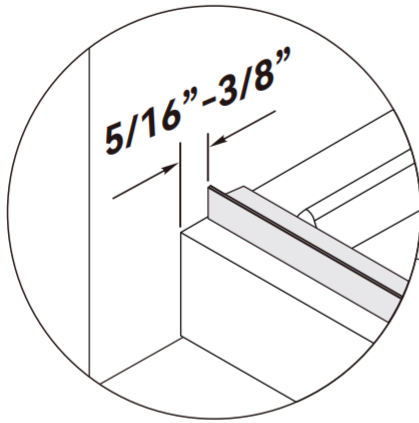
**NOTE:** The top rail matches the nominal model width.  
 The bottom rail is intentionally shortened for installation between wall profiles, allowing for adjustment and precise alignment during installation.

## Cutting Guide (Refer to Table Below):

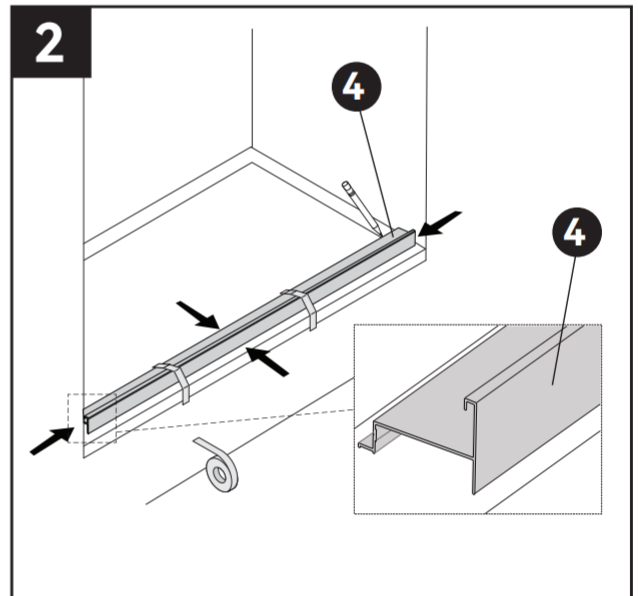
Model Size	Top Rail Length	Cut Length (Top Rail)	Bottom Rail Length	Cut Length (Bottom Rail)
44" - 48"	48"	=48" - W1 (top dimensions)	47 13/16"	=47 13/16" - W2
50" - 54"	54"	=54" - W1 (top dimensions)	53 13/16"	=53 13/16" - W2
56" - 60"	60"	=60" - W1 (top dimensions)	59 13/16"	=59 13/16" - W2

# INSTALLATION INSTRUCTIONS

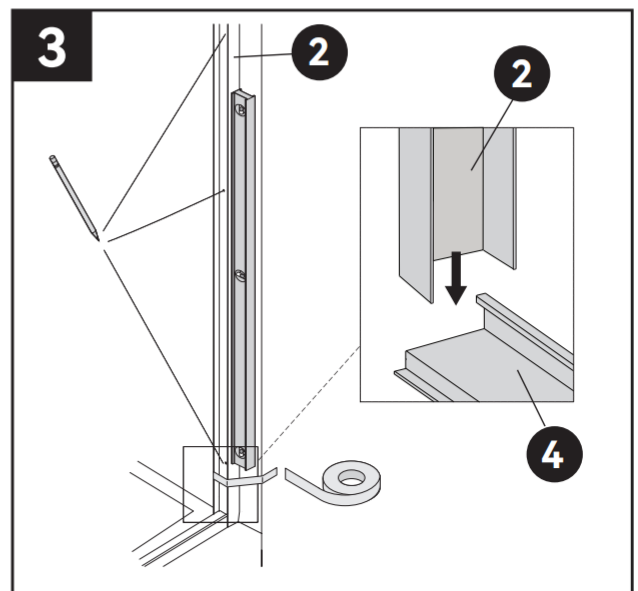
1. Position the bottom rail (4) along the top front ledge of the shower tray with a  $5/16''-3/8''$  clearance, then mark and file the bottom edges as required to ensure a tight fit.



2. Center the bottom rail (4) on the top ledge of the shower tray and temporarily secure it in place using tape (not included). Once secured, use a pencil (not included) to mark the position along the inside edge of the bottom rail (4).



3. Place the wall jamb (2) against the wall, ensuring proper alignment with the bottom rail (4). Temporarily secure the wall jamb (2) with tape (not included) if needed. Use a level (not included) to confirm that the wall jamb is plumb, then mark the positions of the three holes with a pencil. File the bottom corners of the bottom rail (4) as required for a snug fit. Repeat the procedure for the opposite side.



**NOTE: Both the bottom rail (4) and wall jamb (2) must sit flat and level against the top ledge of the shower tray and the wall.**

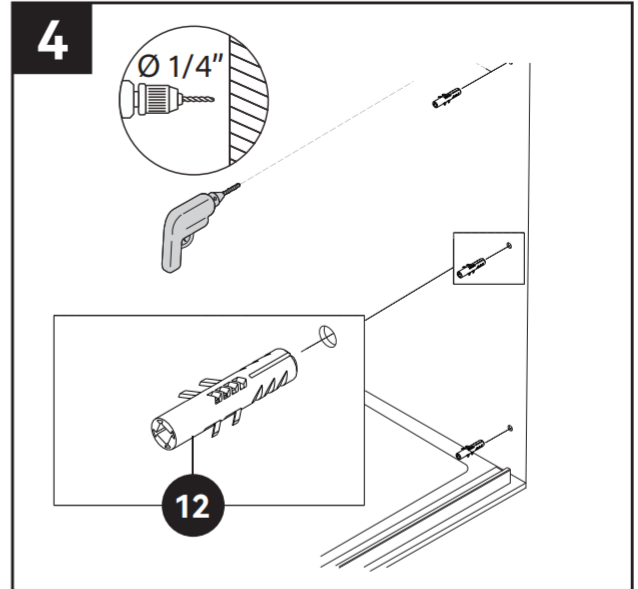
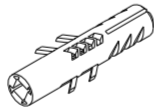
# INSTALLATION INSTRUCTIONS

4. Remove the wall jamb (2) and set it aside. Use a 1/4" drill bit (not included) to drill holes at the marked locations.

**NOTE: Make sure to use the correct type of drill bit for the mounting surface. Insert wall anchors(12) into the drilled holes.**

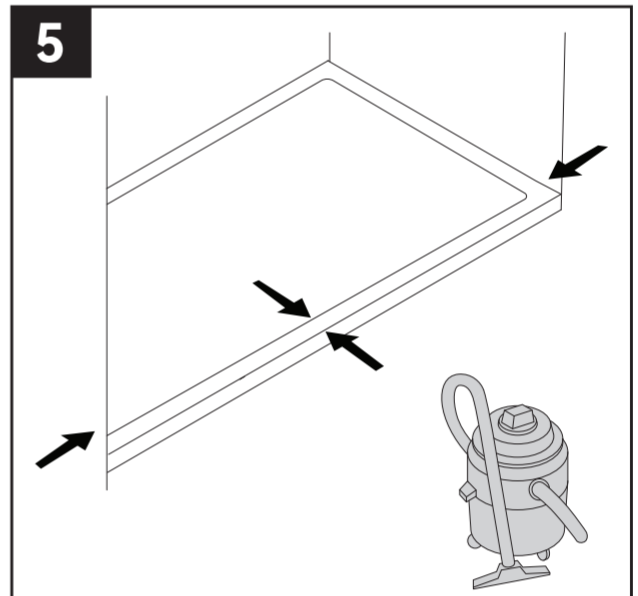
## Hardware Used

**12** Wall anchor x 6

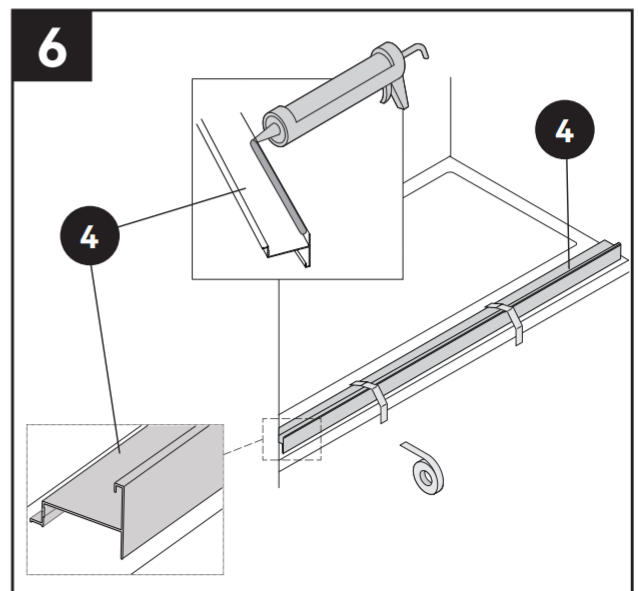


5. Remove the bottom rail (4) and tape from the top front ledge of the shower tray. Use a vacuum cleaner (not included) to remove any debris, then wipe the area with a soft, damp cloth.

**NOTE: Make sure not to erase the pencil marks.**



6. Apply 100% silicone sealant (not included) into the groove on the underside of the bottom rail(4). Align and secure the bottom rail (4) to the top front ledge of the shower tray along the previously marked locations. Use tape to hold the track in place while the silicone cures.

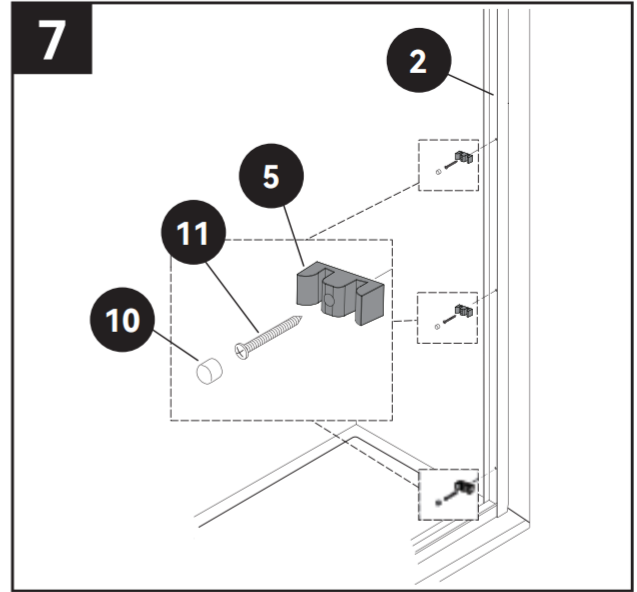


# INSTALLATION INSTRUCTIONS

7. Install the anti-collision block (5) into the wall jamb (2) using the anchor screws (11). Attach the anti-collision screw cap covers (10) over the installed anchor screws (11).

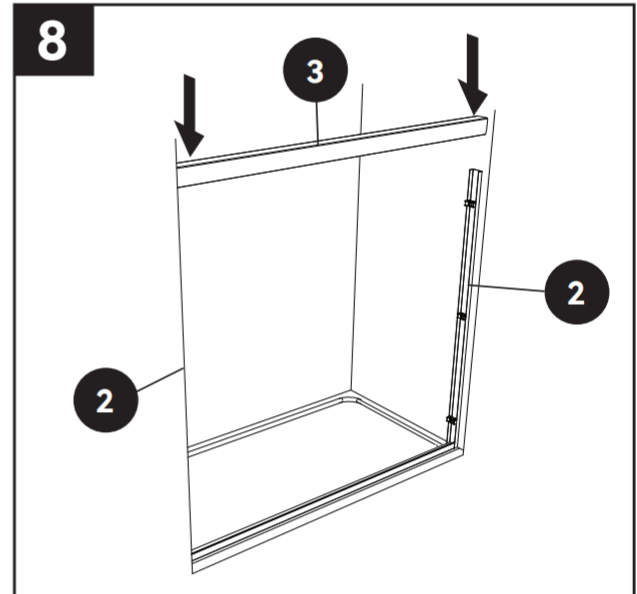
## Hardware Used

<b>5</b>	Anti-Collision Block		x 6
<b>11</b>	St4x40mm Self-Tapping		x 6
<b>10</b>	Anti-Collision Cover Cap		x 6



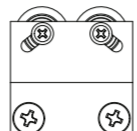
8. Position the top rail (3) over the wall jamb (2). Slide the top rail (3) down to fit securely on top of the wall jamb (2).

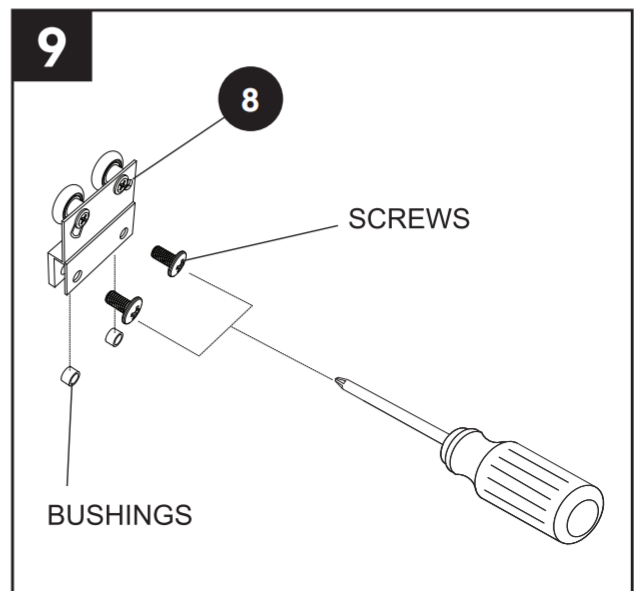
**NOTE: Either side of the top rail (3) can face outward.**



9. Remove the preassembled screws from the roller bracket (8). Save all hardware, including the plastic bushings (released), for use in later steps.

## Hardware Used

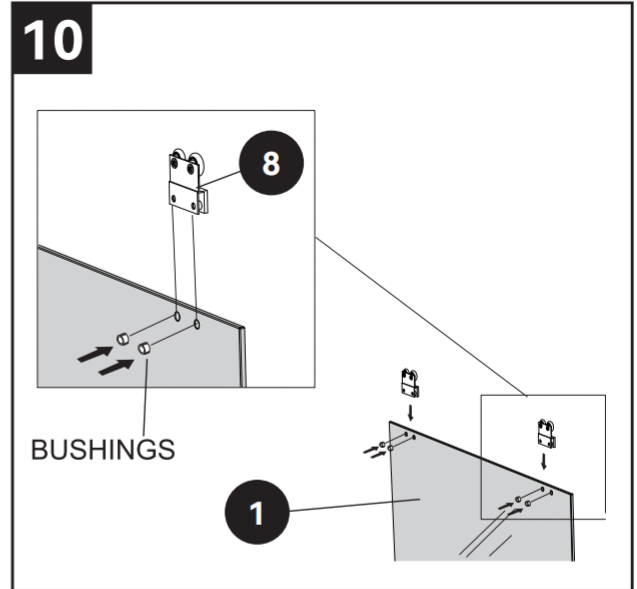
<b>8</b>	Roller Bracket Assembly		x 2
----------	-------------------------	---	-----



# INSTALLATION INSTRUCTIONS

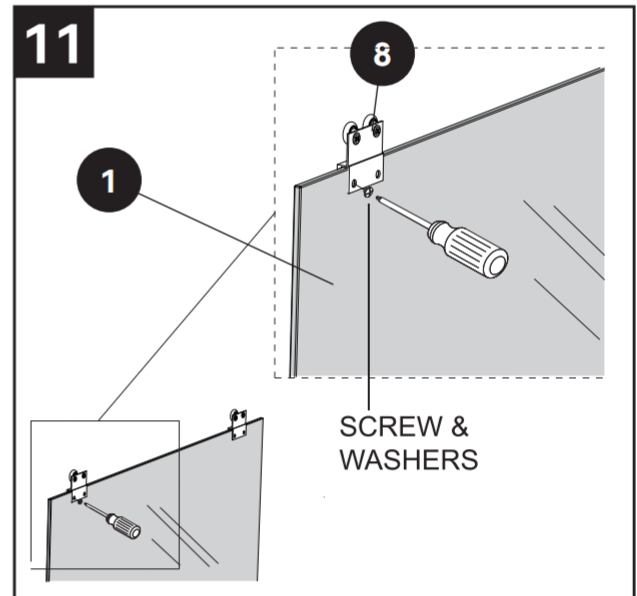
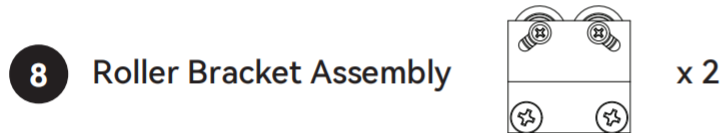
10. Insert the plastic bushings into each hole at the top of both glass door panels (1). Slide the glass roller brackets (8) over the glass door panels (1) and align them with the inserted bushings.

## Hardware Used



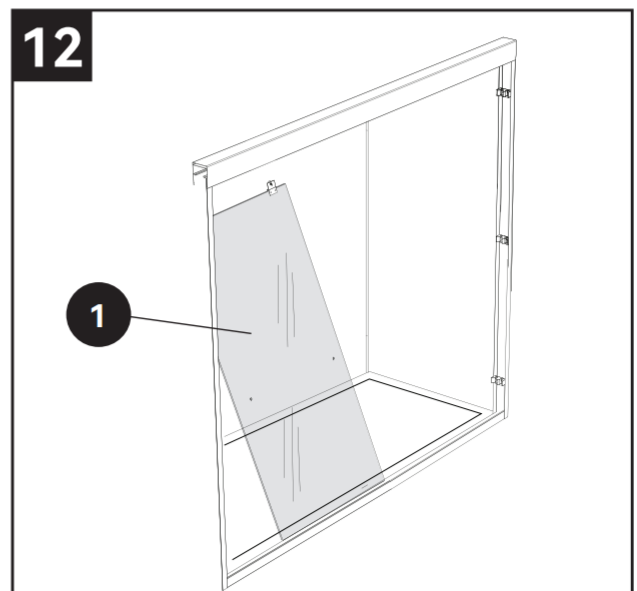
11. Insure the glass roller brackets (8) are properly aligned with the holes on the glass door panels (1), then secure them using the previously removed screws and washers

## Hardware Used



12. Carefully lean one glass door panel (1) inside the shower tray with the wheels facing away from the front.

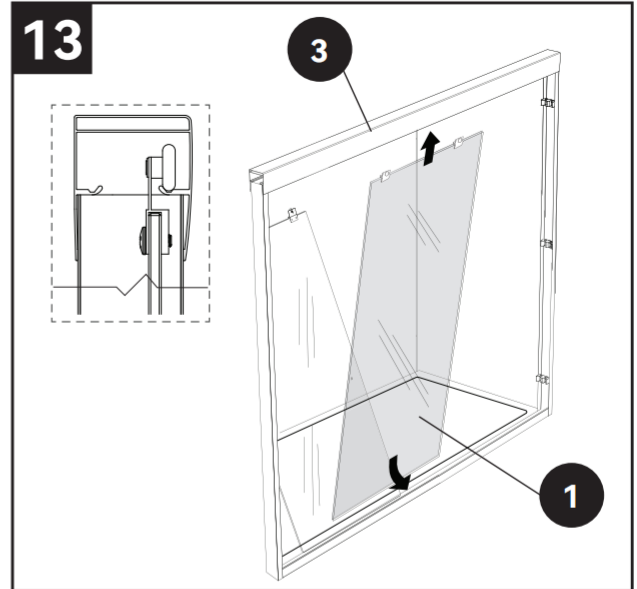
**NOTE: Place a folded towel (not included) under the bottom edge of the glass to protect both the glass and the shower tray surface.**



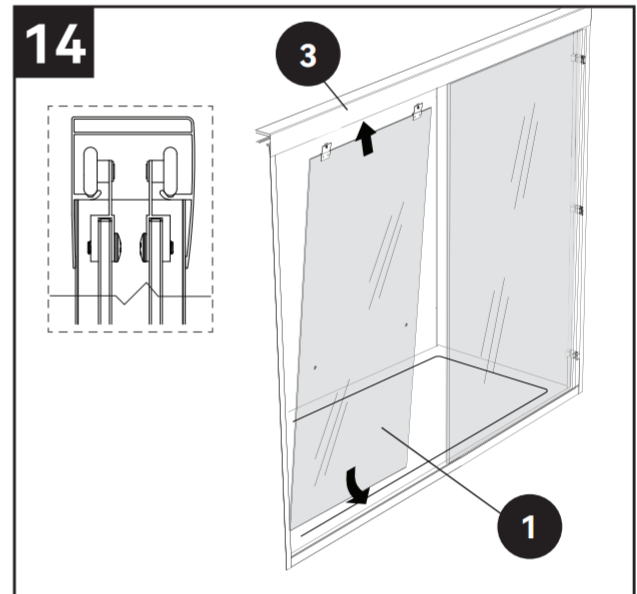
# INSTALLATION INSTRUCTIONS

13. Stand outside the shower tray and lift the second glass door panel (1) with the wheels facing you. Lower the bottom edge of the glass door panel (1) into the shower tray, then lift the wheels into the top rail (3). Pull the top of the glass door panel (1) toward you to engage the wheels on the inside of the top rail (3), then carefully swing the bottom of the glass door panel (1) into a vertical position.

**NOTE: Roll the glass door panel (1) back and forth to confirm proper installation.**



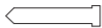
14. Standing inside the shower tray, hold the glass door panel (1) with the wheels facing away from the front. Lift the wheels into the top rail (3) and pull the top of the glass door panel (1) toward you to engage the wheels on the inside of the top rail (3). Carefully swing the bottom of the glass door panel (1) into a vertical position, rolling the door back and forth to ensure it is installed correctly.

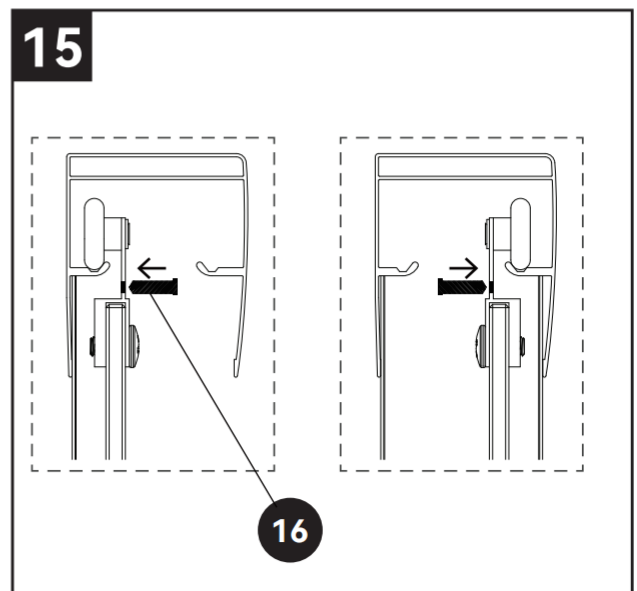


15. Locate the small hole on the top of each glass roller bracket (8). Insert one anti-jump insert (16) into each bracket to help prevent the glass door panels (1) from falling.

**NOTE: Each glass roller bracket (8) should have one anti-jump insert (16) installed.**

## Hardware Used

16 Anti-Jump Inserts  x 4



# INSTALLATION INSTRUCTIONS




16. Slide both glass door panels (1) to one side. Install all three glass guides (6) into the bottom rail (4) from inside the shower tray. Tilt each glass guide (6) back while inserting the top edge underneath the lip along the top edge of the bottom rail (4). Slide the glass guides (6) to their approximate final positions: one at each end and one in the center.

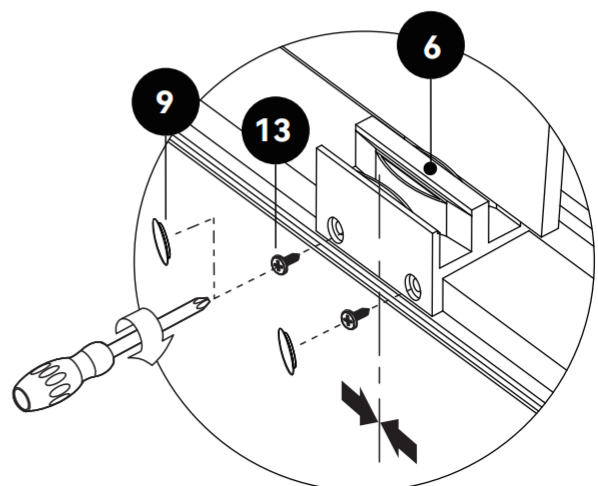
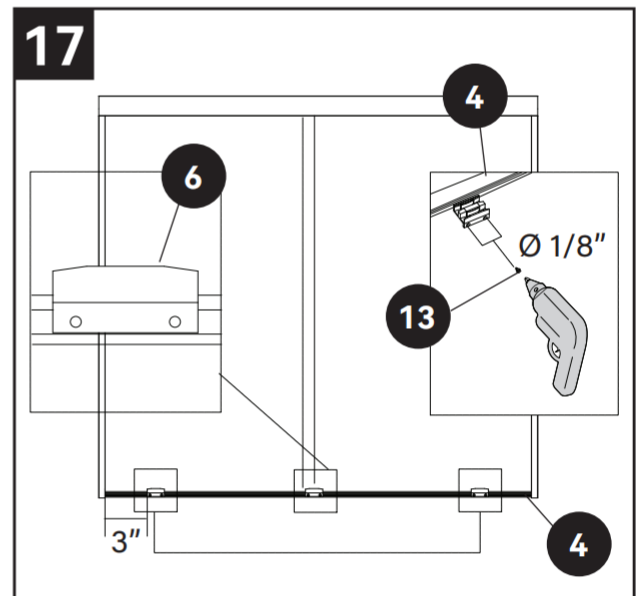
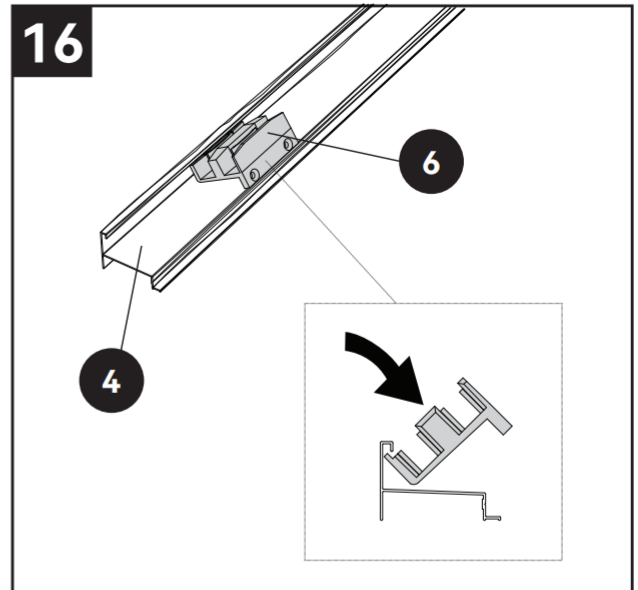
## Hardware Used

- 6** Glass guide  x 3

17. Position both outer glass guides (6) so that the outside edge is 3 in. from each wall. With the glass guides (6) firmly seated, use a 1/8 in. drill bit (not included) to create pilot holes through the two holes in each glass guide (6) into the bottom rail (4). Use a drill (not included) to install one glass guide screw (13) into each pilot hole to secure the glass guides (6) in place. Center the remaining glass guide (6) on the bottom rail (4), then drill and screw it into place. Finally, press the glass guide screw caps (9) onto each glass guide screw (13) by hand.

## Hardware Used

- 6** Glass guide  x 3
- 13** ST4x 13mm Self-Tapping  x 6
- 9** Glass Guide Screw Cap  x 6



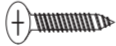

# INSTALLATION INSTRUCTIONS

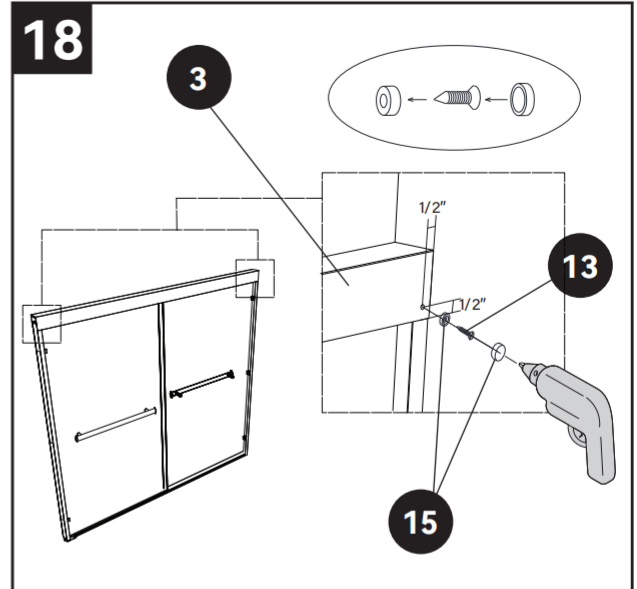
18. Measure 1/2 in. from the wall and 1/2 in. up from the inside bottom of the top rail (3). Use a 1/8 in. drill bit (not included) to create a pilot hole.

Install the set screw (13) into the hole using a drill (not included), then push the set screw cap (15) over the set screw (13) by hand.

Repeat the procedure for the other side.



## Hardware Used

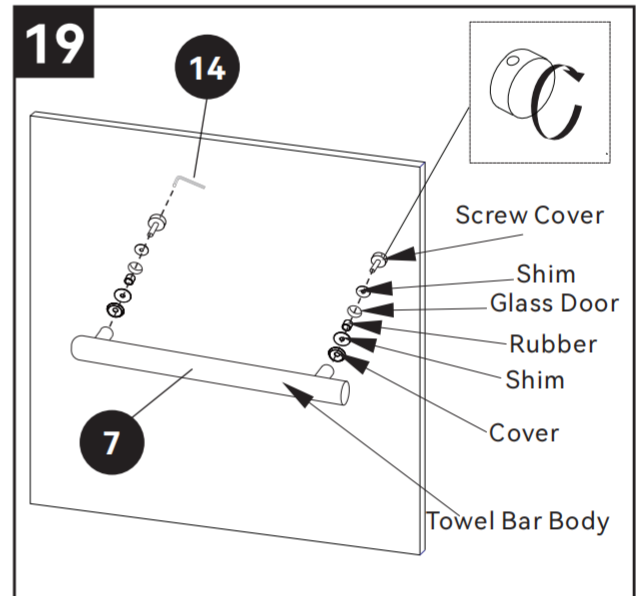
- |           |                        |   |     |
|-----------|------------------------|---|-----|
| <b>13</b> | ST4x 13mm Self-Tapping |  | x 2 |
| <b>15</b> | Screw Cap              |  | x 2 |



19. Position the towel bars (7) on the movable glass doors (1) as shown in the illustration, ensuring the inner door towel bar faces inward and the outer door towel bar faces outward. Secure each towel bar using the provided Hex Key (14) and tighten firmly, but do not overtighten to avoid damaging the glass.

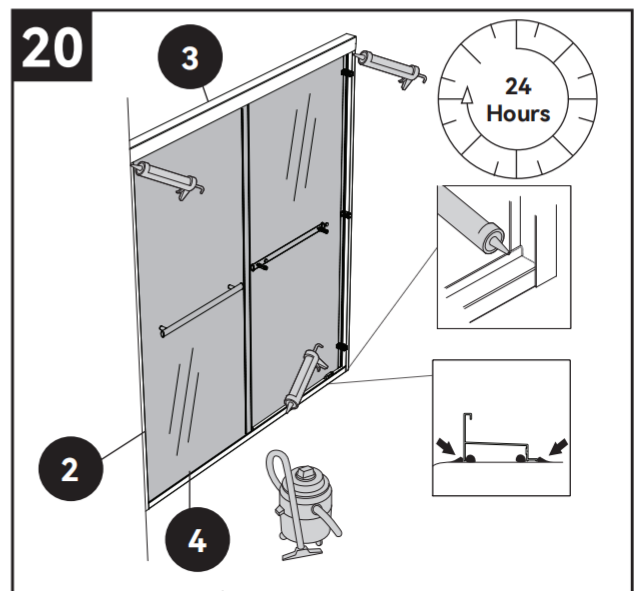
## Hardware Used

- |           |           |   |     |
|-----------|-----------|---|-----|
| <b>7</b>  | Towel Bar |  | x 2 |
| <b>14</b> | Hex Key   |  | x 1 |



20. Apply Silicone Sealant: Use 100% silicone sealant to seal all outside edges of the bottom rail (4), wall jamb (2), and top rail (3). Before applying the sealant, ensure all surfaces are clean and free of debris. After sealing, wipe away any excess silicone and vacuum any remaining debris for a clean finish.

**Note: Allow 24 hours for the silicone to fully cure before using the shower.**



## CARE AND MAINTENANCE

---

- Do not use abrasive cleaners. Wipe clean with a soft cloth and water.
- Regular use of a squeegee to remove standing water from glass doors will keep them clean and easier to maintain.
- To avoid soap deposits and lime buildup, wipe doors dry after each use.
- Use a solution of white vinegar and water in place of chemical cleaners.
- When using a chemical cleaning solution always test on an inconspicuous area before applying to whole surface.
- Do not let any cleaners soak on the surface; rinse clean with water and wipe dry.
- Never use cleaning instruments with bristles or sharp edges as they can scratch the glass and the metal surfaces.

## TROUBLESHOOTING

---

PROBLEM	POSSIBLE CAUSE	CORRECTION
Top of door is tilted away from wall	Wheels in hanger brackets need to be adjusted	Remove the door from track and lower the wheel closest to the wall
Bottom of door is tilted away from wall	Wheels in hanger brackets need to be adjusted	Remove the door from track and lower the wheel closest to the wall
Water leaking between panels	Doors are in wrong position	When showering, make sure the inside door is closest to the shower head
Water leaking between vertical side track and door panel	Door not aligned	Adjust door to align with vertical side track
Water leaking under bottom track	Needs more sealant	Check for proper silicone sealant
Doors are hard to move	1. Door sitting too low	1. Check that there is a gap between bottom of doors and the glass guides; if not then remove doors and make adjustments to raise them
	2. Roller is off track	2. Lift up on door and put roller back in track
	3. Debris in roller track	3. Clean any debris from roller tracks inside the top track