

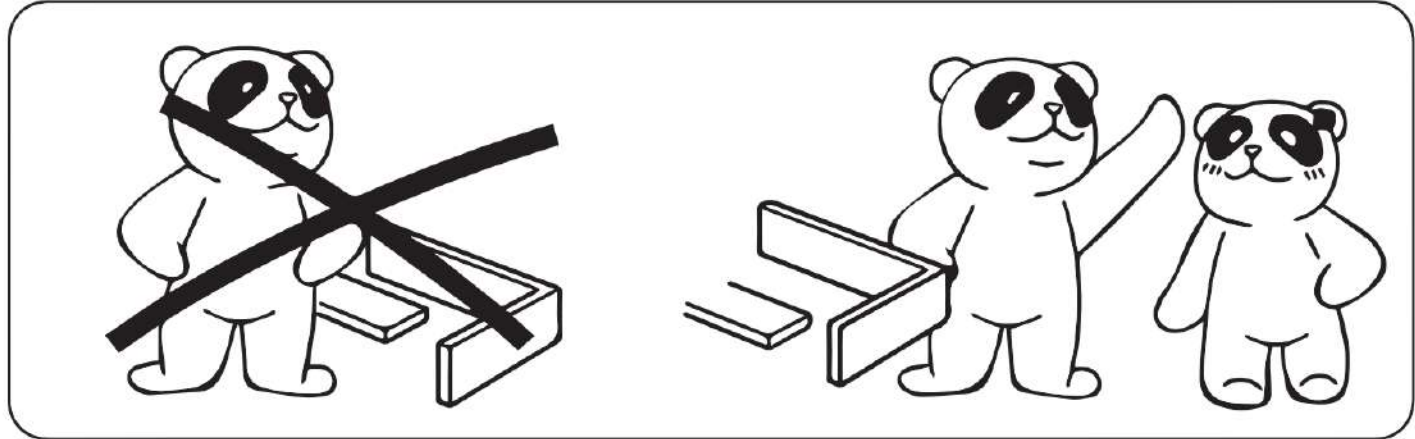
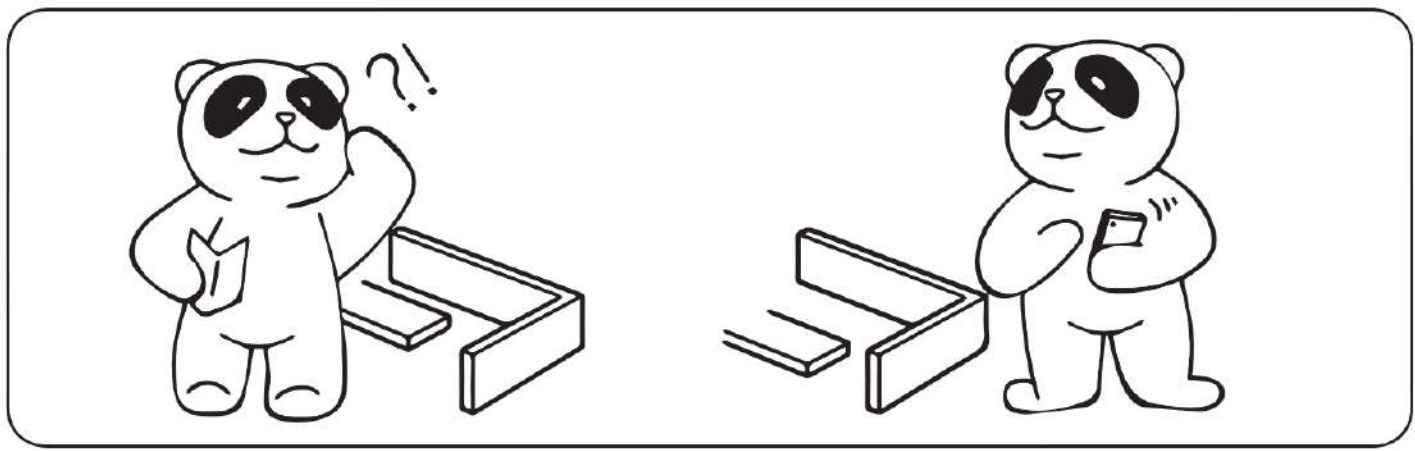
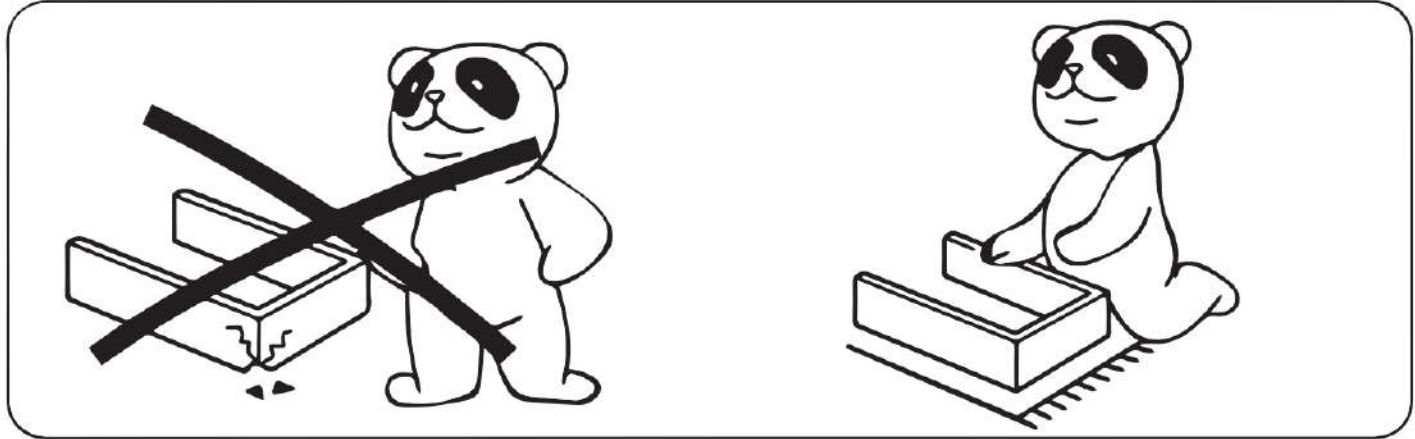
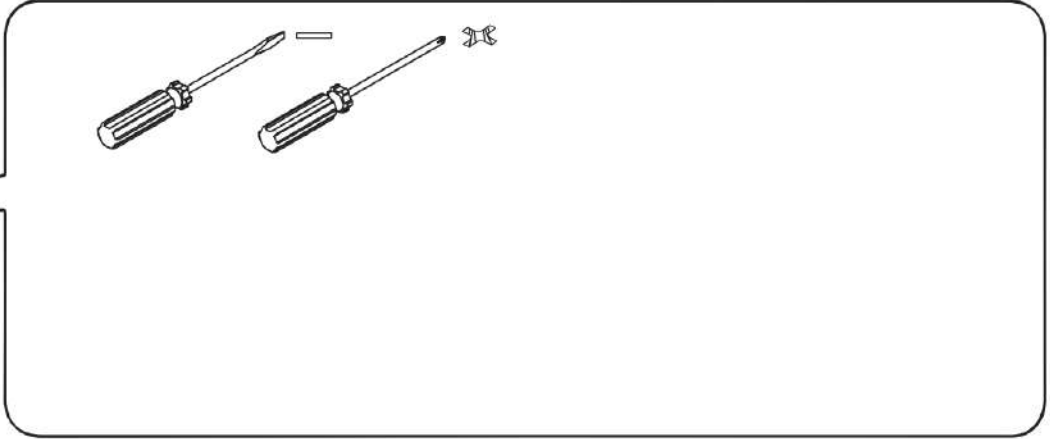
---

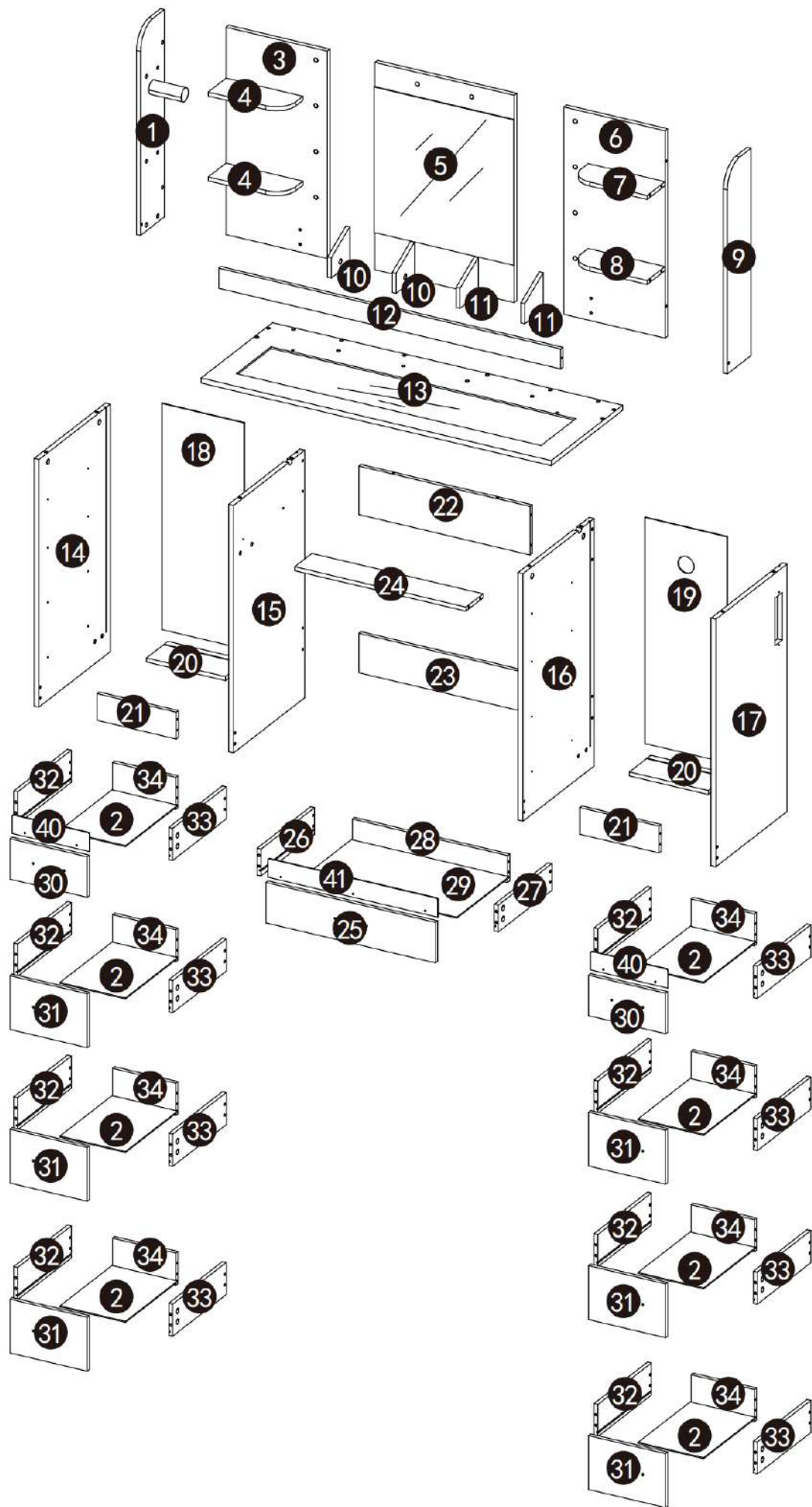
## *Instruction Manual*

---


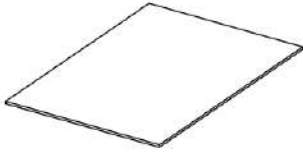
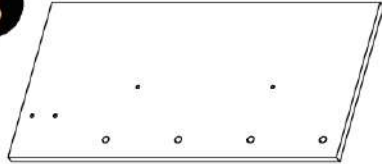

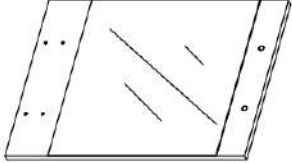
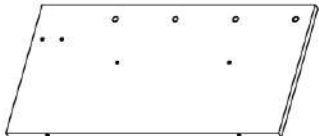
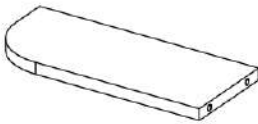
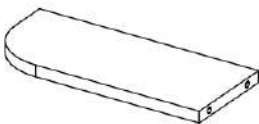
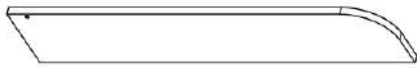
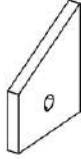
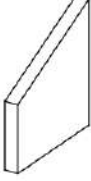

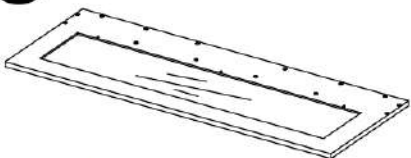

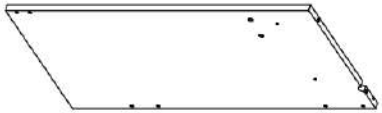
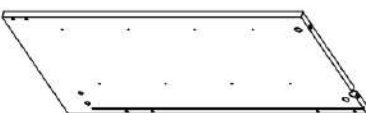
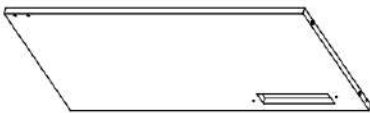


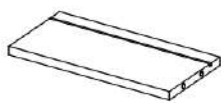
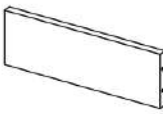
Thanks a lot your support and purchasing.

Please feel free to contact us if you have any questions with assembly or need replacement parts.





# PARTS LIST

<p><b>1</b></p>  <p>641x110x12mm x1</p>	<p><b>2</b></p>  <p>183x296x3mm x8</p>	<p><b>3</b></p>  <p>276x640x12mm x1</p>
<p><b>4</b></p>  <p>205x96x12mm x2</p>	<p><b>5</b></p>  <p>470x640x12mm x1</p>	<p><b>6</b></p>  <p>276x640x12mm x1</p>
<p><b>7</b></p>  <p>205x96x12mm x1</p>	<p><b>8</b></p>  <p>205x96x12mm x1</p>	<p><b>9</b></p>  <p>641x110x12mm x1</p>
<p><b>10</b></p>  <p>95x84x12mm x2</p>	<p><b>11</b></p>  <p>95x84x12mm x2</p>	<p><b>12</b></p>  <p>1022x50x12mm x1</p>
<p><b>13</b></p>  <p>1050x400x15mm x1</p>	<p><b>14</b></p>  <p>745x398x12mm x1</p>	<p><b>15</b></p>  <p>745x398x12mm x1</p>
<p><b>16</b></p>  <p>745x398x12mm x1</p>	<p><b>17</b></p>  <p>745x398x12mm x1</p>	<p><b>18</b></p>  <p>233x661x3mm x1</p>
<p><b>19</b></p>  <p>233x661x3mm x1</p>	<p><b>20</b></p>  <p>225x100x12mm x2</p>	<p><b>21</b></p>  <p>225x80x12mm x2</p>

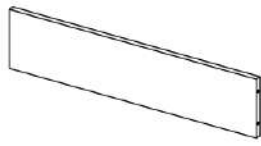
# PARTS LIST

**22**



548x145x12mm x1

**23**



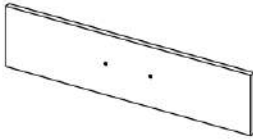
548x120x12mm x1

**24**



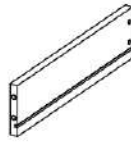
548x80x12mm x1

**25**



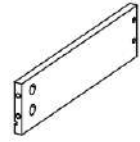
544x133x12mm x1

**26**



300x80x12mm x1

**27**



300x80x12mm x1

**28**



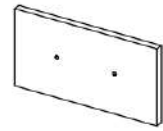
498x80x12mm x1

**29**



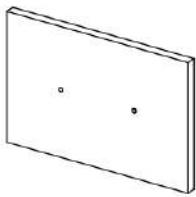
506x296x3mm x1

**30**



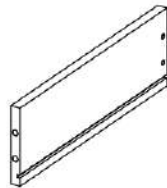
221x133x12mm x2

**31**



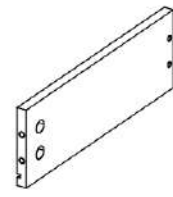
221x163x12mm x6

**32**



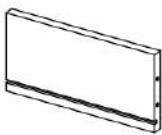
300x100x12mm x8

**33**



300x100x12mm x8

**34**



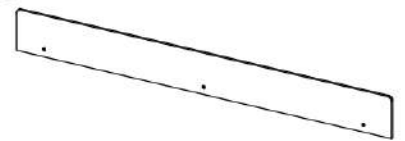
175x100x12mm x8

**40**



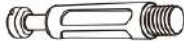

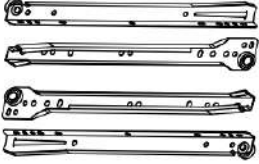



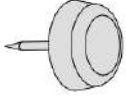

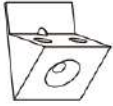





221x58x3mm x2

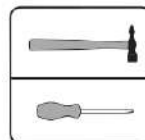
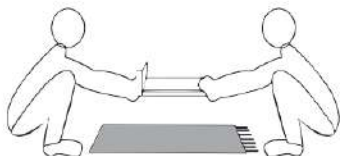
**41**



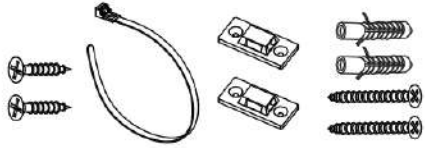




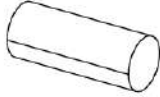
544x58x3mm x1

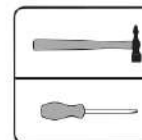
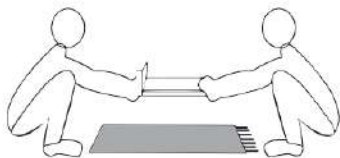
# HARDWARE LIST

<p><b>A</b>  6x40 <b>x84</b></p>	<p><b>B</b>  15x11 <b>x84</b></p>
<p><b>C=CL+DL+CR+DR</b>    <b>C</b> 12inches <b>x9</b></p>	<p><b>D</b>  <b>x1</b></p>
<p><b>E</b>  M3.5x12 <b>x89</b></p>	<p><b>F</b>  M5x40/#3 <b>x69/x1</b></p>
<p><b>G</b>  <b>x8</b></p>	<p><b>H</b>  96mm <b>x9</b></p>
<p><b>J</b>  <b>x8</b></p>	<p><b>K</b>  <b>x1</b></p>
<p><b>L</b>  21mm <b>x20</b></p>	<p><b>M</b>  M4x14 <b>x18</b></p>
<p><b>N</b>  M3x14 <b>x15</b></p>	<p><b>O</b>  <b>x6</b></p>



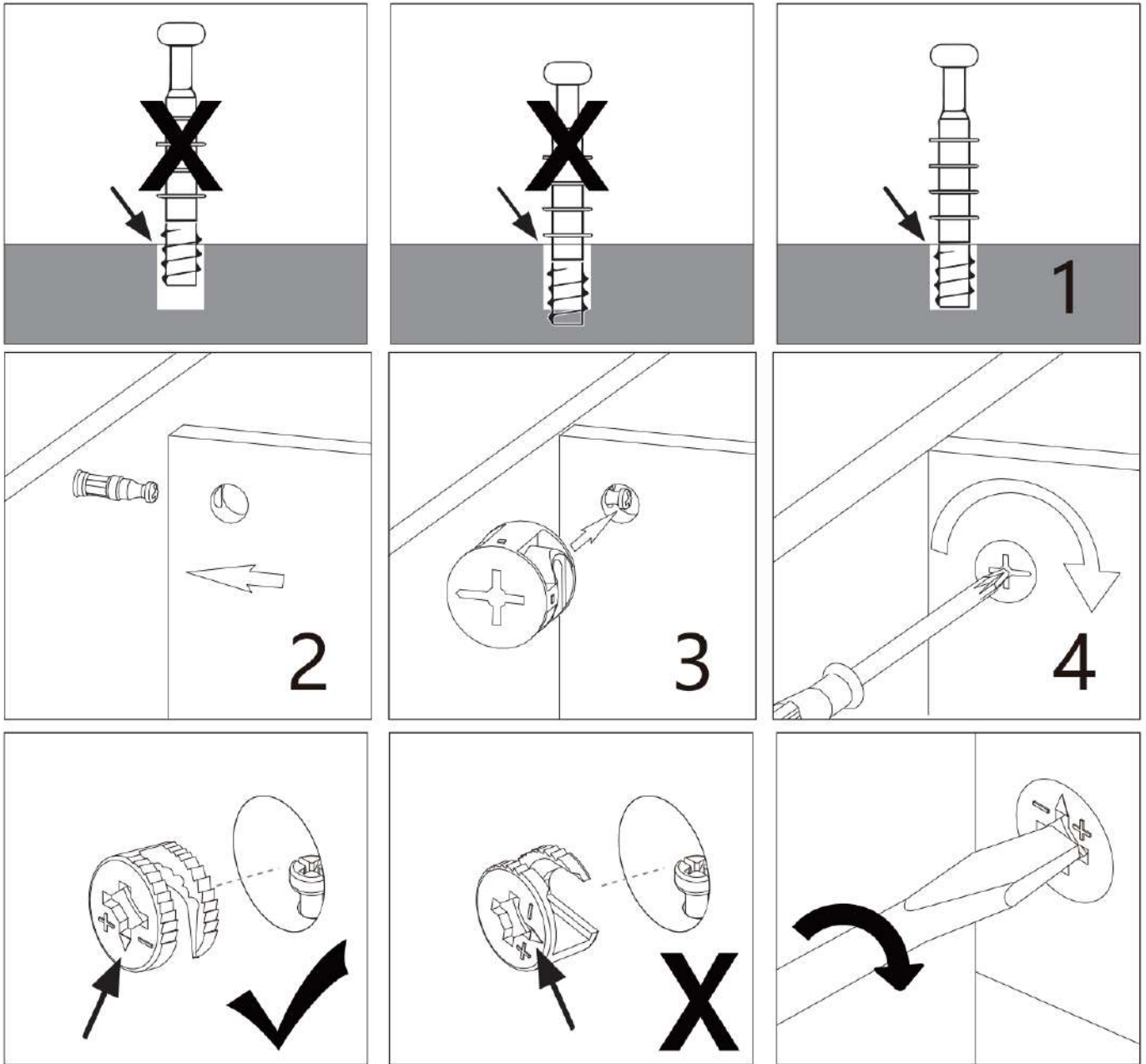
# HARDWARE LIST

<p><b>P</b></p>  <p><b>x1</b></p>	<p><b>R</b></p>  <p><b>x5</b></p>
<p><b>S</b></p>  <p><b>x3</b></p>	<p><b>T</b></p>  <p><b>x1</b></p>
<p><b>U</b></p>  <p>M6x20 <b>x1</b></p>	<p><b>W</b></p>  <p>Ø50x115 <b>x1</b></p>

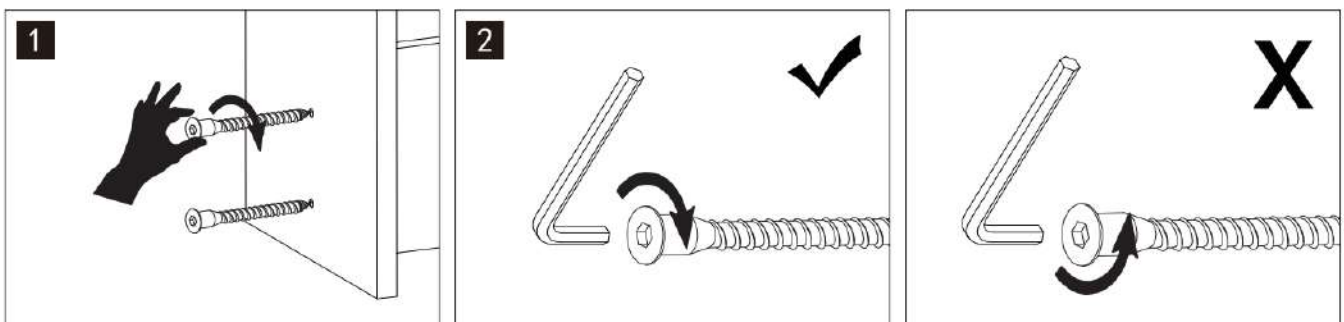


# Hardware installation indication

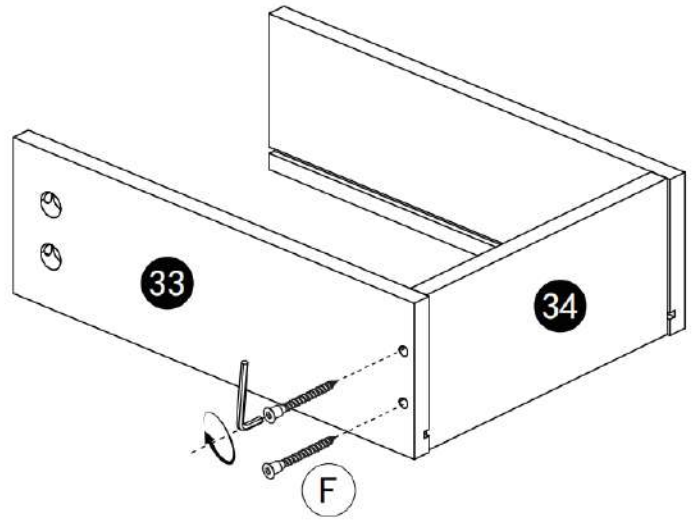
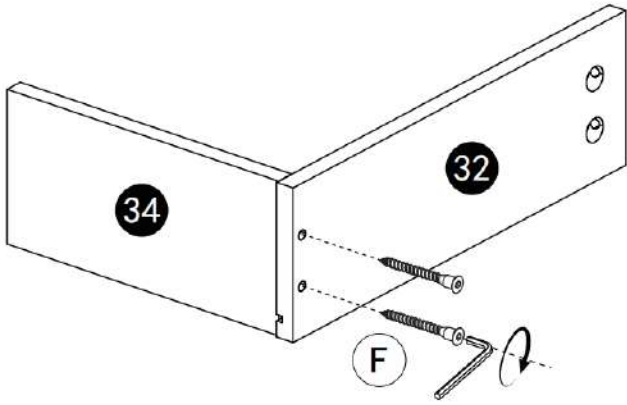
## Installation method of three in one rod and buckle



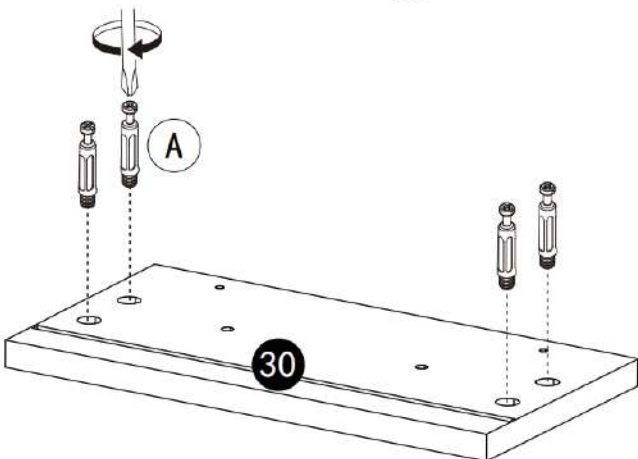
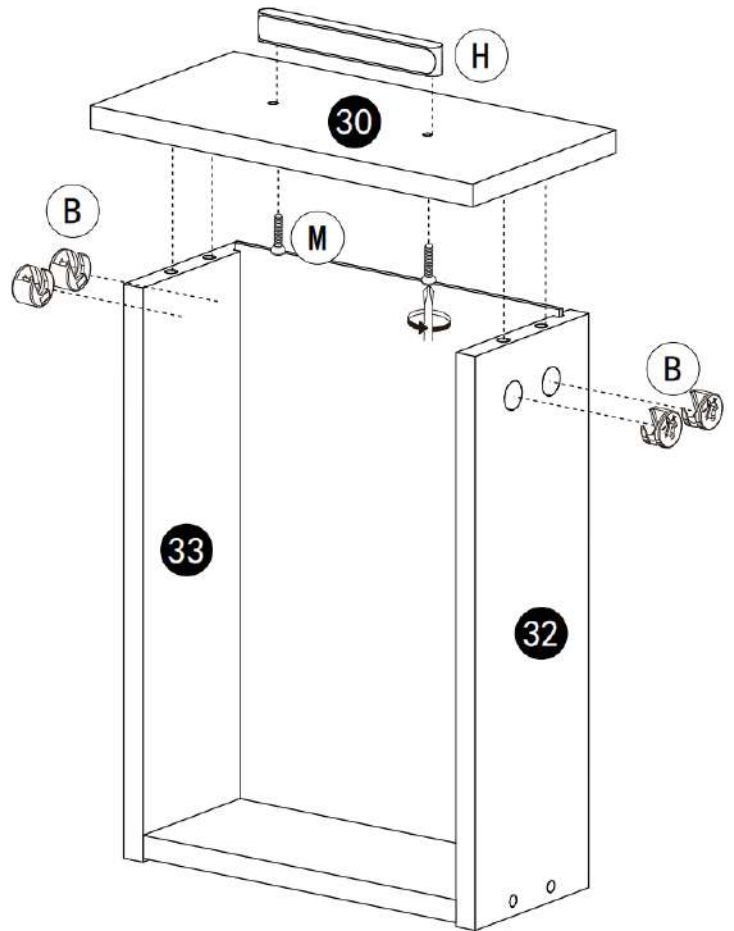
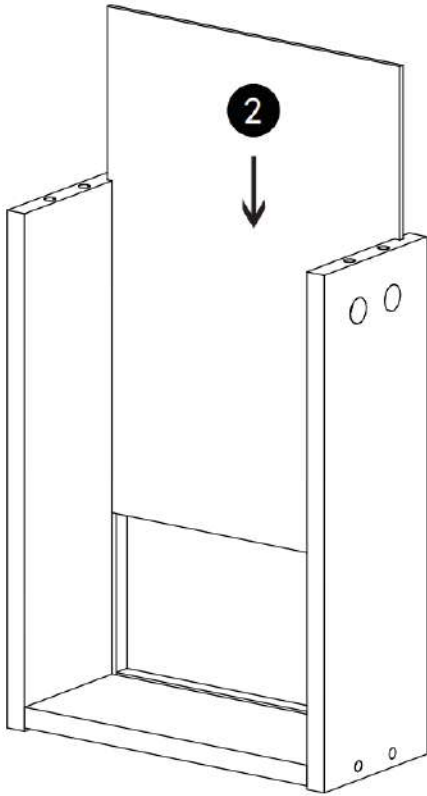
## Screw installation method








1

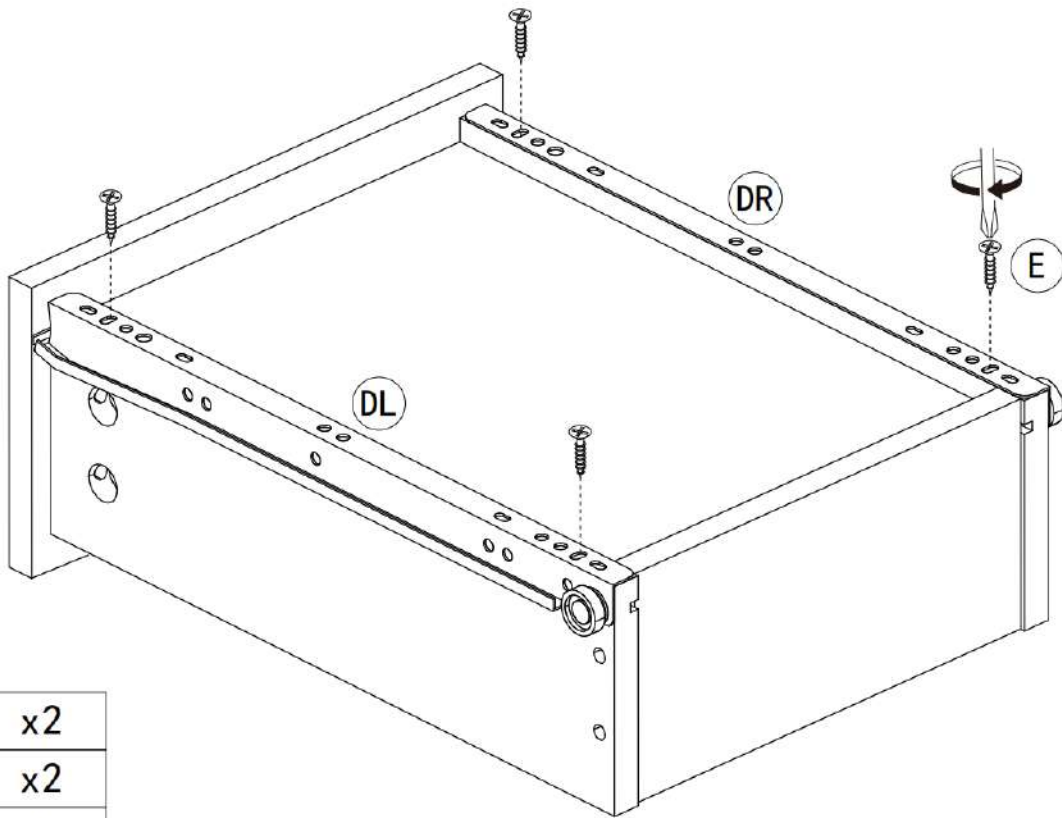


X2



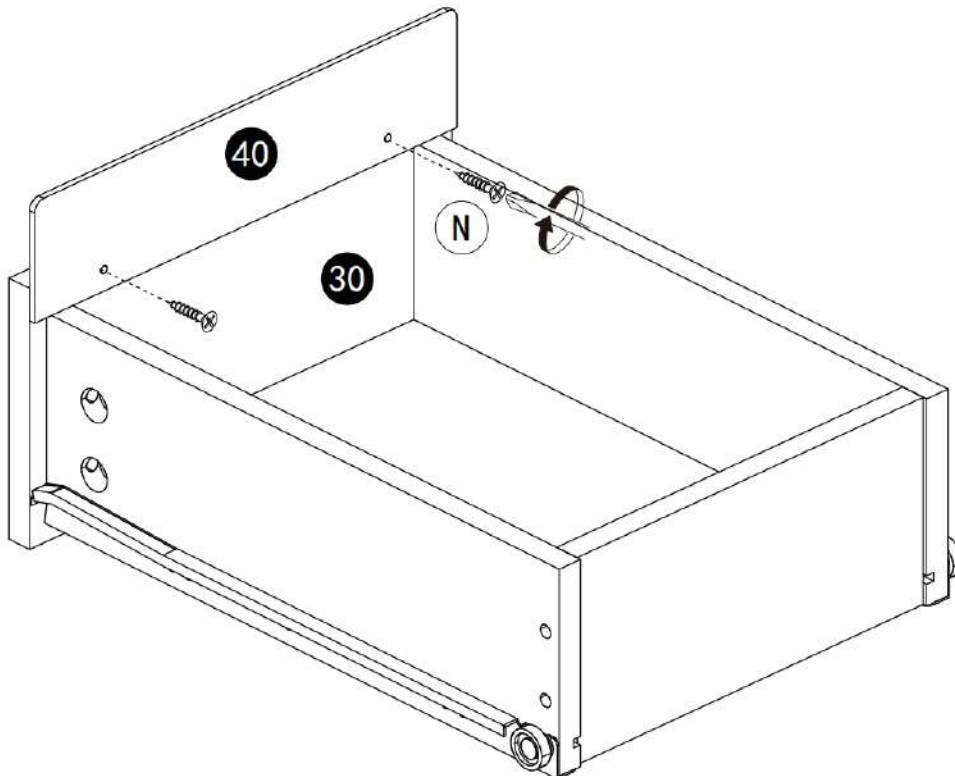
	H		x2		
M		A		x4	x8
B		F		x8	x8

2



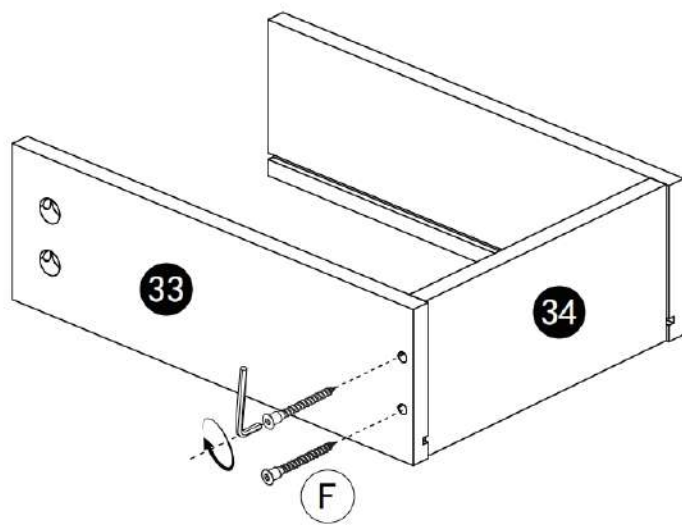
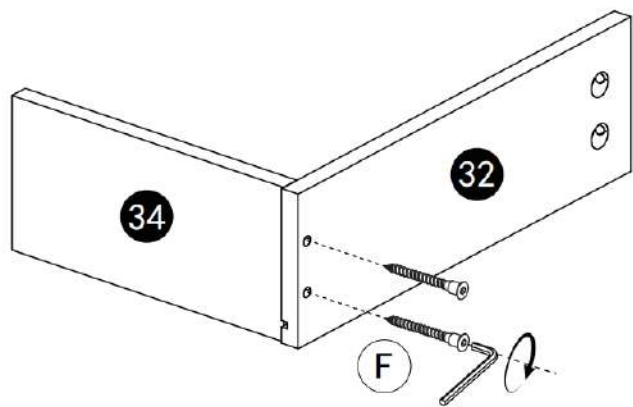
DL		x2
DR		x2
E		x8

X2

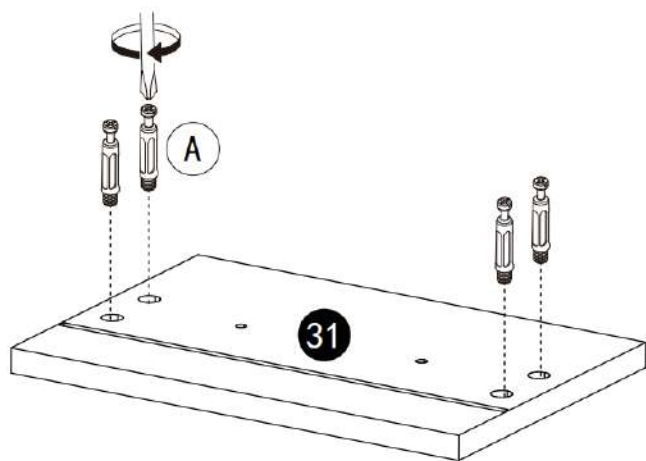
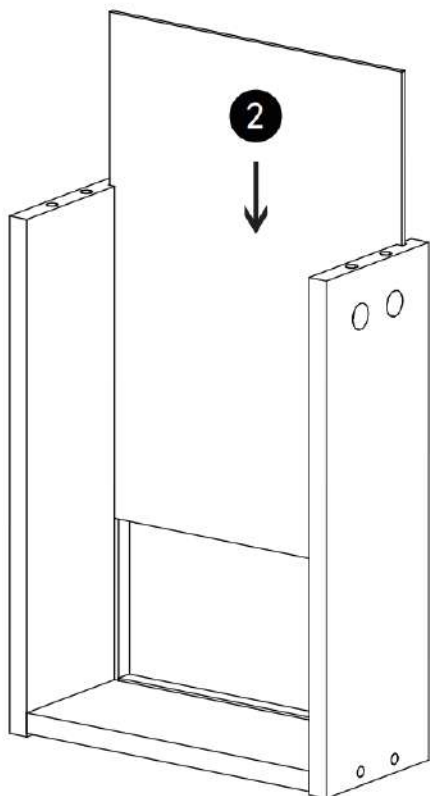


N		x4
---	--	----

3

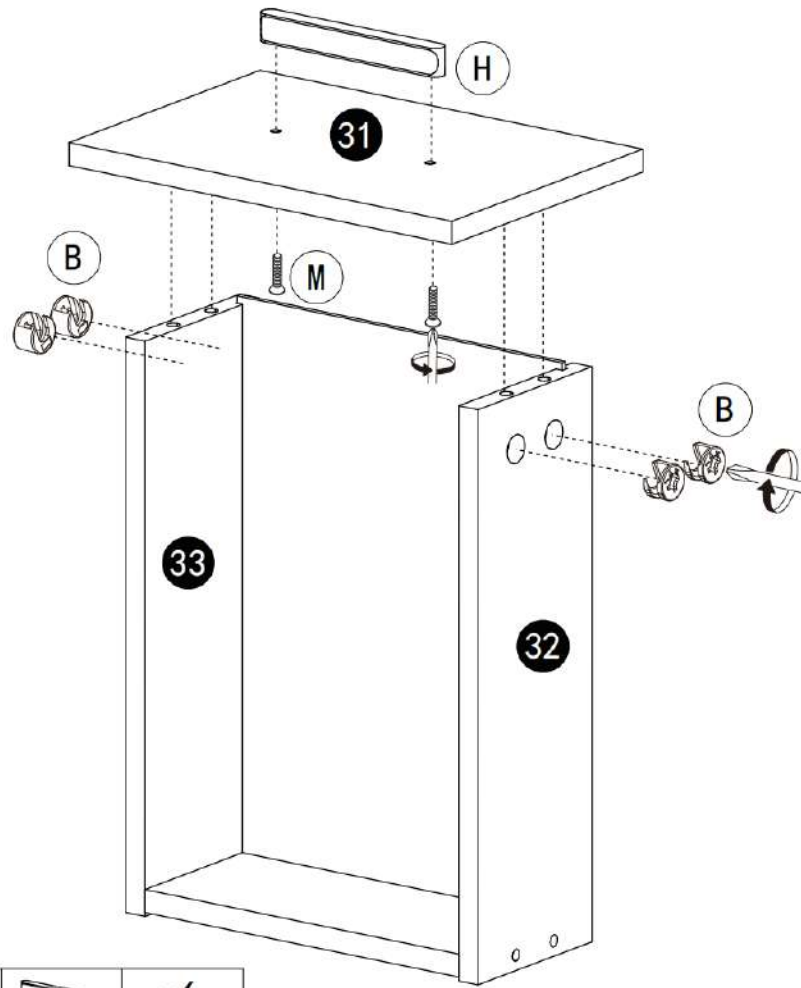



X6



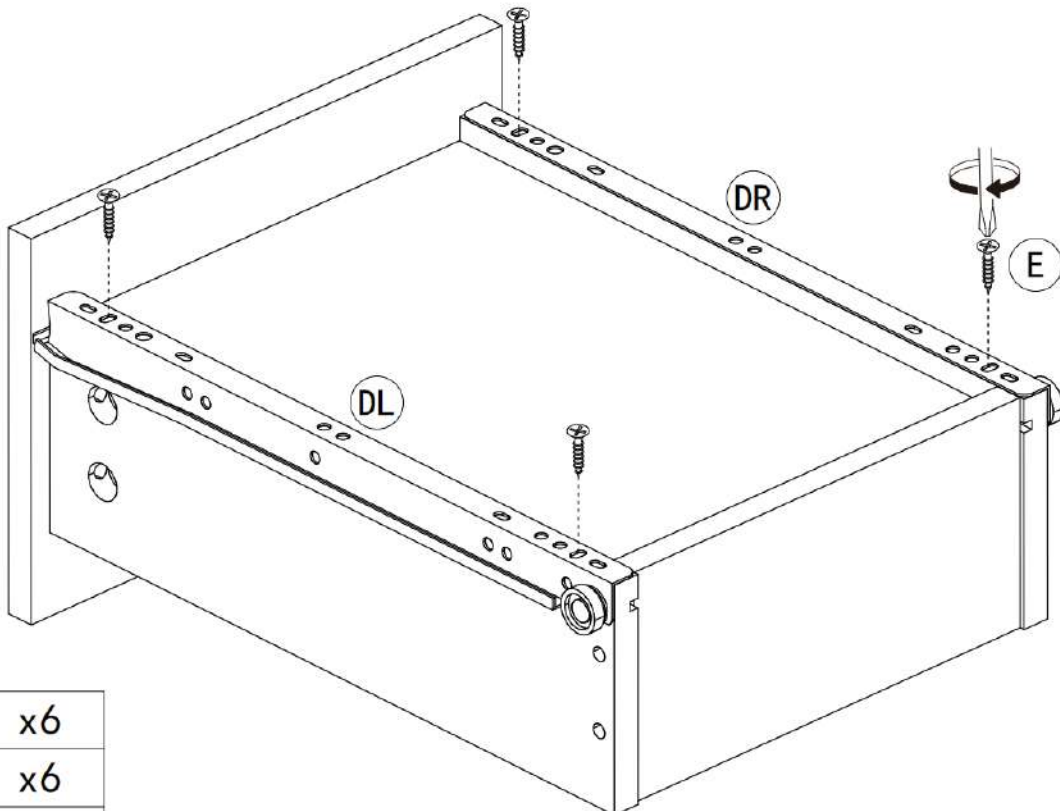
A		x24
F		x24


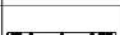
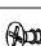
4



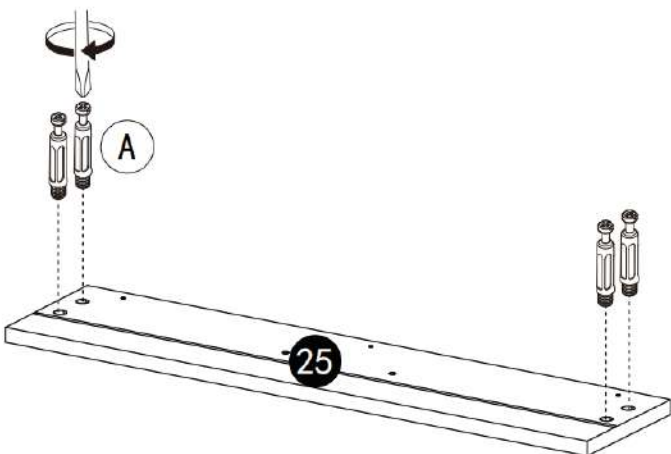
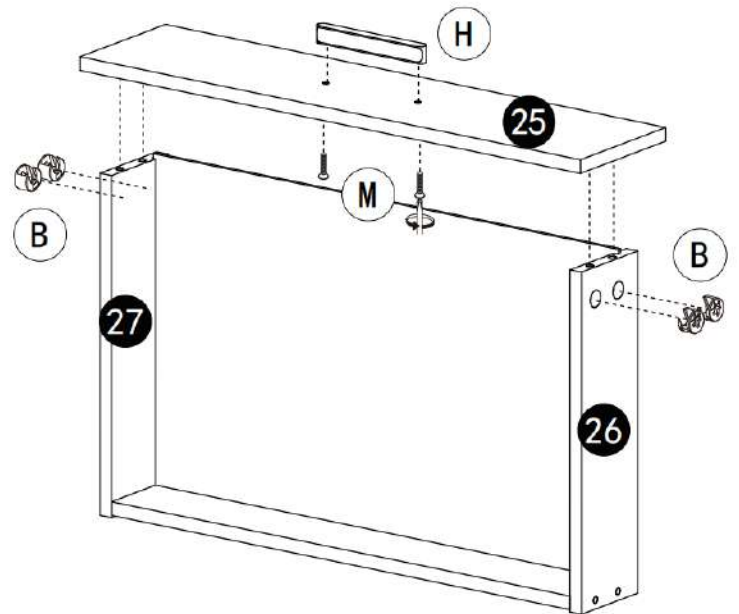
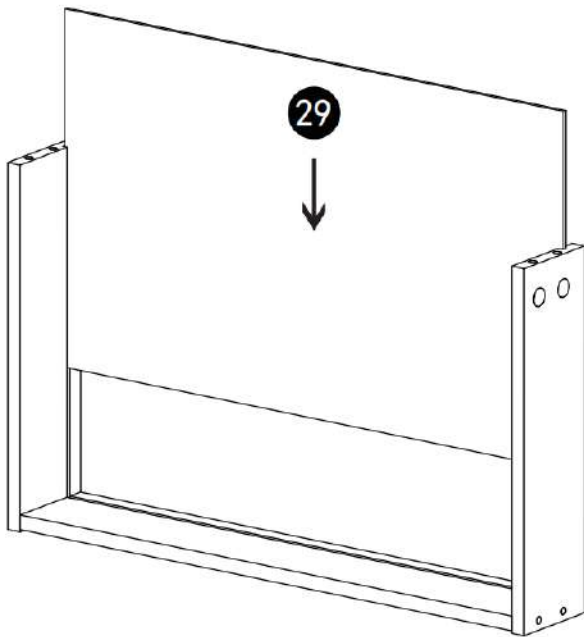
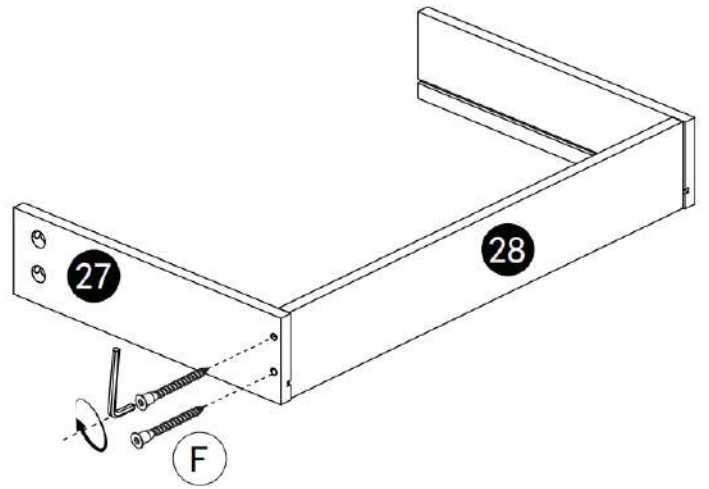
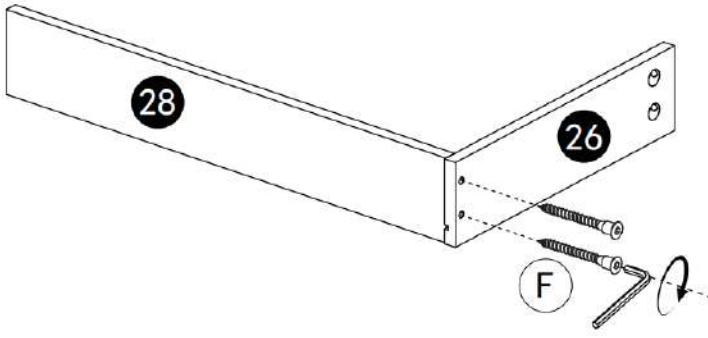
M		x12			
B		x24	H		x6






X6



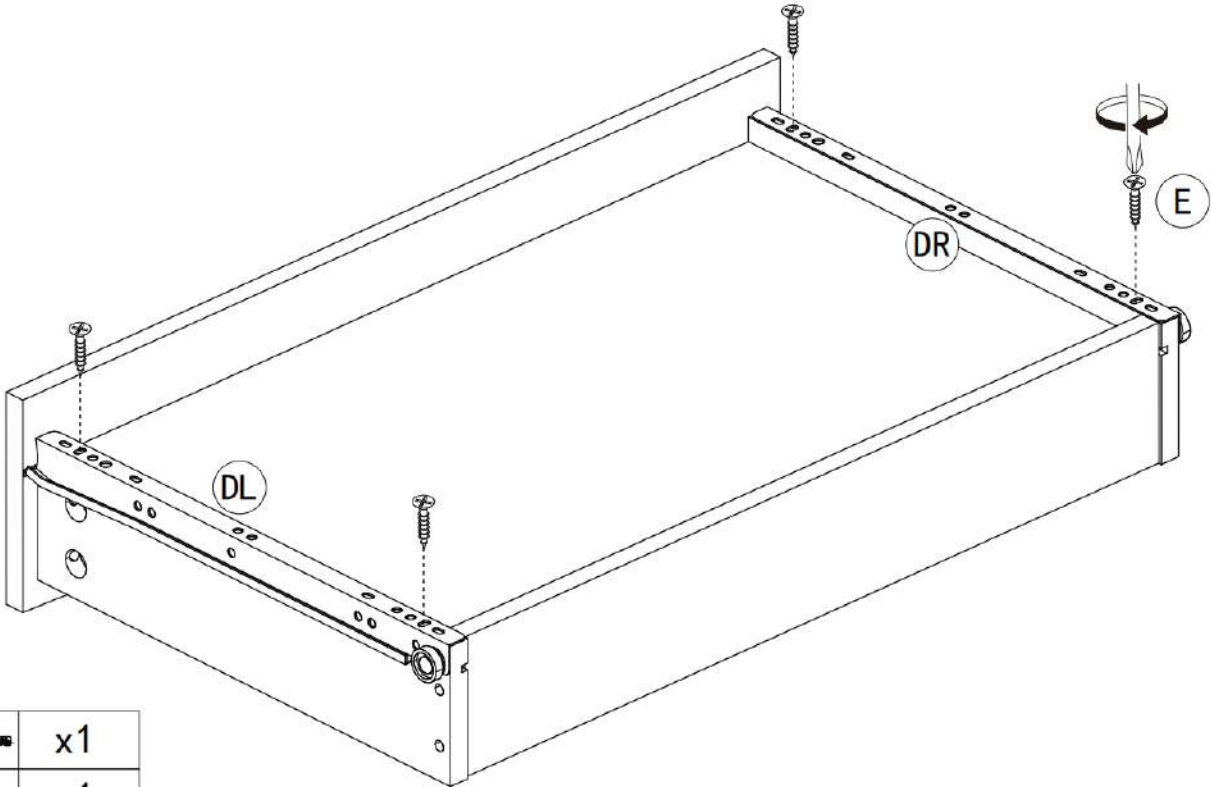
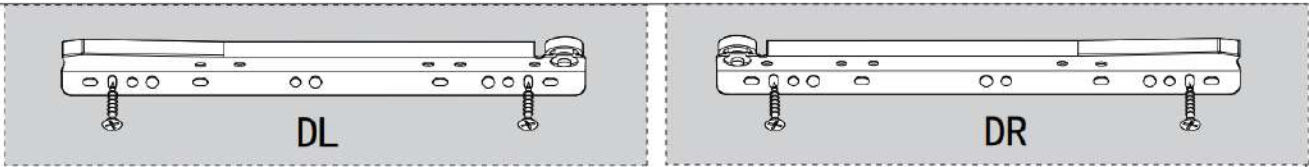
DL		x6
DR		x6
E		x24




5

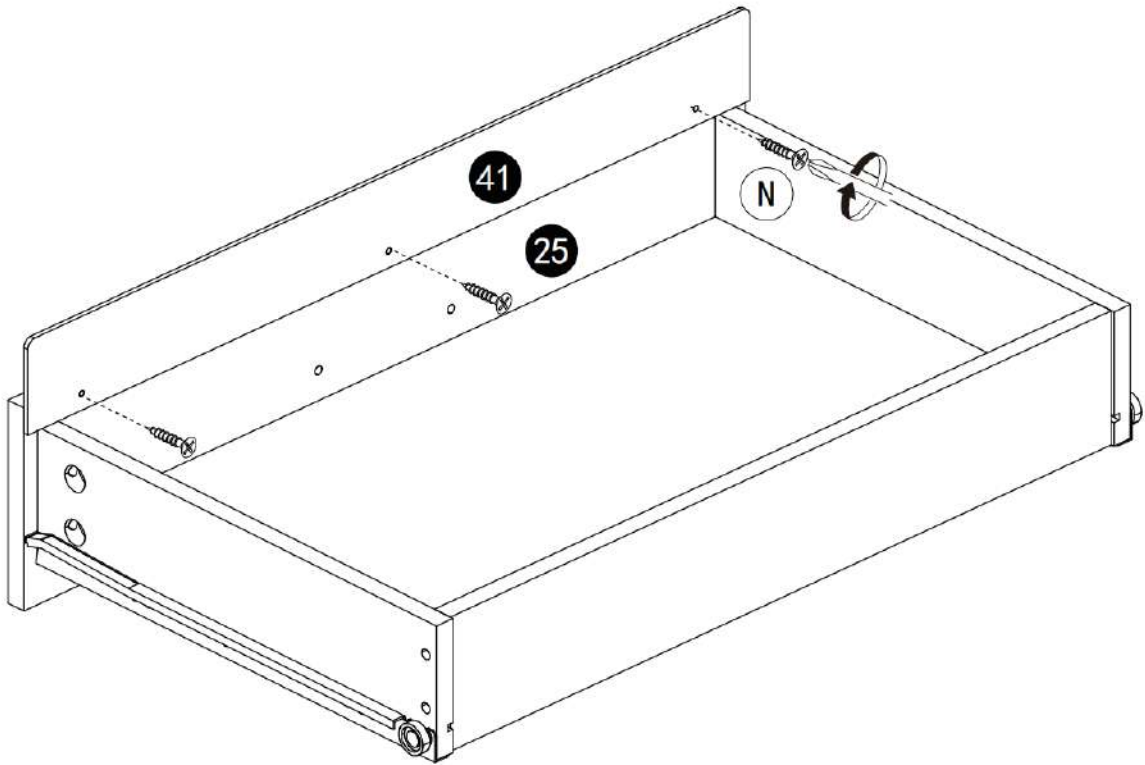



			H		x1
M		x2	A		x4
B		x4	F		x4

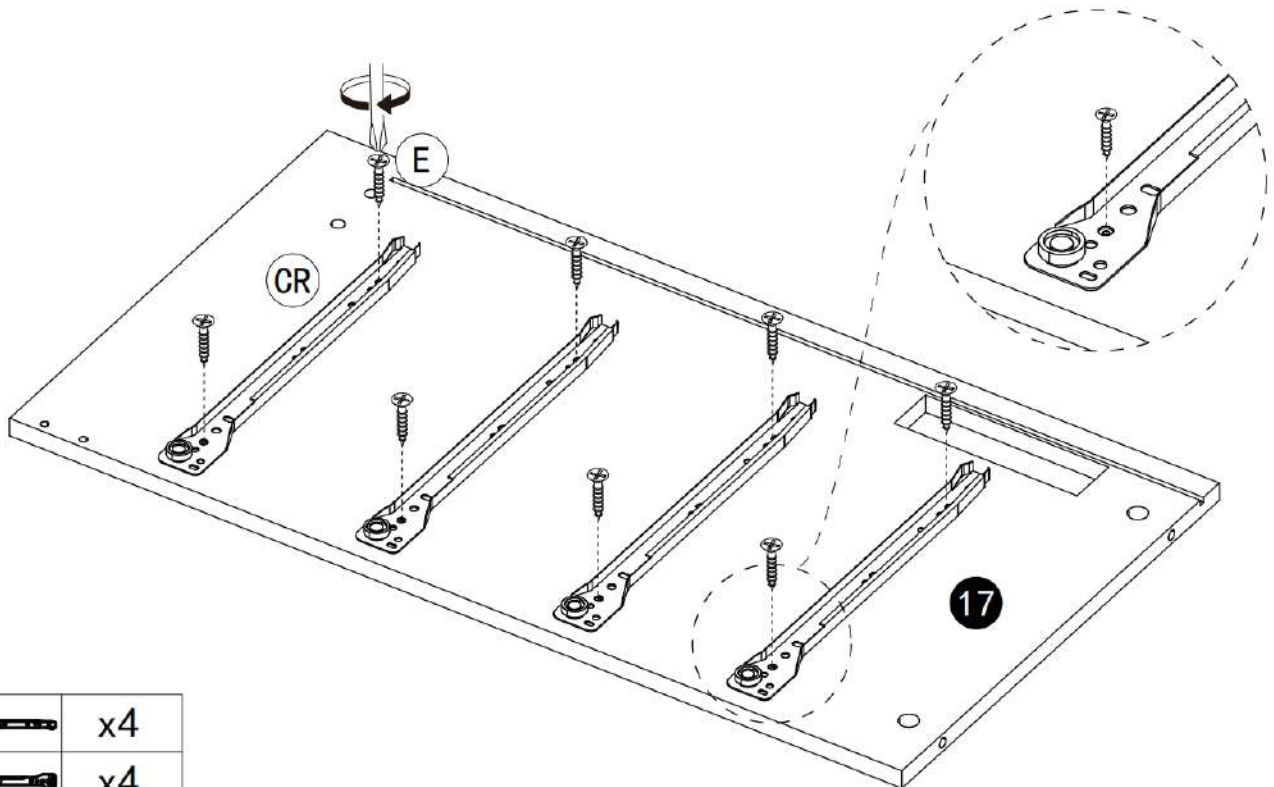
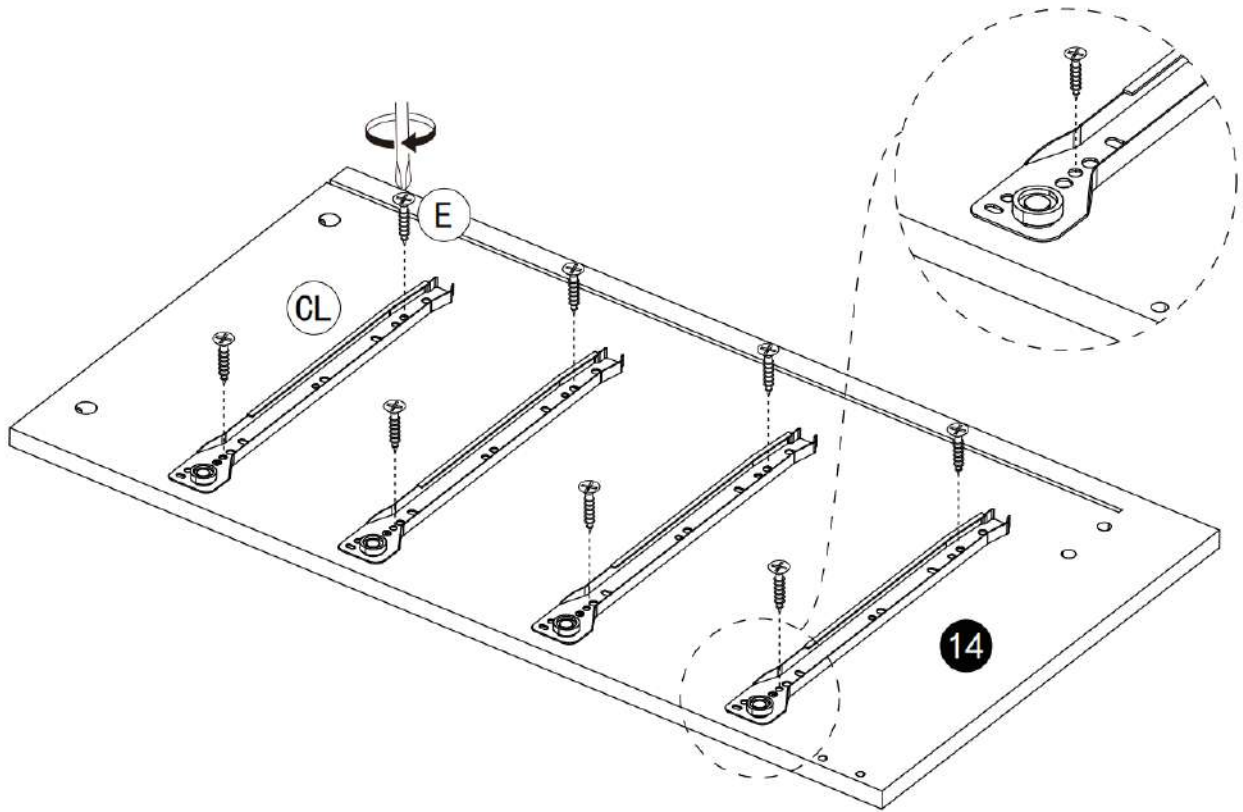
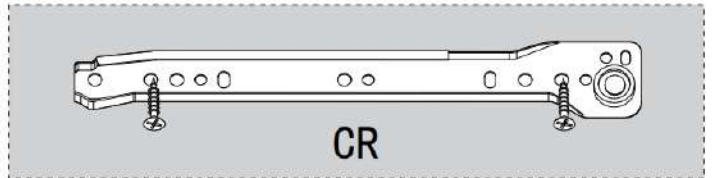
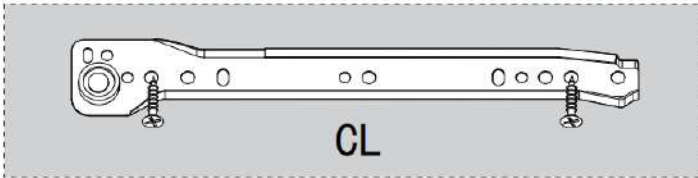
6






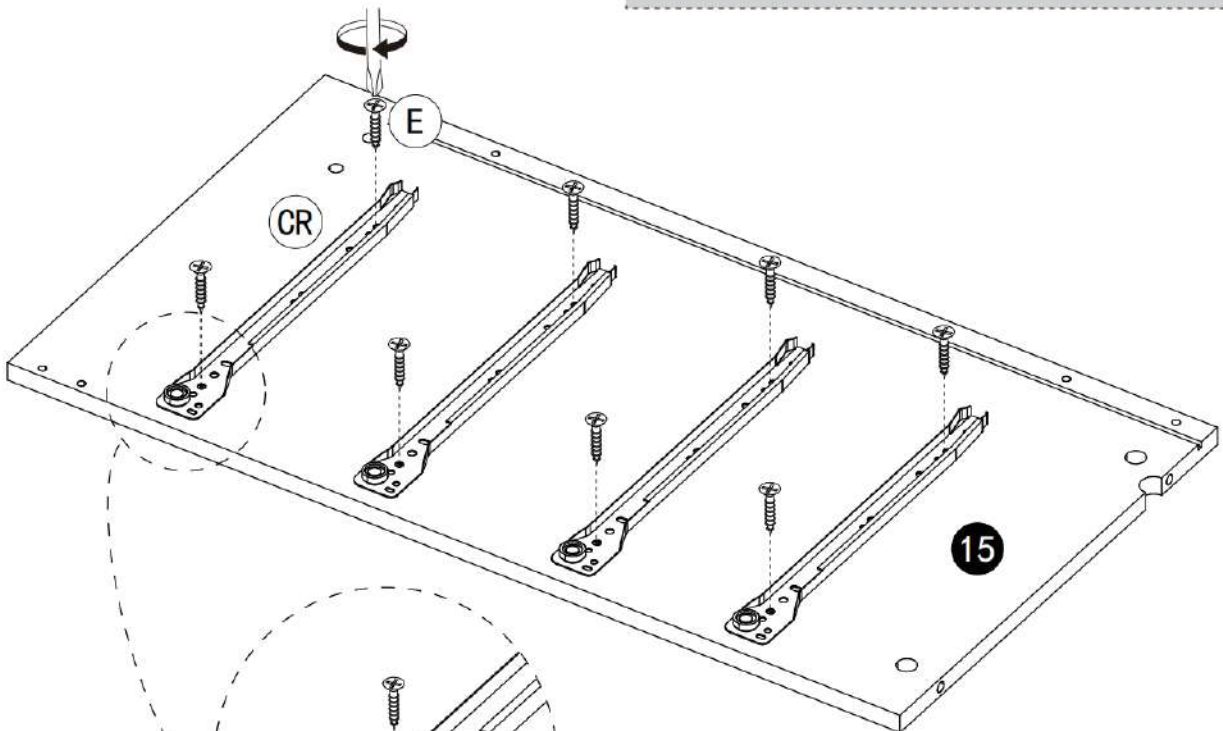
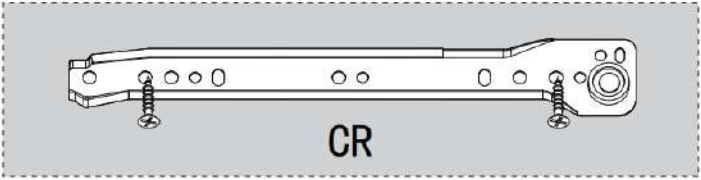
DL		x1
DR		x1
E		x4



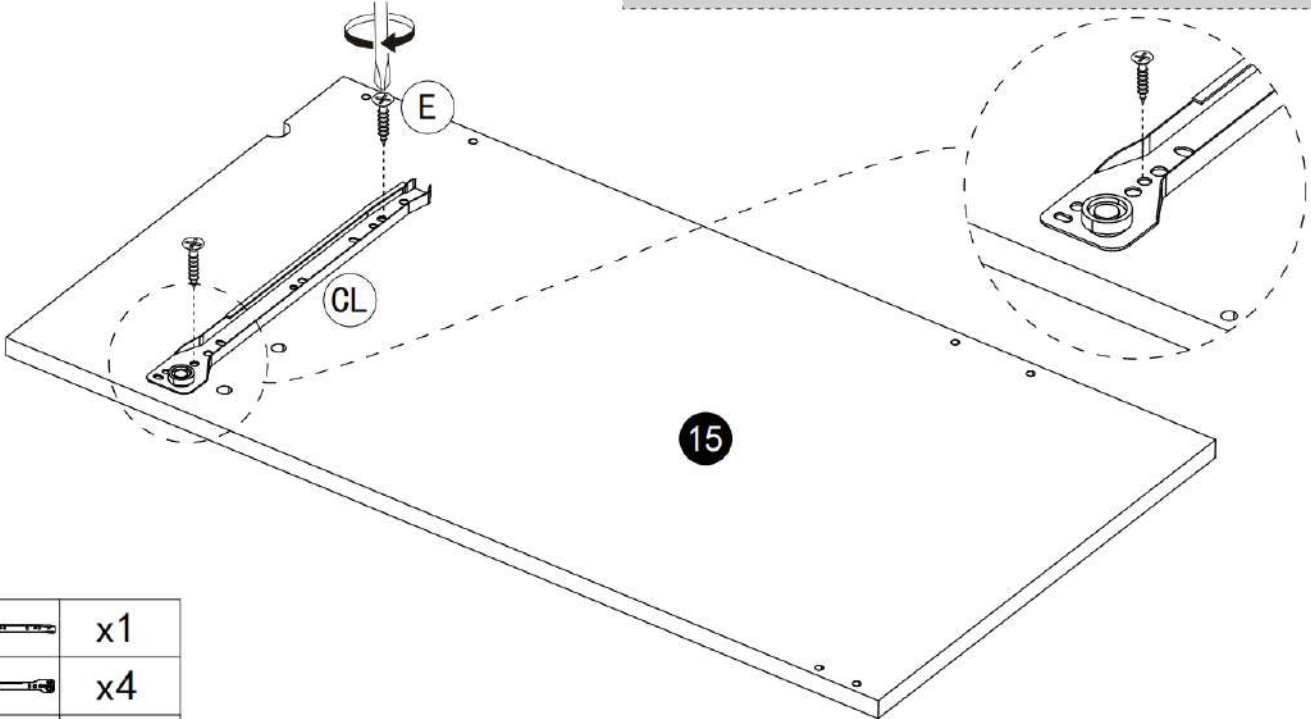
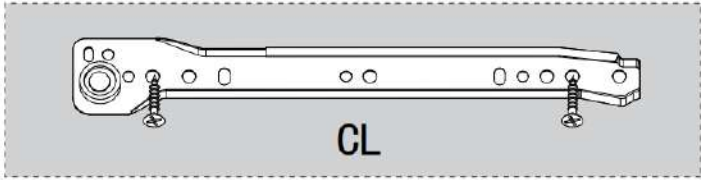
N		x3
---	---	----



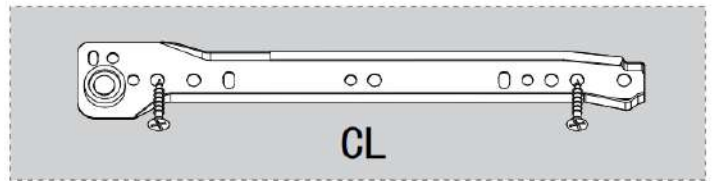
CL		x4
CR		x4
E		x16



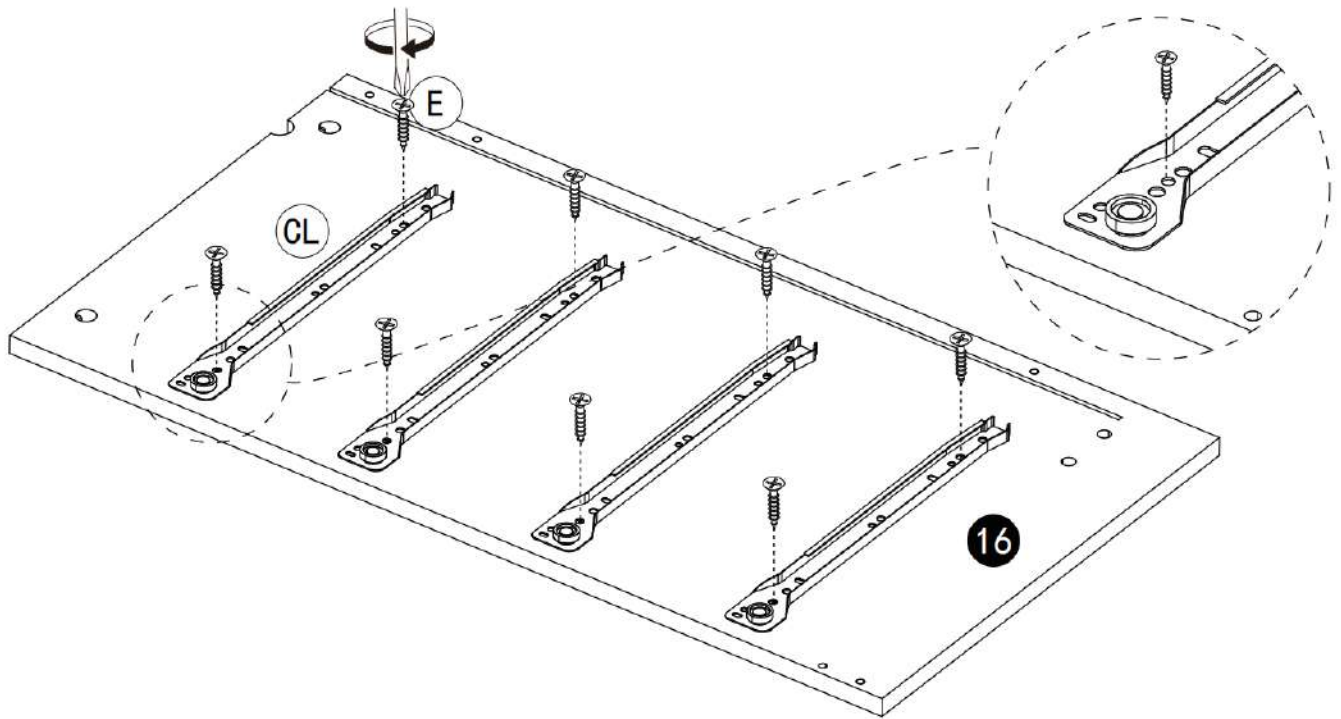
flip over



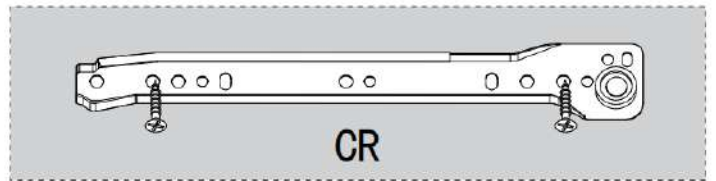
CL		x1
CR		x4
E		x10



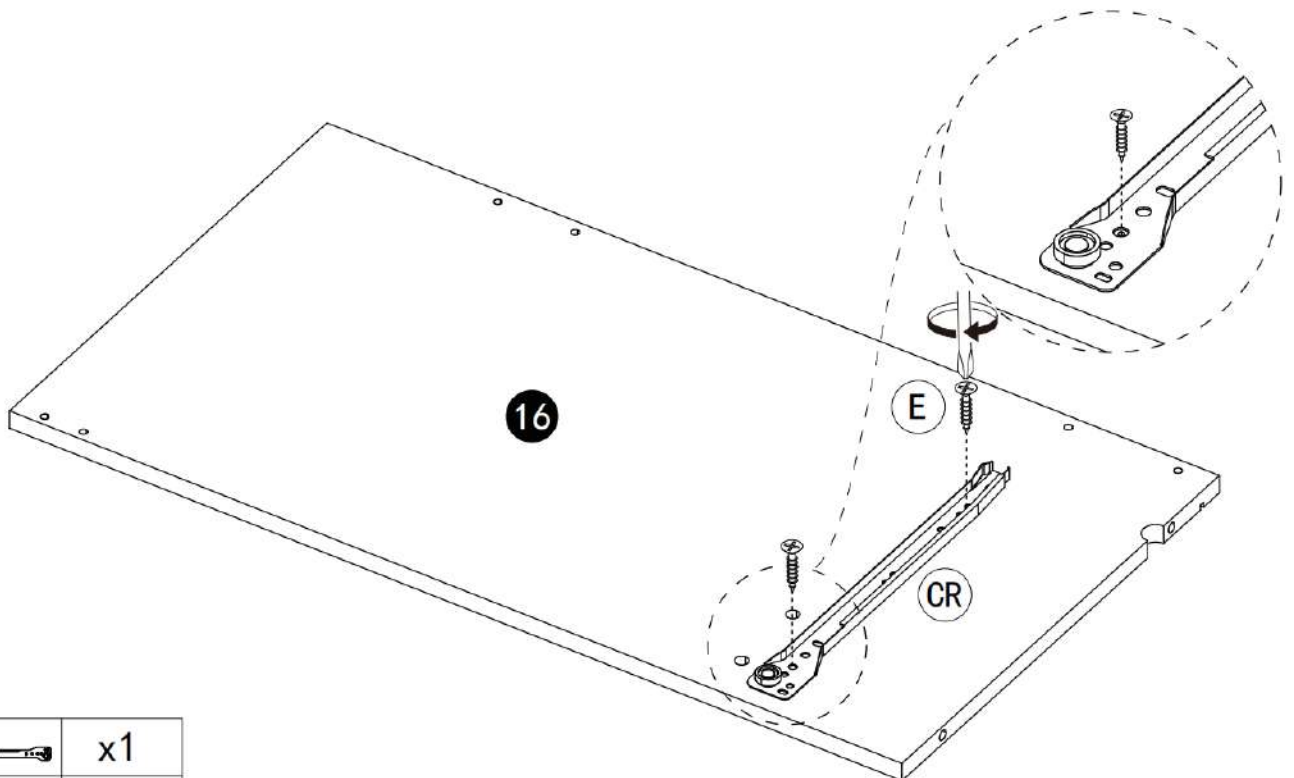
CL






flip over



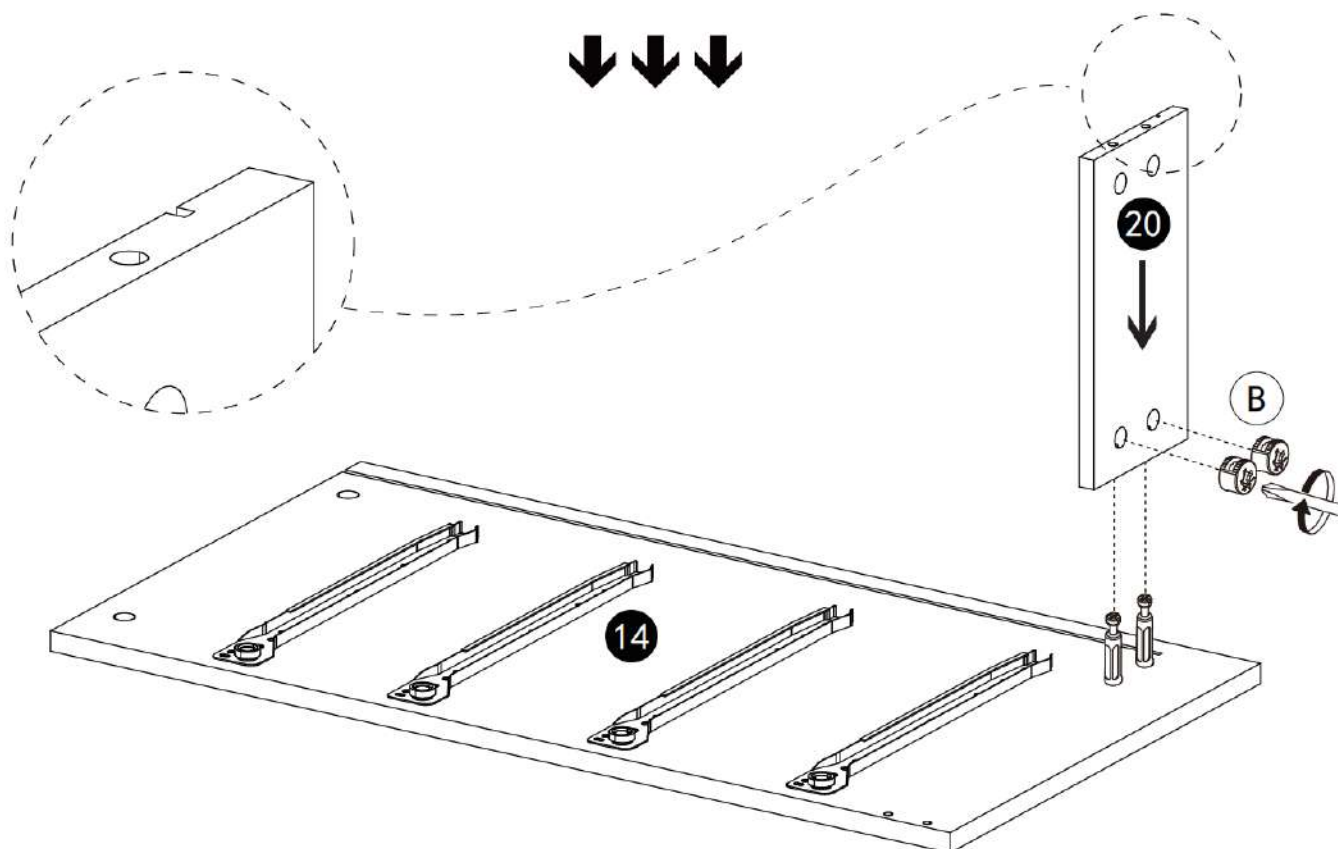
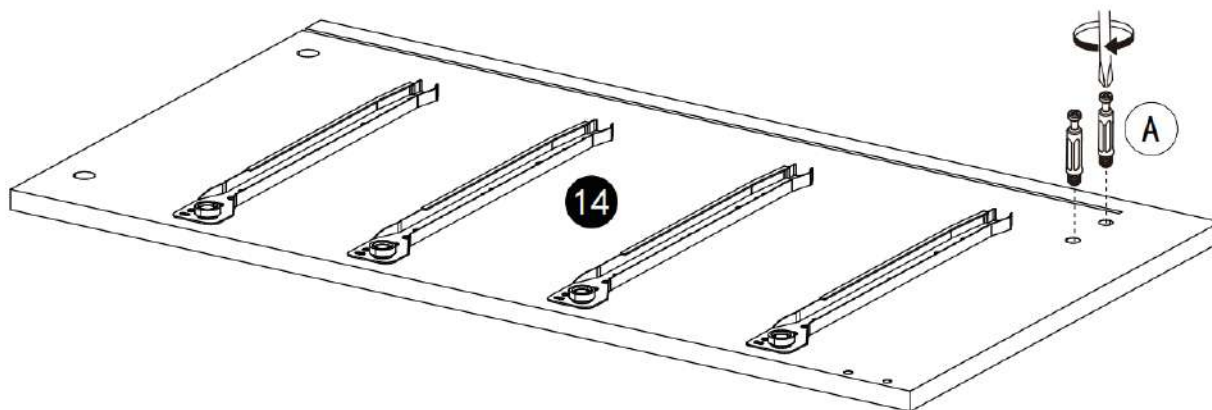
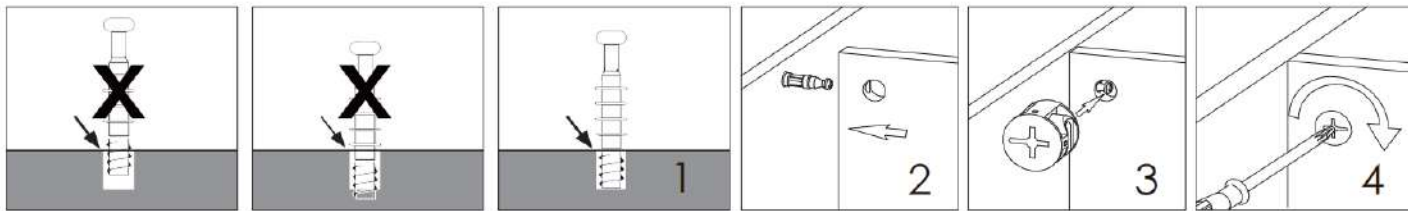
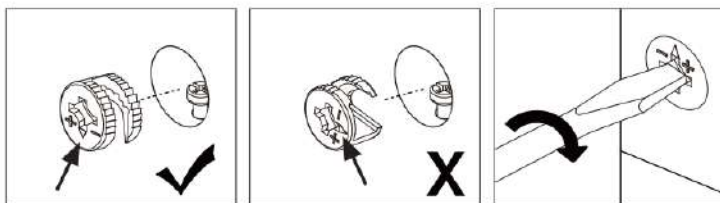
CR




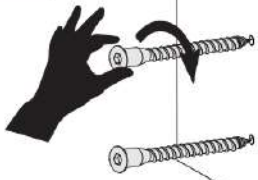
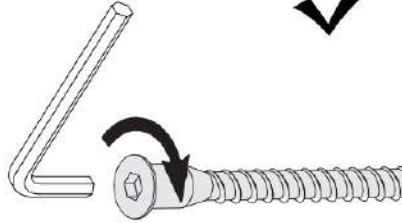
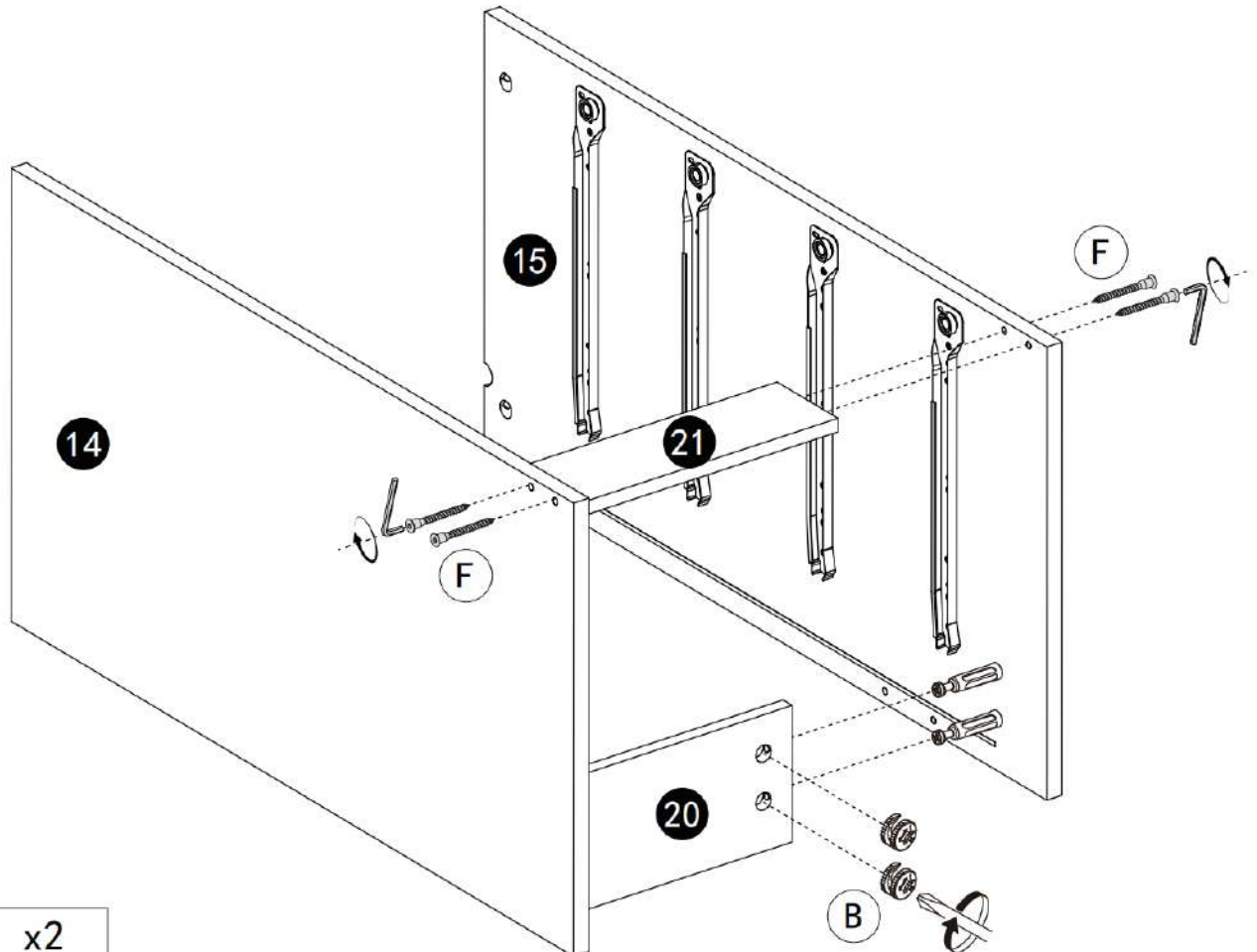
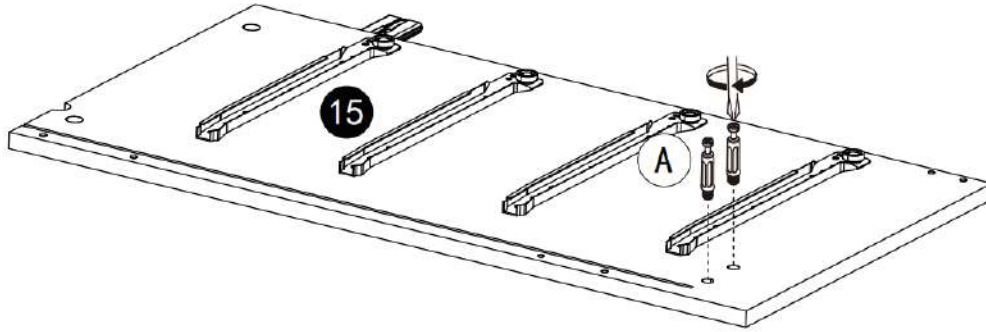
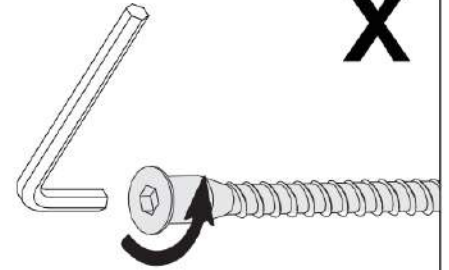
CR		x1
CL		x4
E		x10

# 10

Installation method of three in one rod and buckle

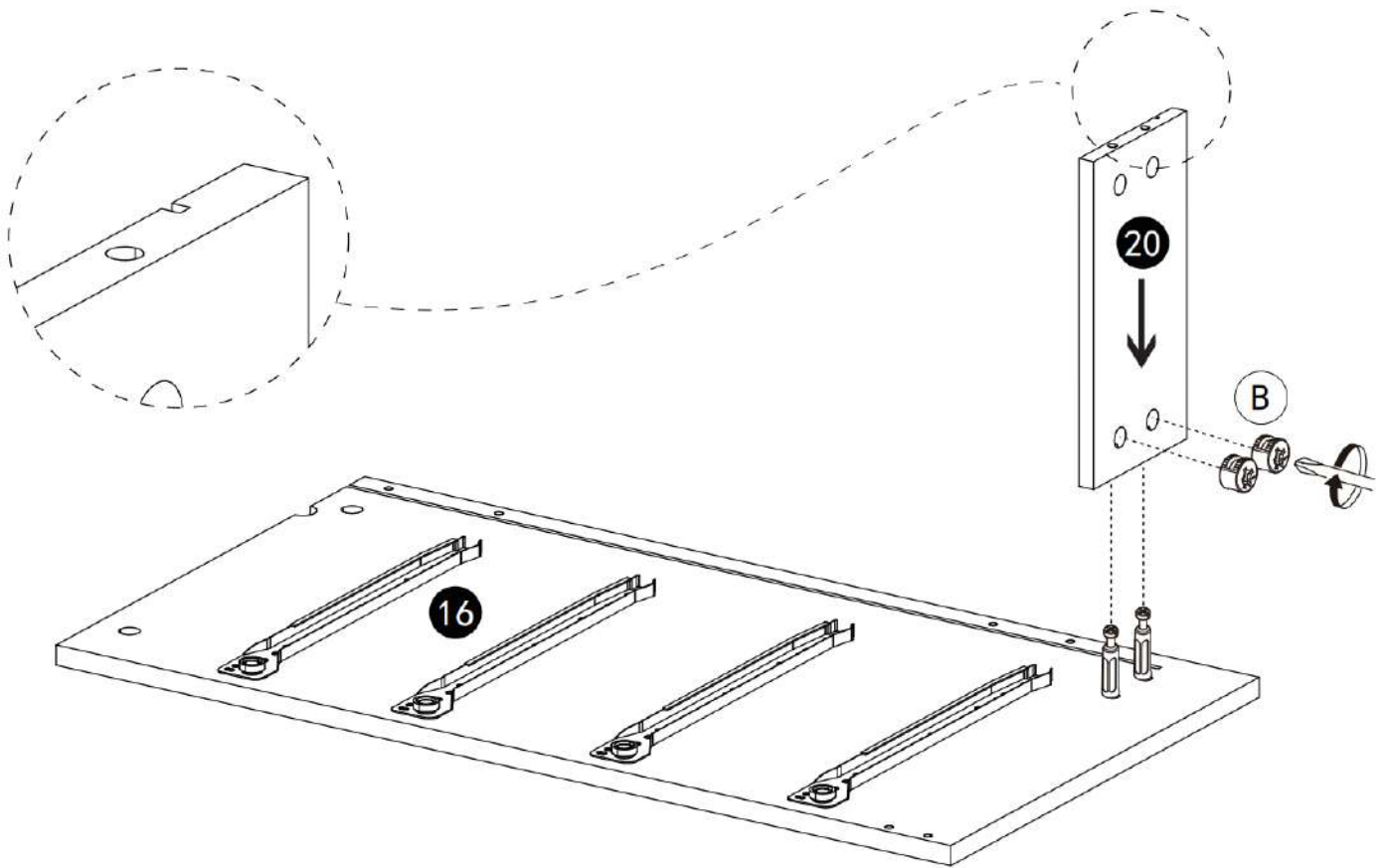
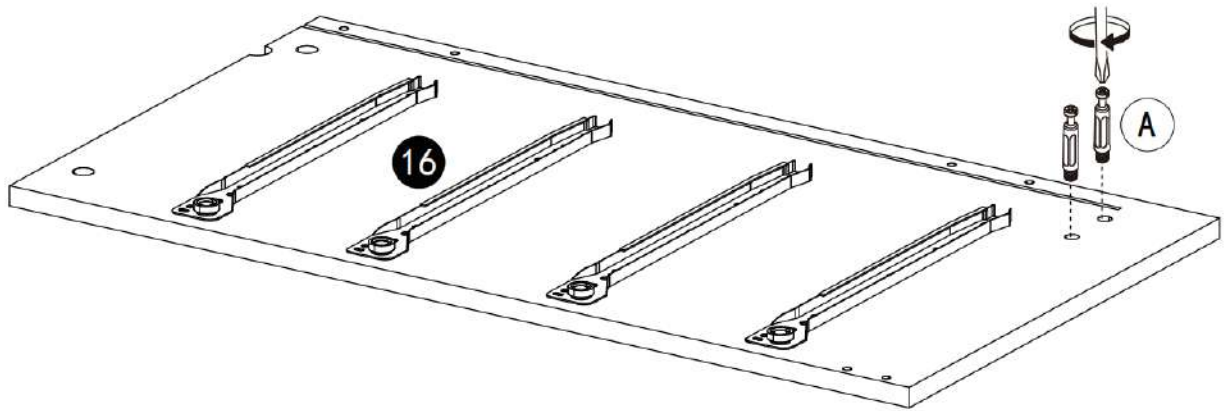




A		x2
B		x2

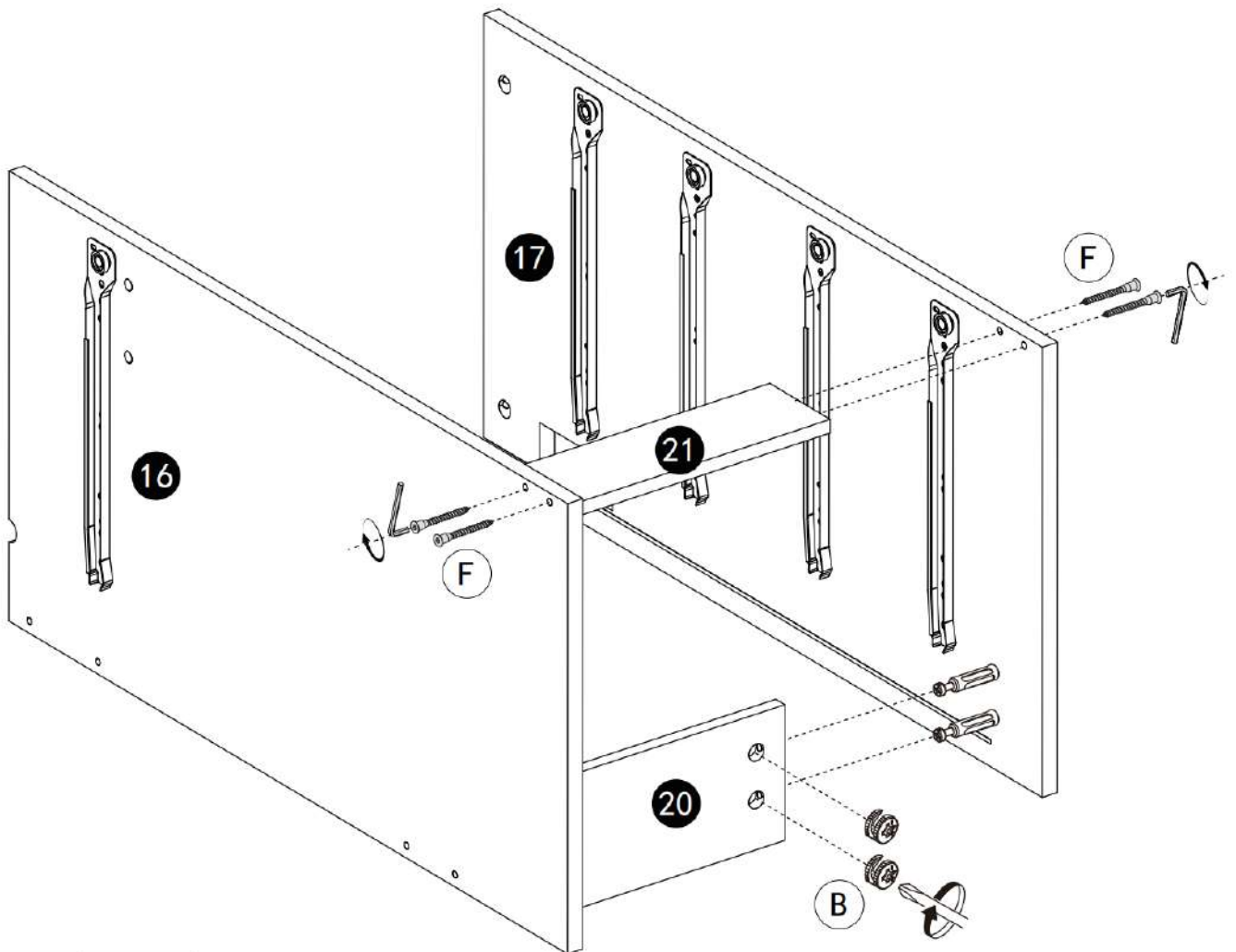
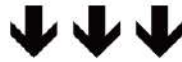
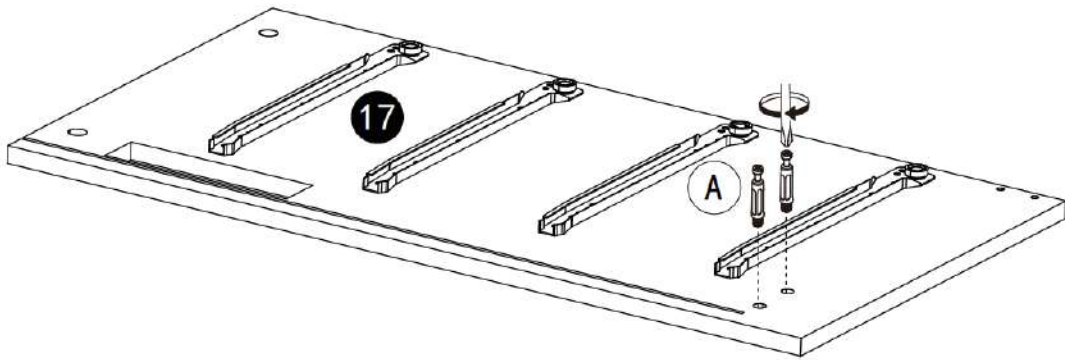
**11****1****2****X**


A		x2
---	--	----

B		x2	F		x4
---	--	----	---	--	----

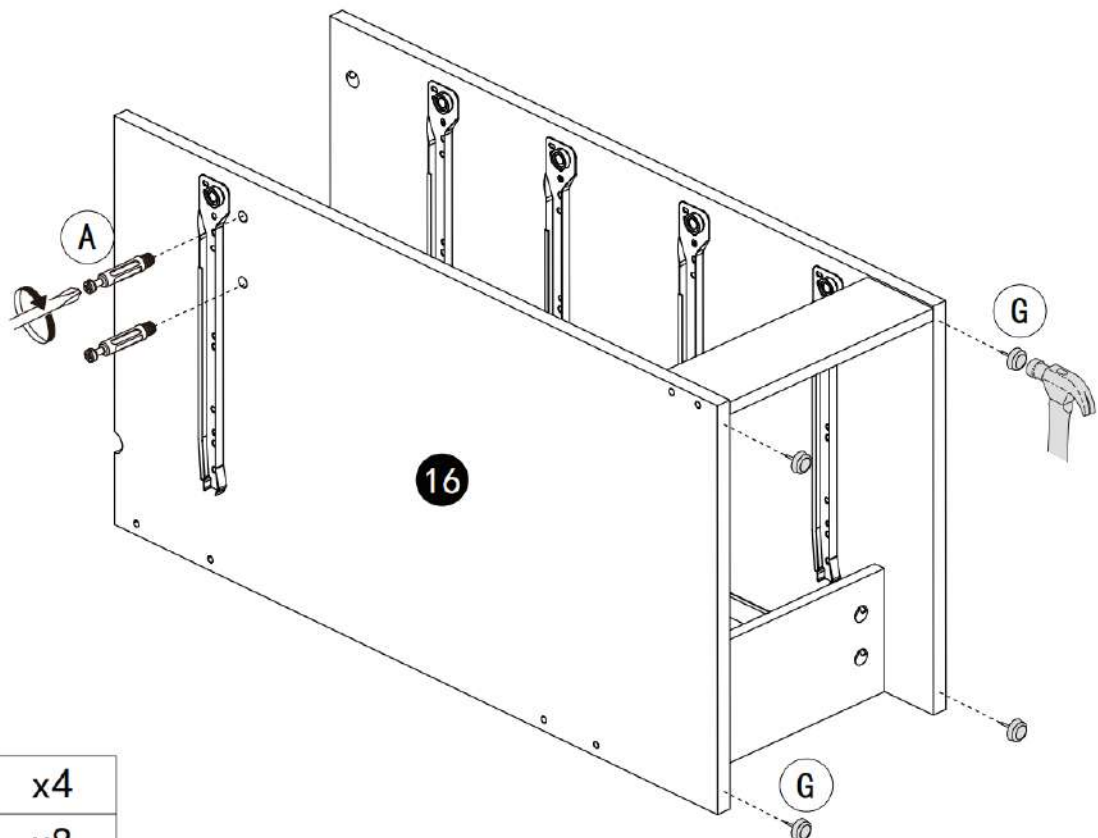
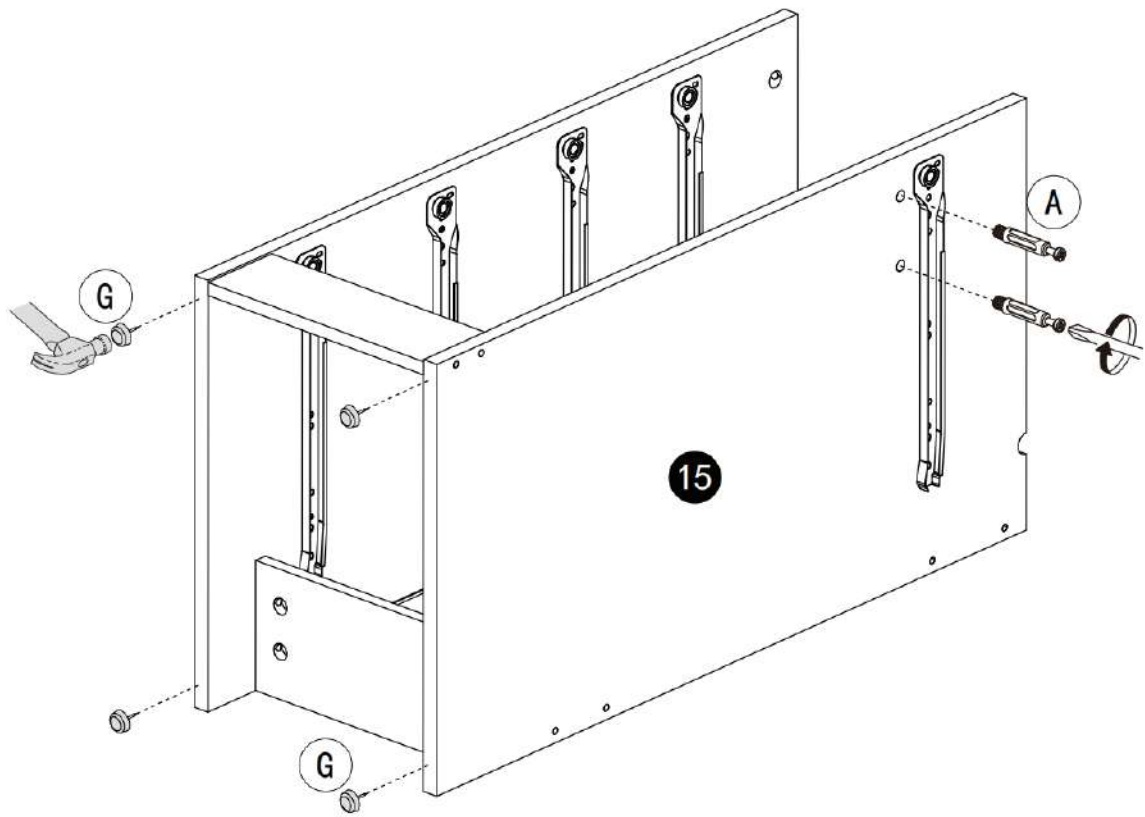



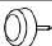
A		x2
B		x2

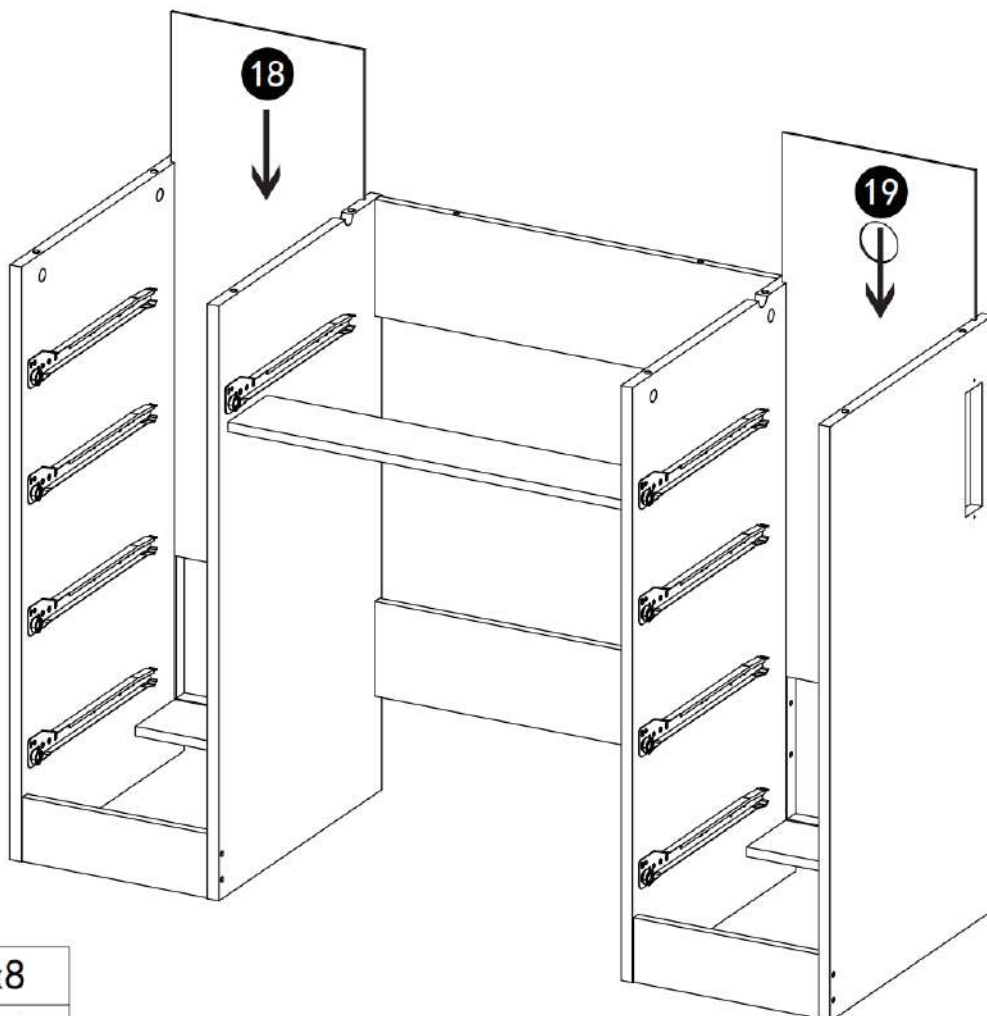
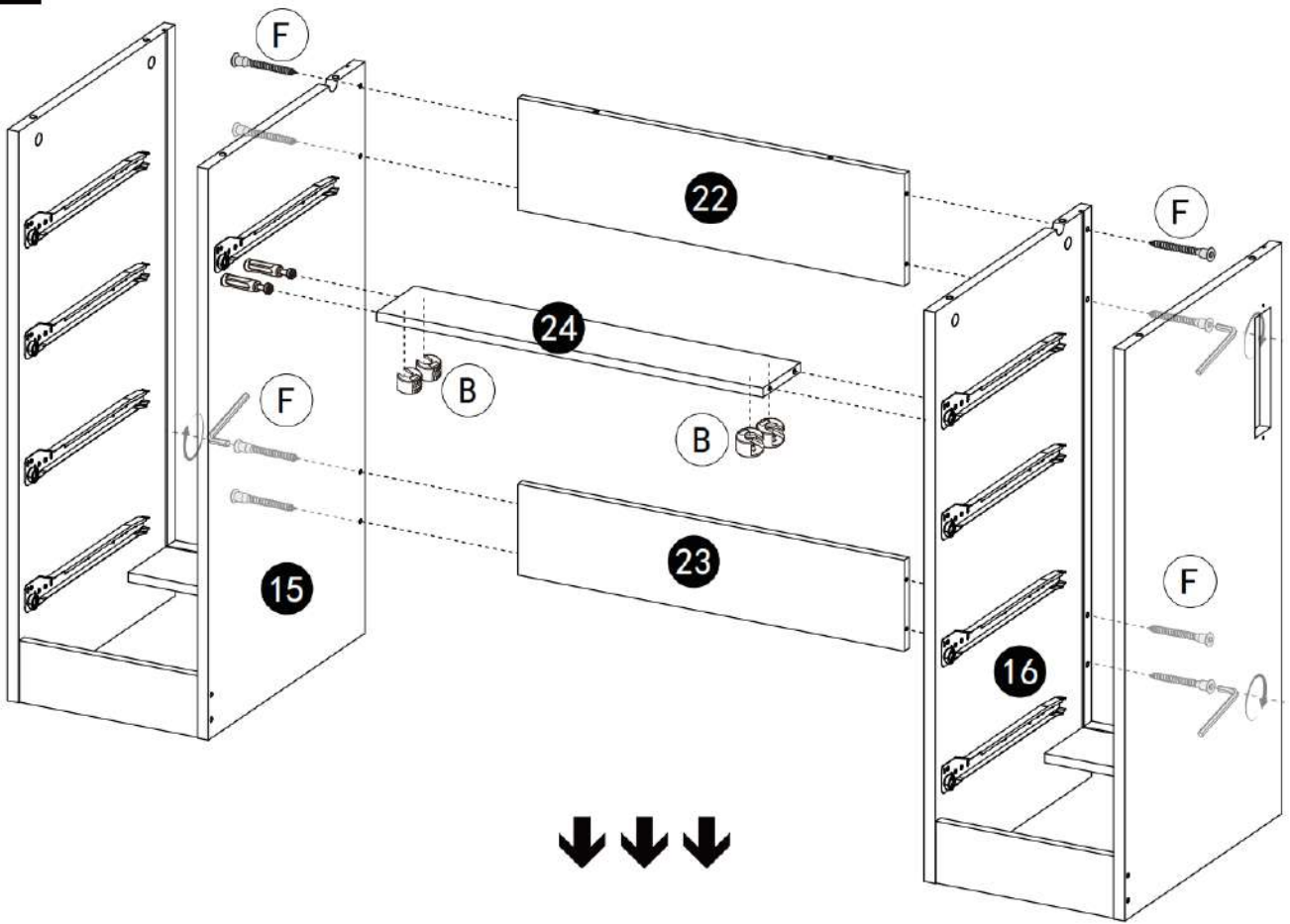




A		x2
B		x2

F		x4
---	---	----



A		x4
G		x8



F		x8
B		x4

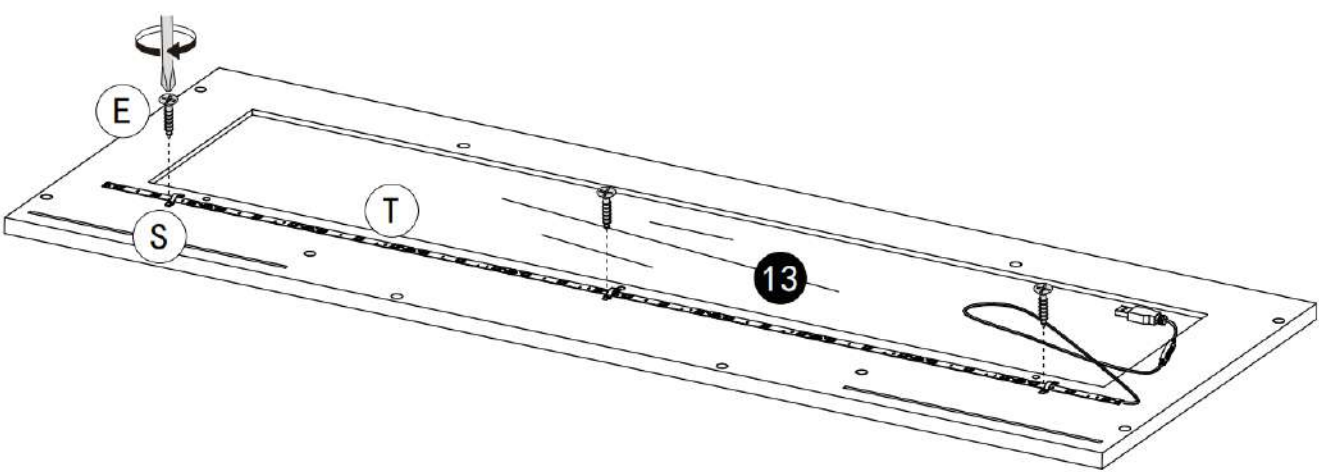
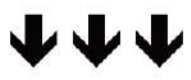
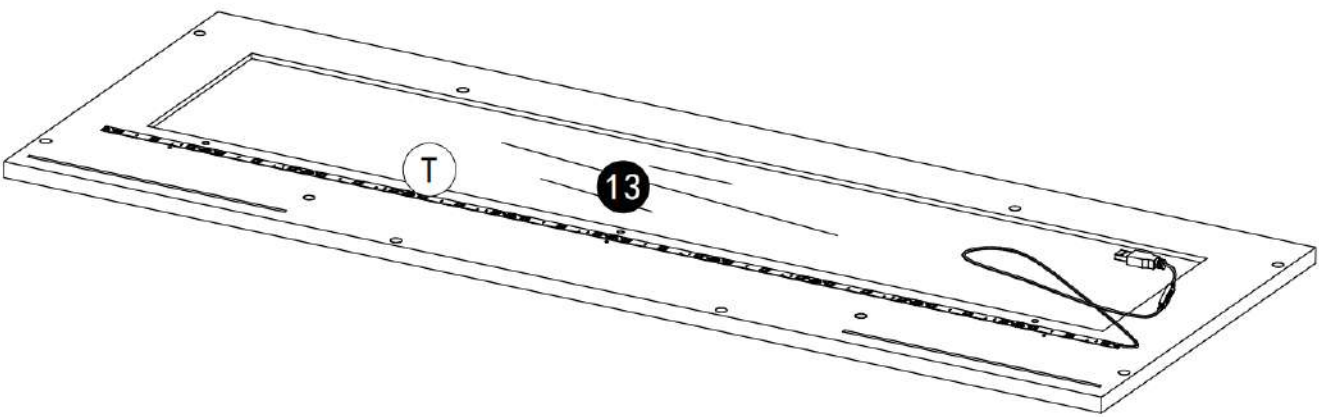
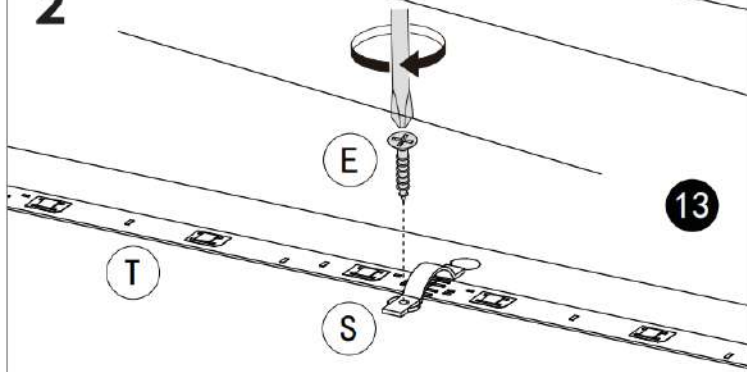
16



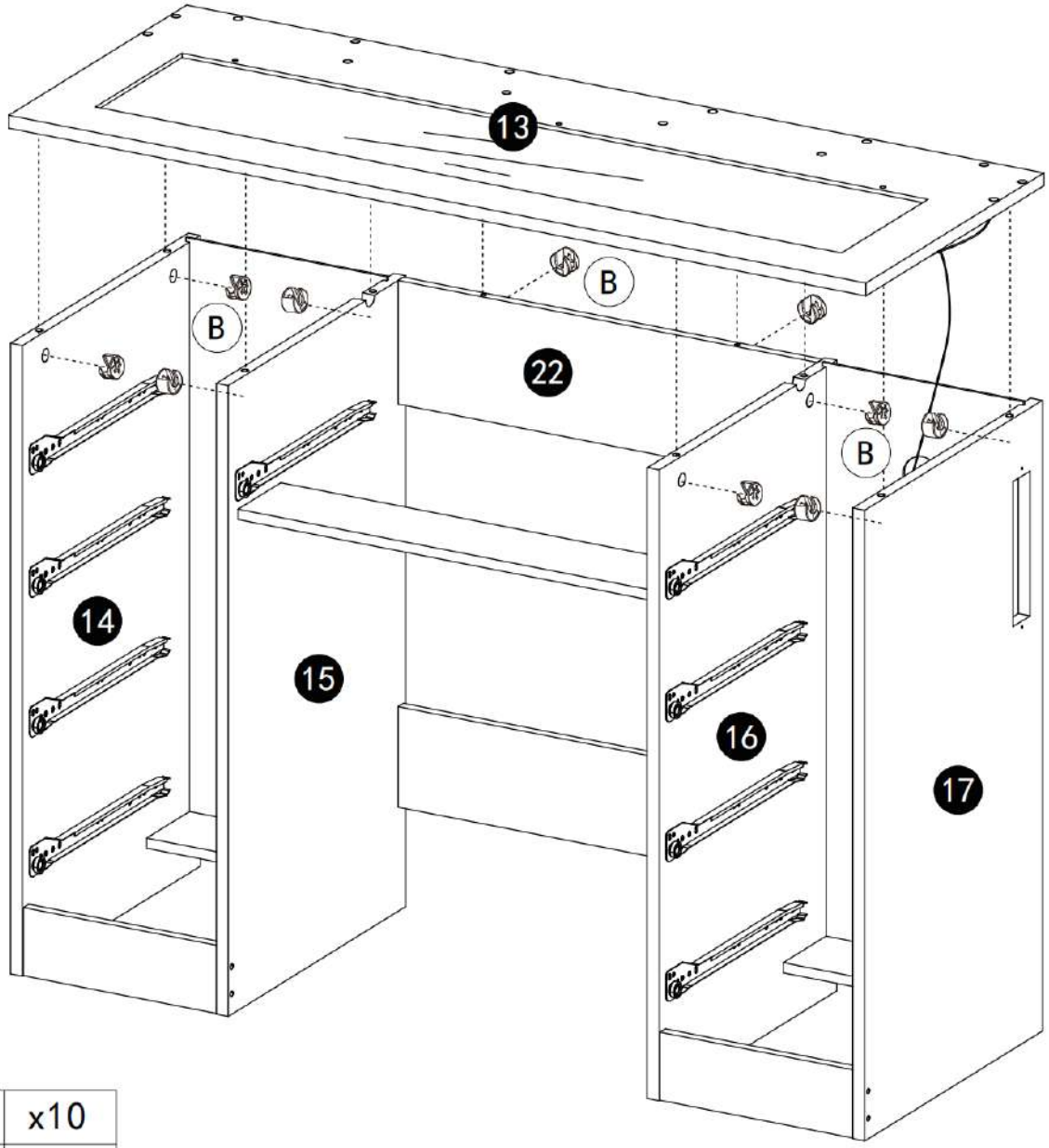
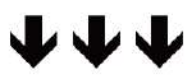
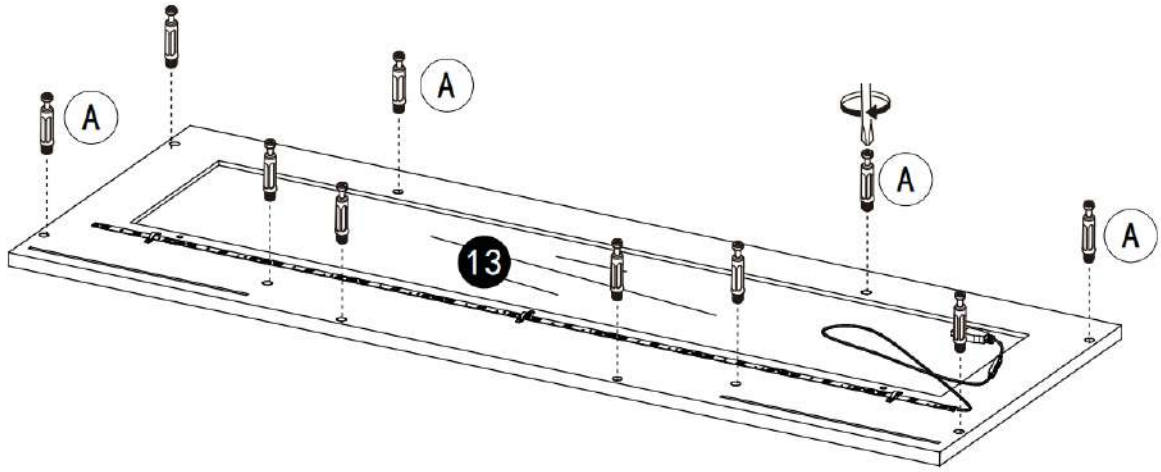
1





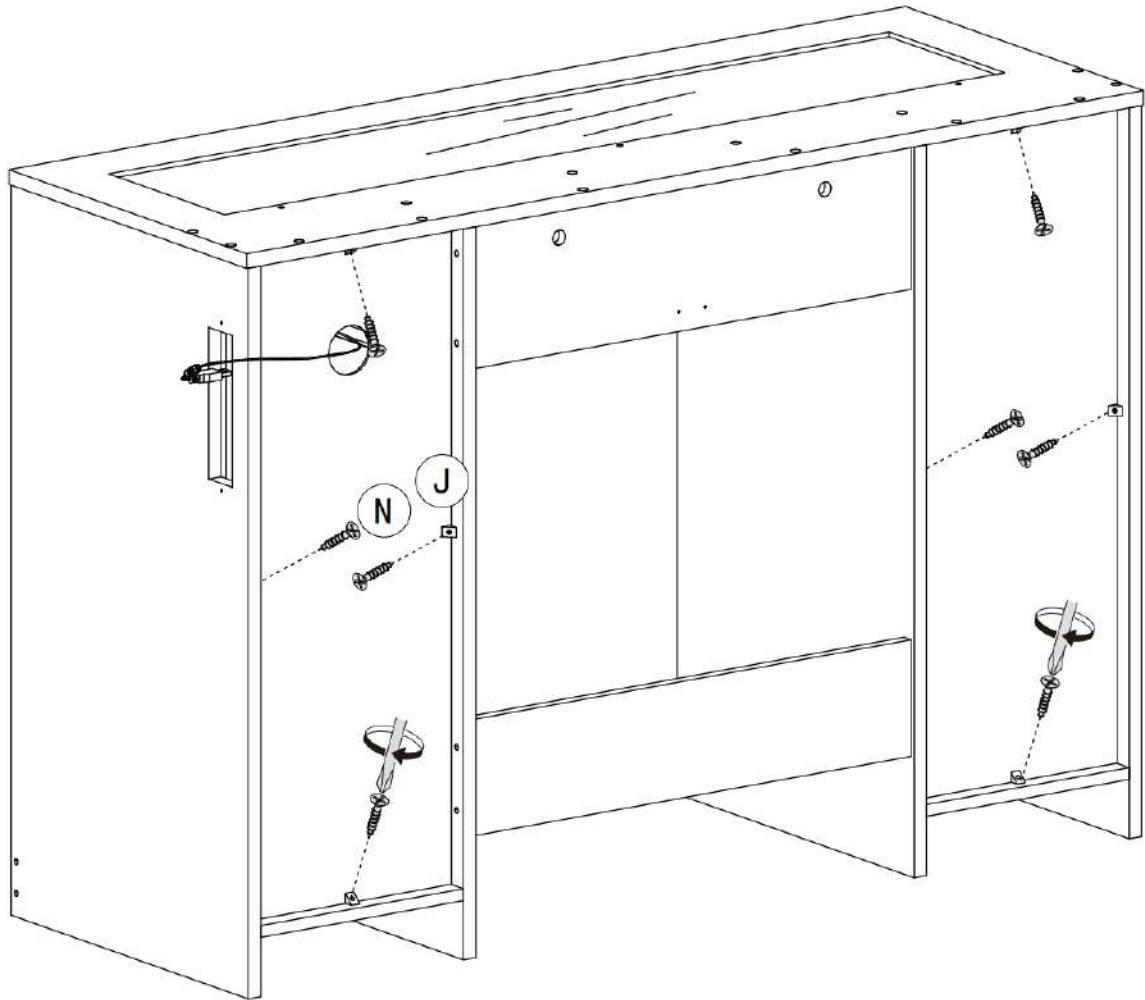
2


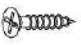


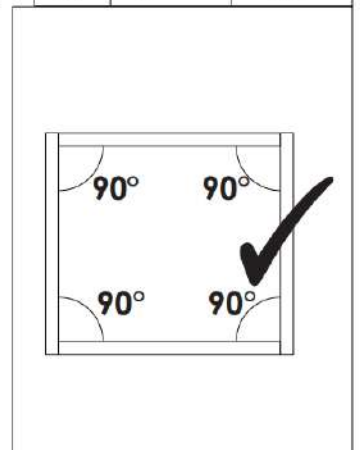
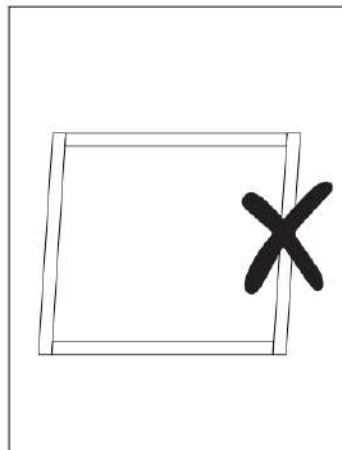
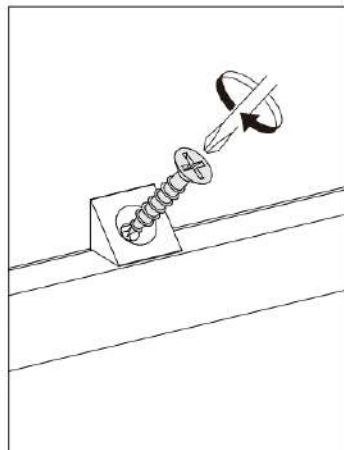
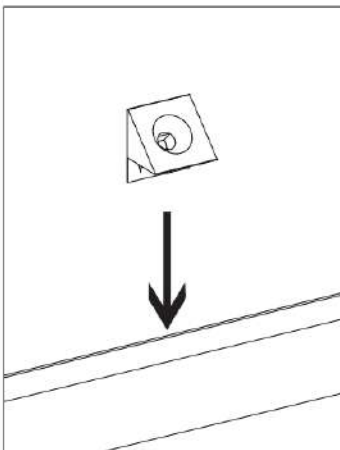
E		x3		
S		x3	T	x1

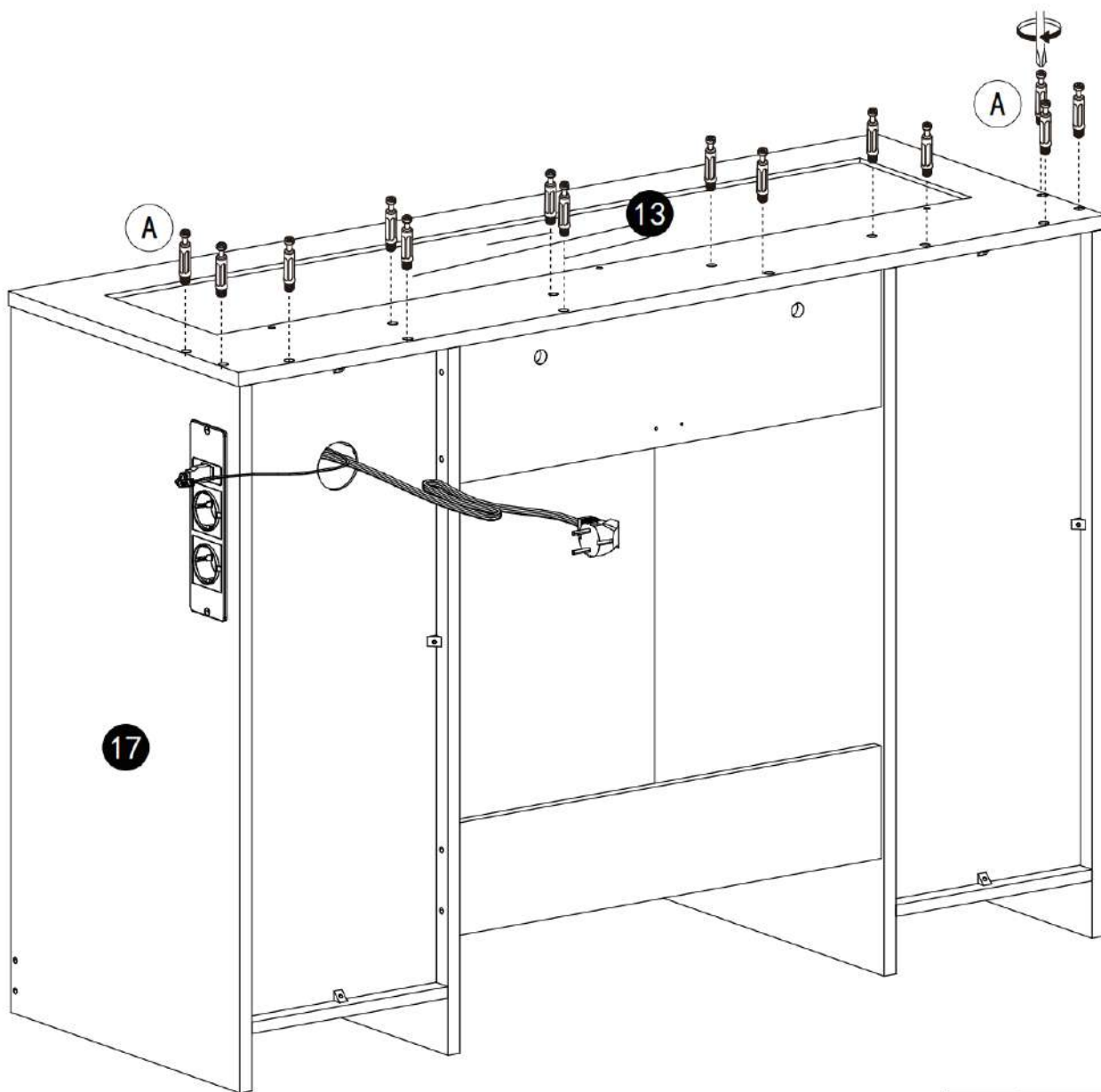
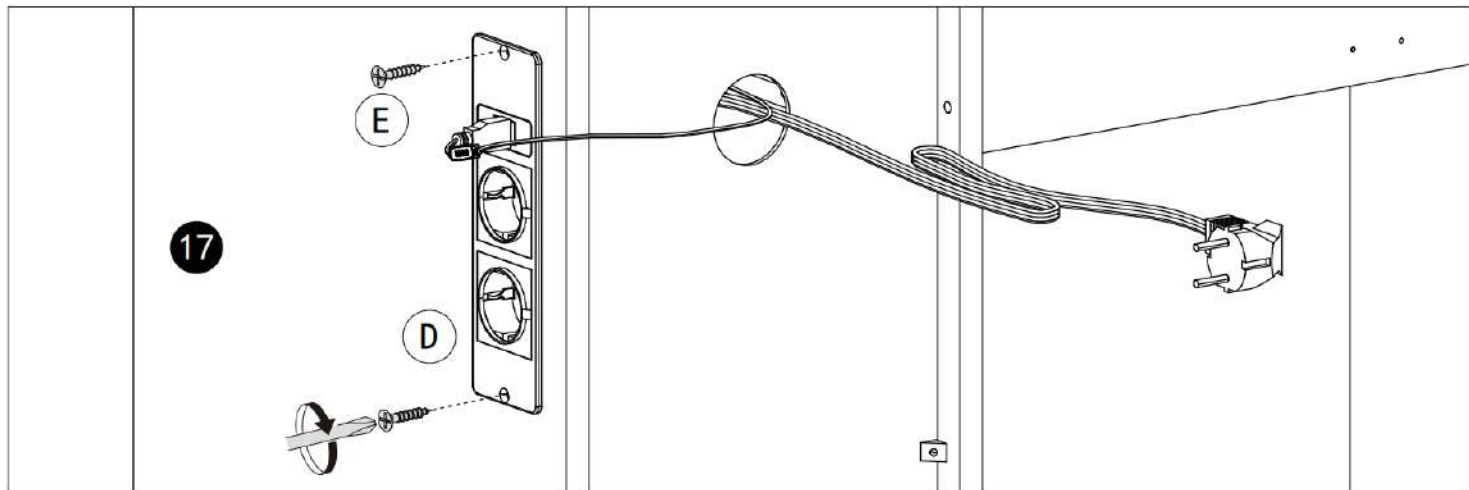




A		x10
B		x10

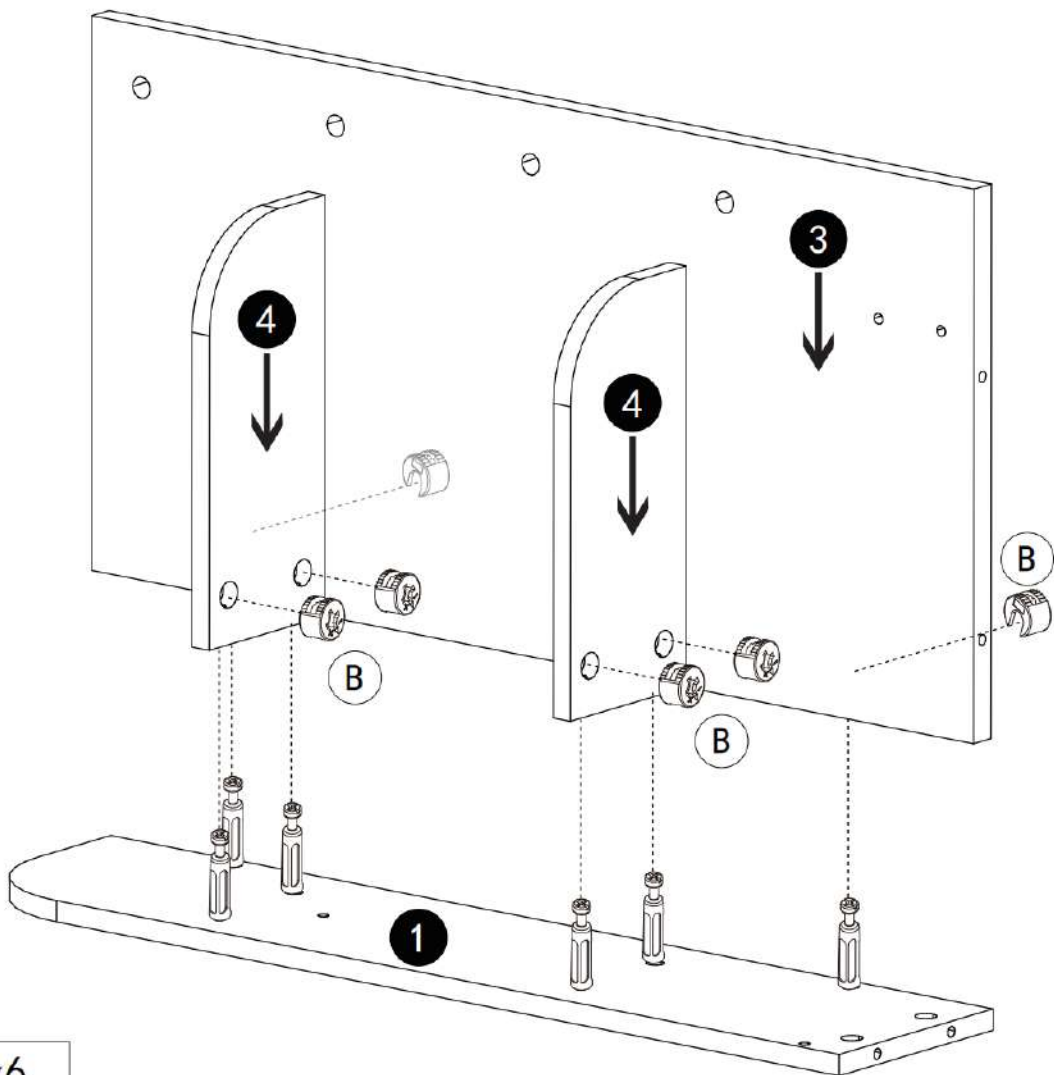
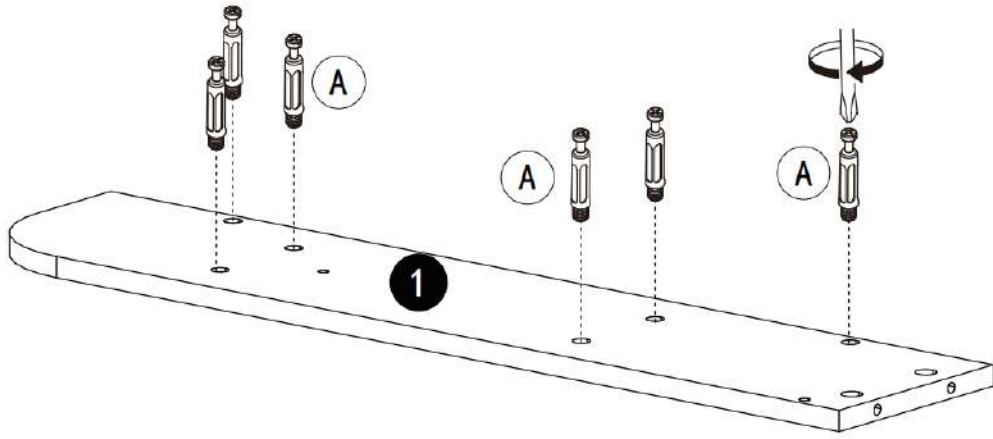




J		x8
N		x8

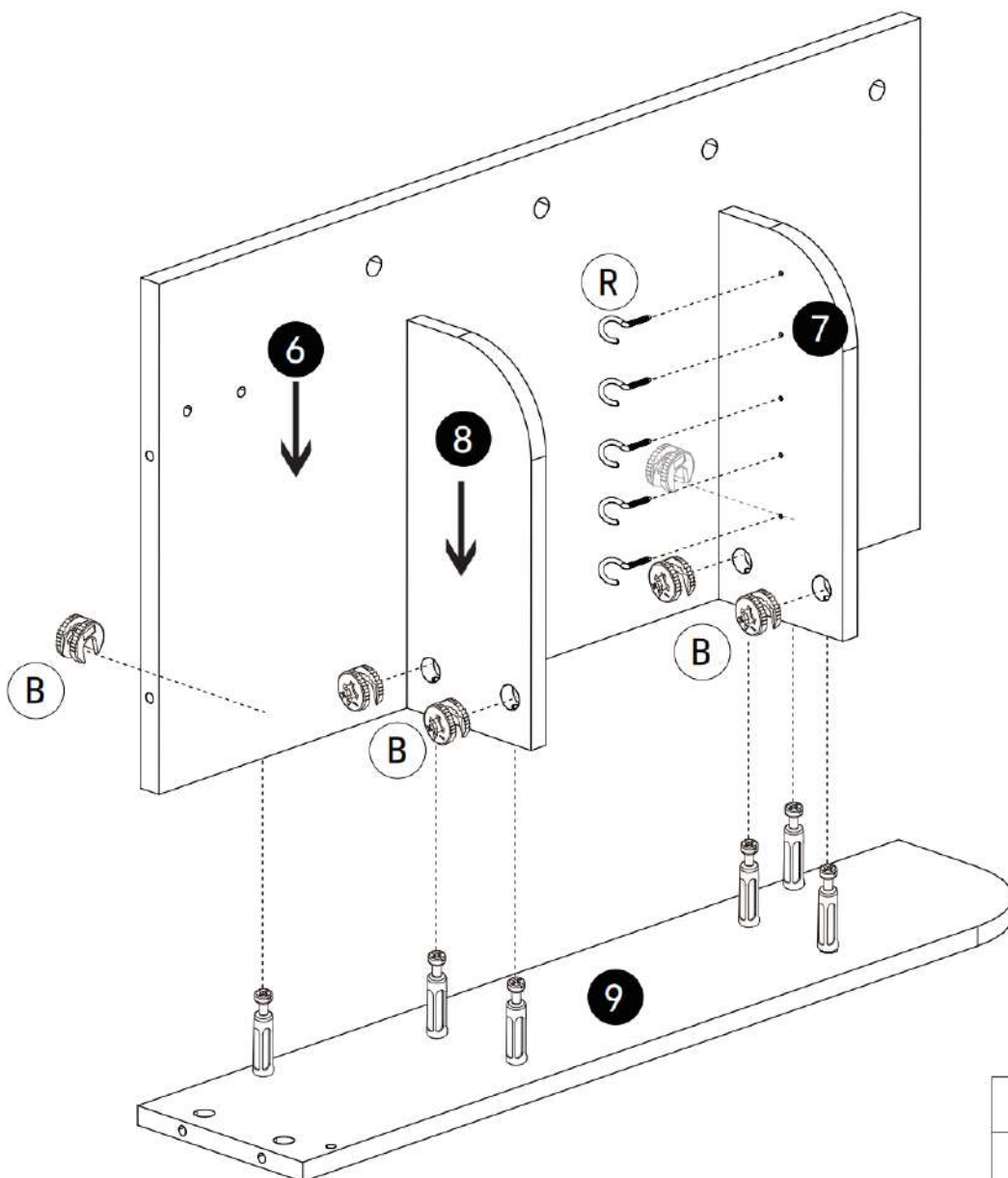
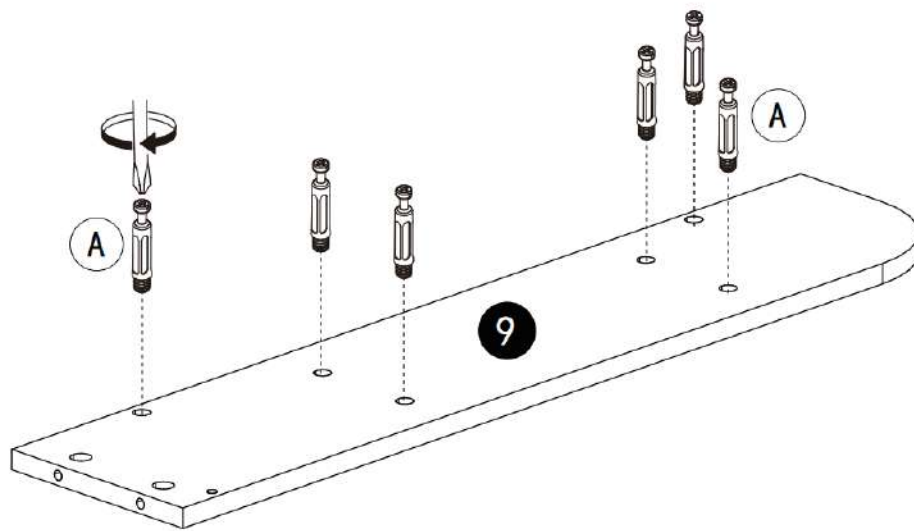







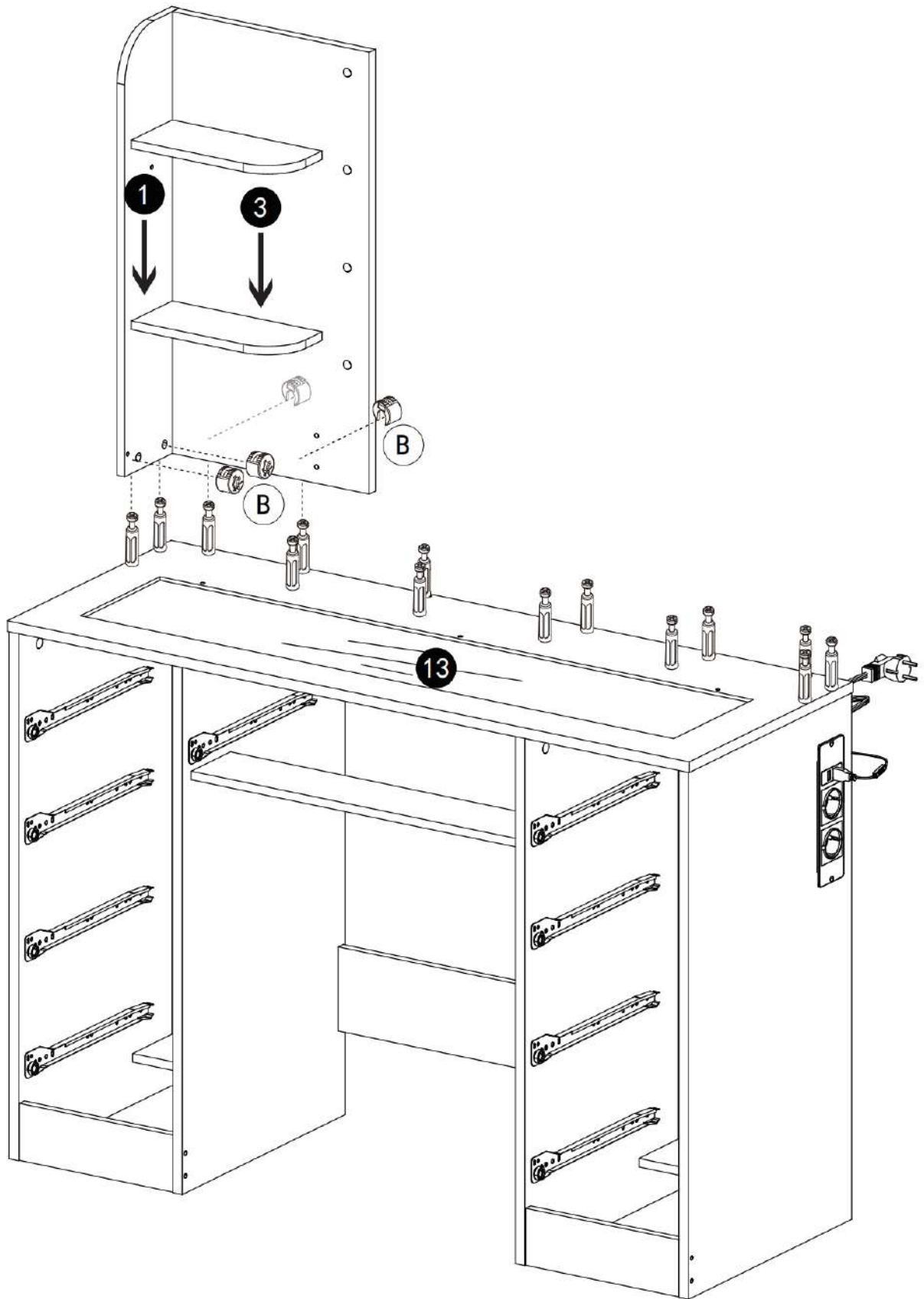
A		x14
E		x2
D		x1



A		x6
B		x6



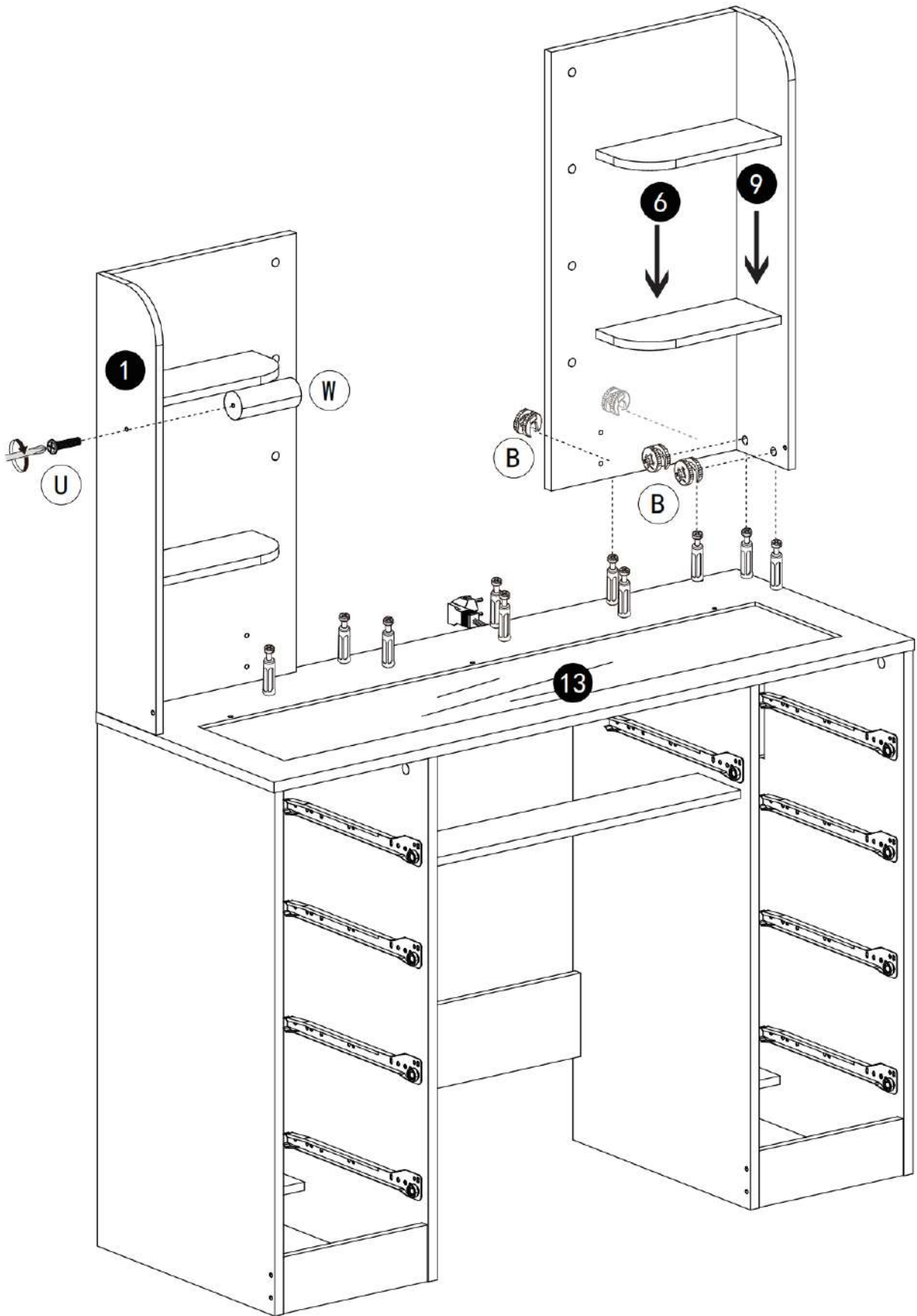
A		x6
B		x6
R		x5



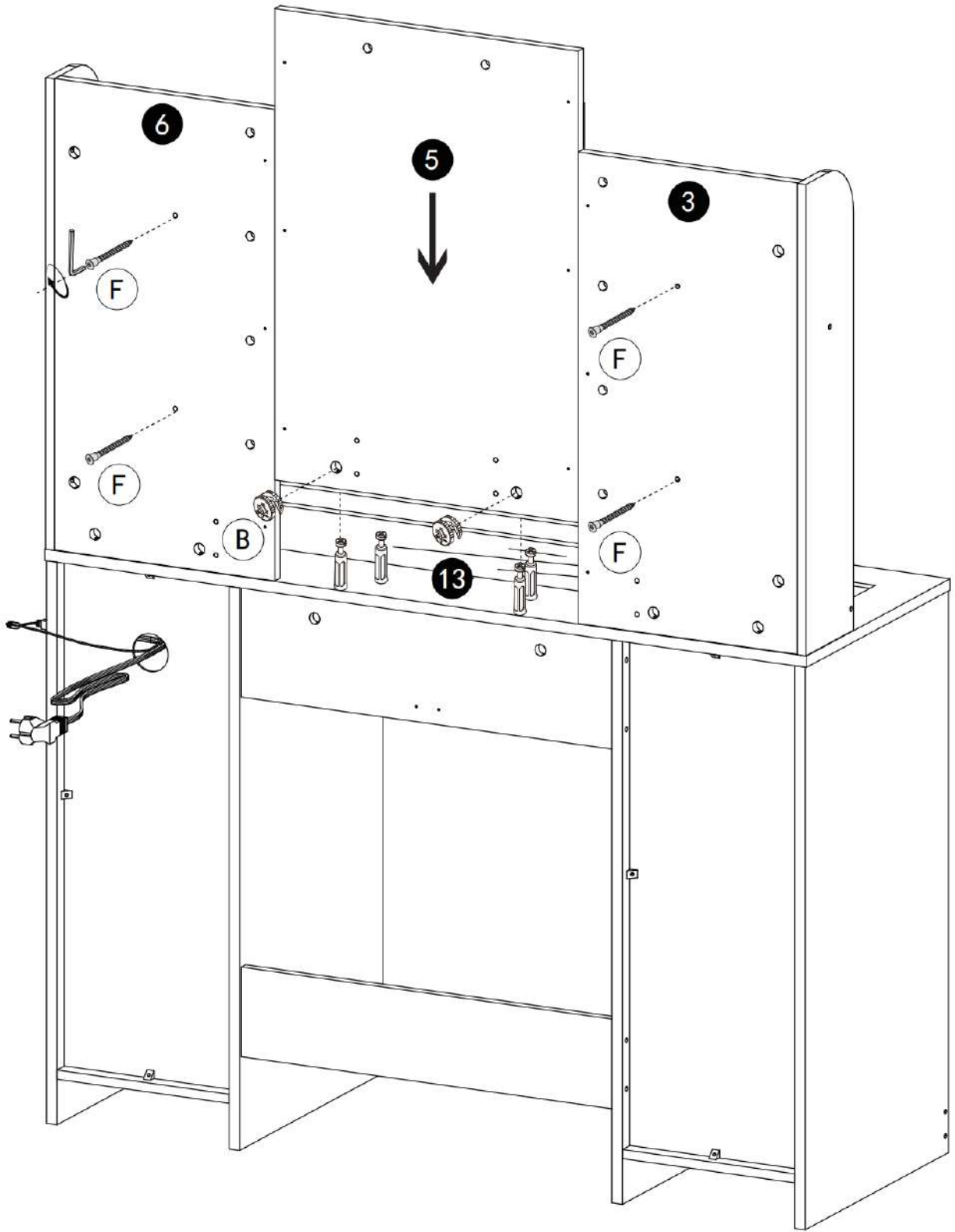
B



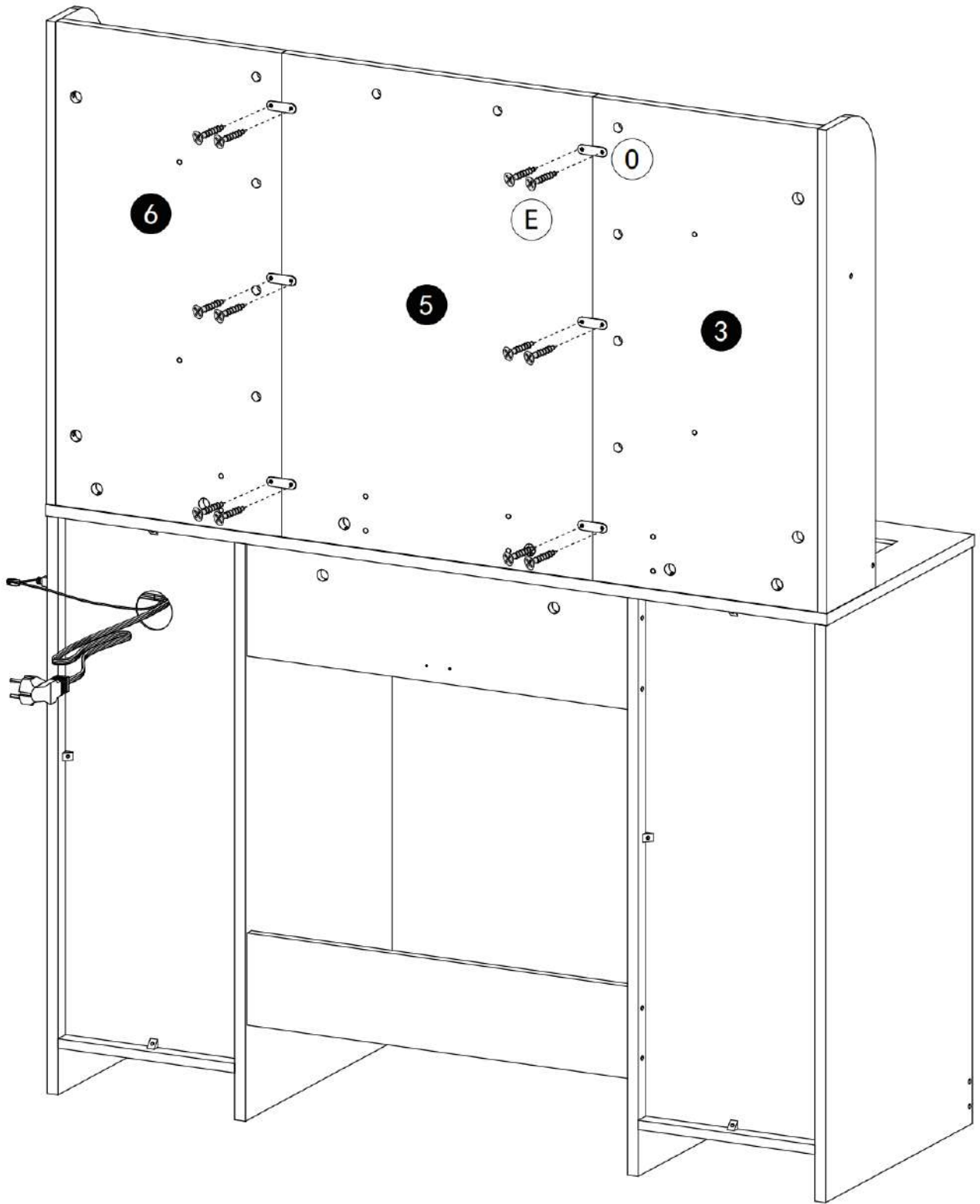
x4





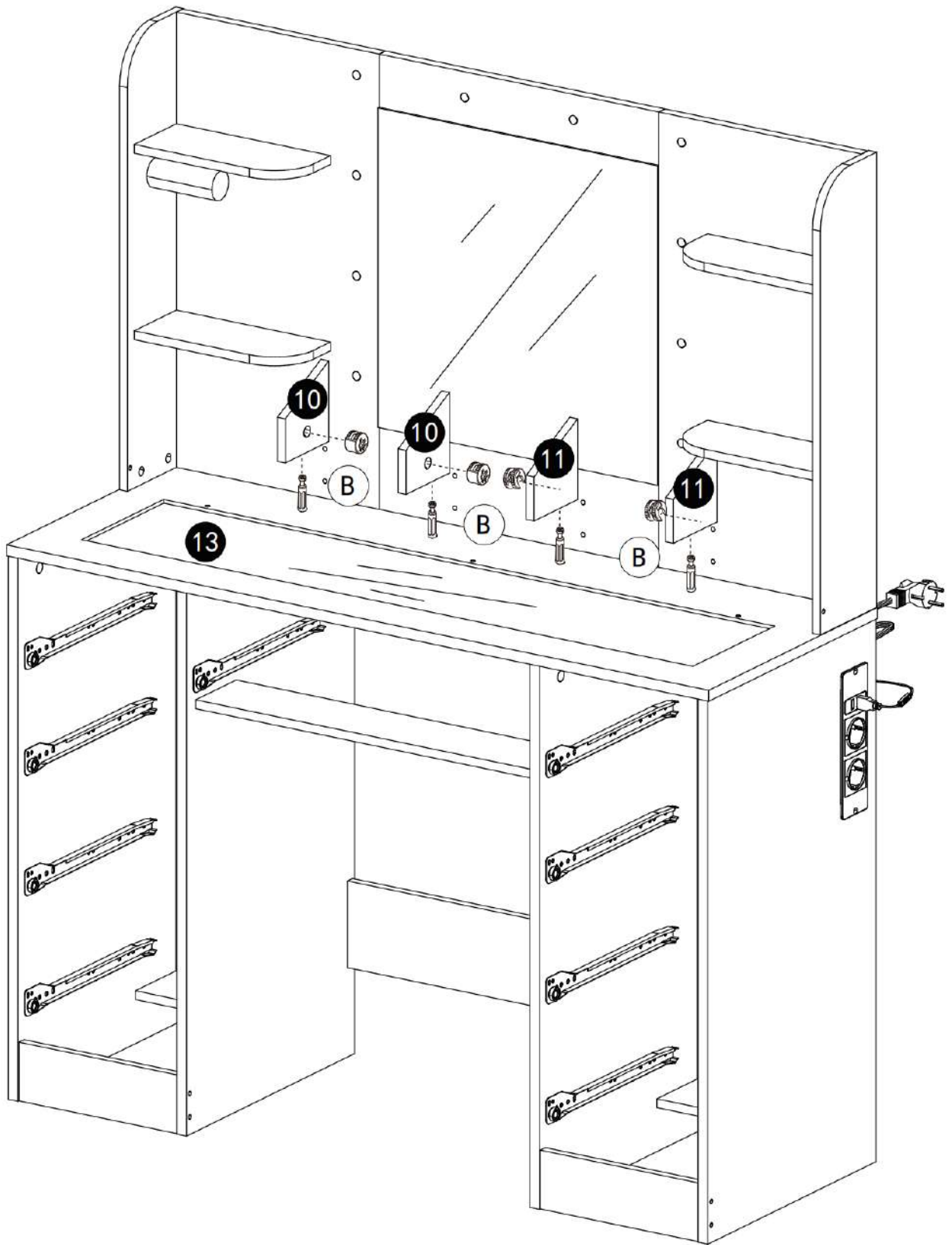
W		x1	U		x1	B		x4
---	---	----	---	---	----	---	---	----



B		x2	F		x4
---	---	----	---	---	----



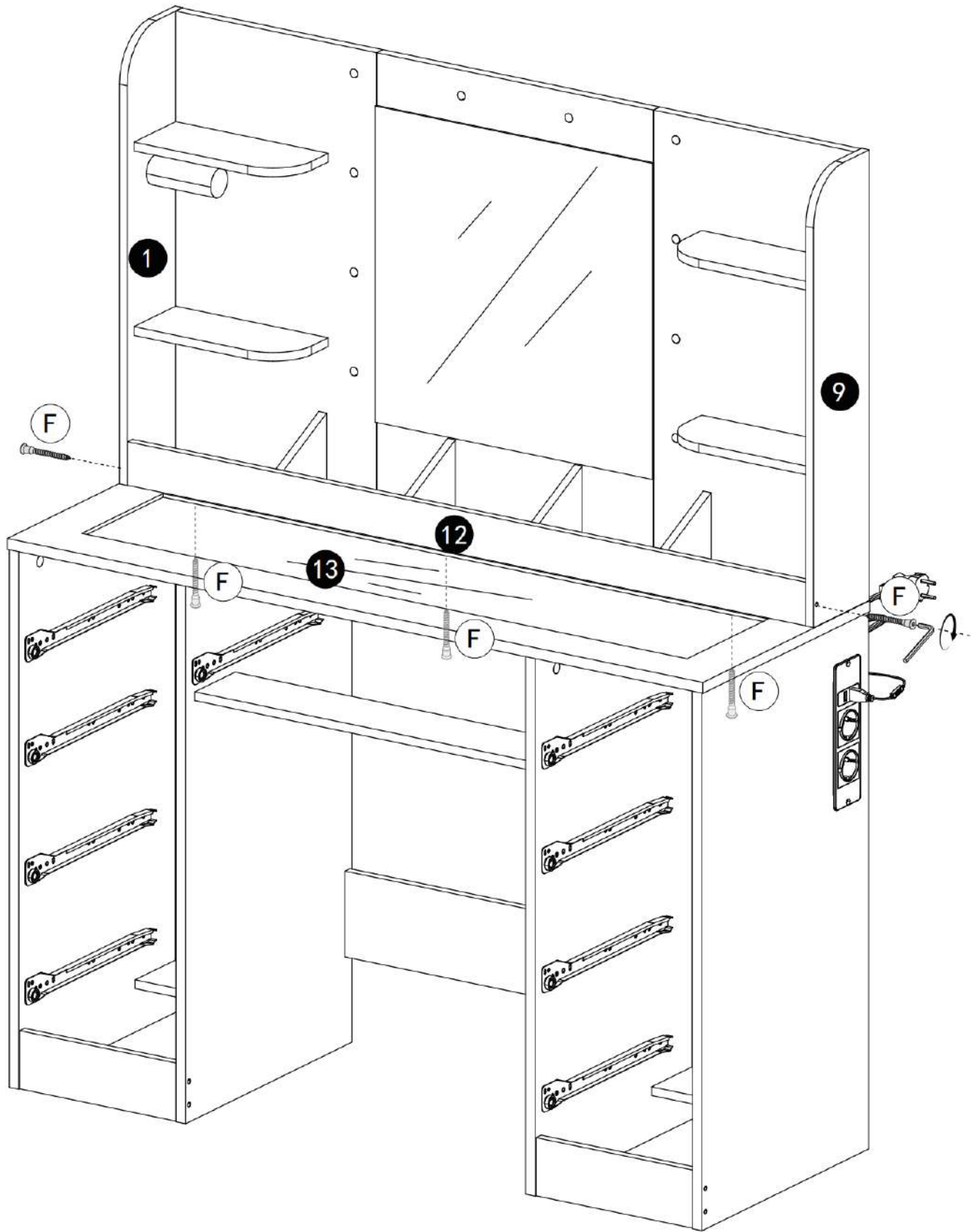
0		x6
E		x12



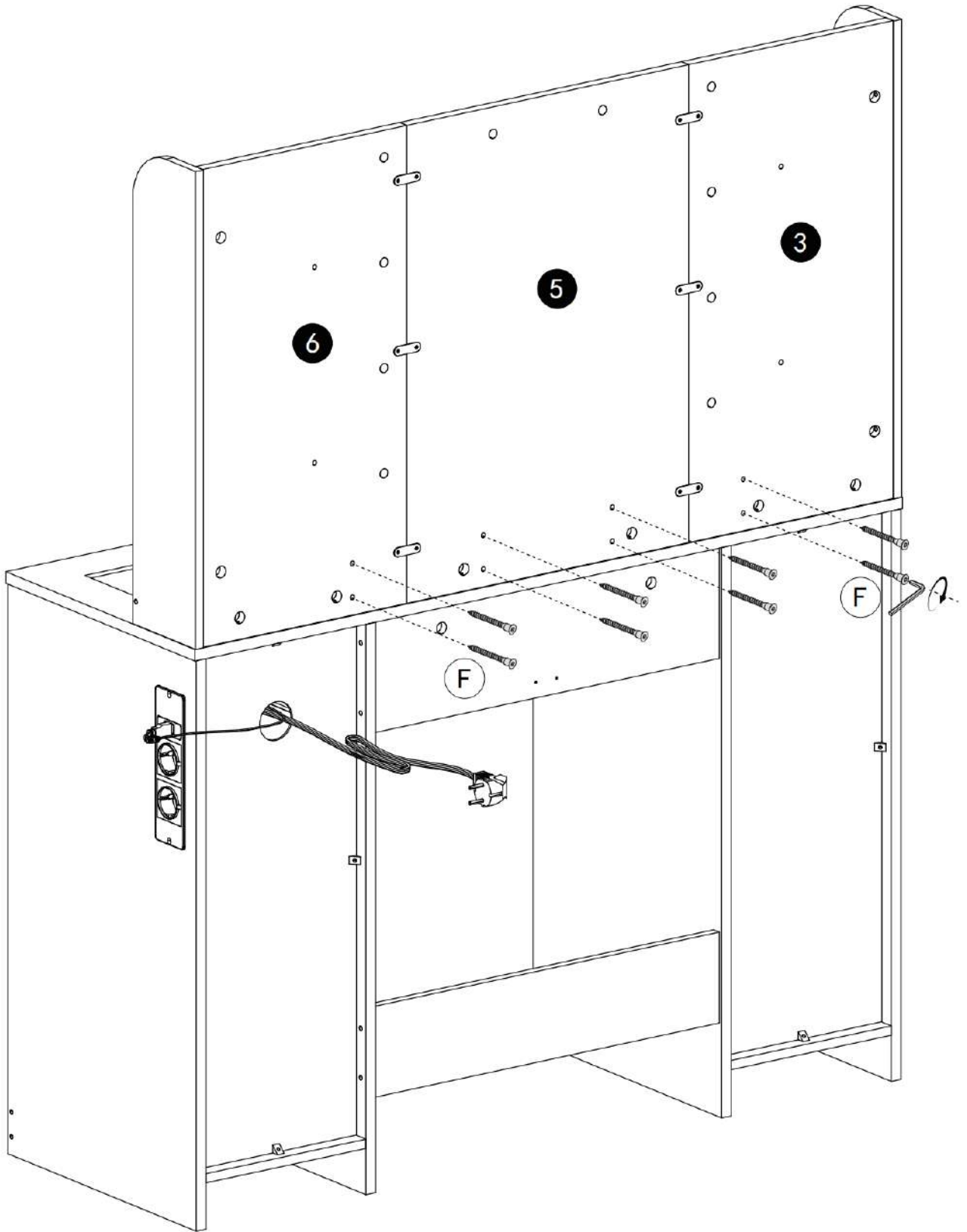
B



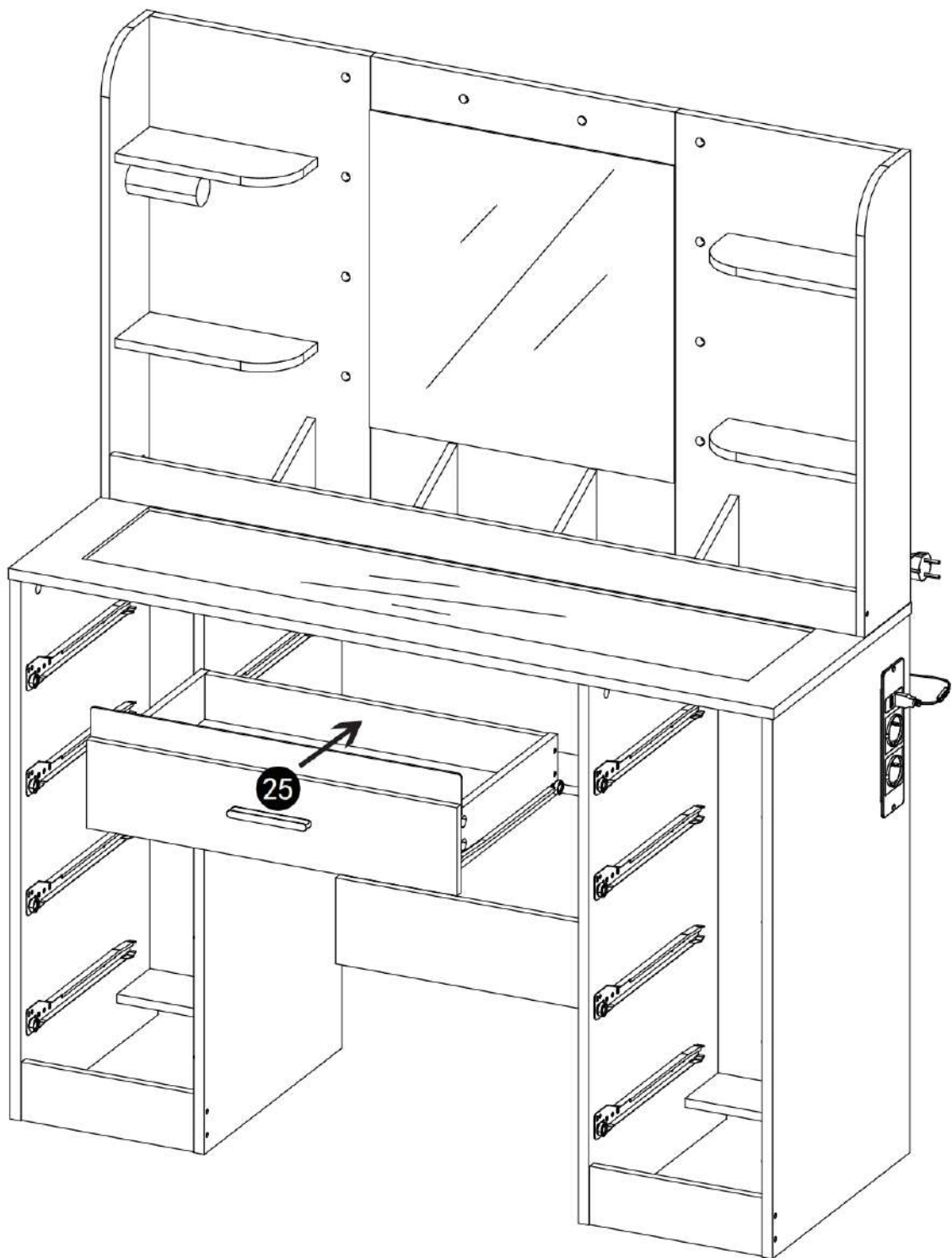
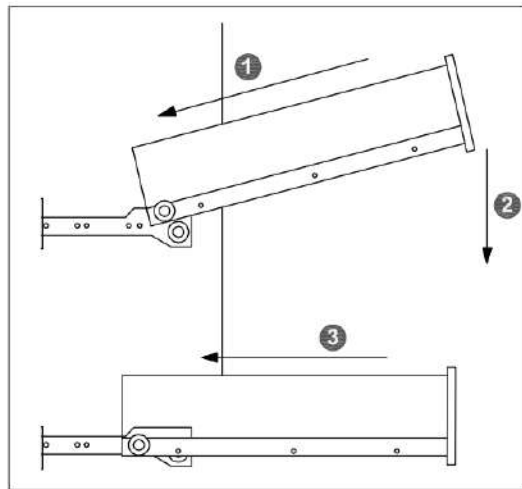
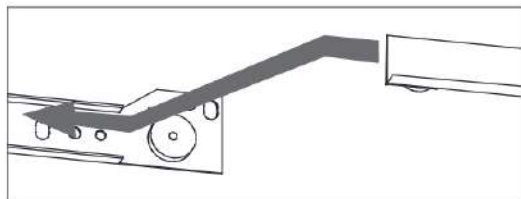
x4

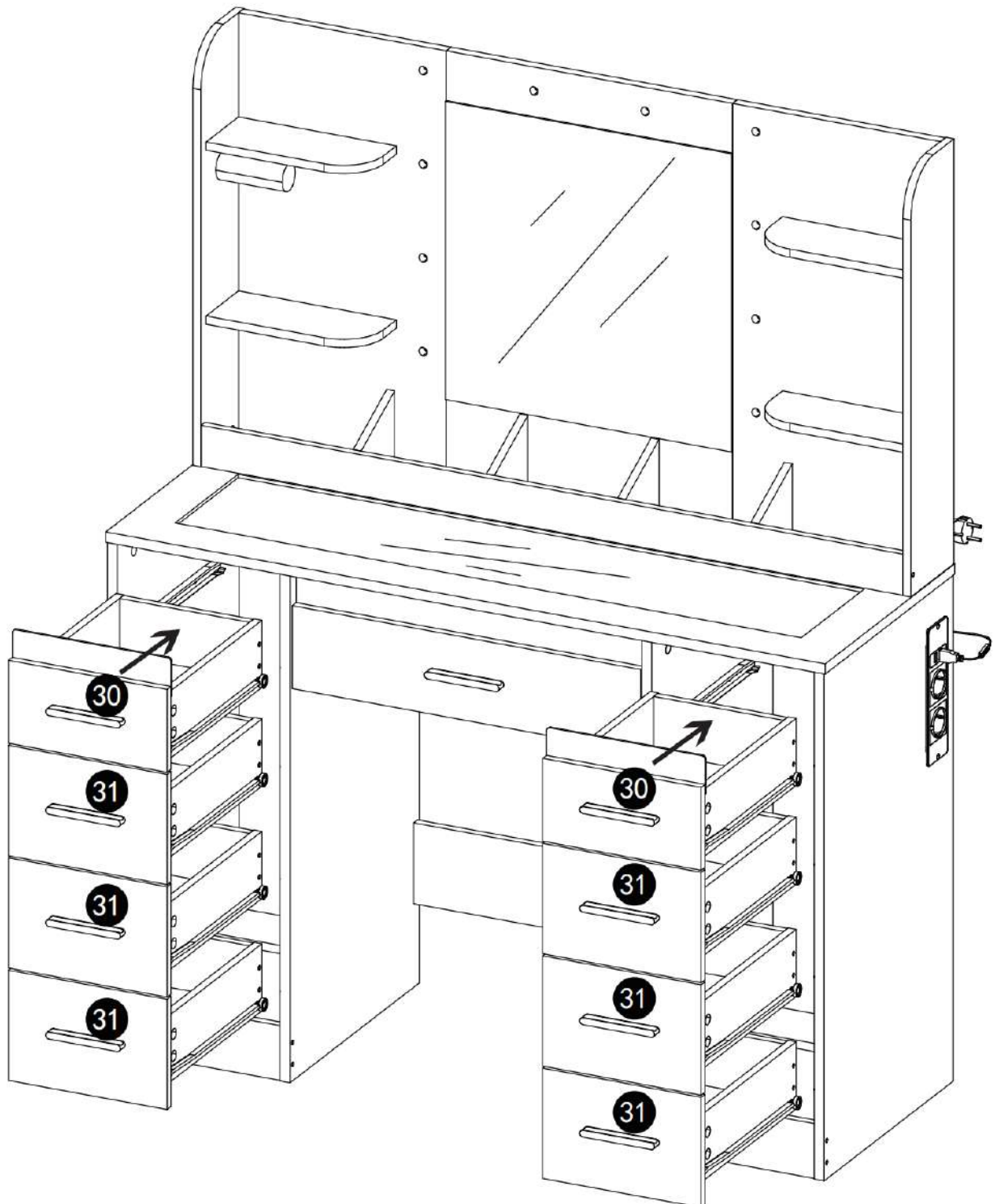
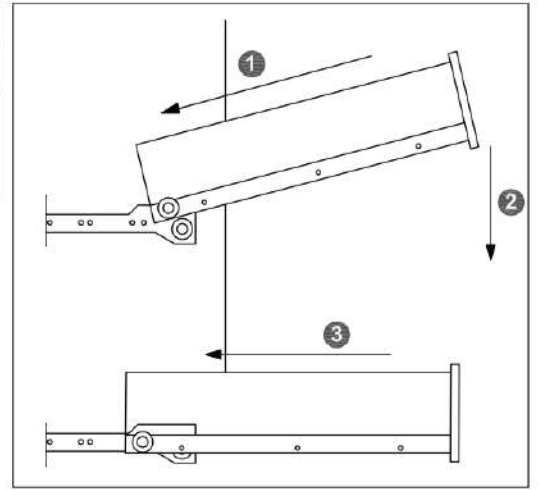
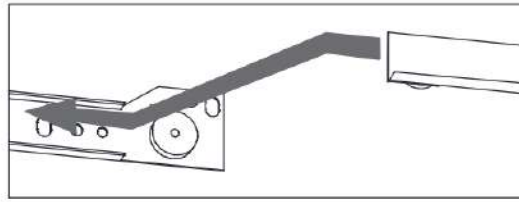


F		x5
---	---	----



F		x8
---	---	----



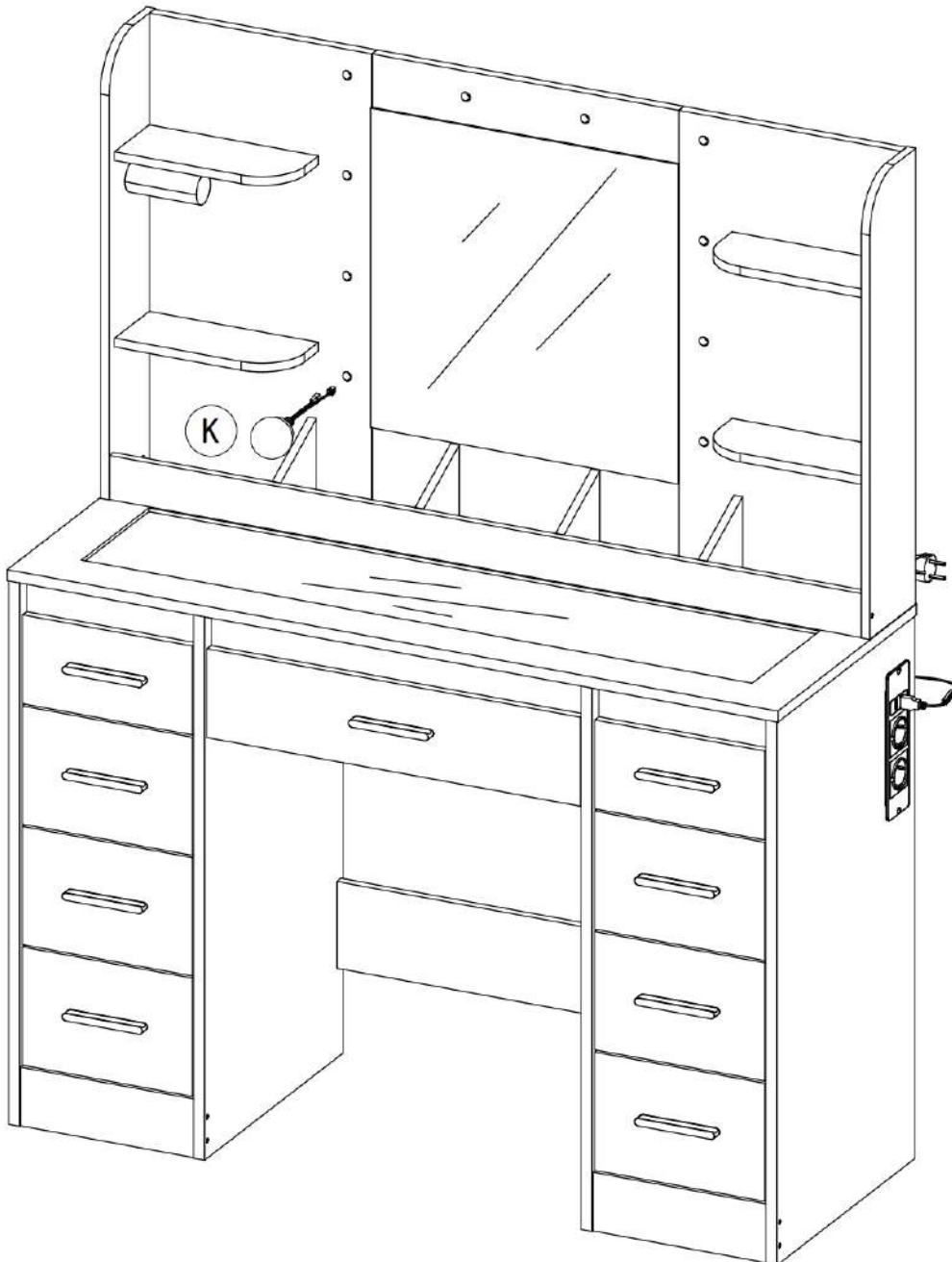
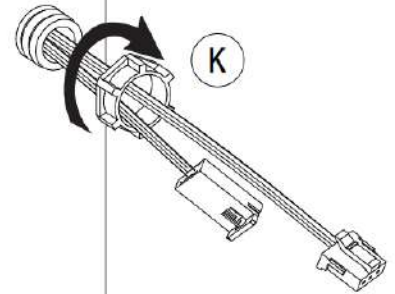
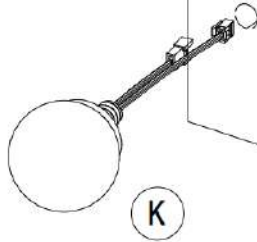


31

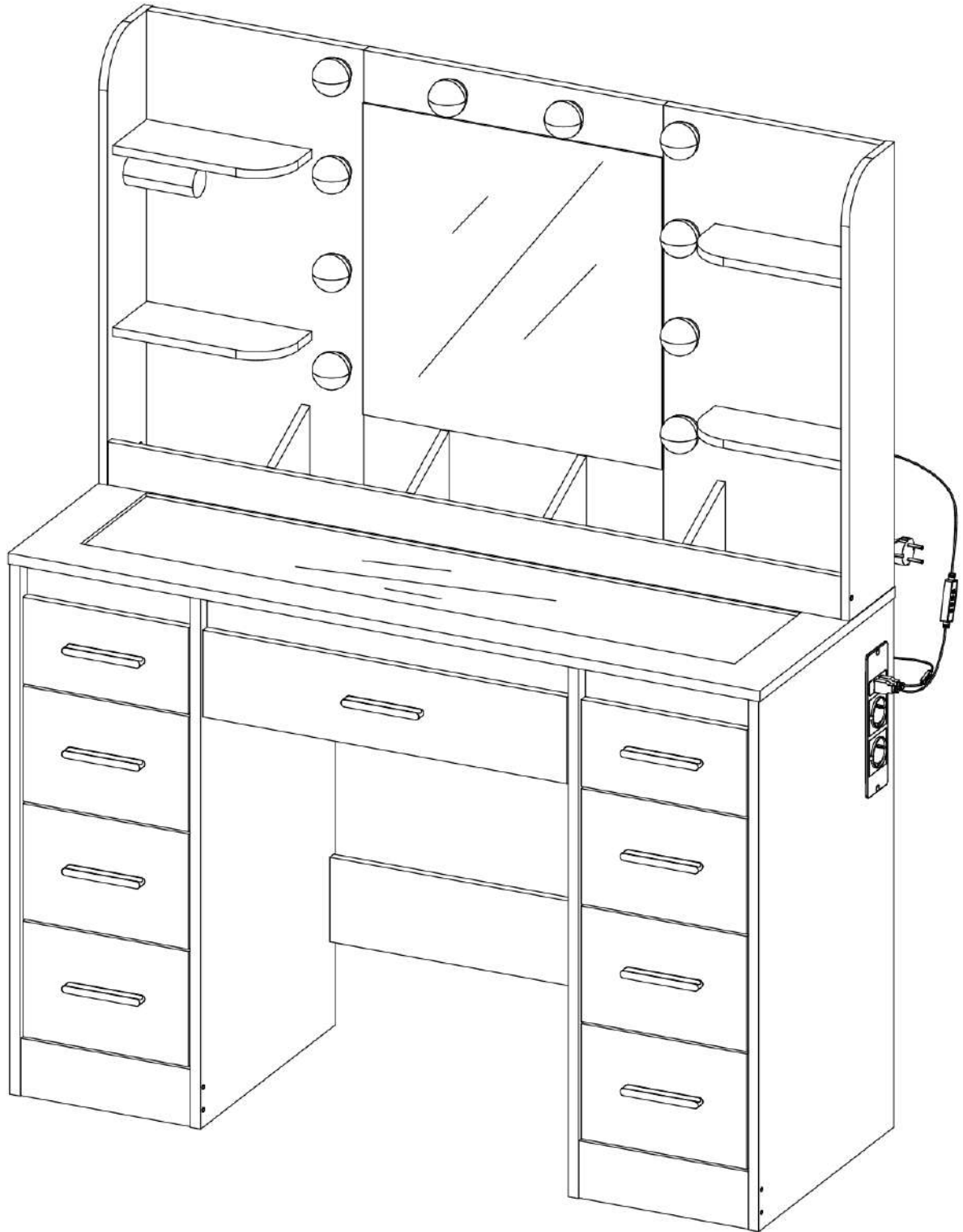
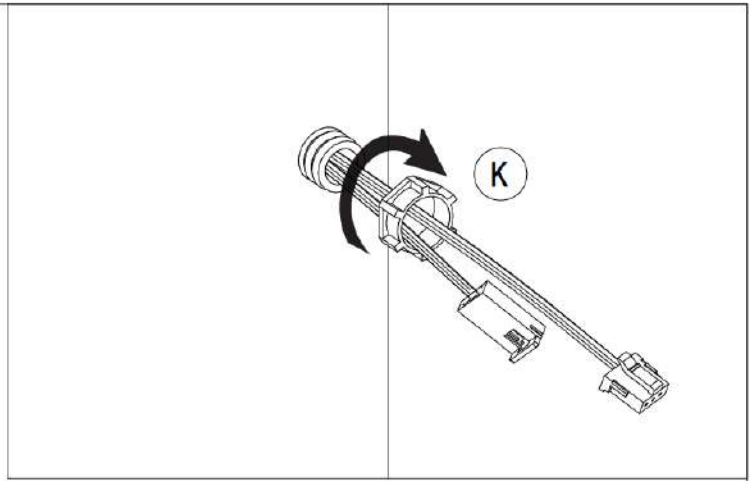
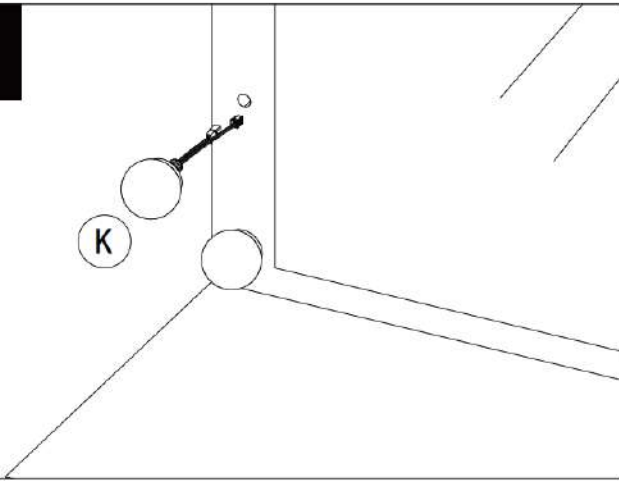


x10 PC

Install the  
middle bulbs  
(10 pcs)

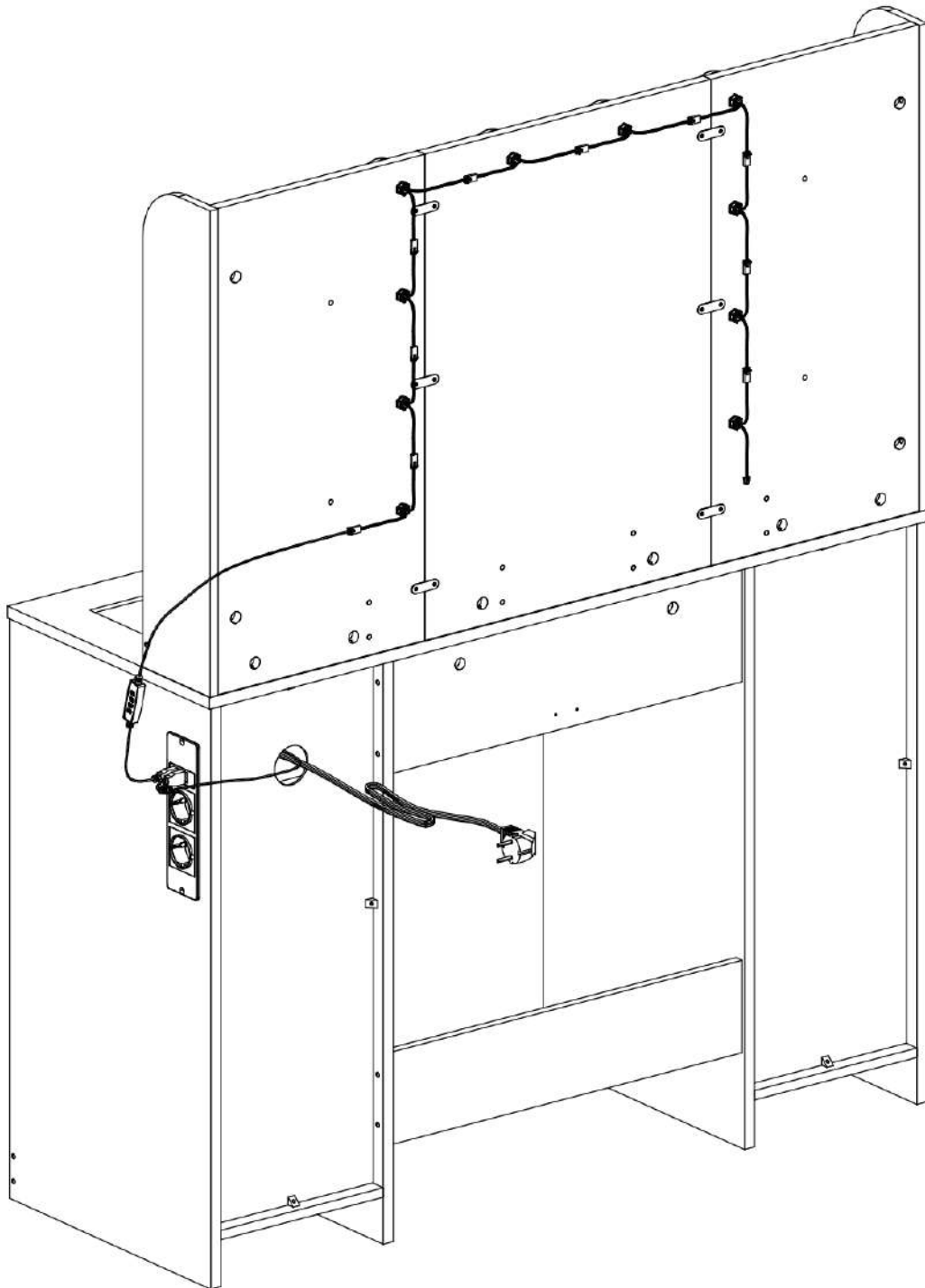
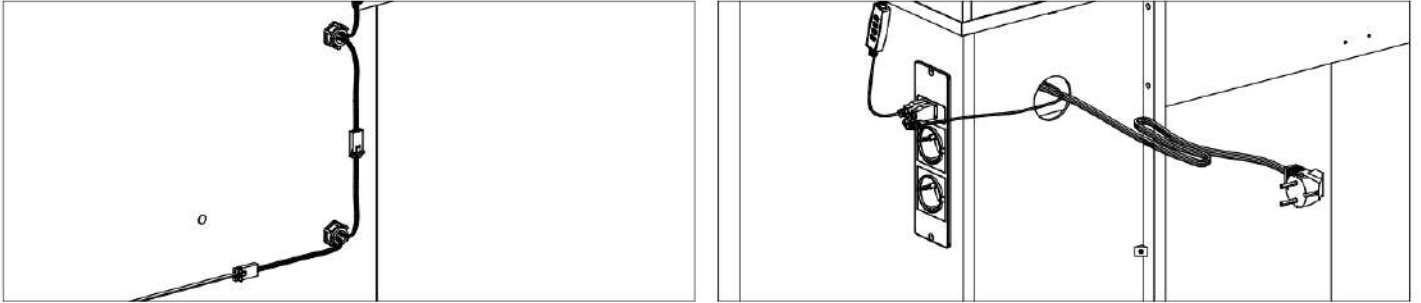
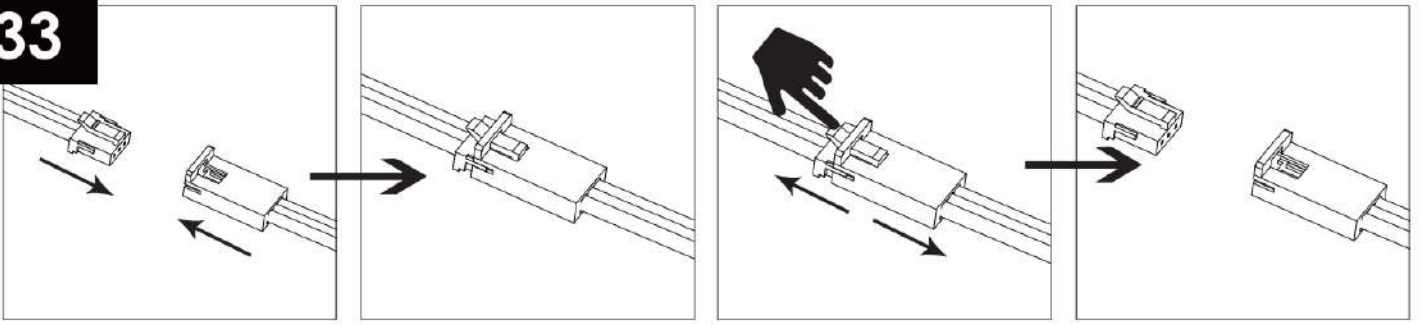


32



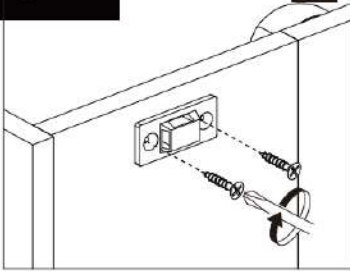
K  x1

33

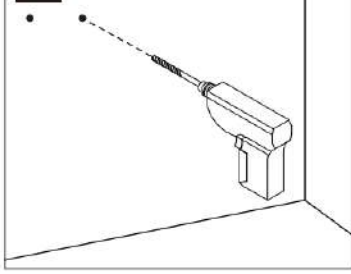


34

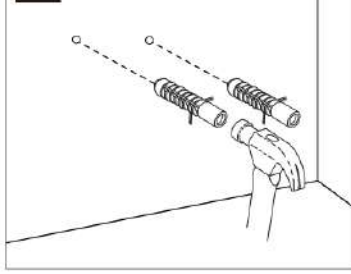
1



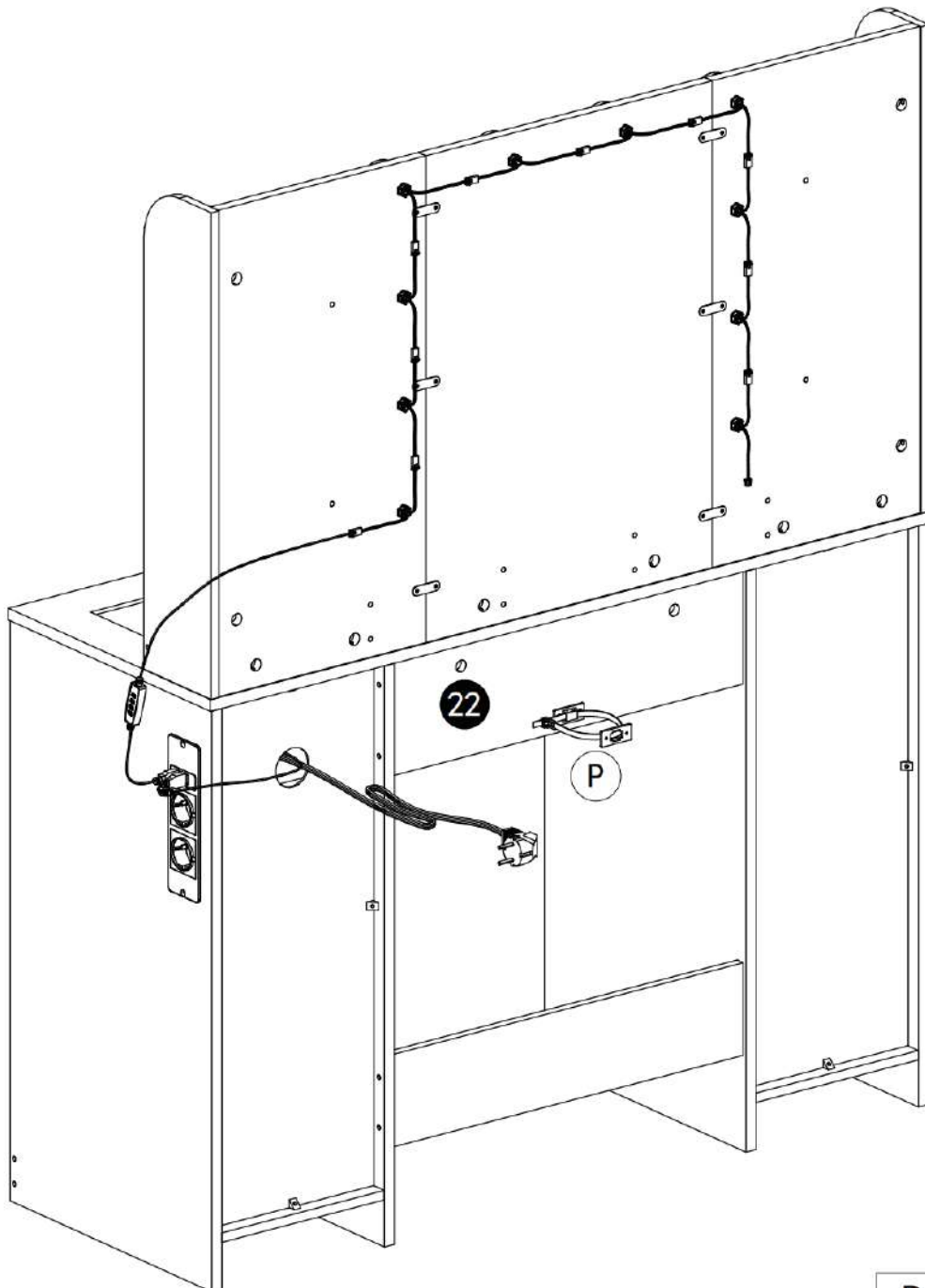
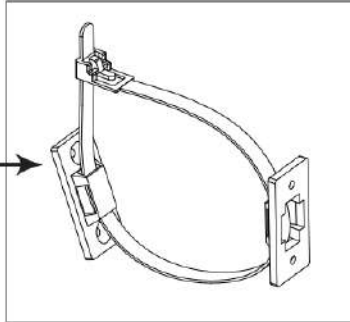
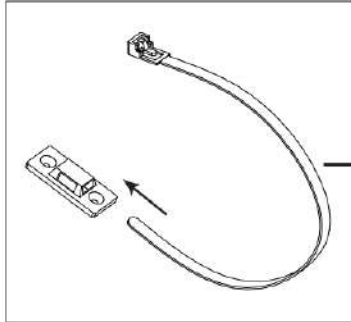
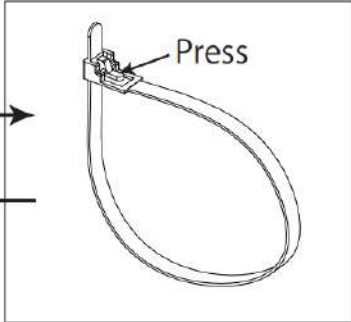
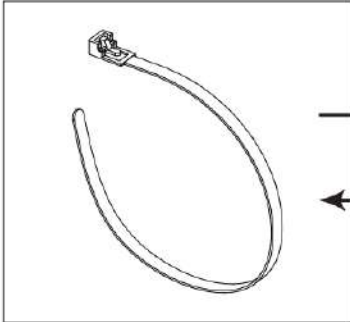
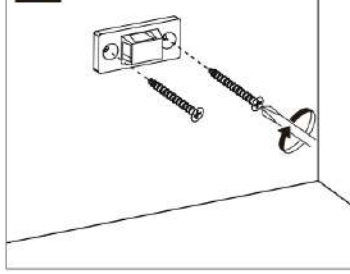
2



3

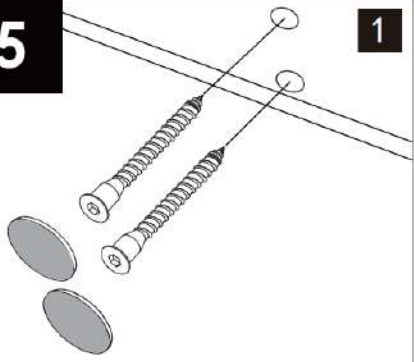


4



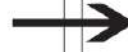
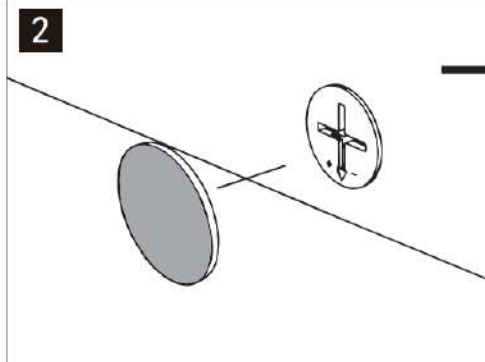
P  x1

35

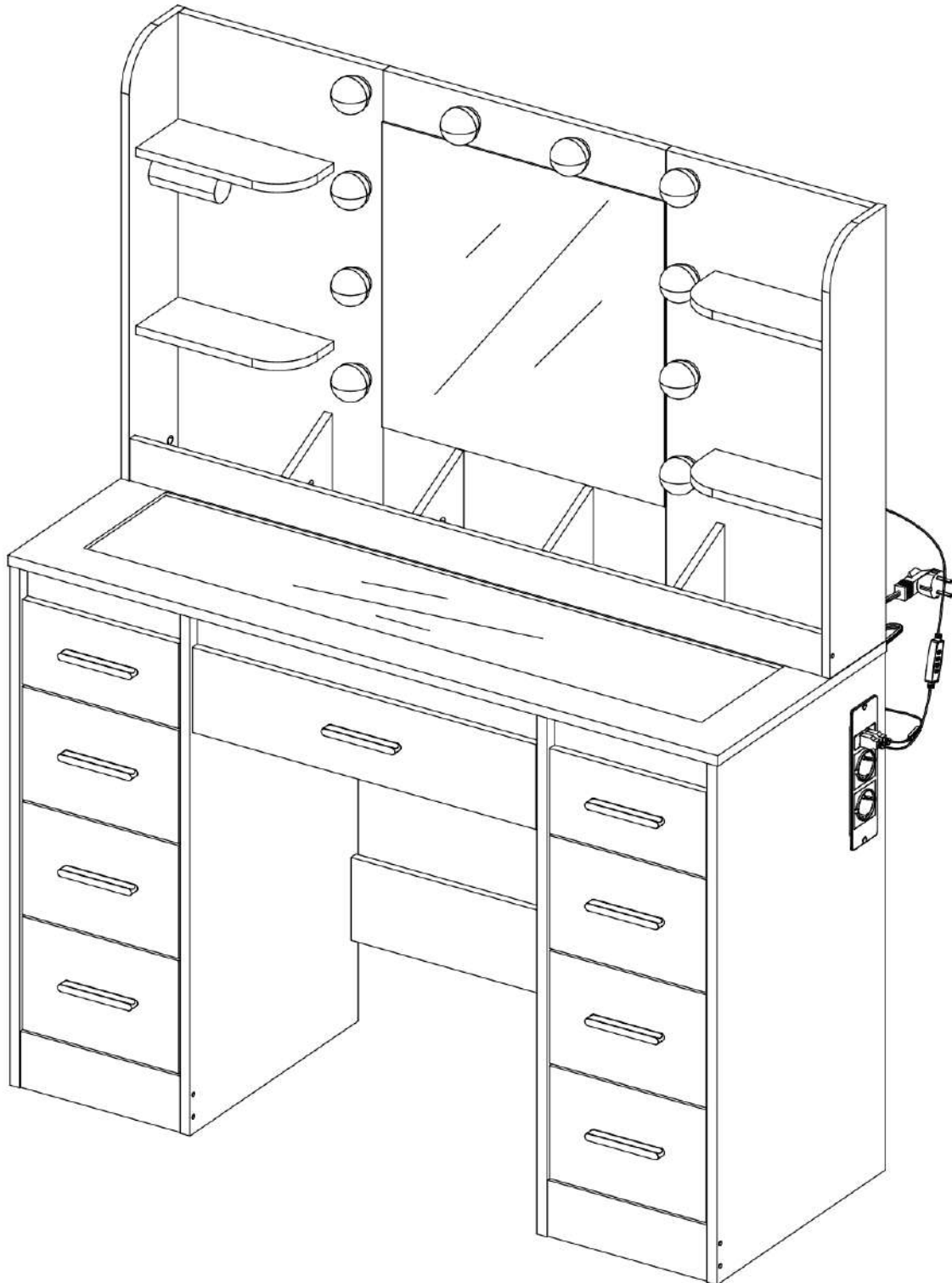


1

2



Add L fittings to all exposed holes on the front of the product



L  x20