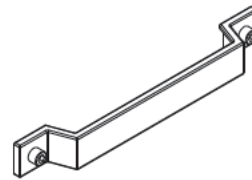
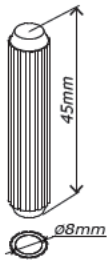


A34
x2



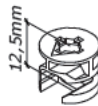
M214
x2



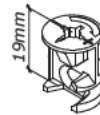
H325
x12



T28
x17



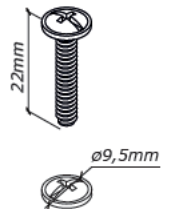
T7
x9



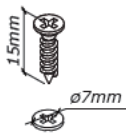
T97
x6



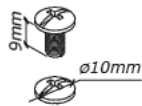
T78
x2



V32
x4



V5
x14



V38
x2



H2
x10



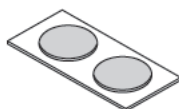
T94
x6



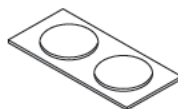
P34
x6



H113
x4



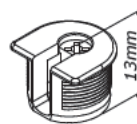
G196
x2



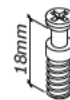
G149
x2



R40
x4



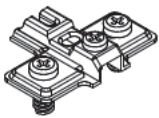
T116
x6



T69
x6



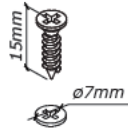
H54
x4



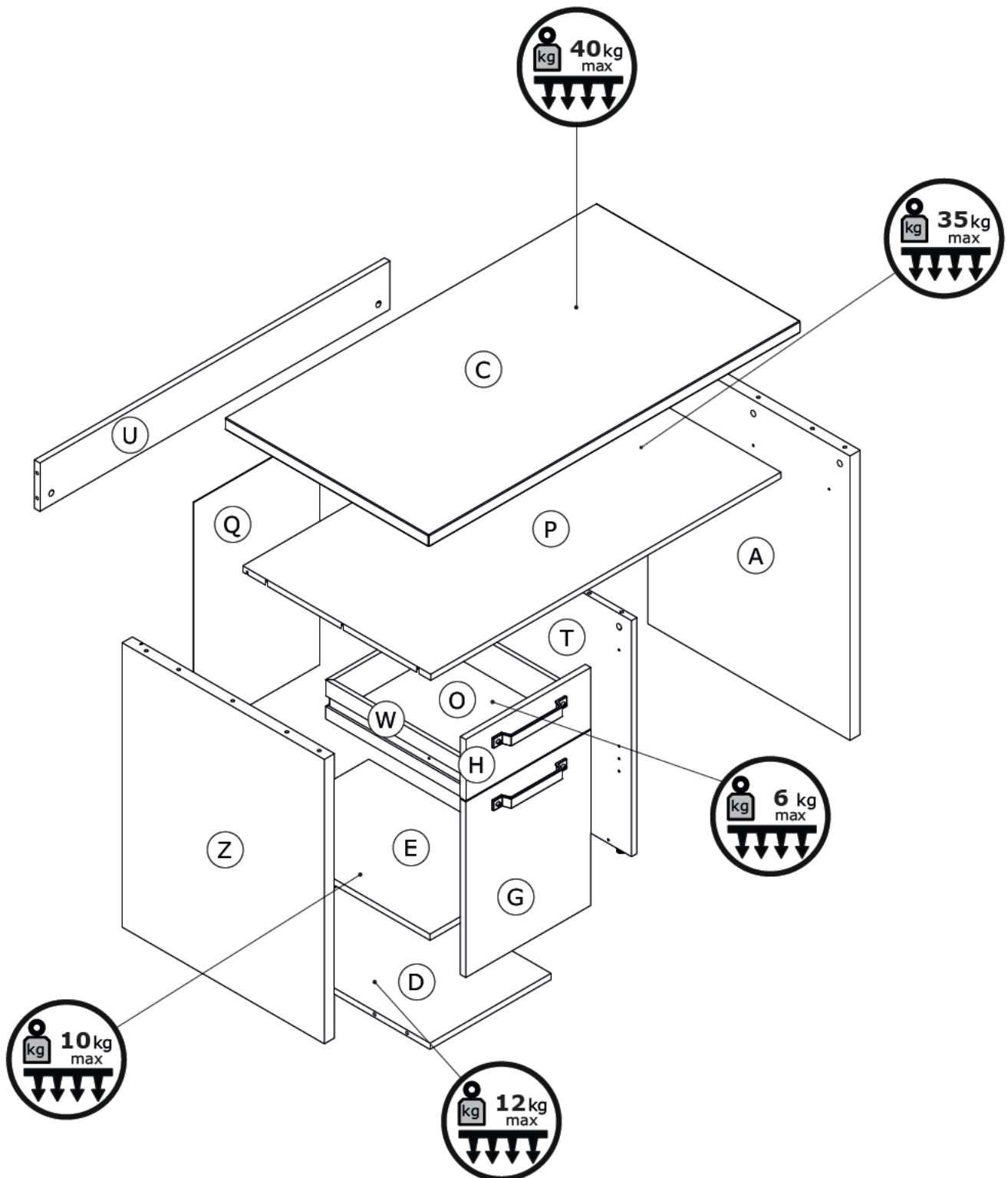
B9
x2

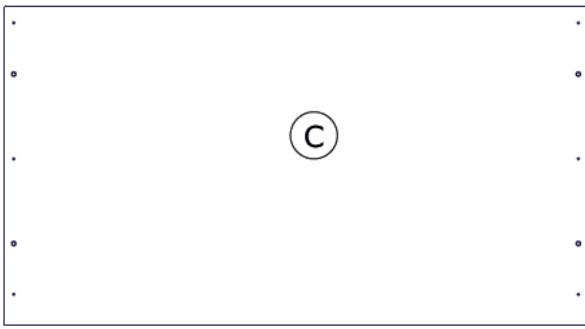


C39
x2



V5
x4





CA3747
1100x602x30mm



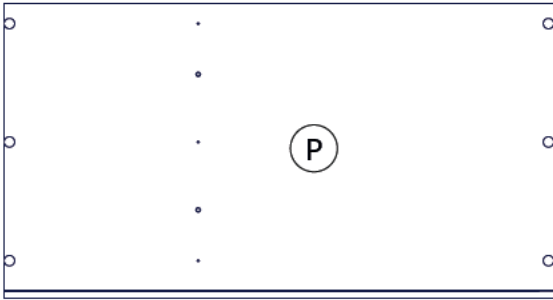
FS4260
1036x124x16



AN3024
450x370x16



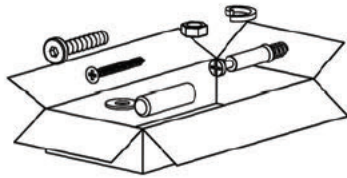
CS3770
370x157x16mm



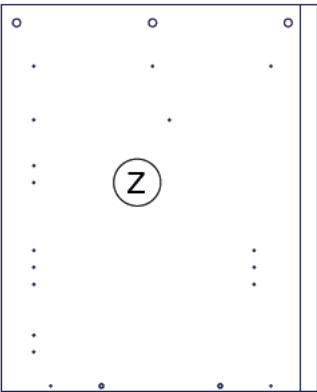
PI7328
1036x556x16mm



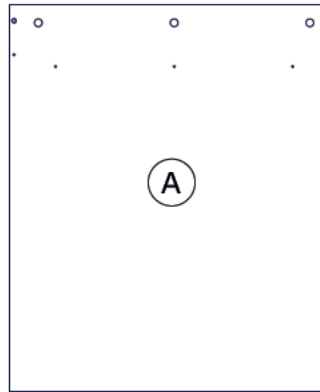
OF0656
400x350x400mm H.100mm



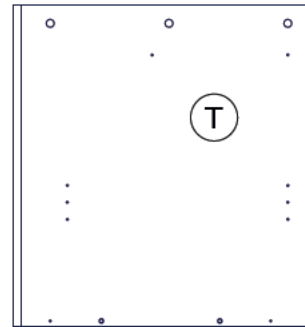
BOX 1/2



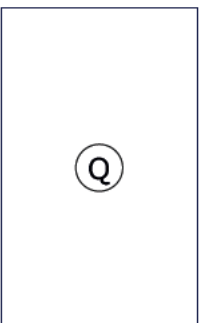
FI8998
729x598x30mm



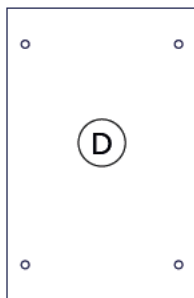
FI8999
729x598x30mm



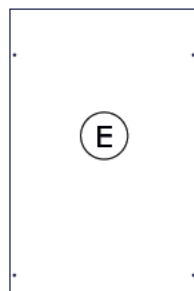
TR2359
605x555x16mm



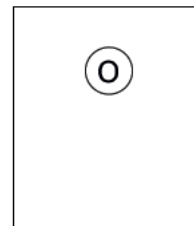
SH3529
602x372x2mm



BA2284
358x554x16mm



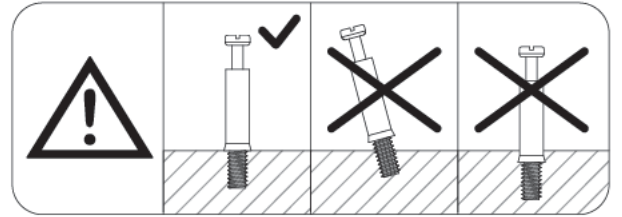
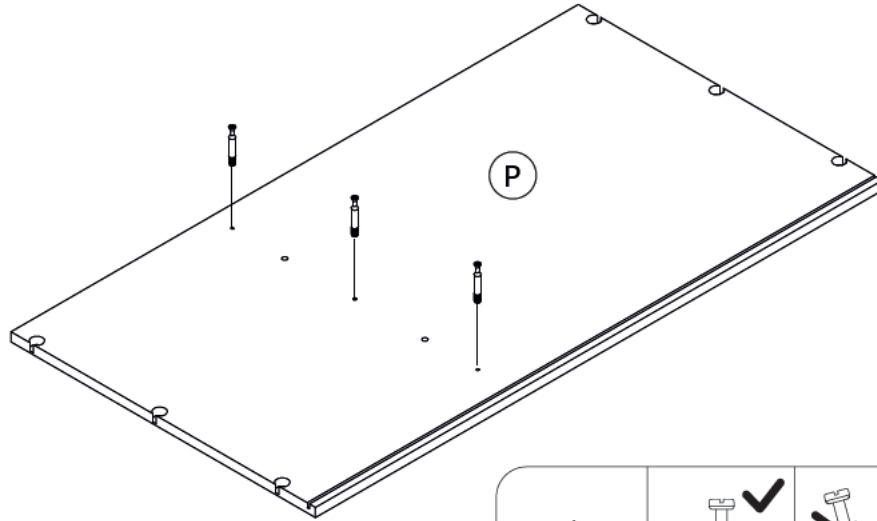
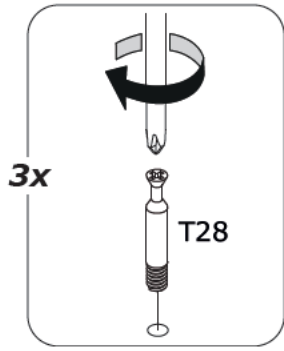
PI7327
358x539x16mm



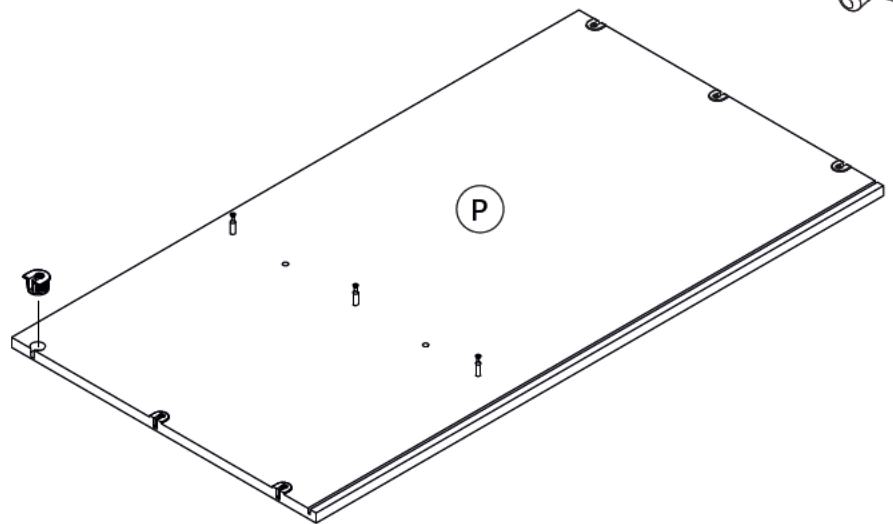
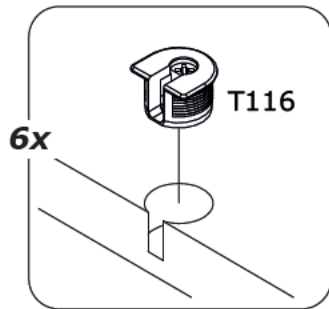
SH3528
401x337x2mm

BOX 2/2

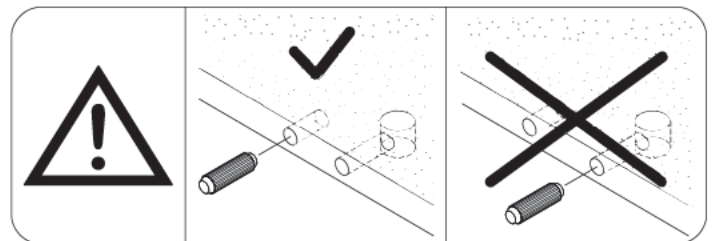
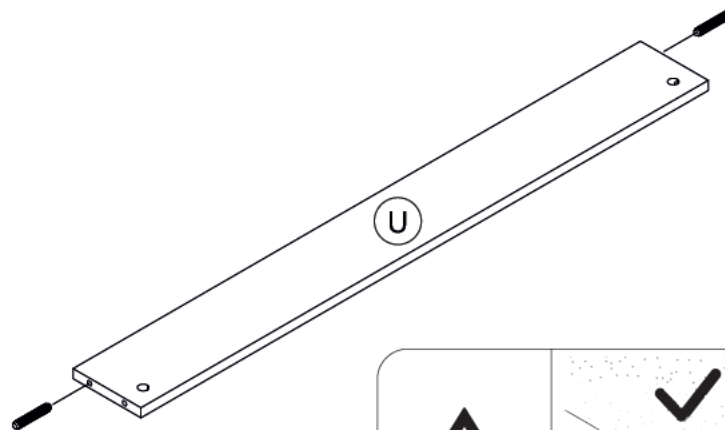
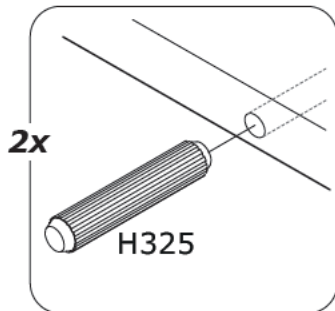
1



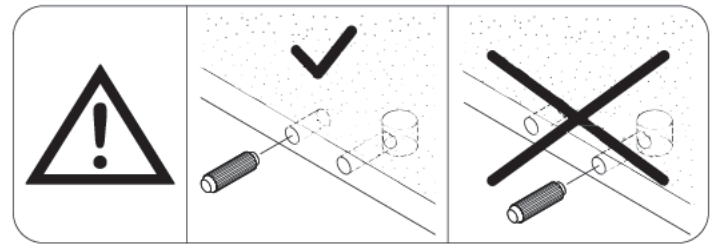
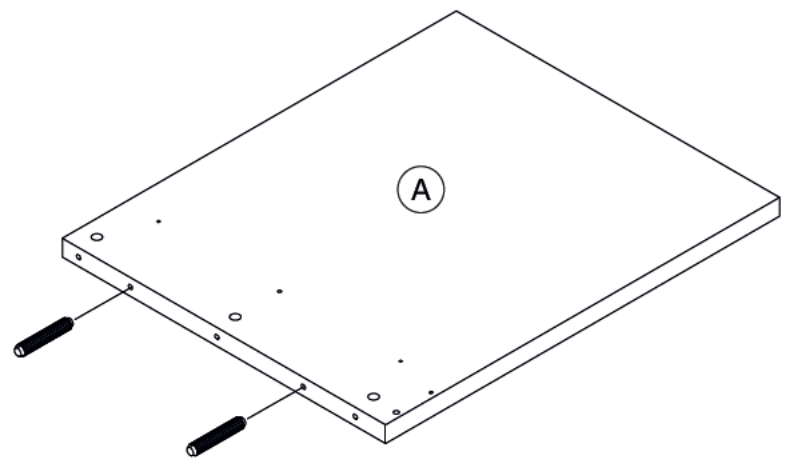
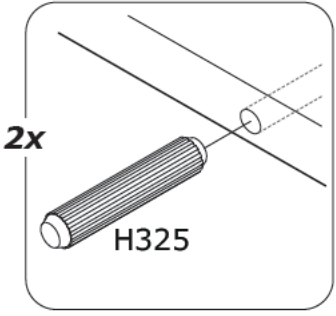
2



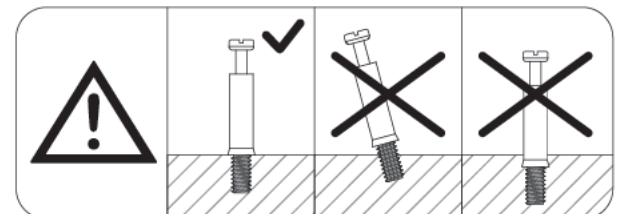
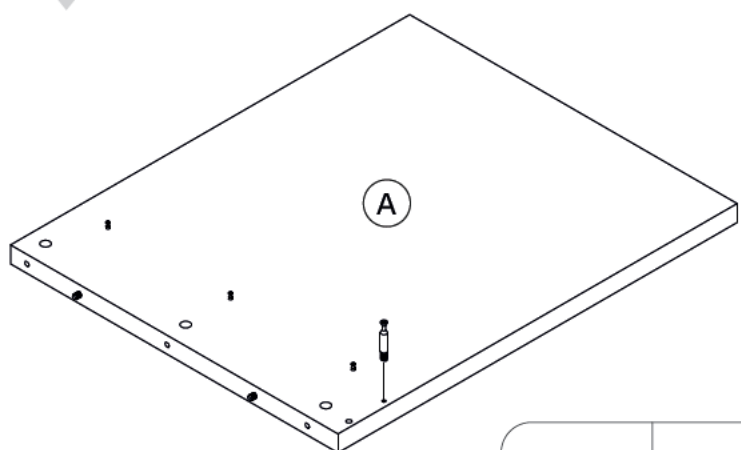
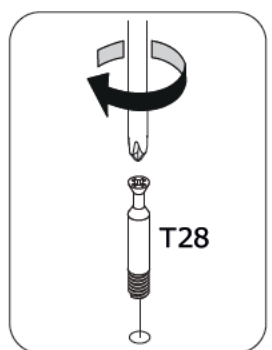
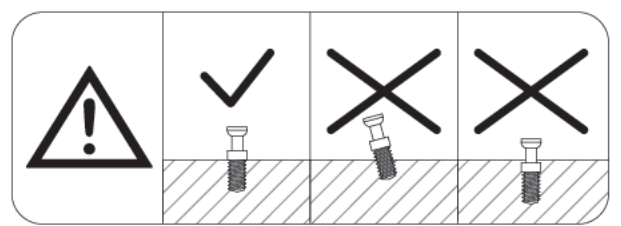
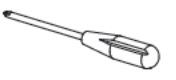
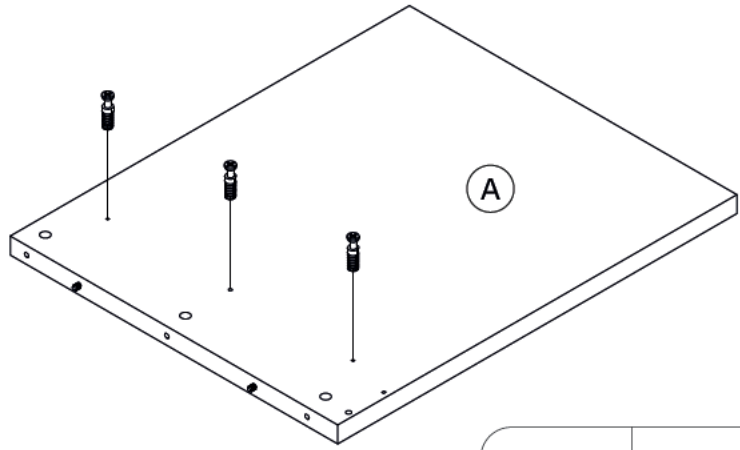
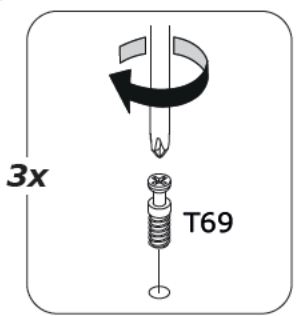
3



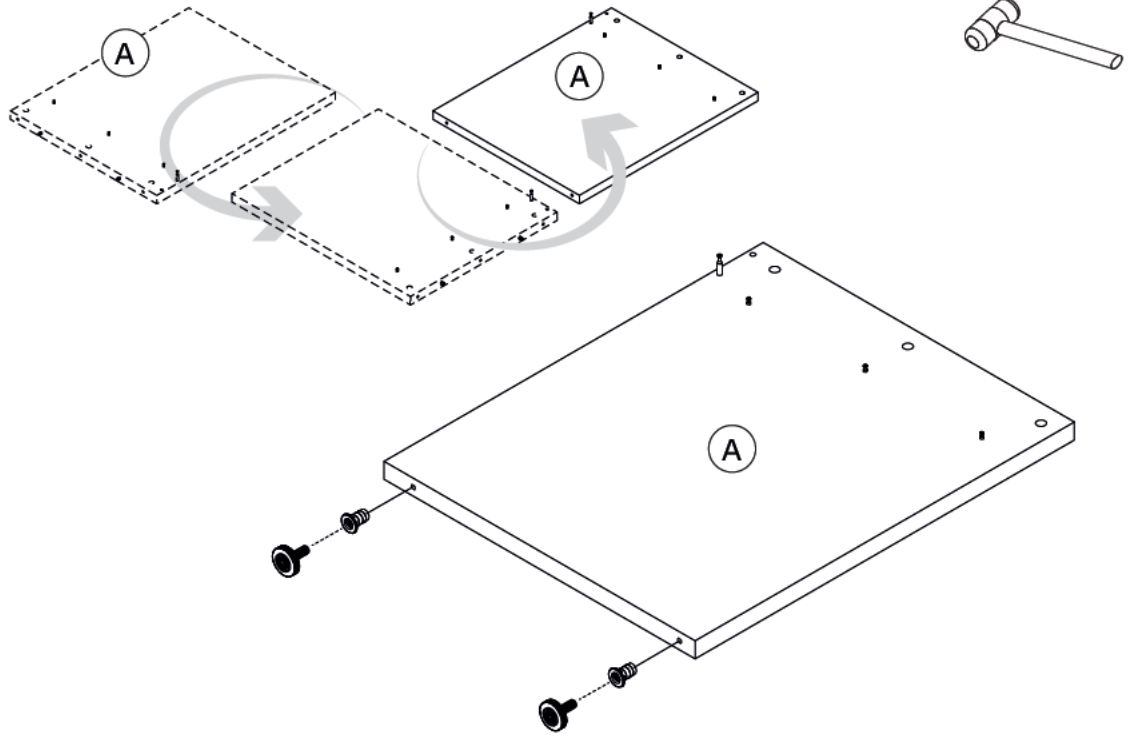
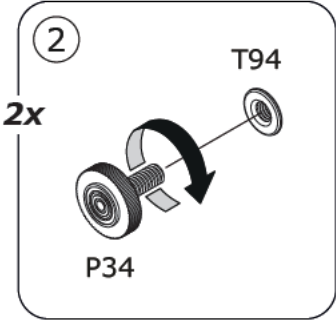
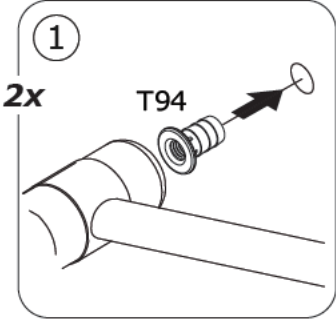
4



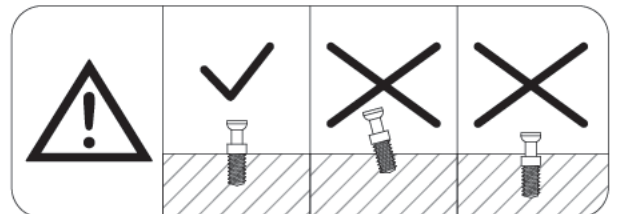
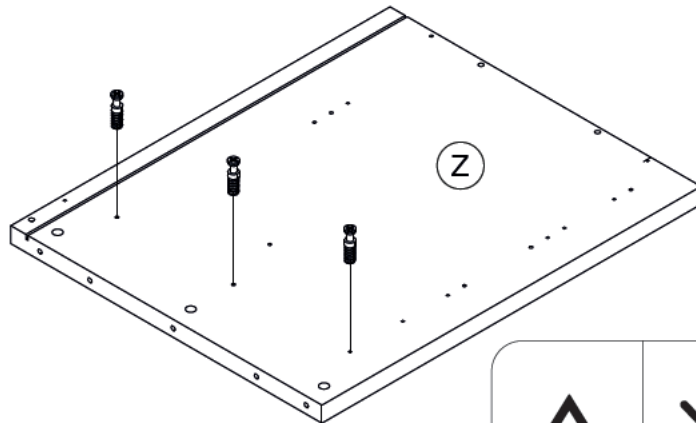
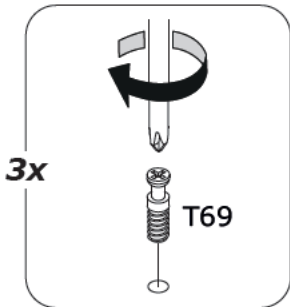
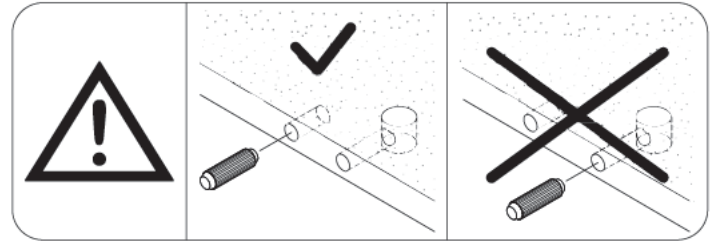
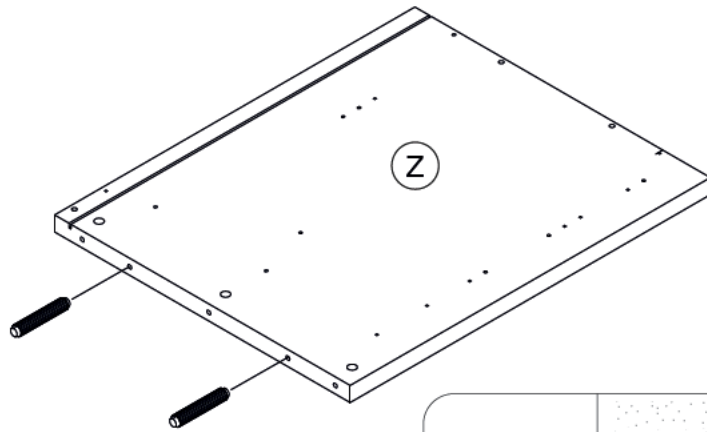
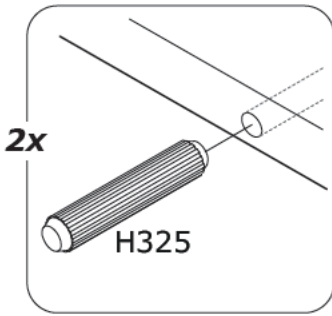
5



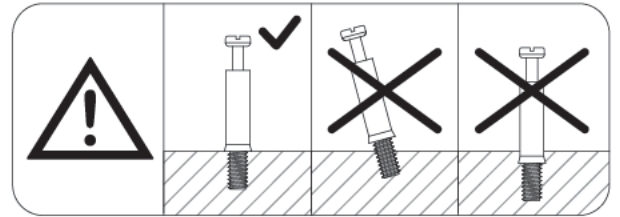
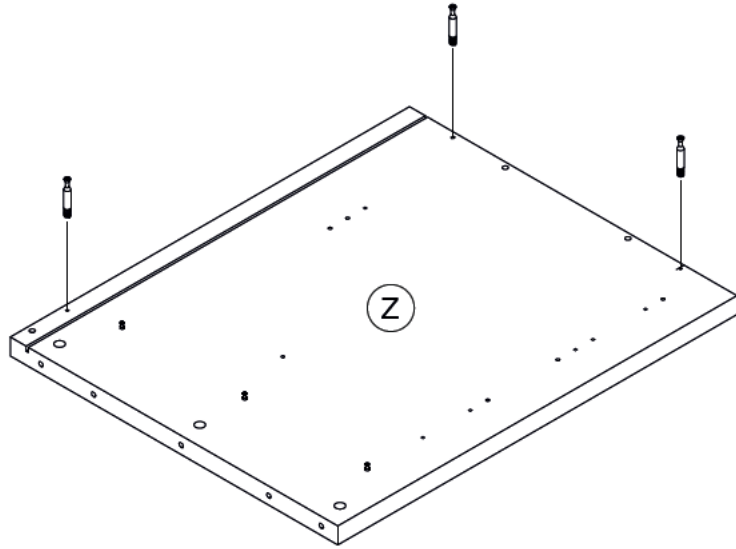
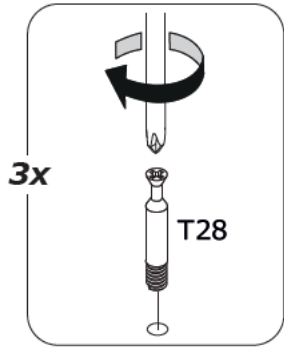
6



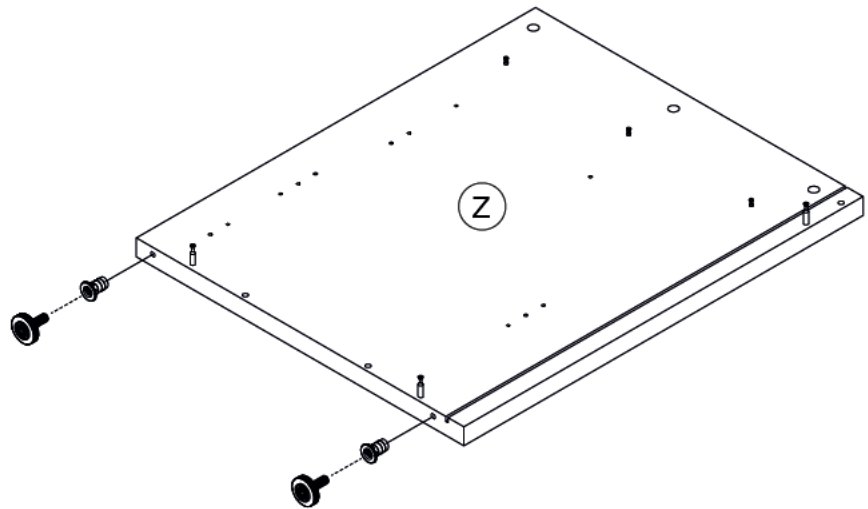
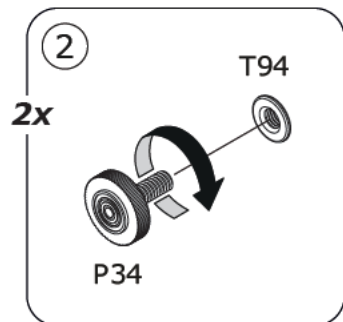
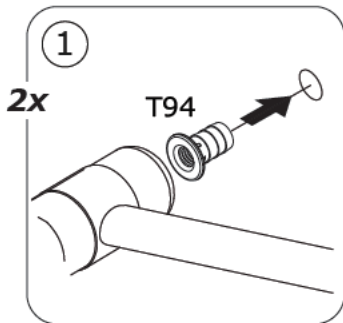
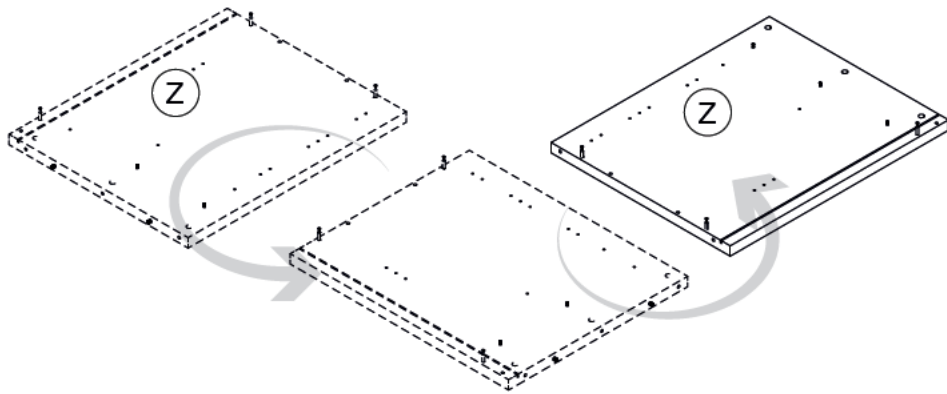
7



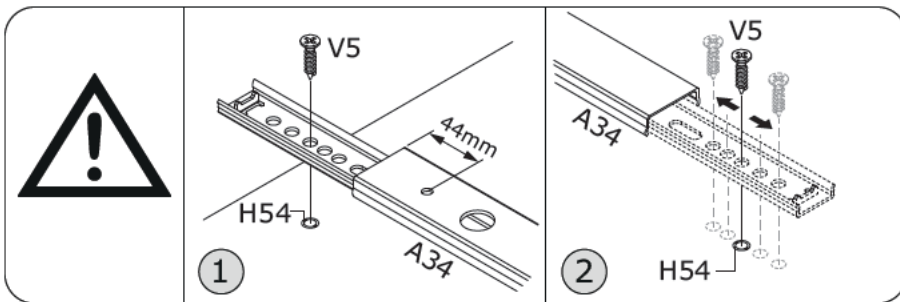
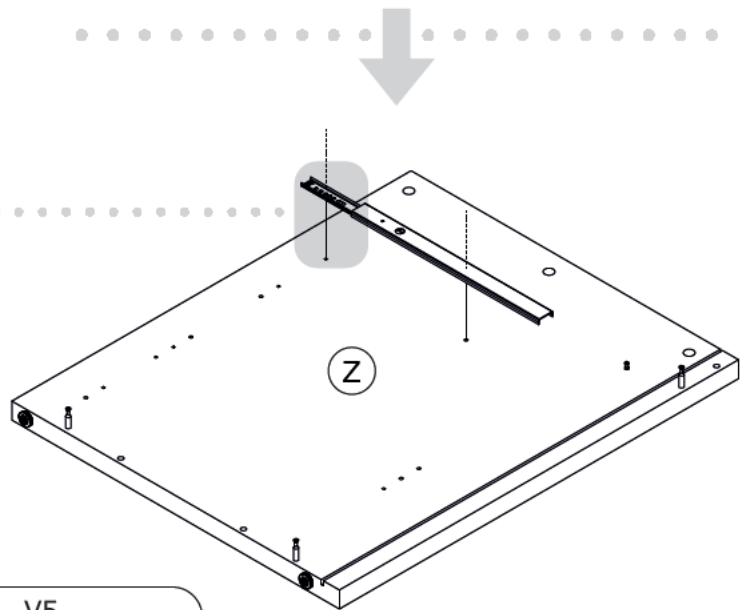
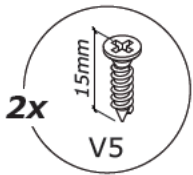
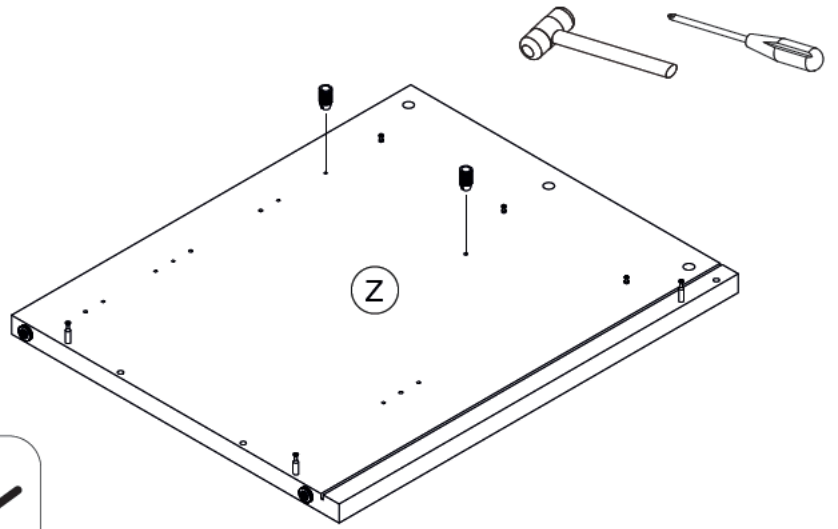
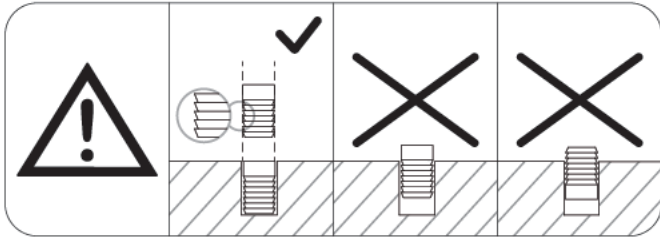
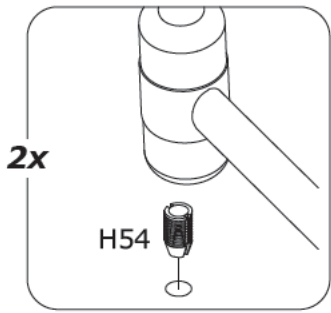
8



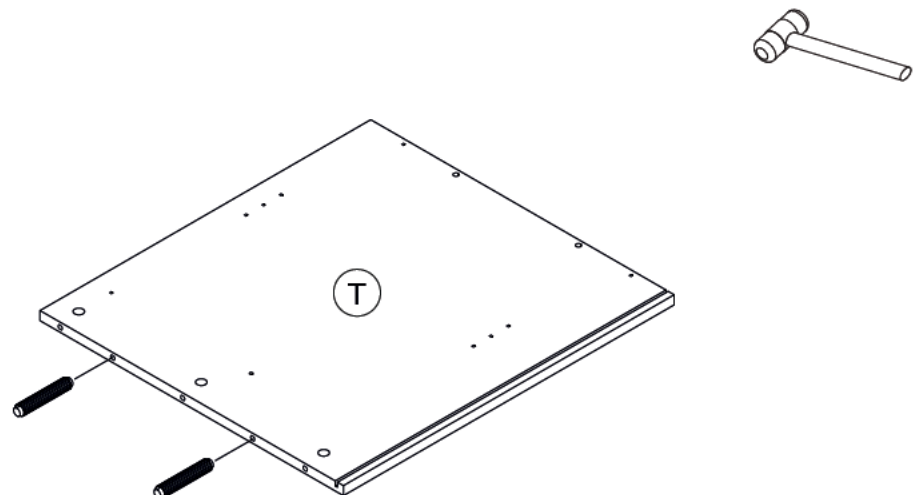
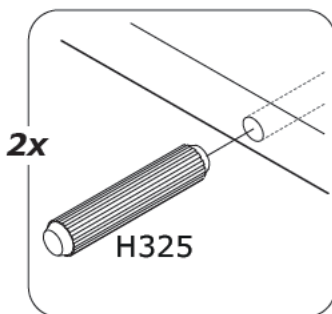
9



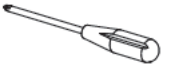
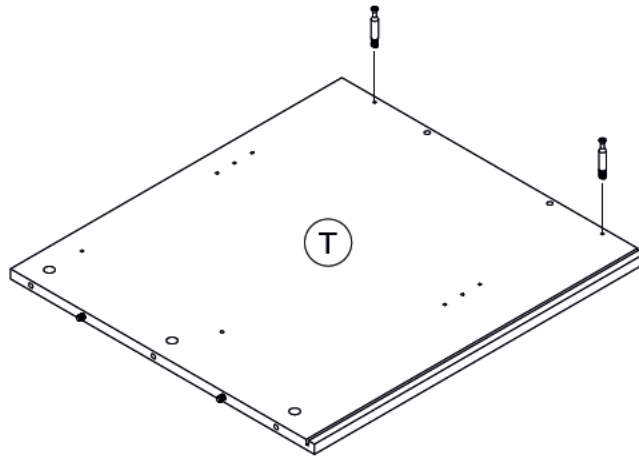
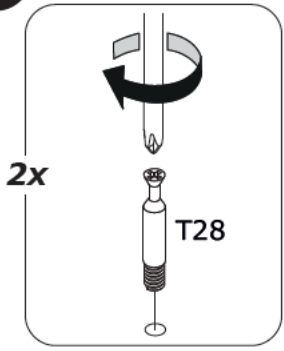
10



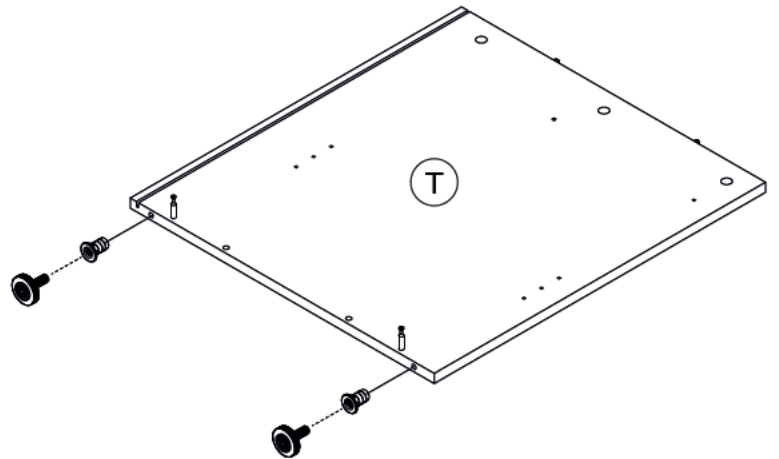
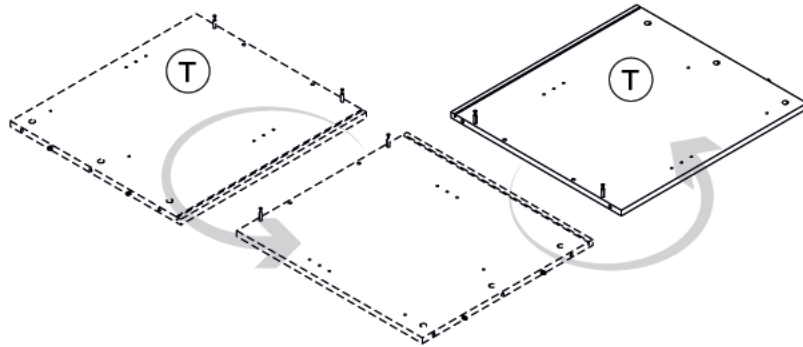
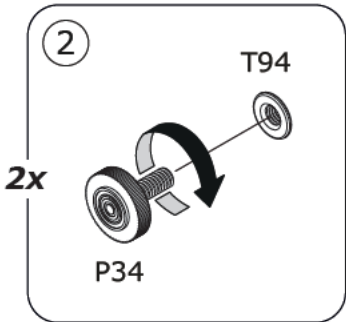
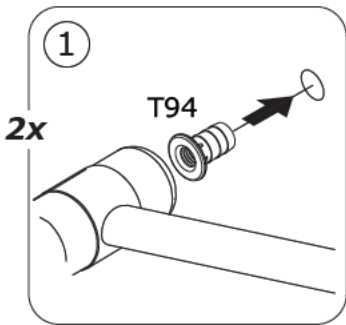
11



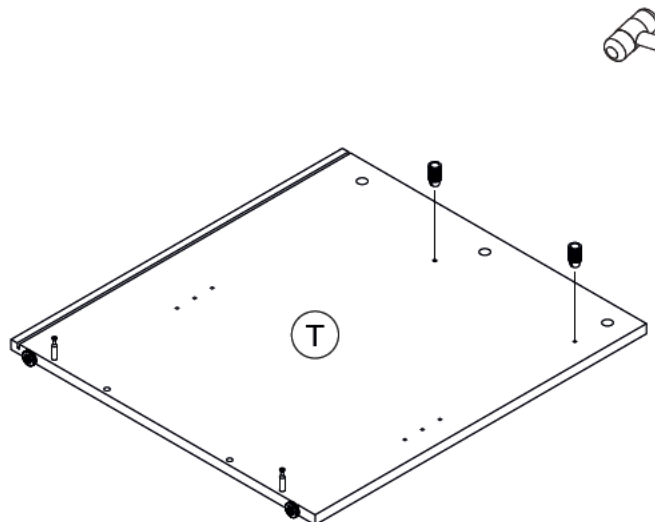
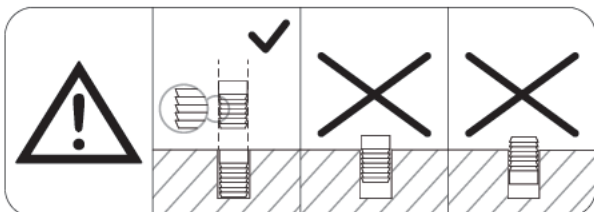
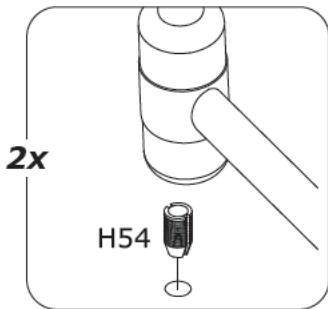
12



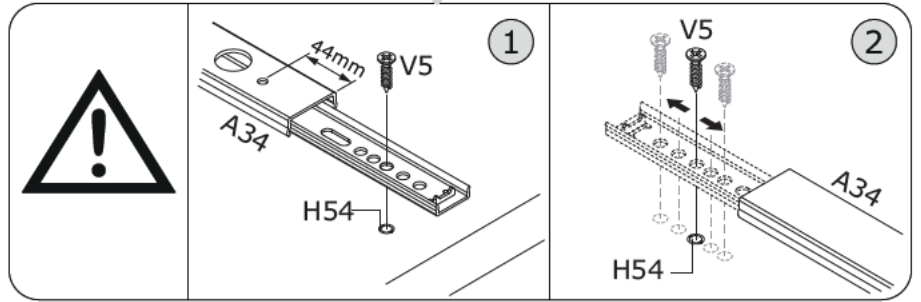
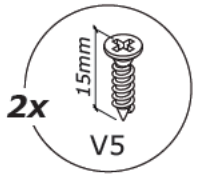
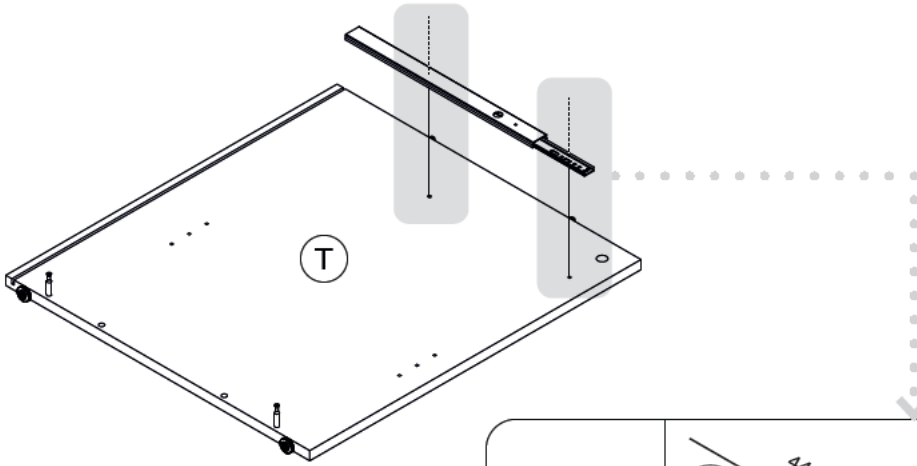
13



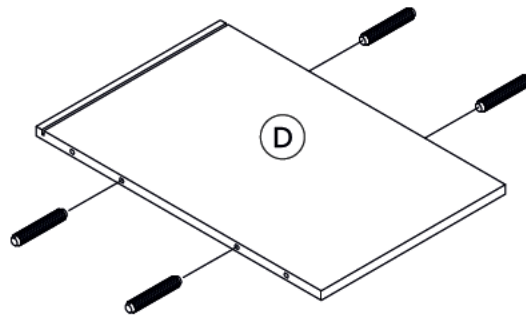
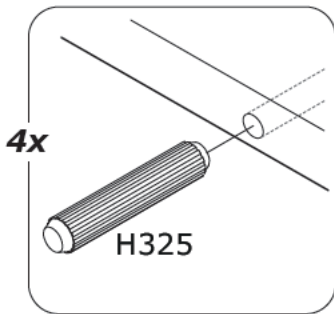
13



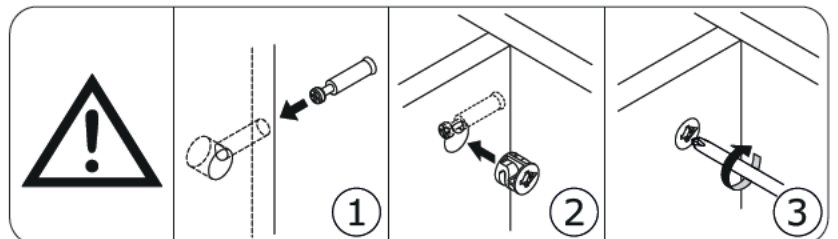
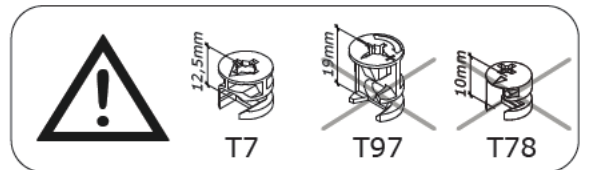
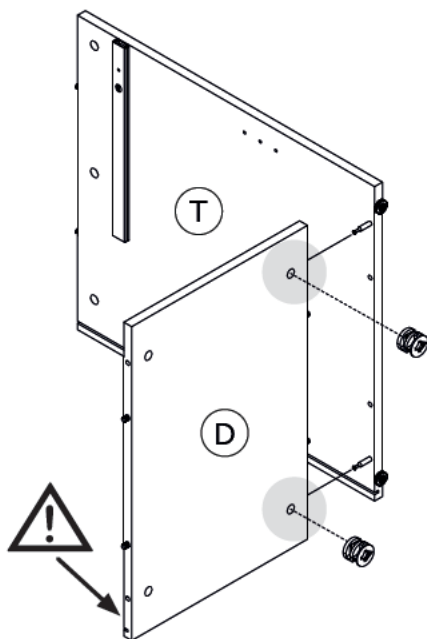
14



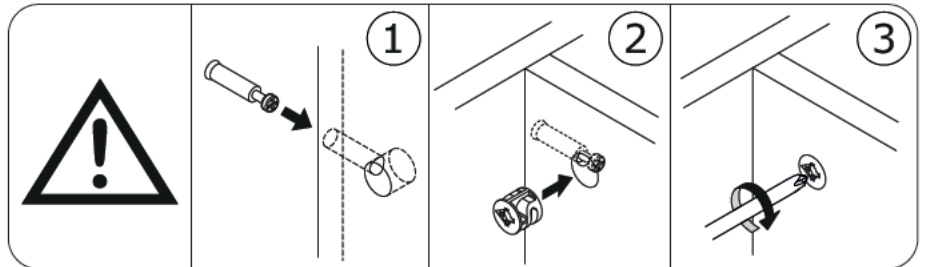
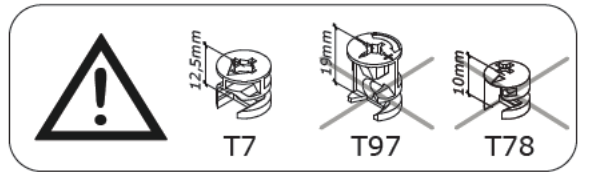
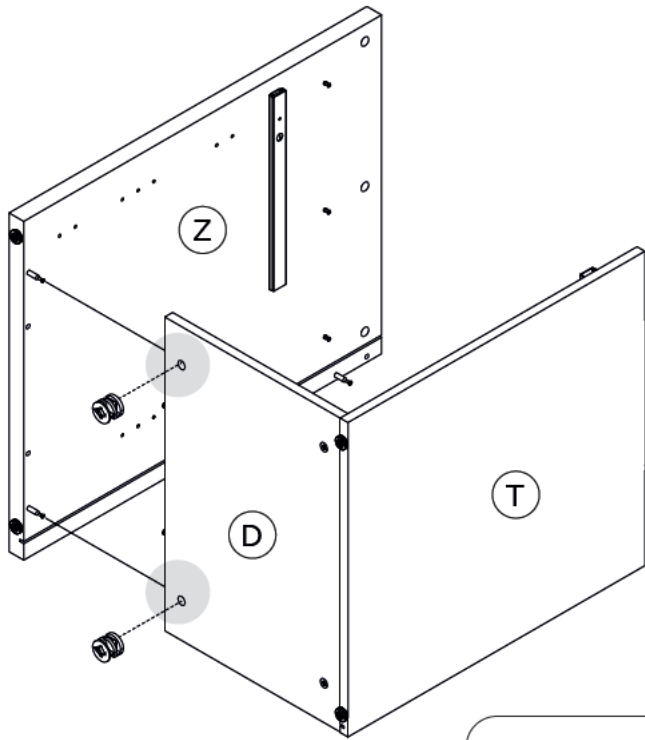
15



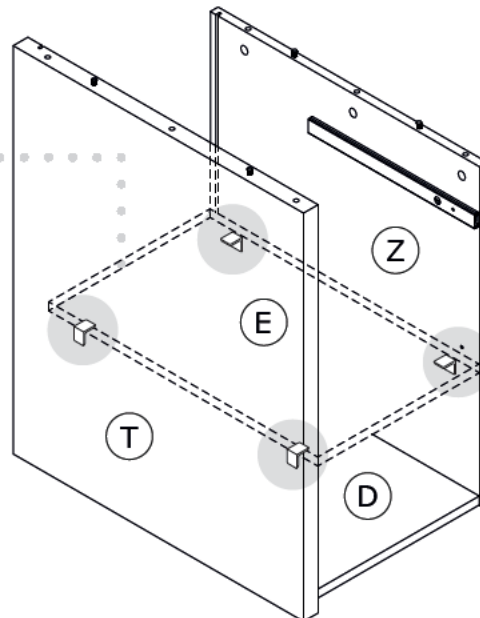
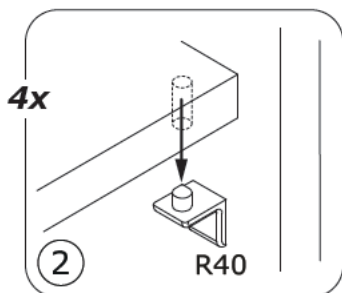
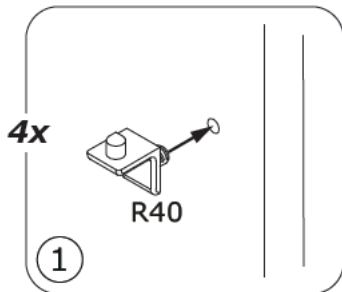
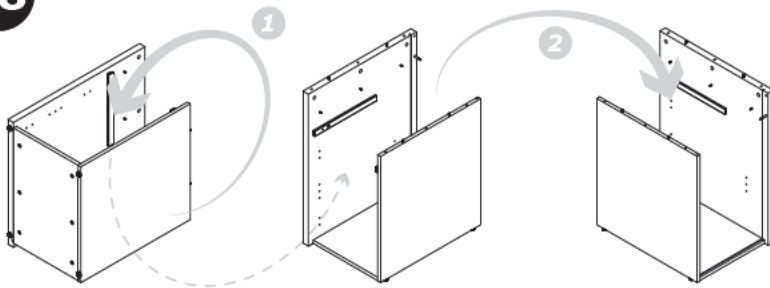
16



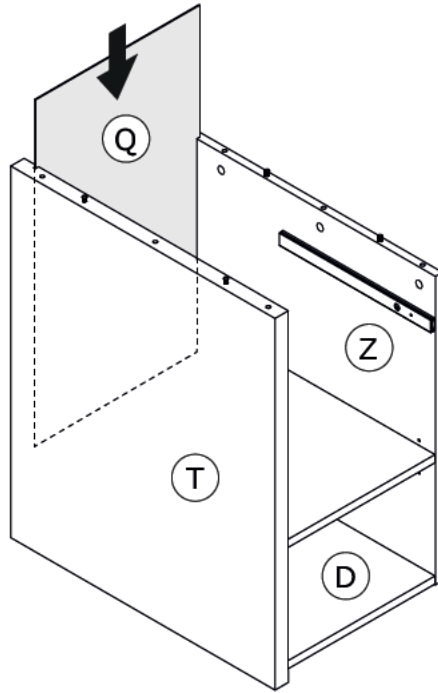
17



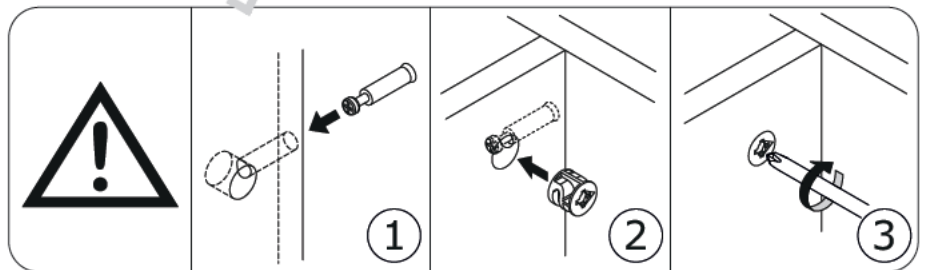
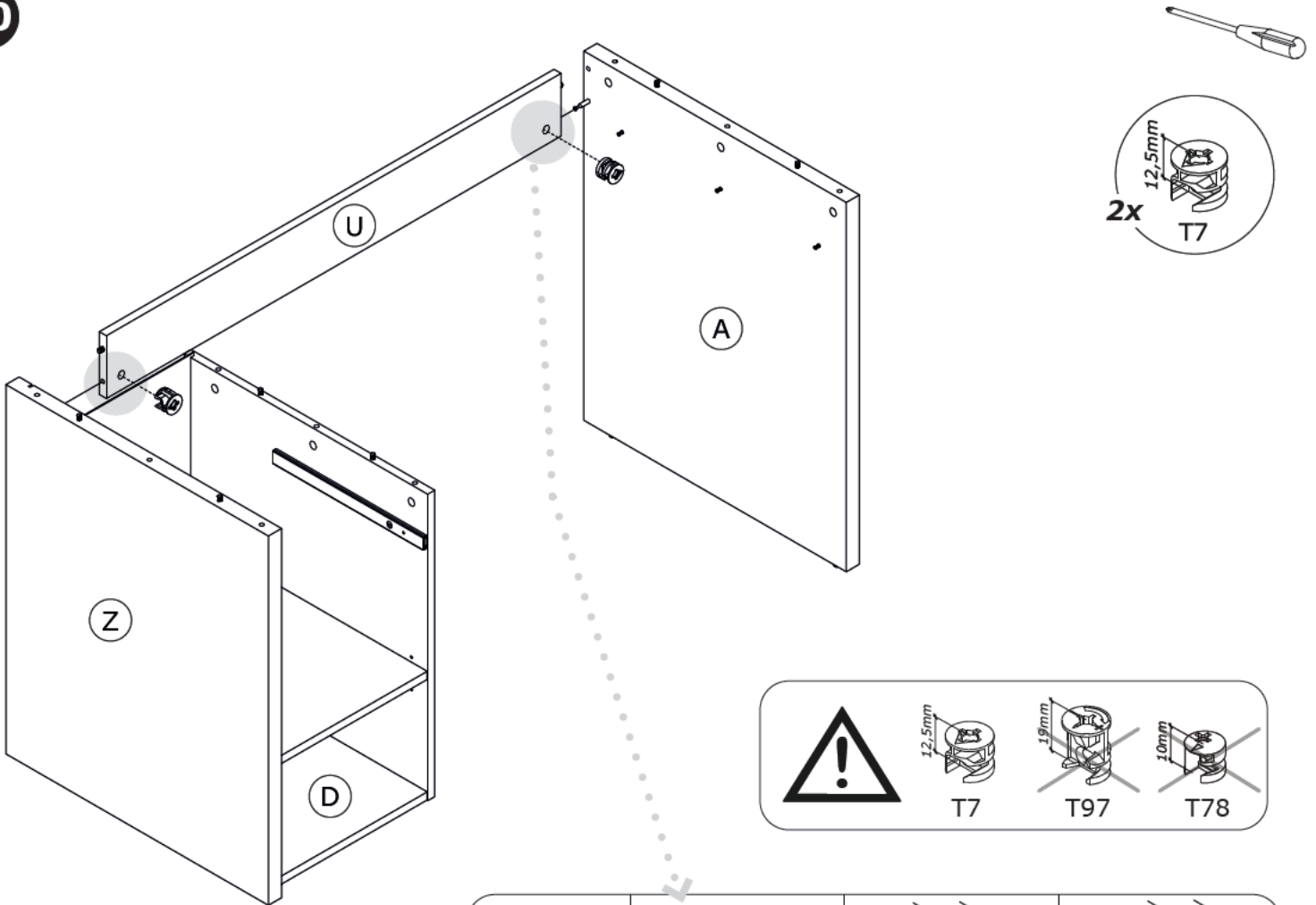
18



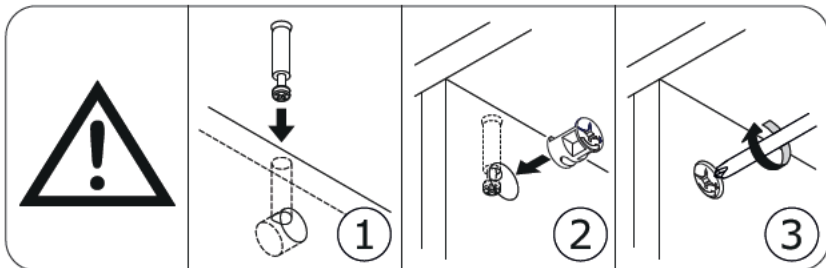
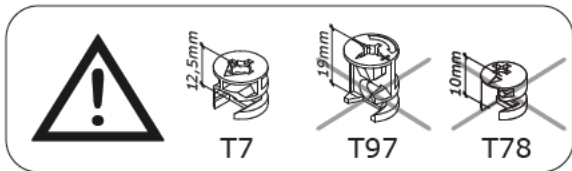
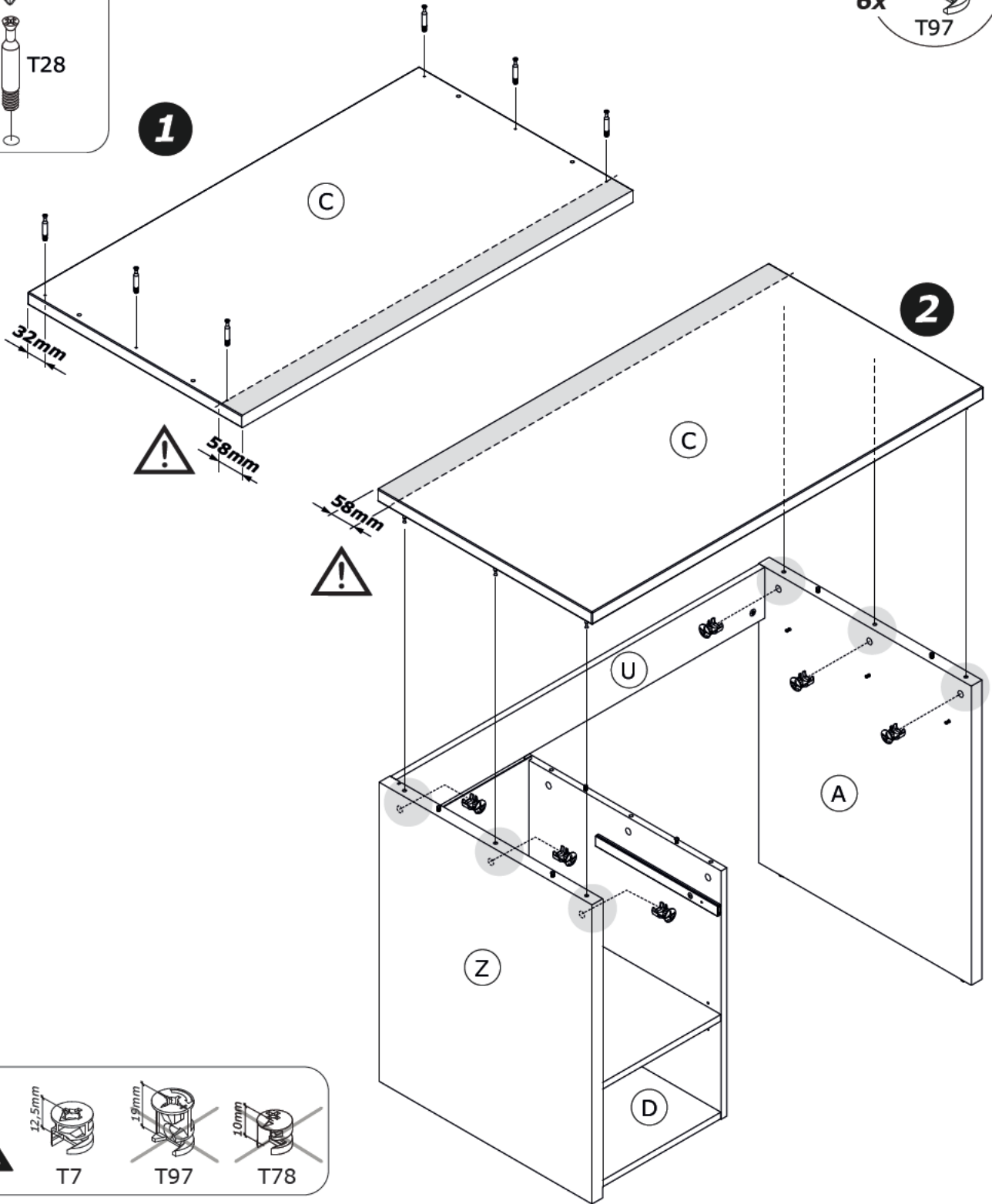
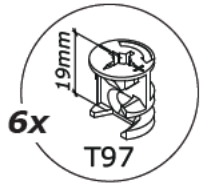
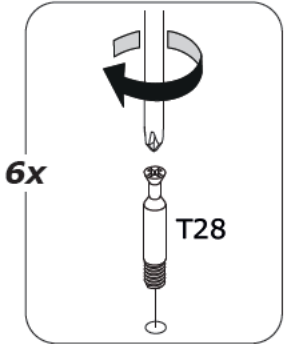
19

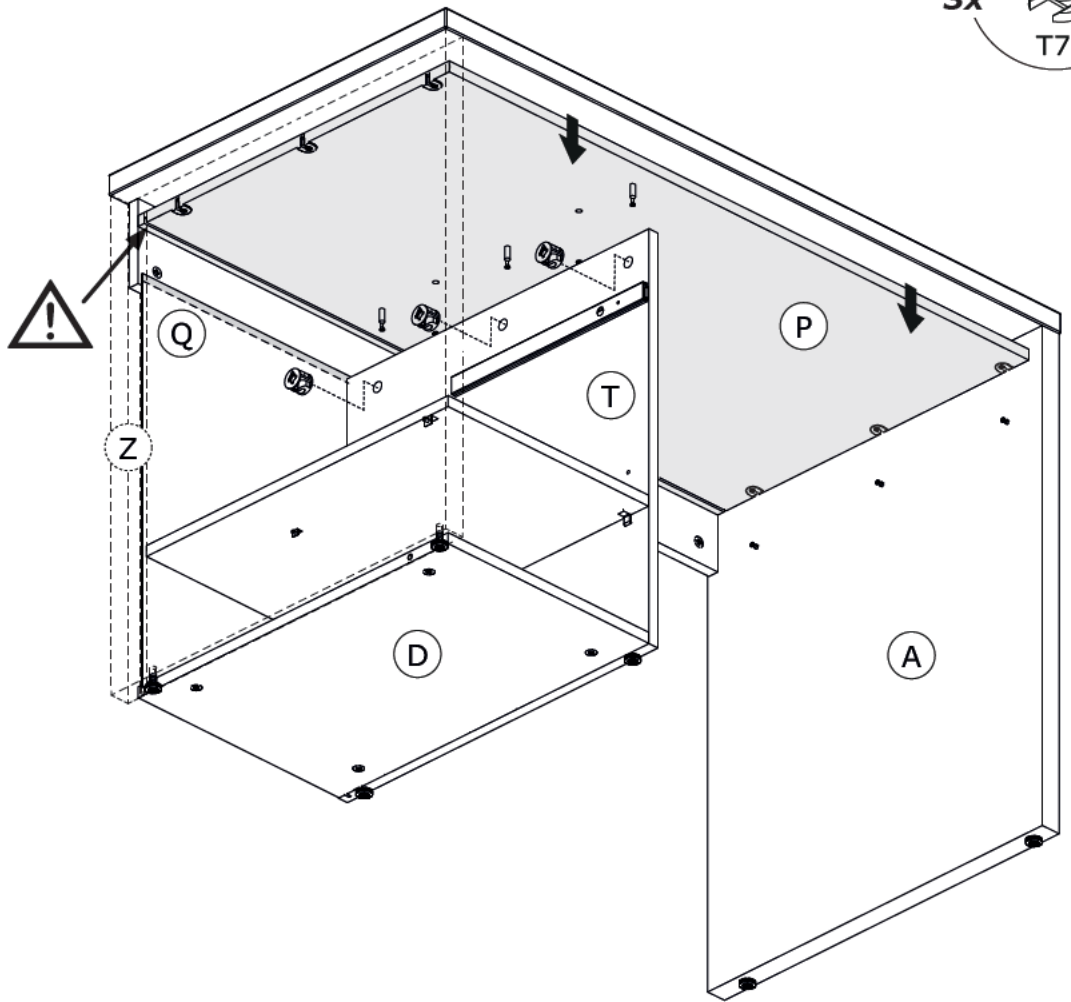
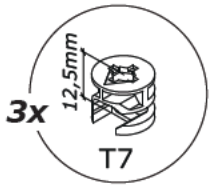
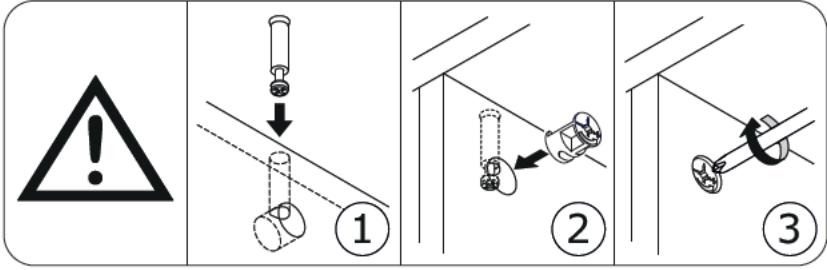
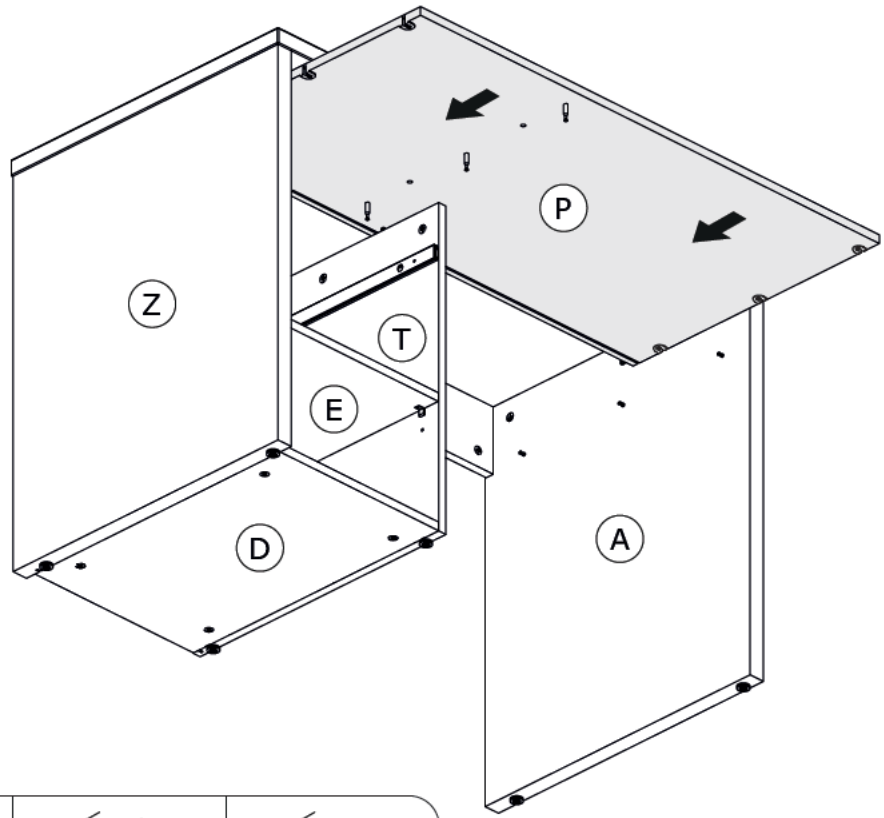


20

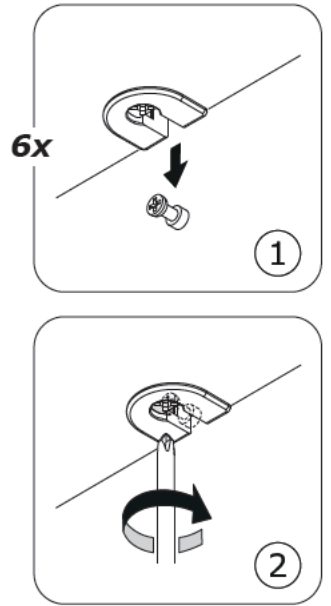
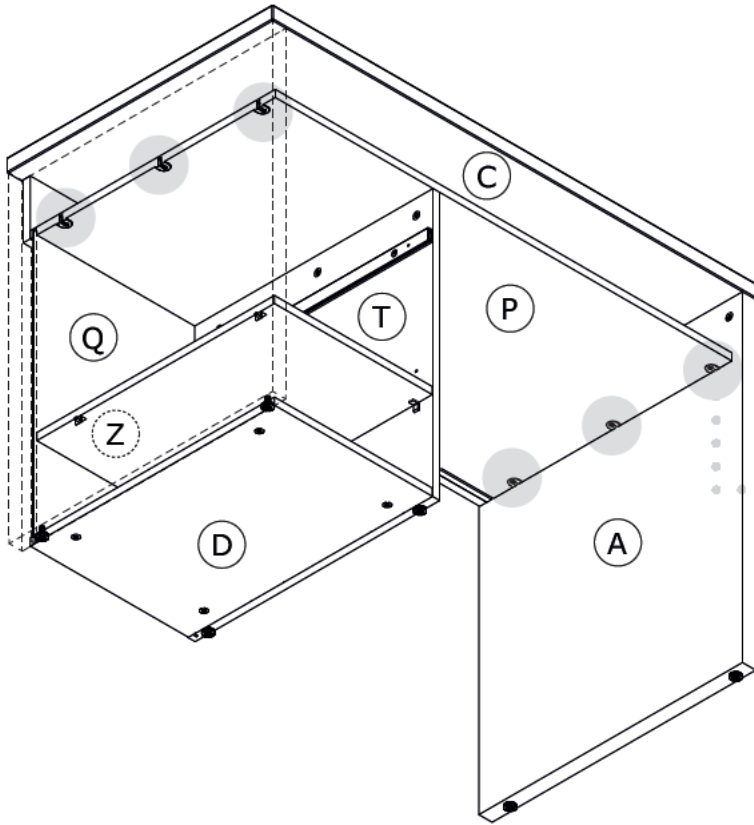


21

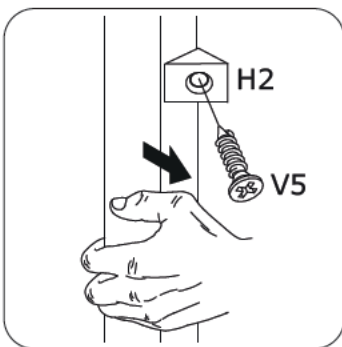
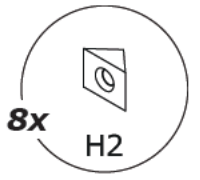
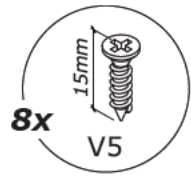
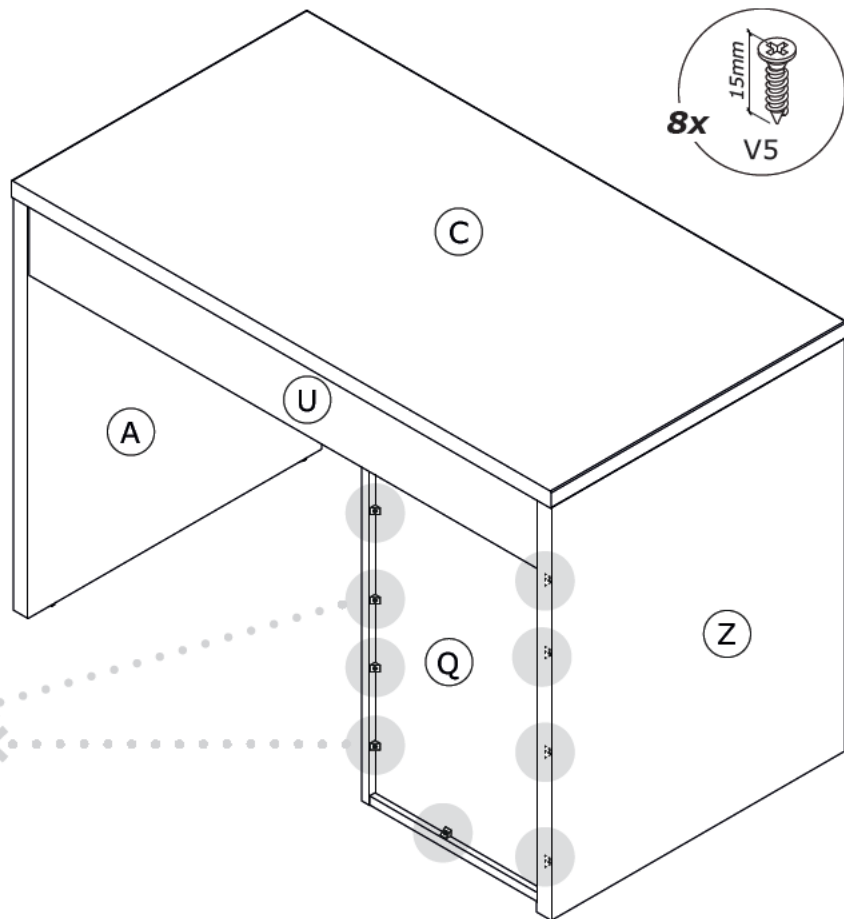




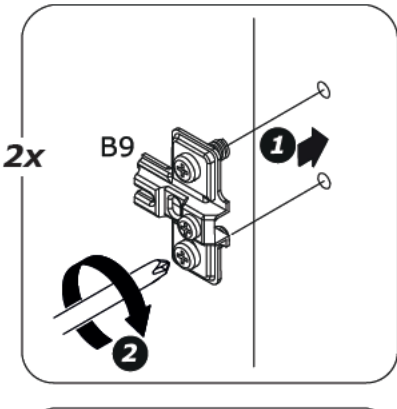
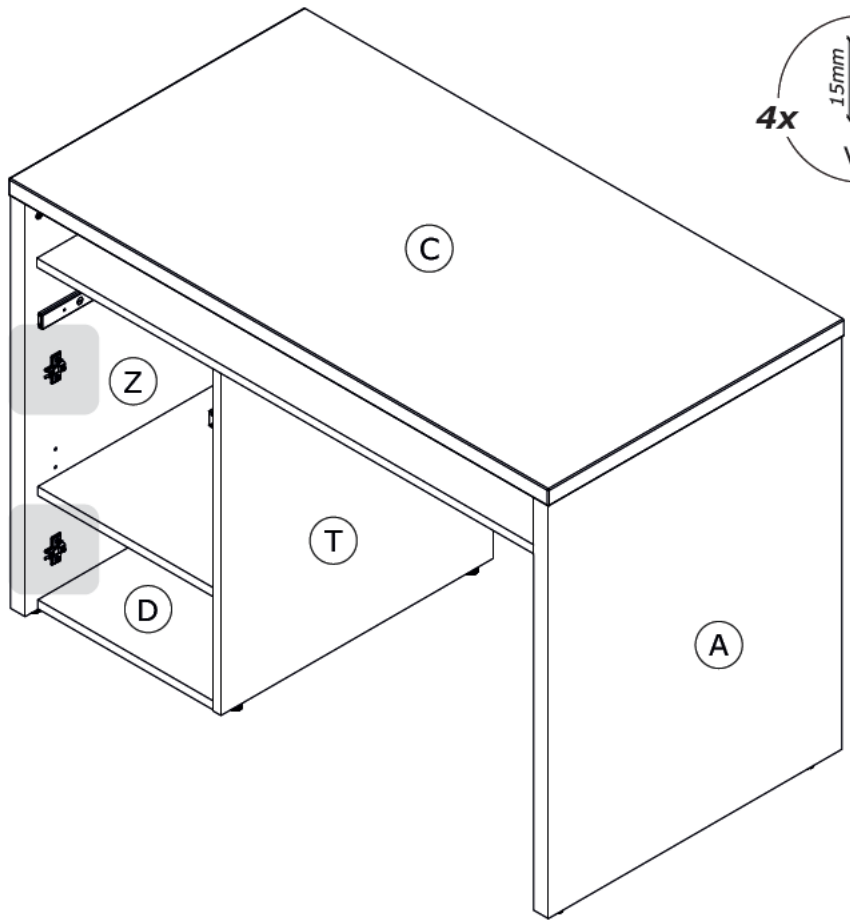
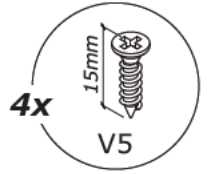
23



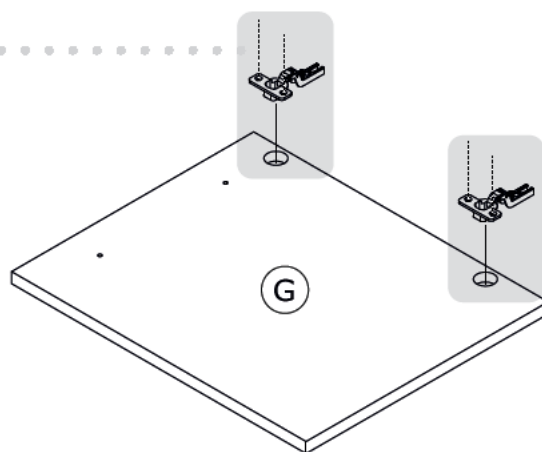
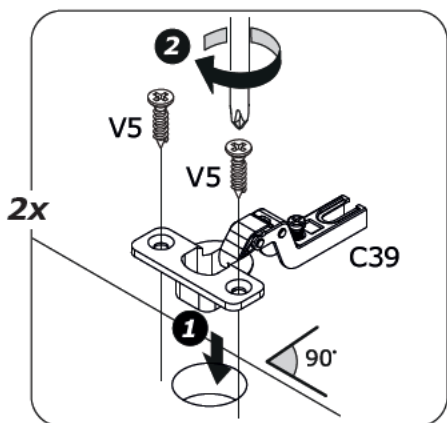
24



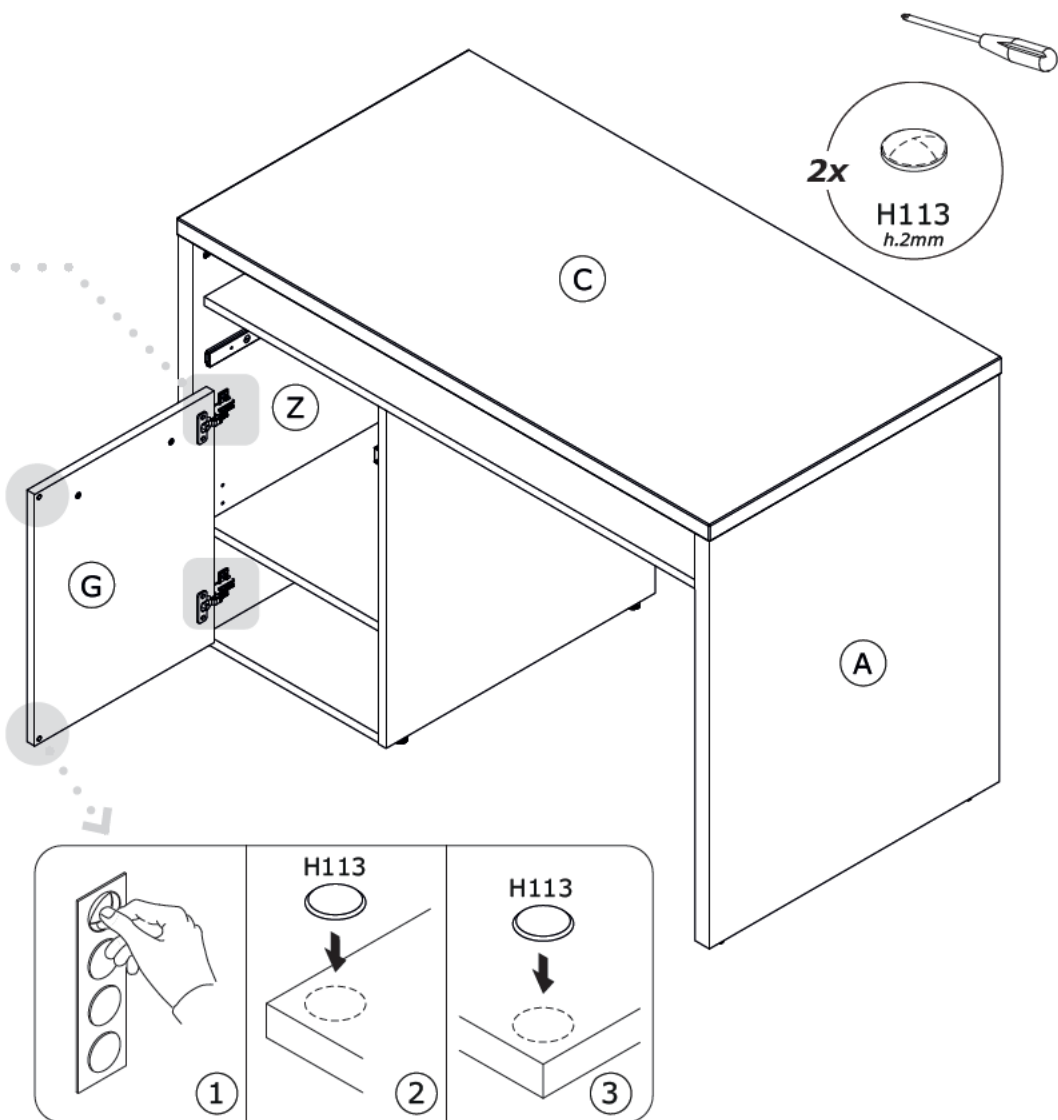
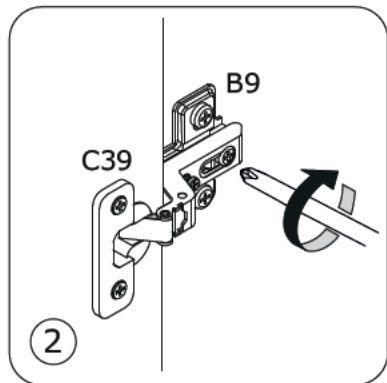
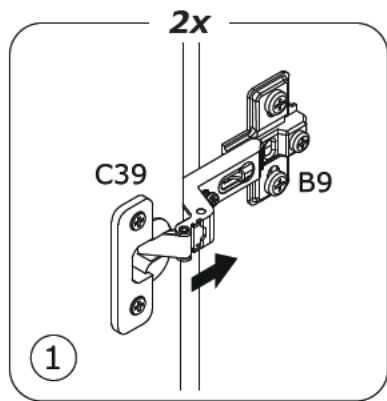
25



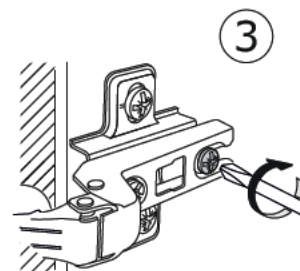
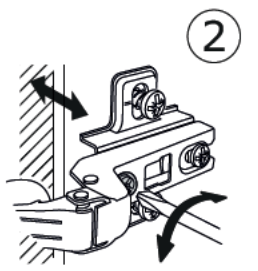
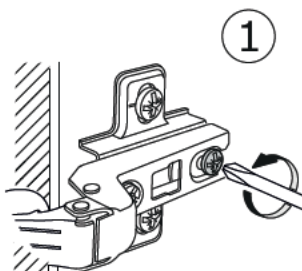
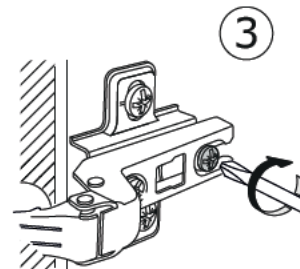
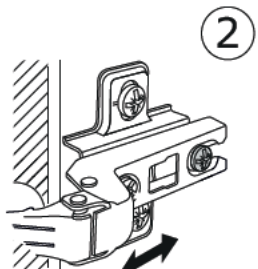
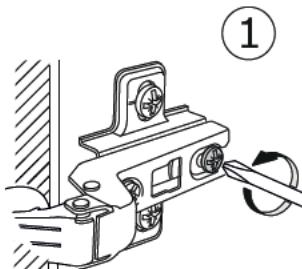
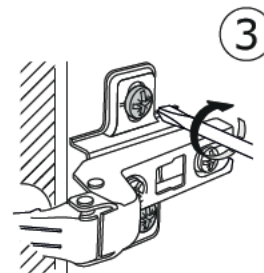
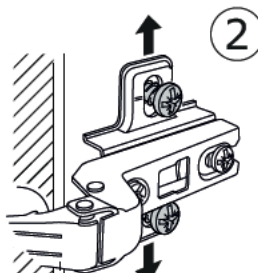
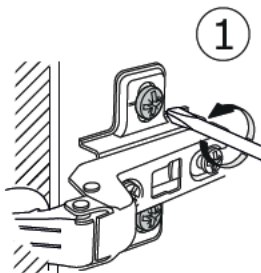
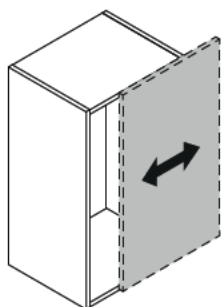
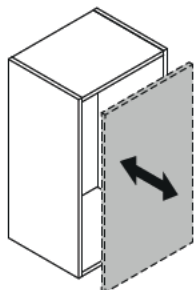
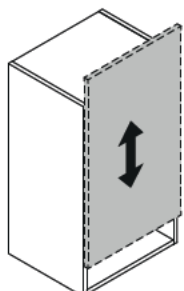
26



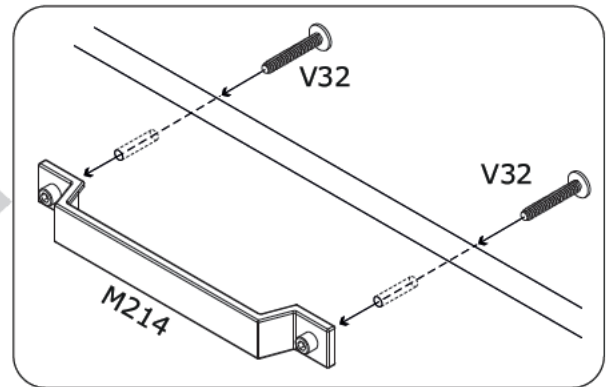
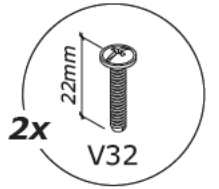
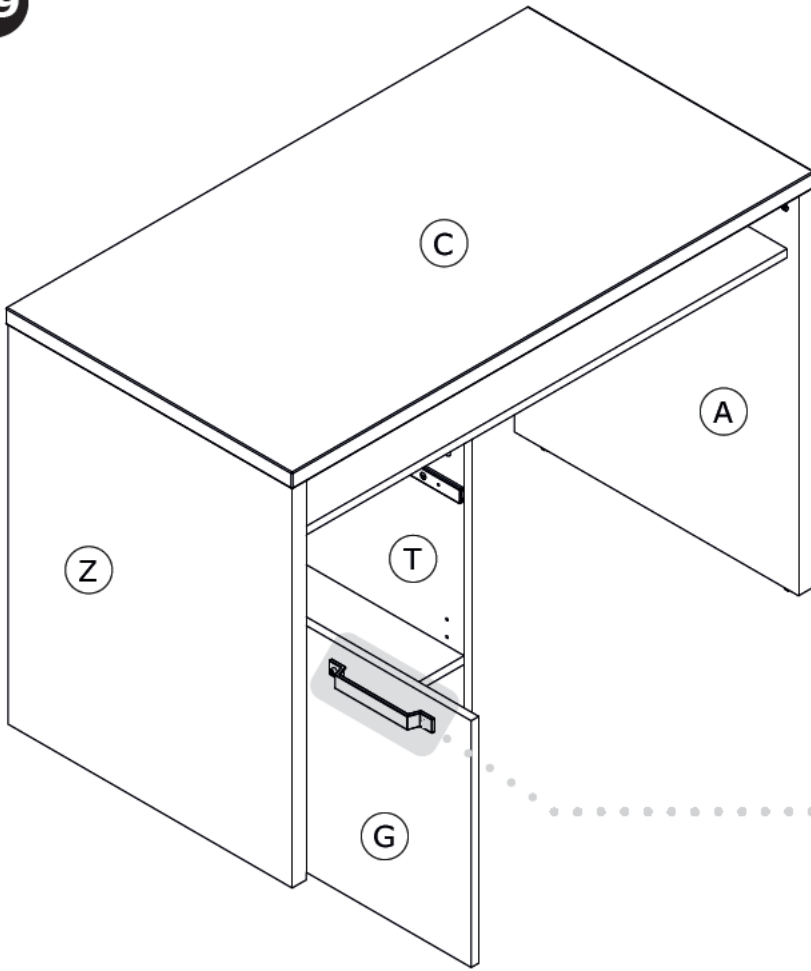
27



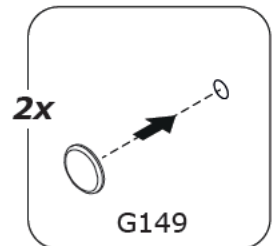
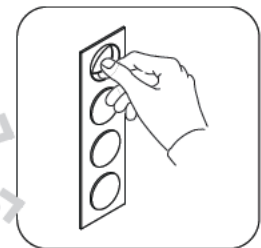
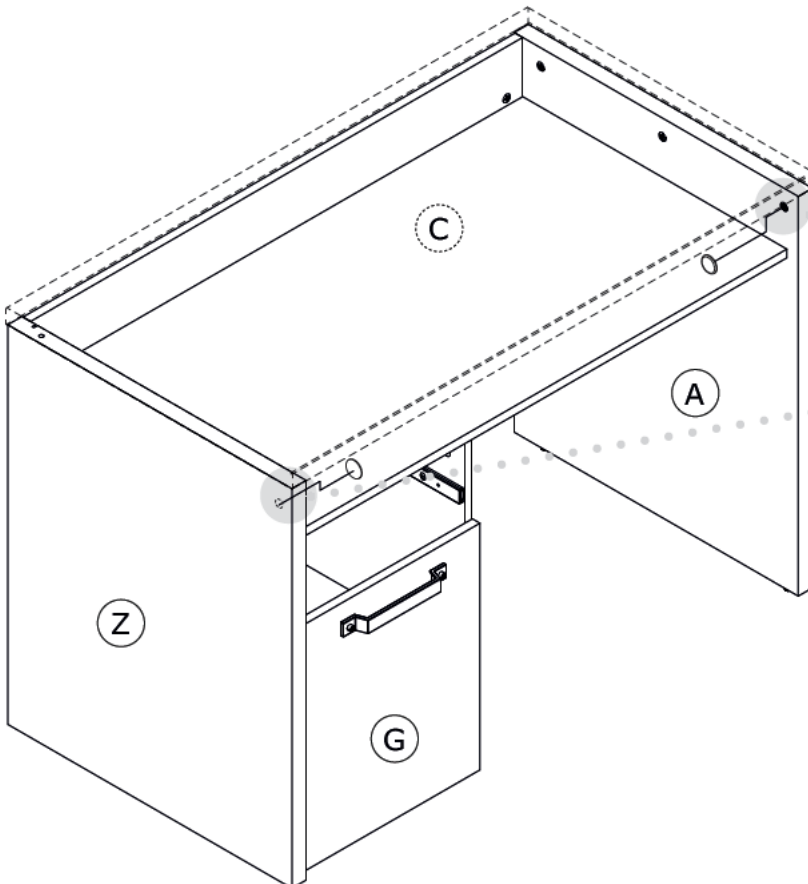
28



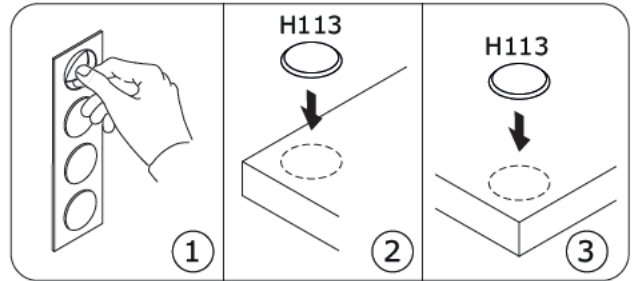
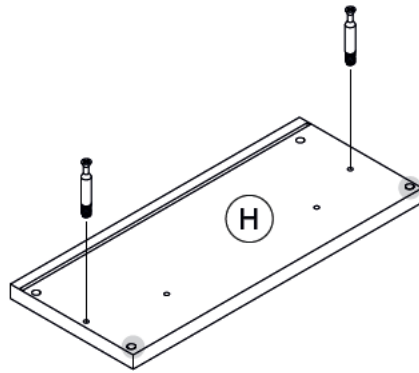
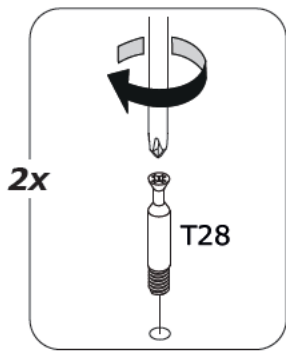
29



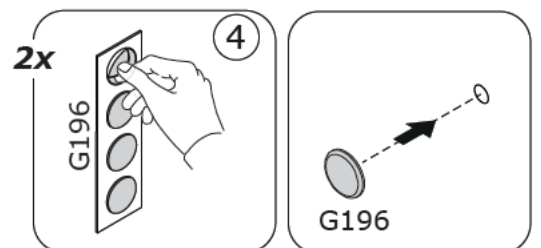
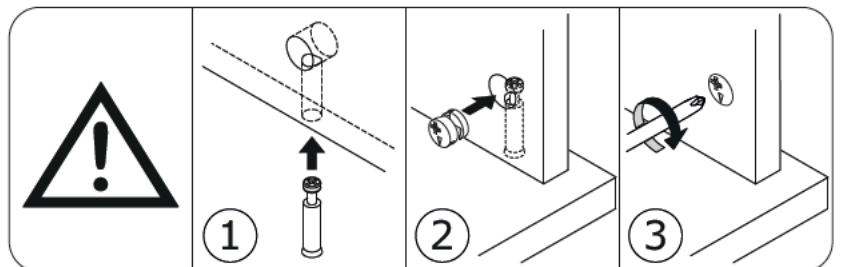
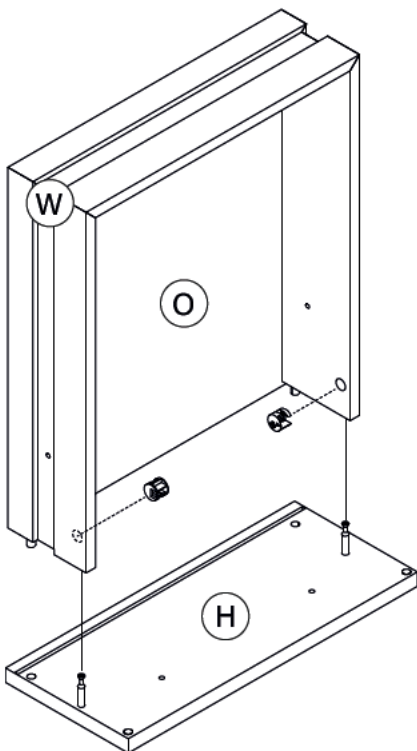
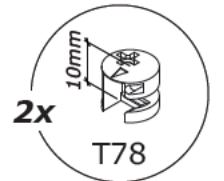
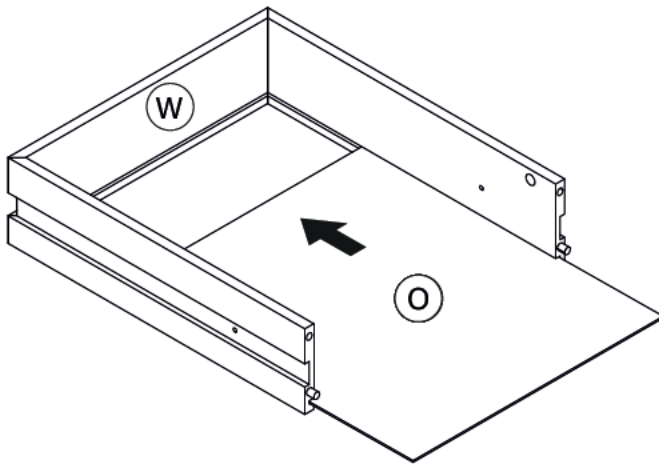
30



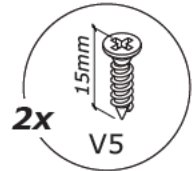
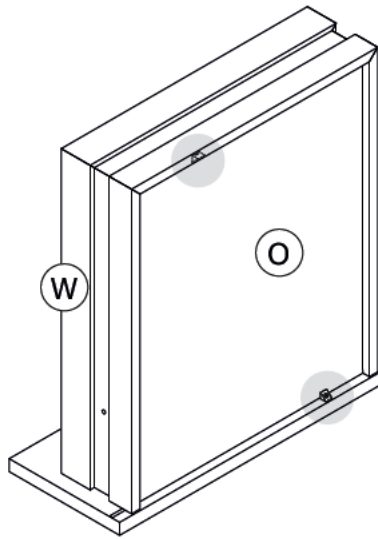
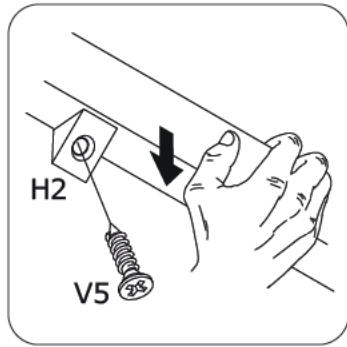
31



32



33



34

