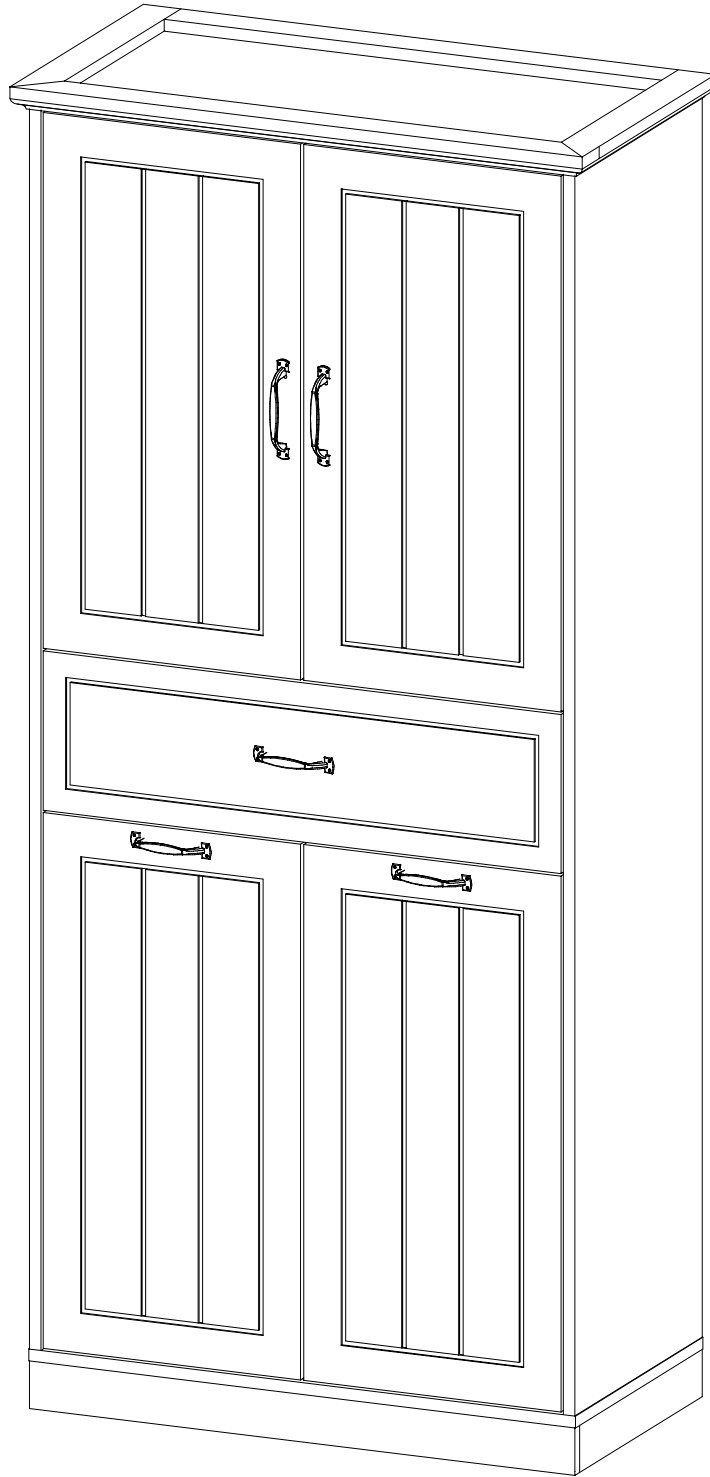
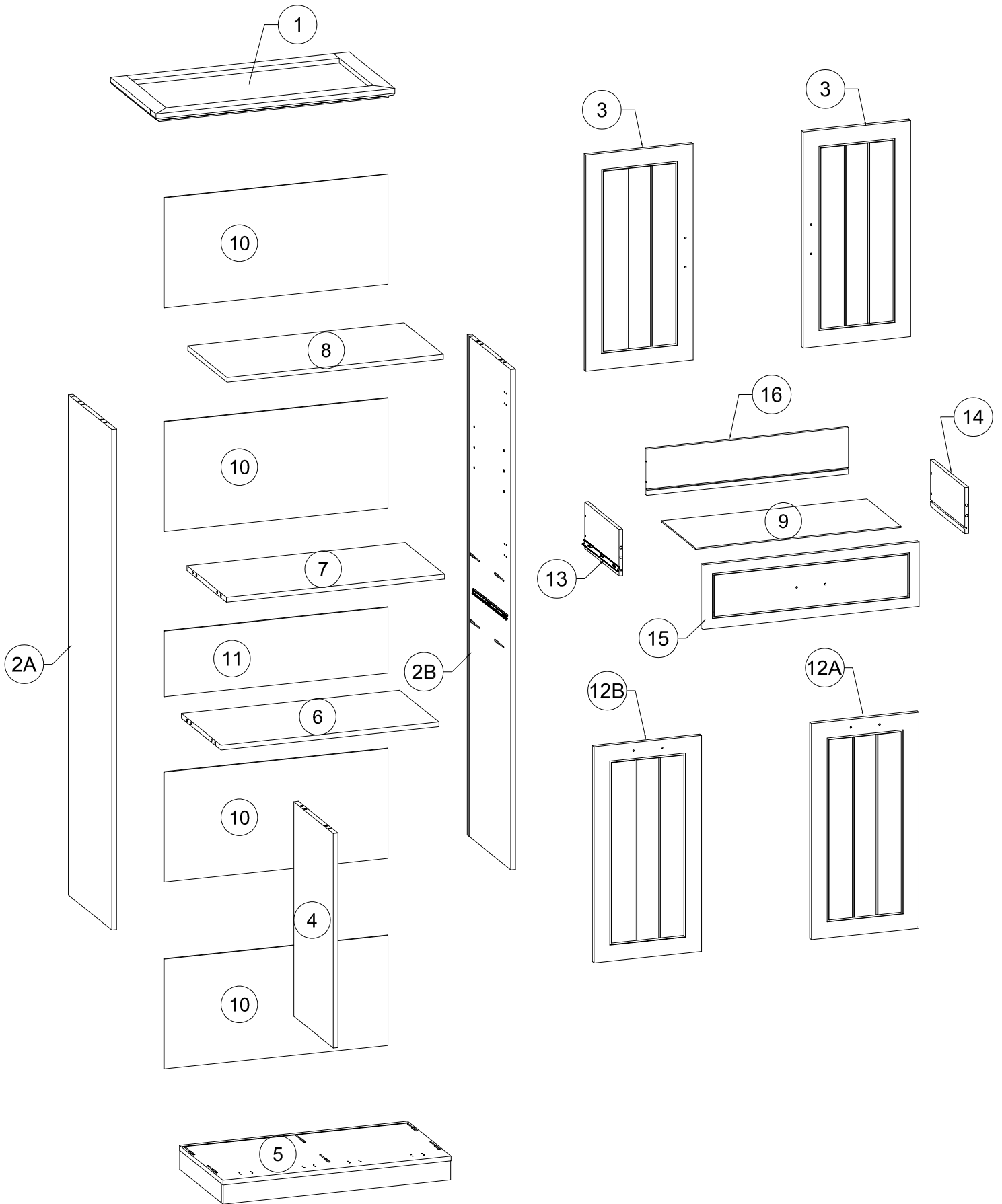


# ASSEMBLY INSTRUCTION

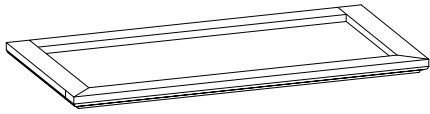


# ASSEMBLY INSTRUCTION



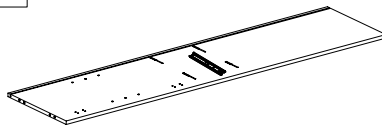
# Part List

1



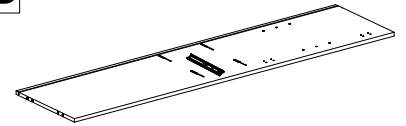
The Top Of The Cabinet - 1pc

2A



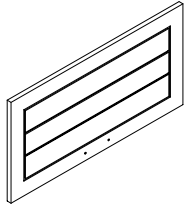
Side Edge Of Cabinet - 1pc

2B



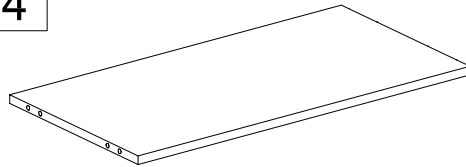
Side Edge Of Cabinet - 1pc

3



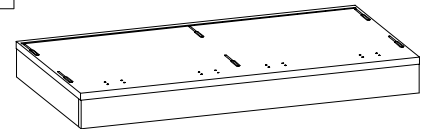
Cabinet Wings - 2pcs

4



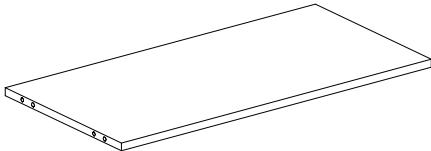
Cabinet Divider Shelf - 1pc

5



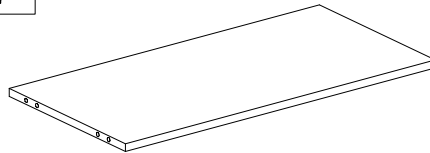
Cabinet Bottom - 1pc

6



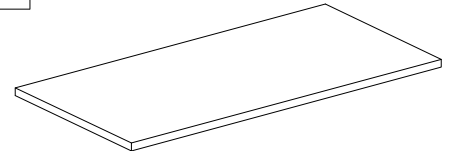
Fixed Shelves - 1pc

7



Fixed Shelves - 1pc

8



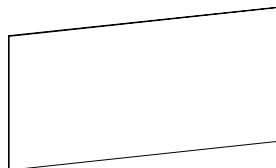
Moving Shelves - 1pc

9



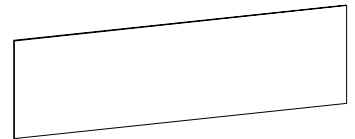
Drawer- Bottom Panels - 1pc

10



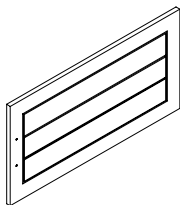
Cabinet Back - 4pcs

11



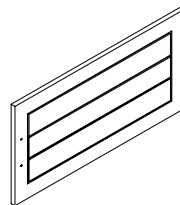
Cabinet Back - 1pc

12A



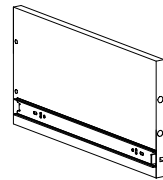
Right Cabinet Wing - 1pc

12B



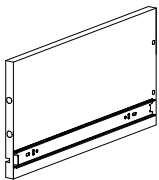
Left Cabinet Wing - 1pc

13



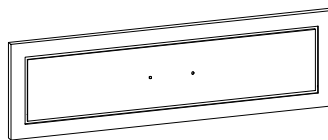
Drawer- Side Panels - 1pc

14



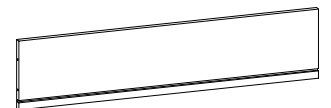
Drawer- Side Panels - 1pc

15



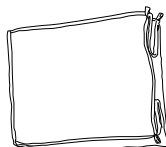
Drawer- Front Panels - 1pc

16



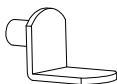
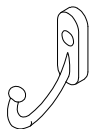


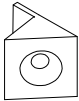
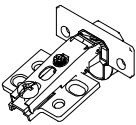
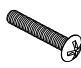
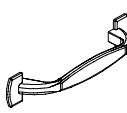

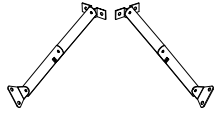

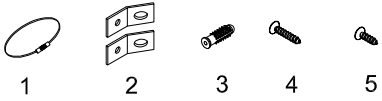
Drawer- Back Panels - 1pc

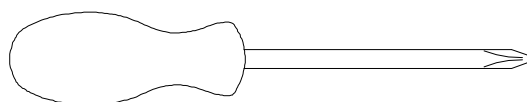
M



Cloth Bag - 2pcs

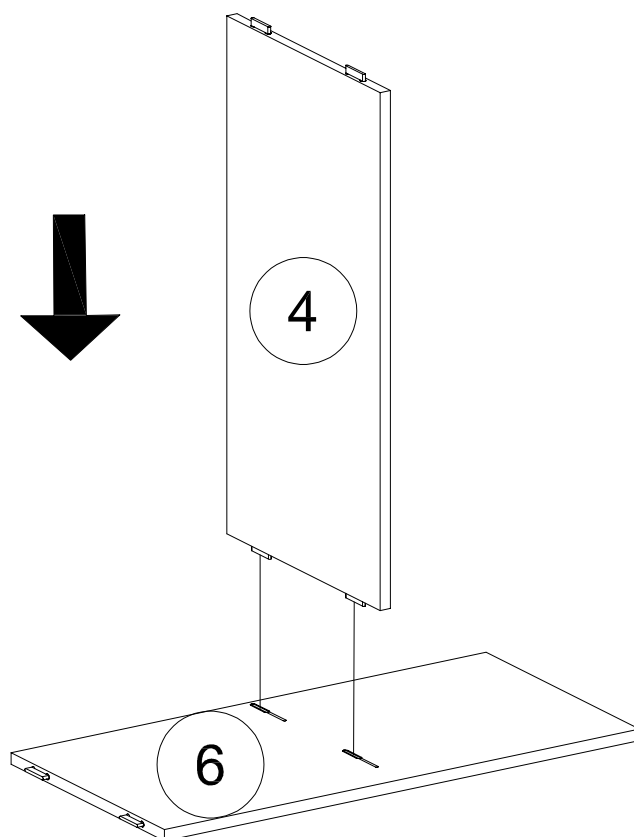
# Hardware List

<p><b>A</b></p>  <p>Support Pin (9mm) 4pcs</p>	<p><b>B</b></p>  <p>Hanger 8pcs</p>	<p><b>C</b></p>  <p>M3.5 x 15mm Wood Screws 72pcs</p>
<p><b>D</b></p>  <p>M4 x 15mm Wood Screws 48pcs</p>	<p><b>E</b></p>  <p>Plastic Wedges 28pcs</p>	<p><b>F</b></p>  <p>Hinge 8pcs</p>
<p><b>G</b></p>  <p>M4 x 15mm Truss Head Wood Screws 10pcs</p>	<p><b>H</b></p>  <p>Cabinet Door 5pcs</p>	<p><b>I</b></p>  <p>M4 x 30 mm Wood Screws 4pcs</p>
<p><b>J</b></p>  <p>Crankshaft 2 set (2L-2R)</p>	<p><b>L</b></p>  <p>1                      2 Clamp pin 4 set</p>	<p><b>N</b></p>  <p>1           2           3           4           5 Anti Fall 2 set</p>



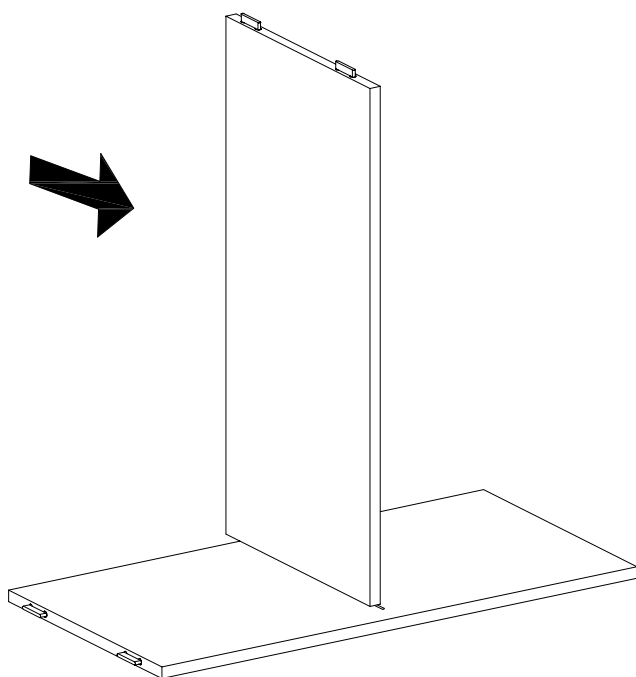
**Assembly Tools Required (Not Included)**

## STEP 1.1: Following below illustration:

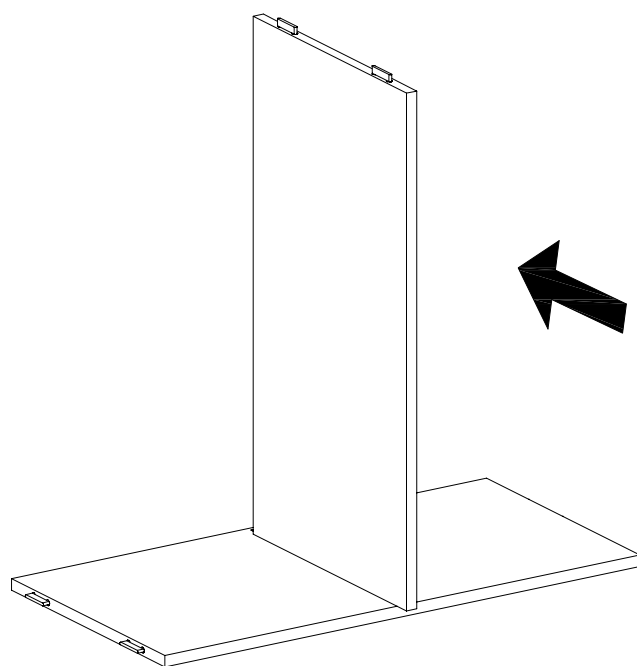


## STEP 1.2: Following below illustration:

Check all joints are level and the rear groove is straight

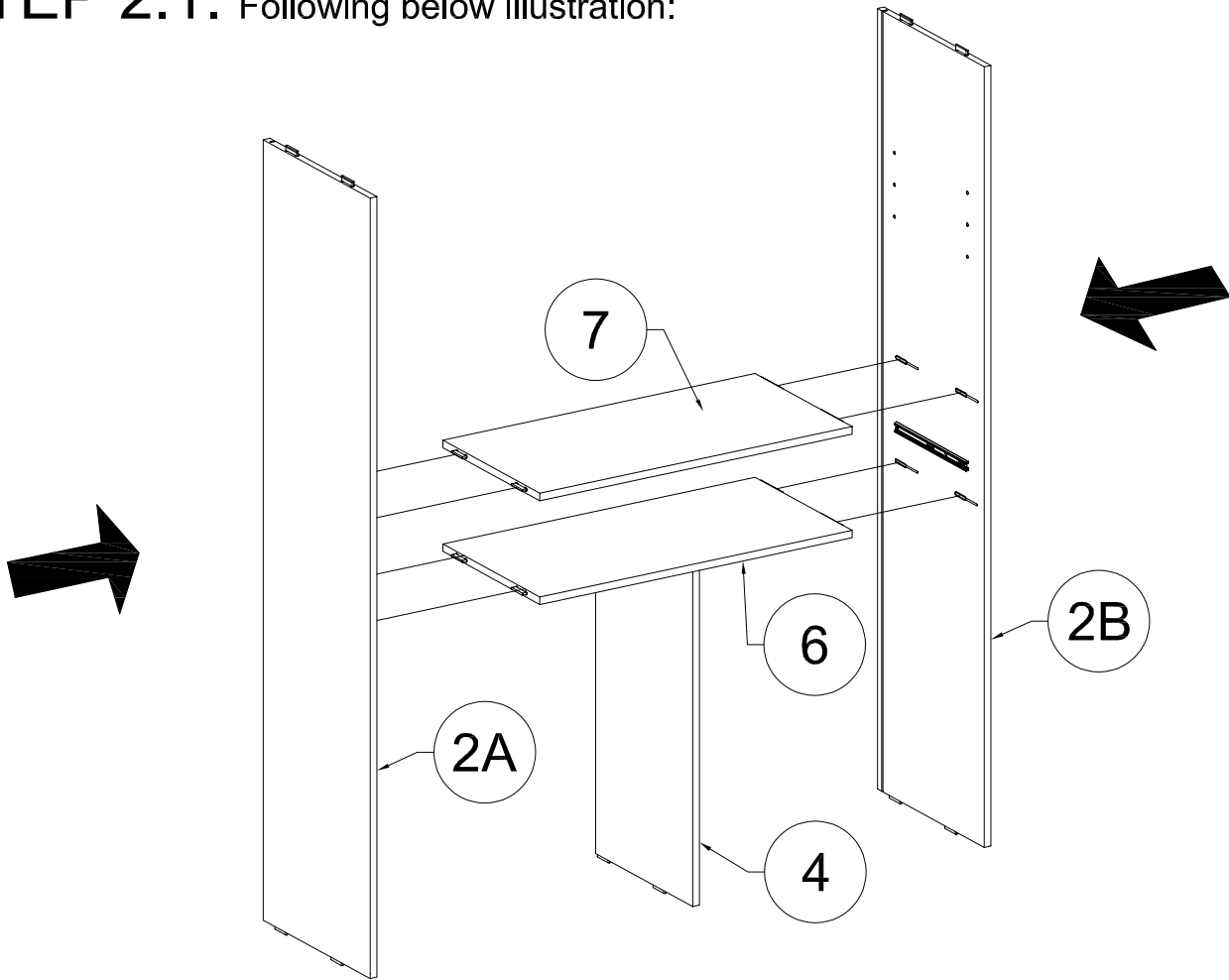


View From The Front



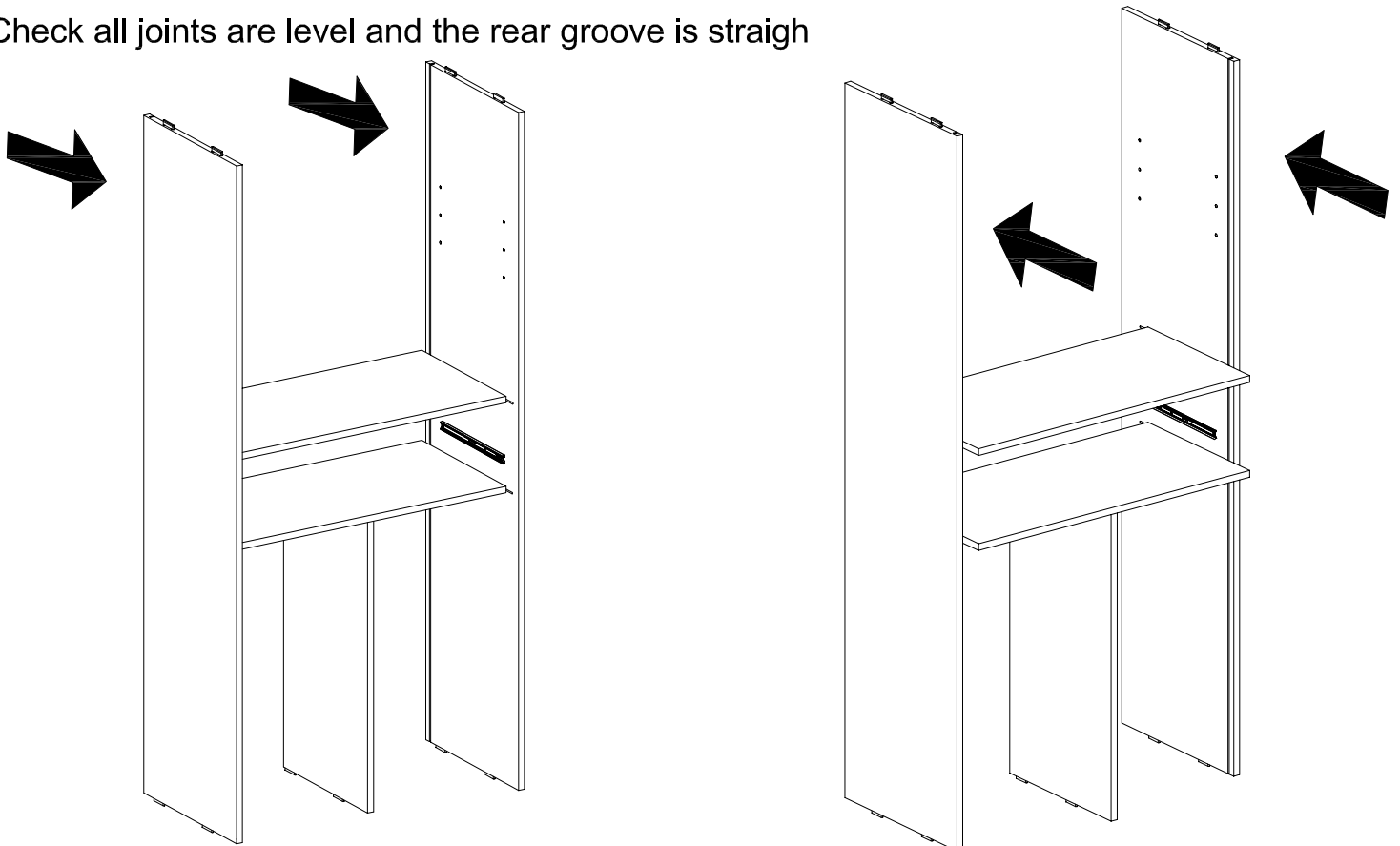
View From The Back

## STEP 2.1: Following below illustration:



## STEP 2.2: Following below illustration:

Check all joints are level and the rear groove is straight

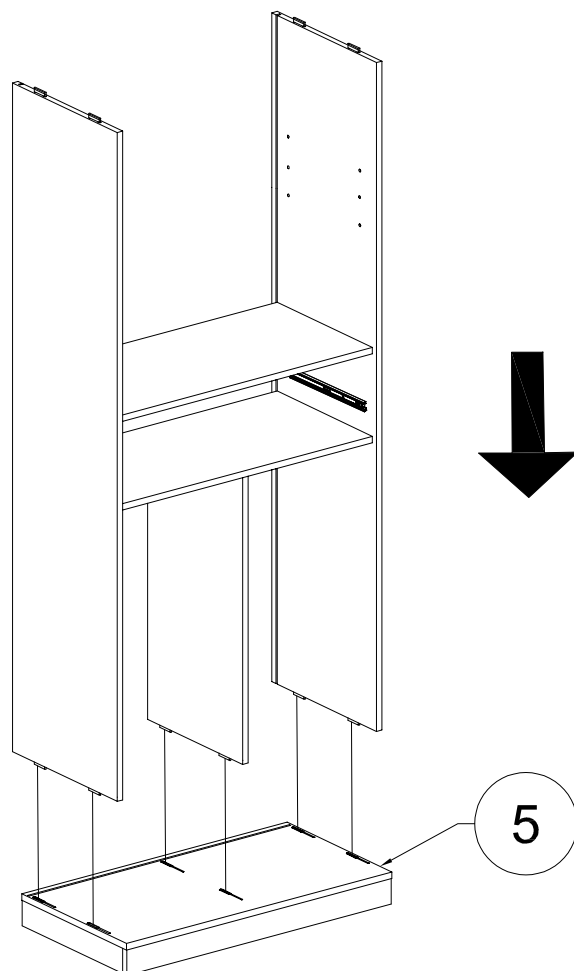


View From The Front

6

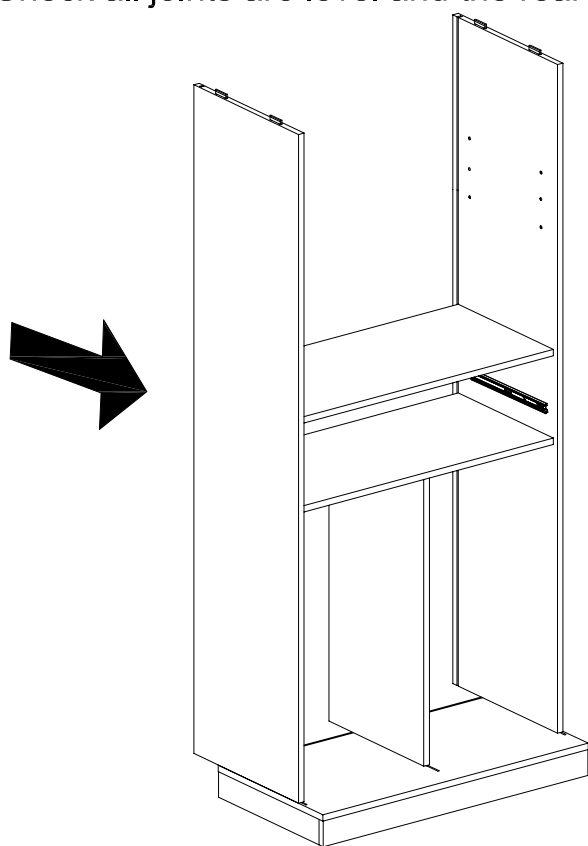
View From The Back

### STEP 3.1: Following below illustration:

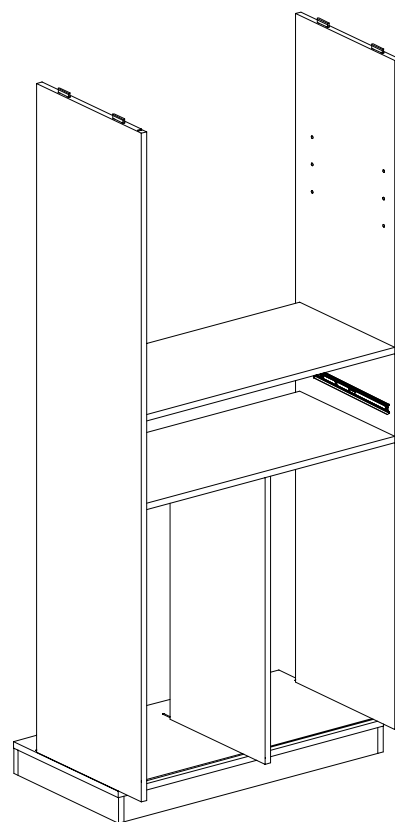


### STEP 3.2: Following below illustration:

Check all joints are level and the rear groove is straight

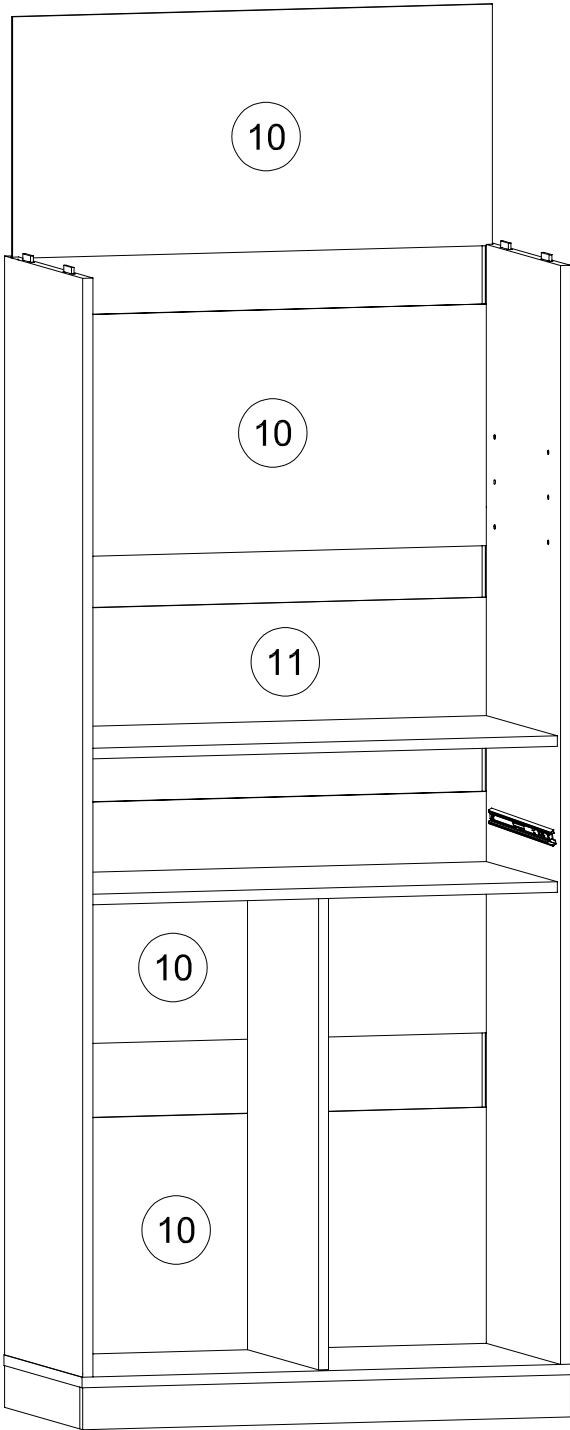


View From The Front

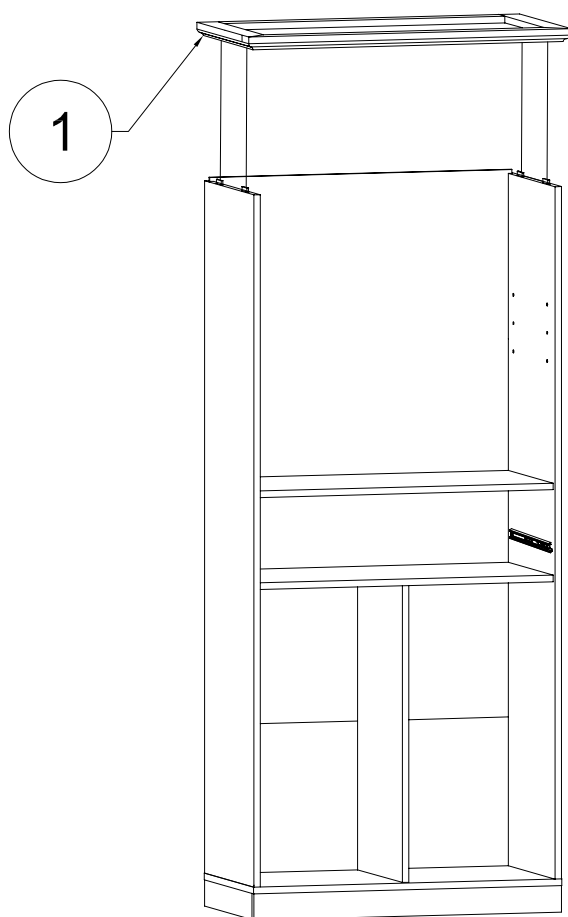


View From The Back

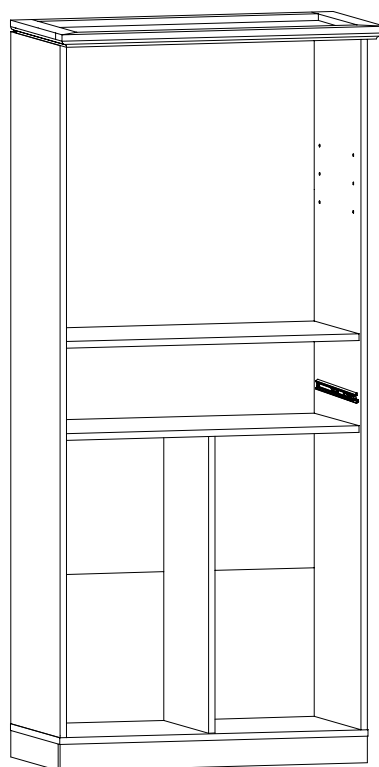
**STEP 4:** Following below illustration:





**STEP 5.1:** Following below illustration:

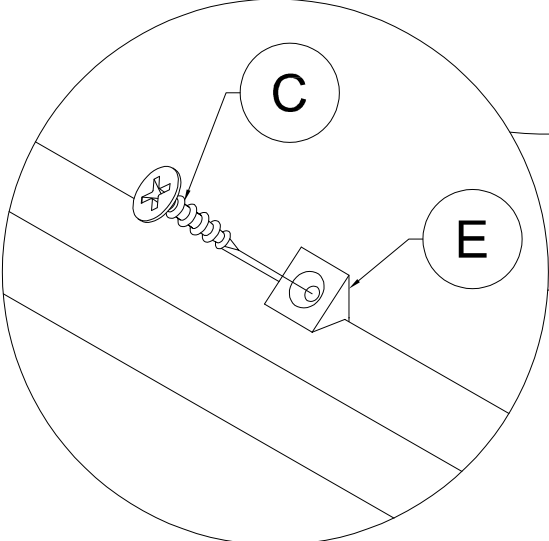
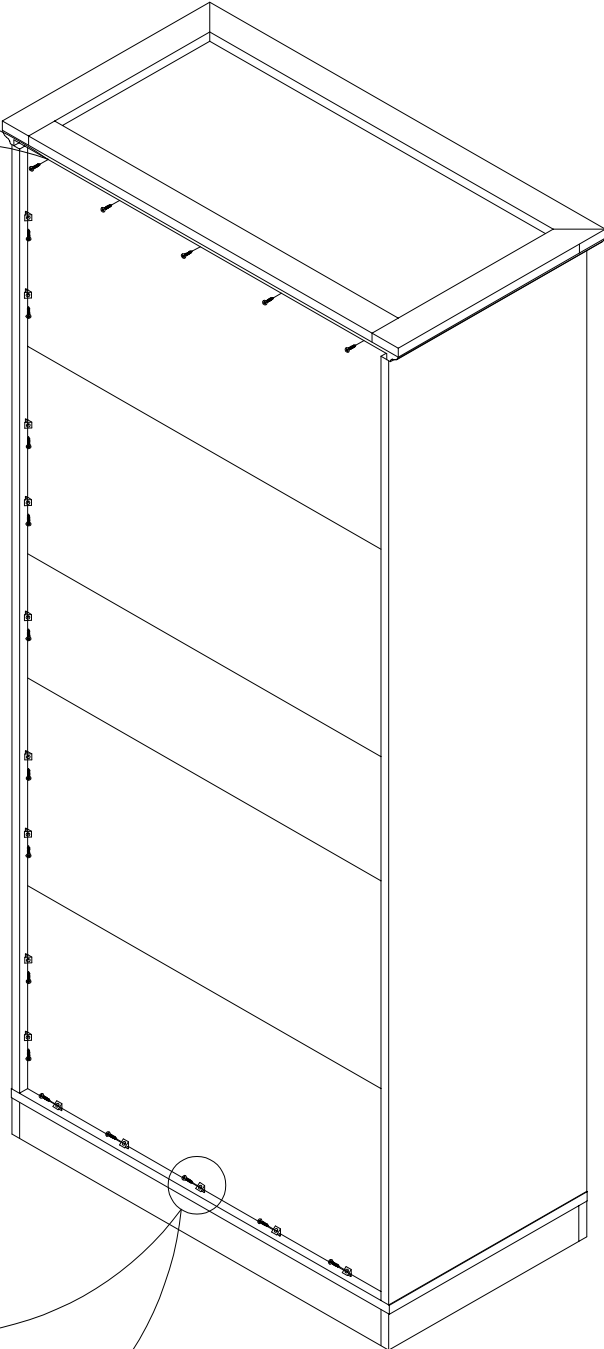
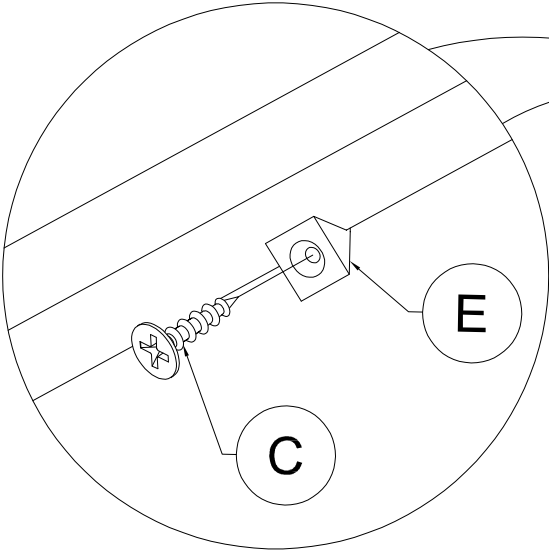


**STEP 5.2:** Following below illustration:

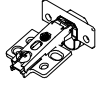



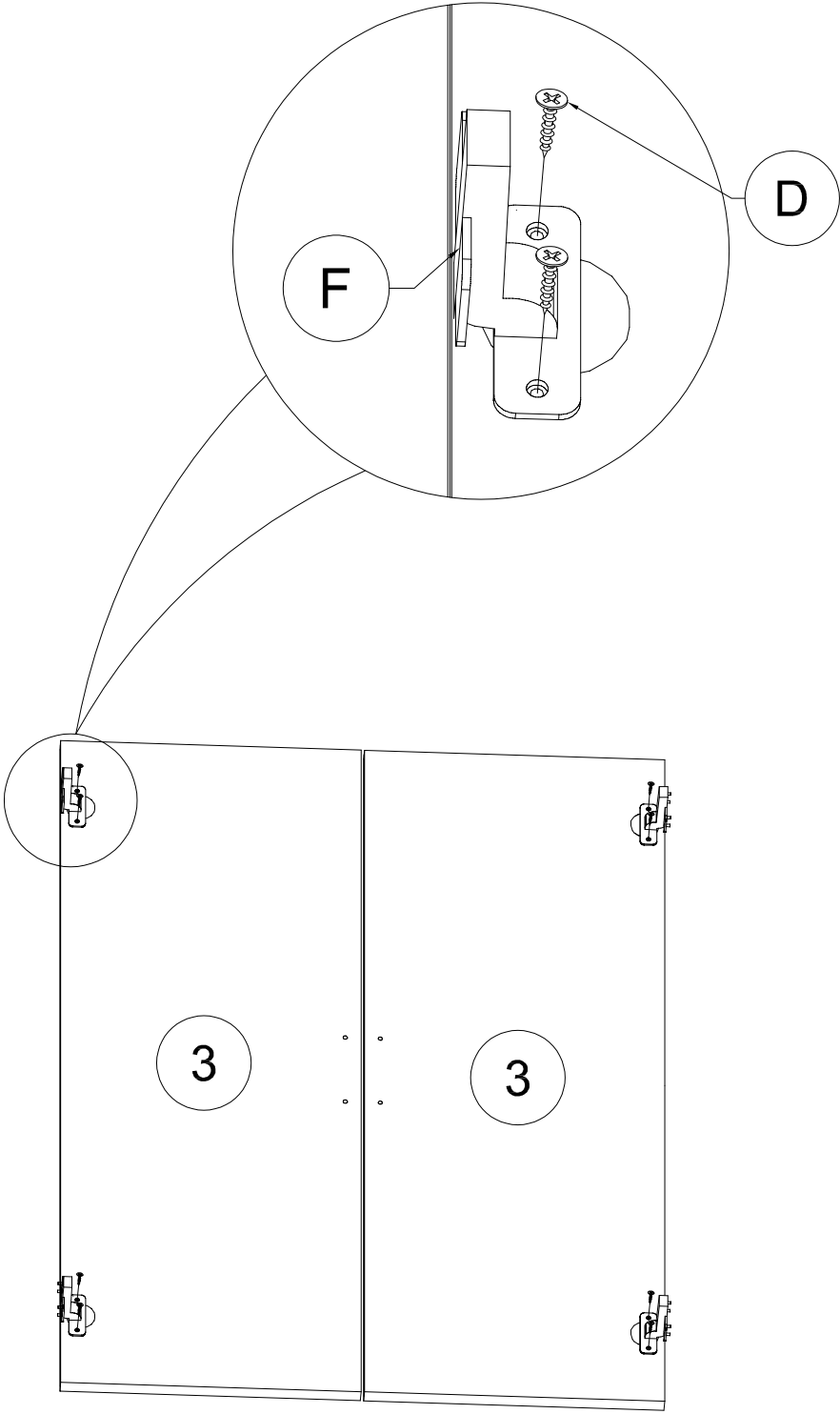
# STEP 6: Following below illustration:

E	C
	
28pcs	28pcs

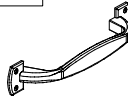




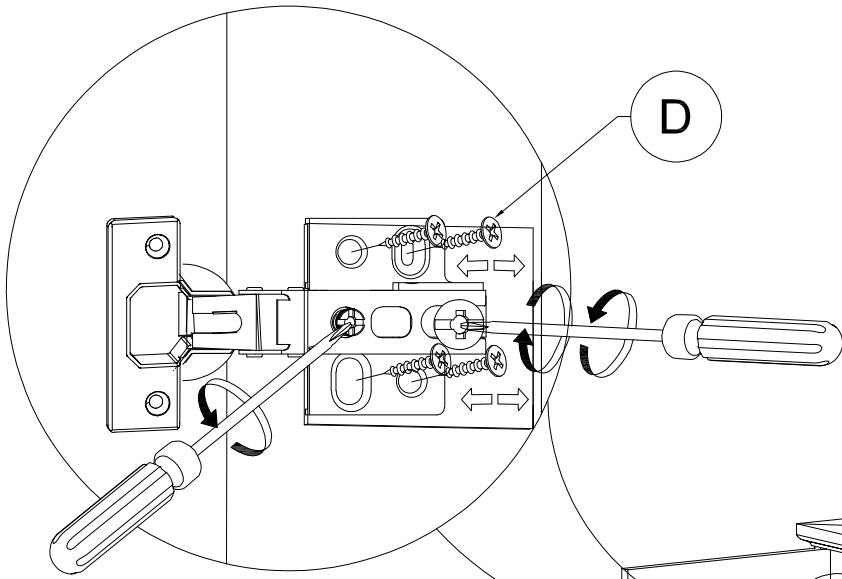
**STEP 7:** Following below illustration:

<b>F</b>	<b>D</b>
	
4pcs	8pcs

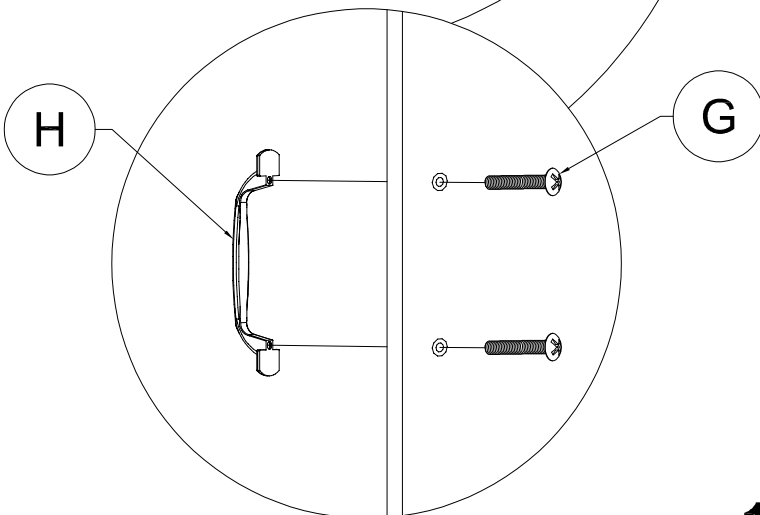
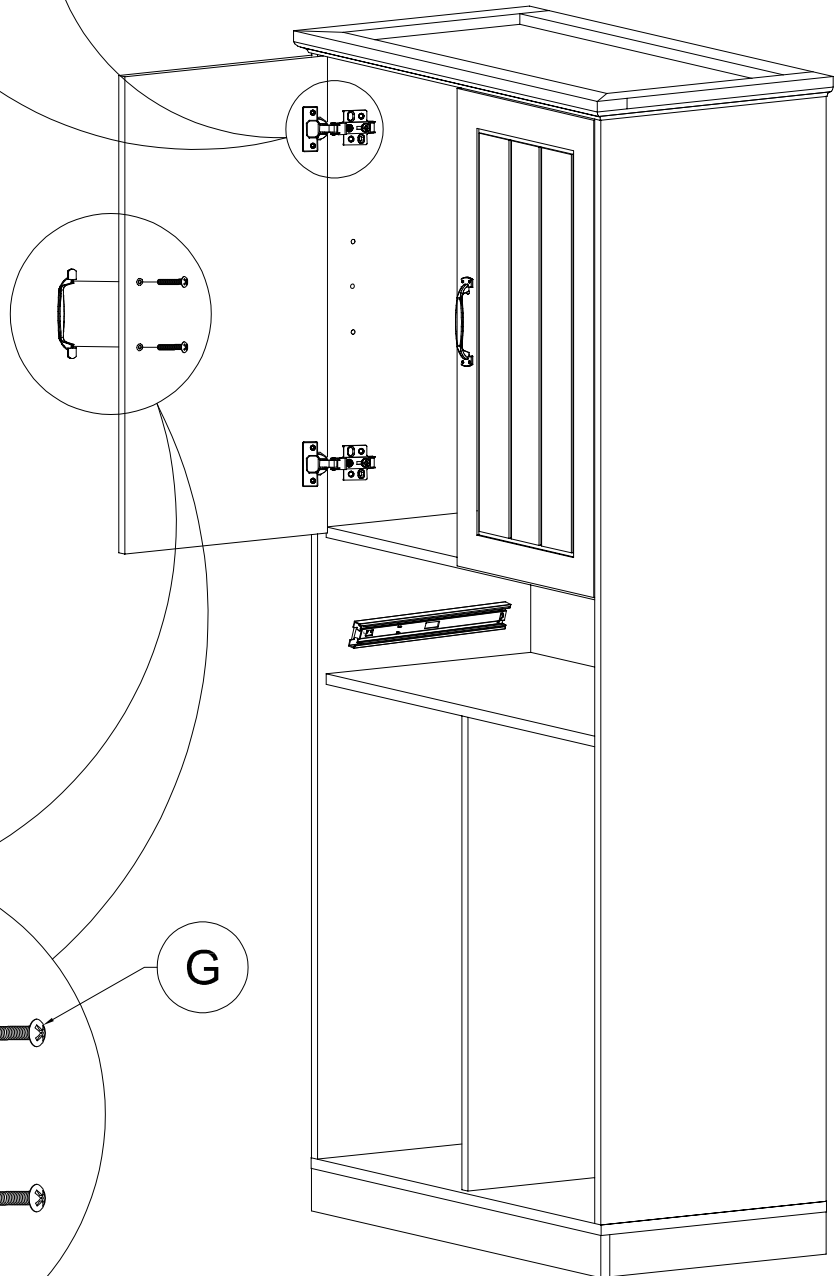


# STEP 8: Following below illustration:


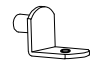
<b>H</b>	<b>G</b>	<b>D</b>
		
2pcs	4pcs	16pcs

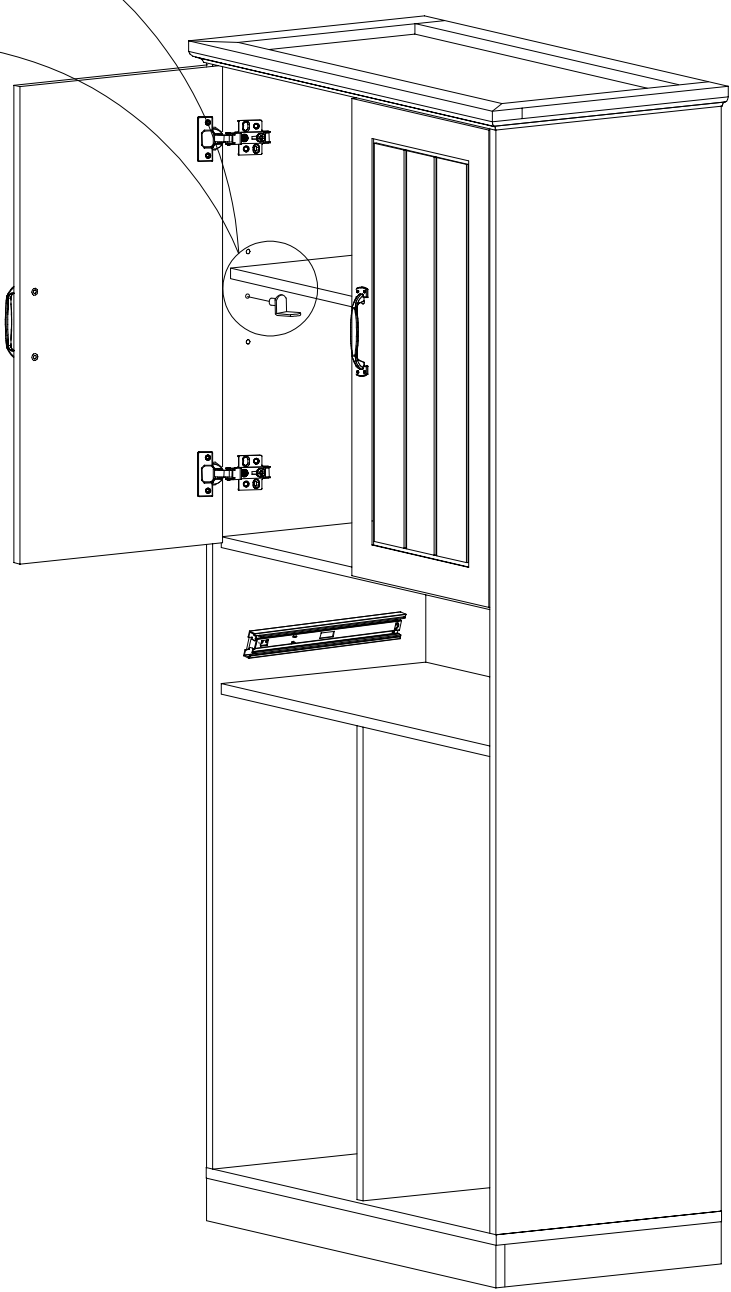
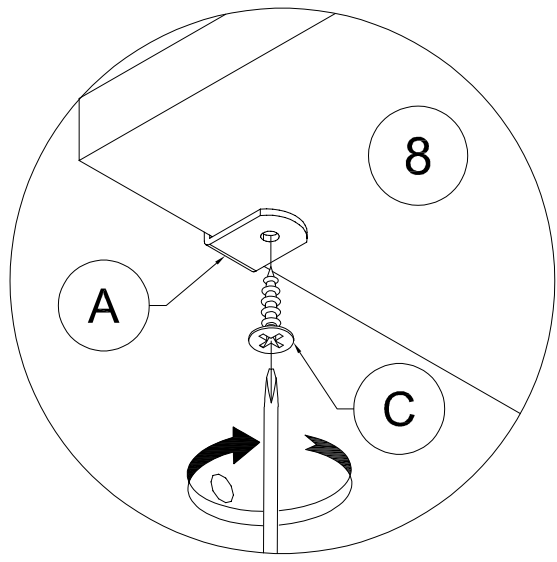
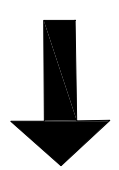
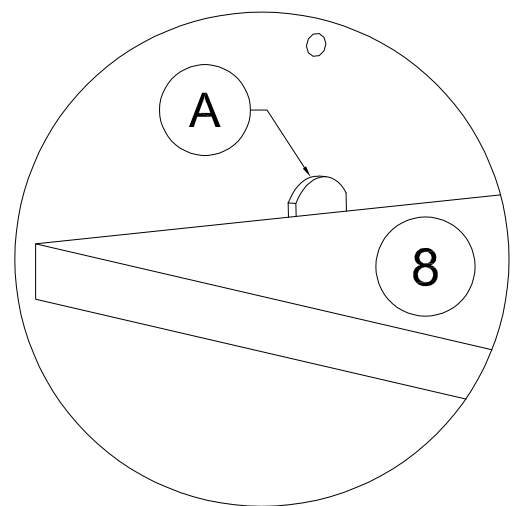
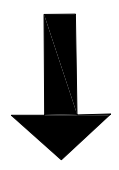
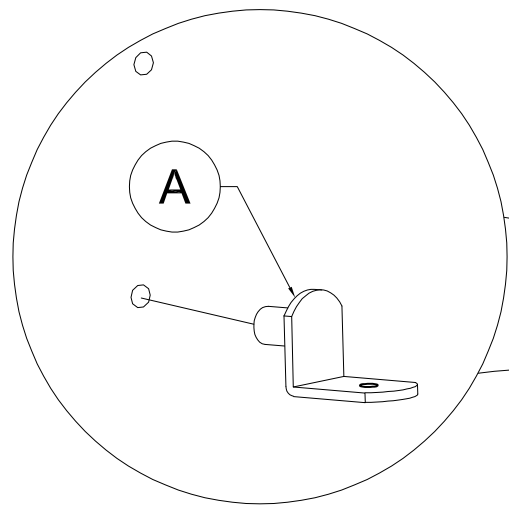


Scan the QR code to adjust the cabinet door clearance as desired.



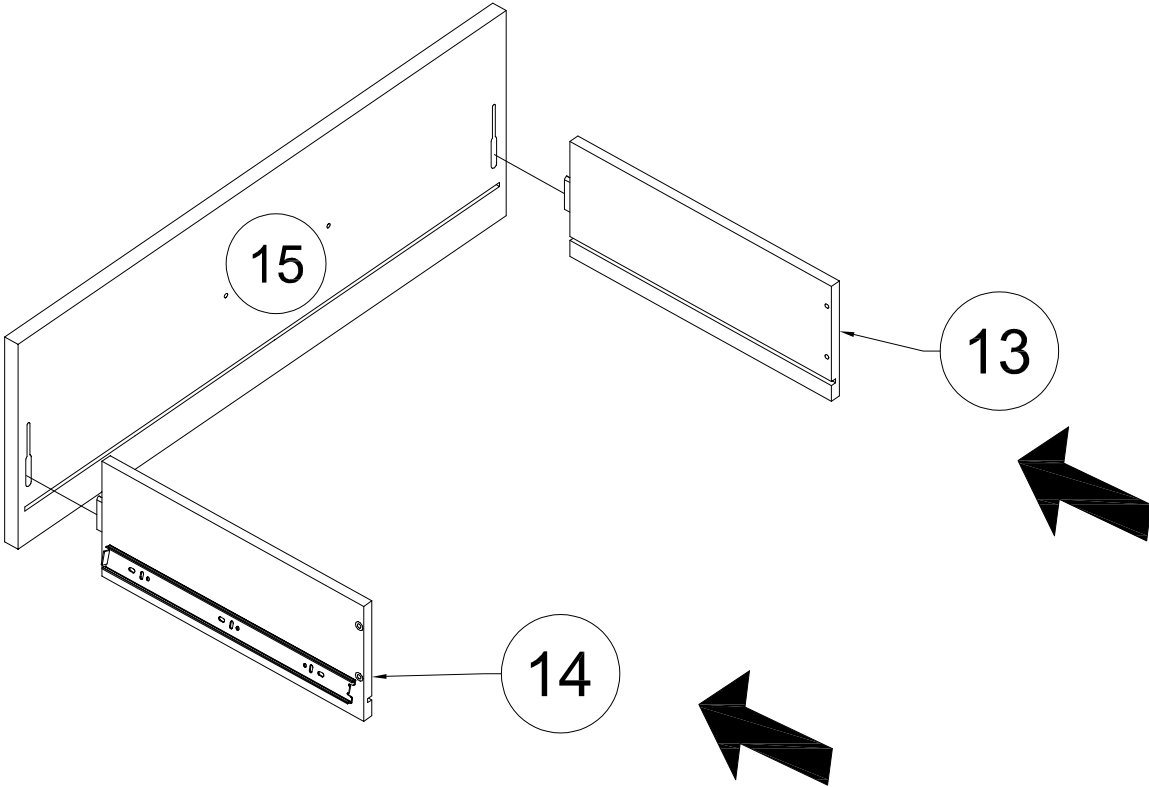
# STEP 9: Following below illustration:

<b>C</b> 	<b>A</b> 
4pcs	4pcs

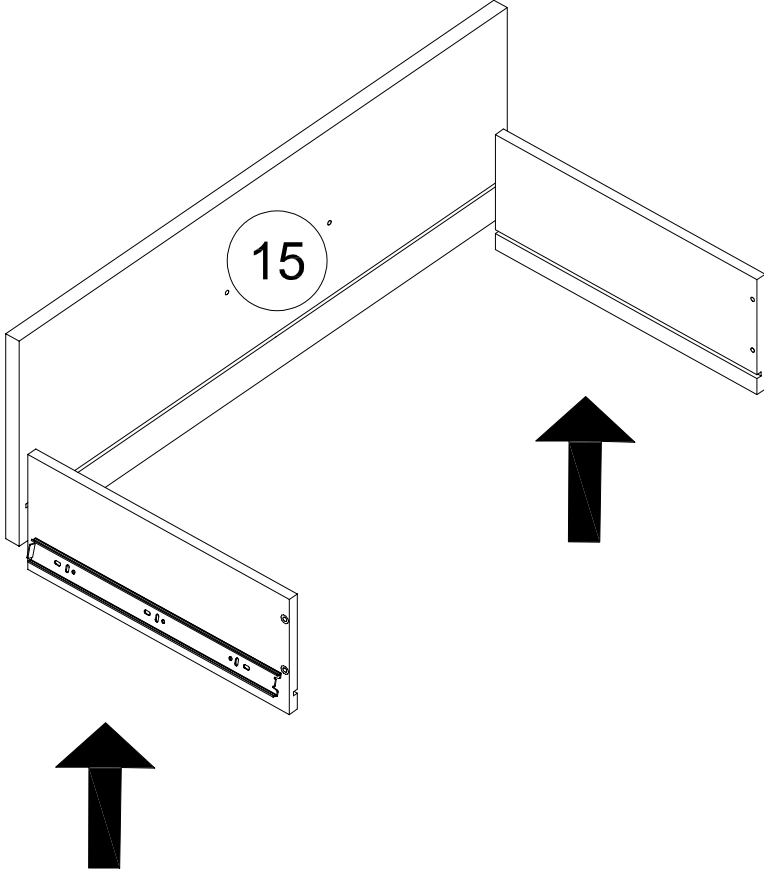


**x4**

**STEP 10.1:** Following below illustration:

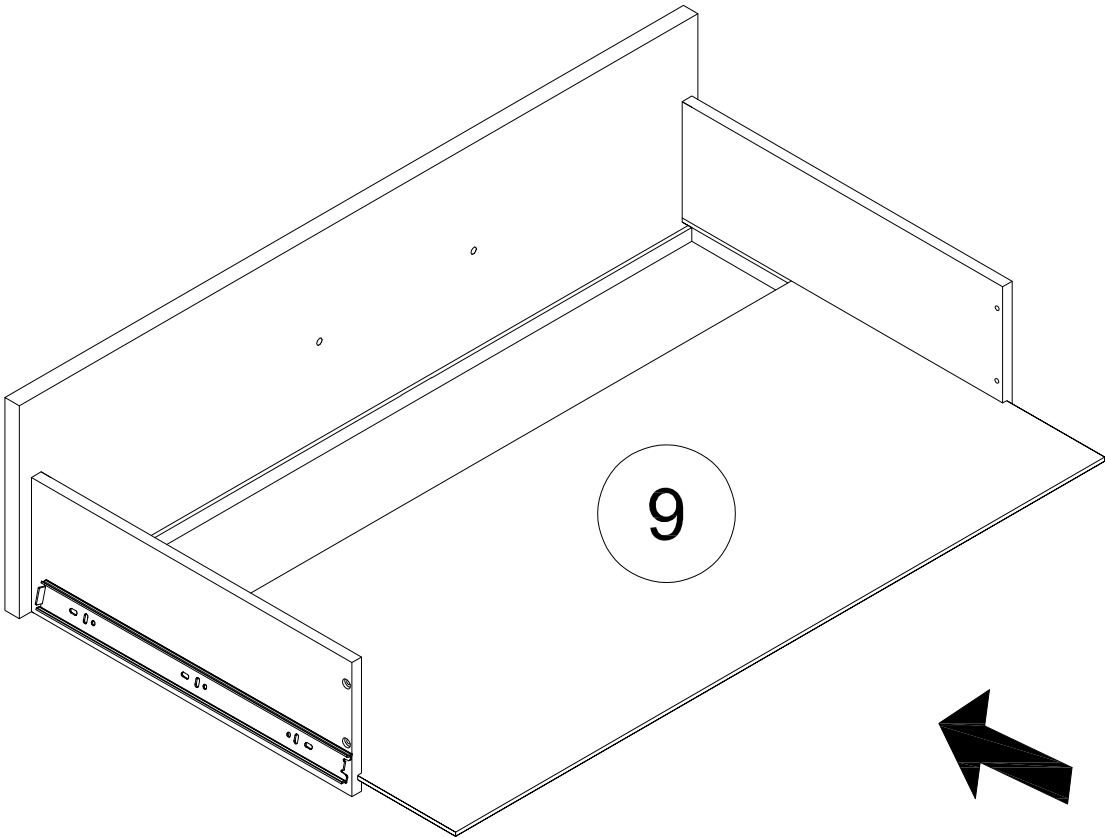


**STEP 10.2:** Following below illustration:


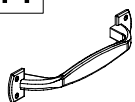
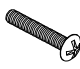


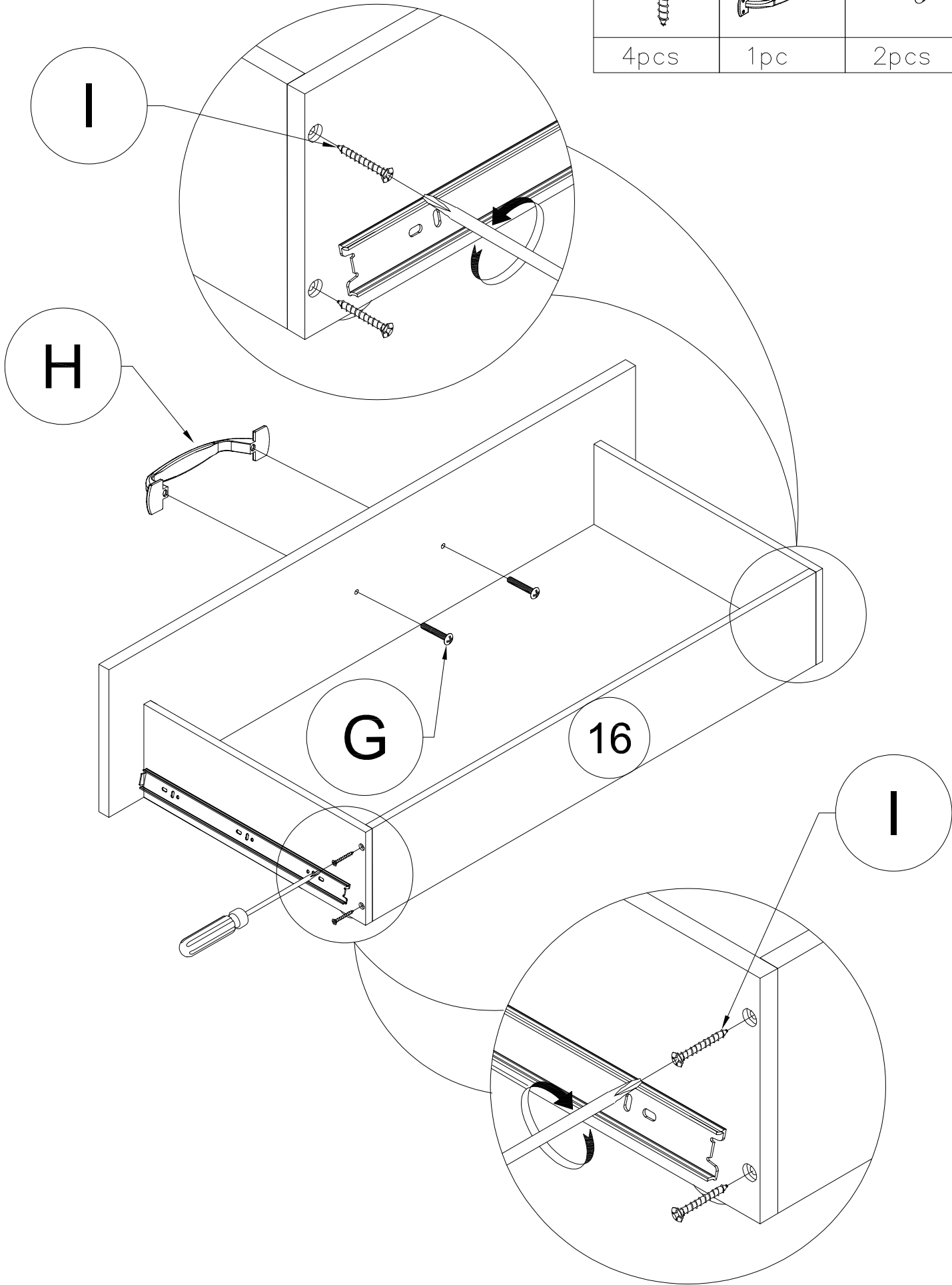
**14**

**STEP 10.3:** Following below illustration:

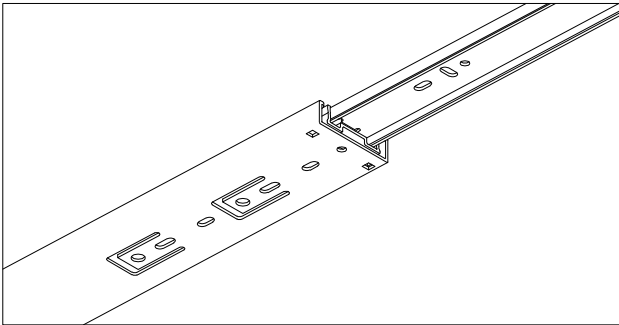
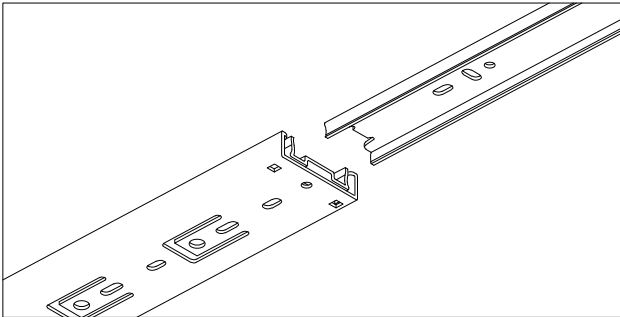
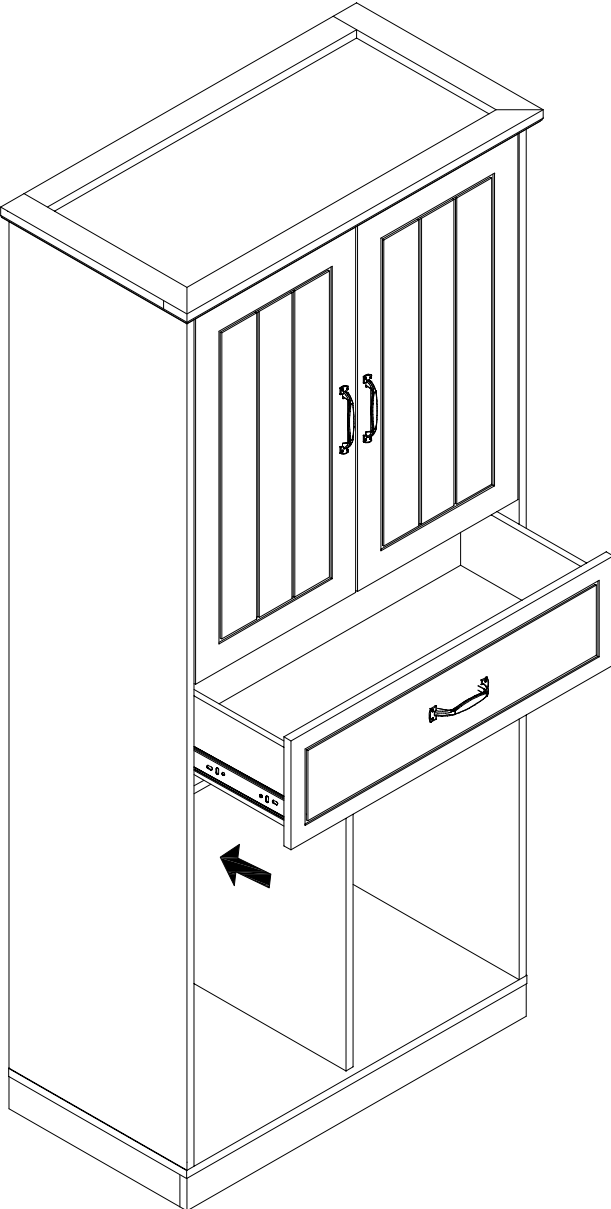


**STEP 11:** Following below illustration:


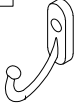
<b>I</b>		<b>H</b>		<b>G</b>	
4pcs		1pc		2pcs	

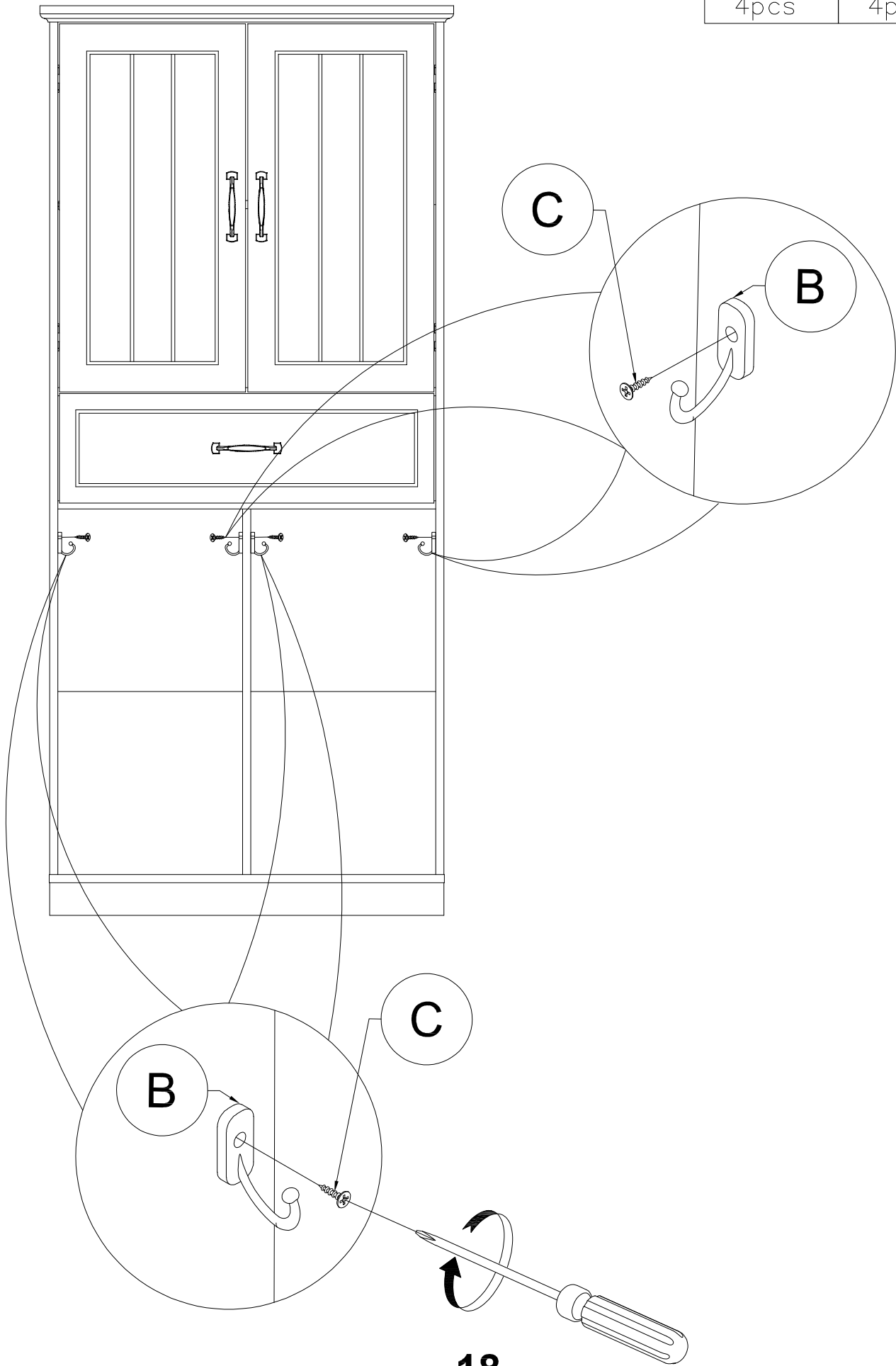


**STEP 12:** Following below illustration:

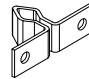
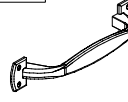
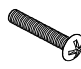



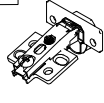


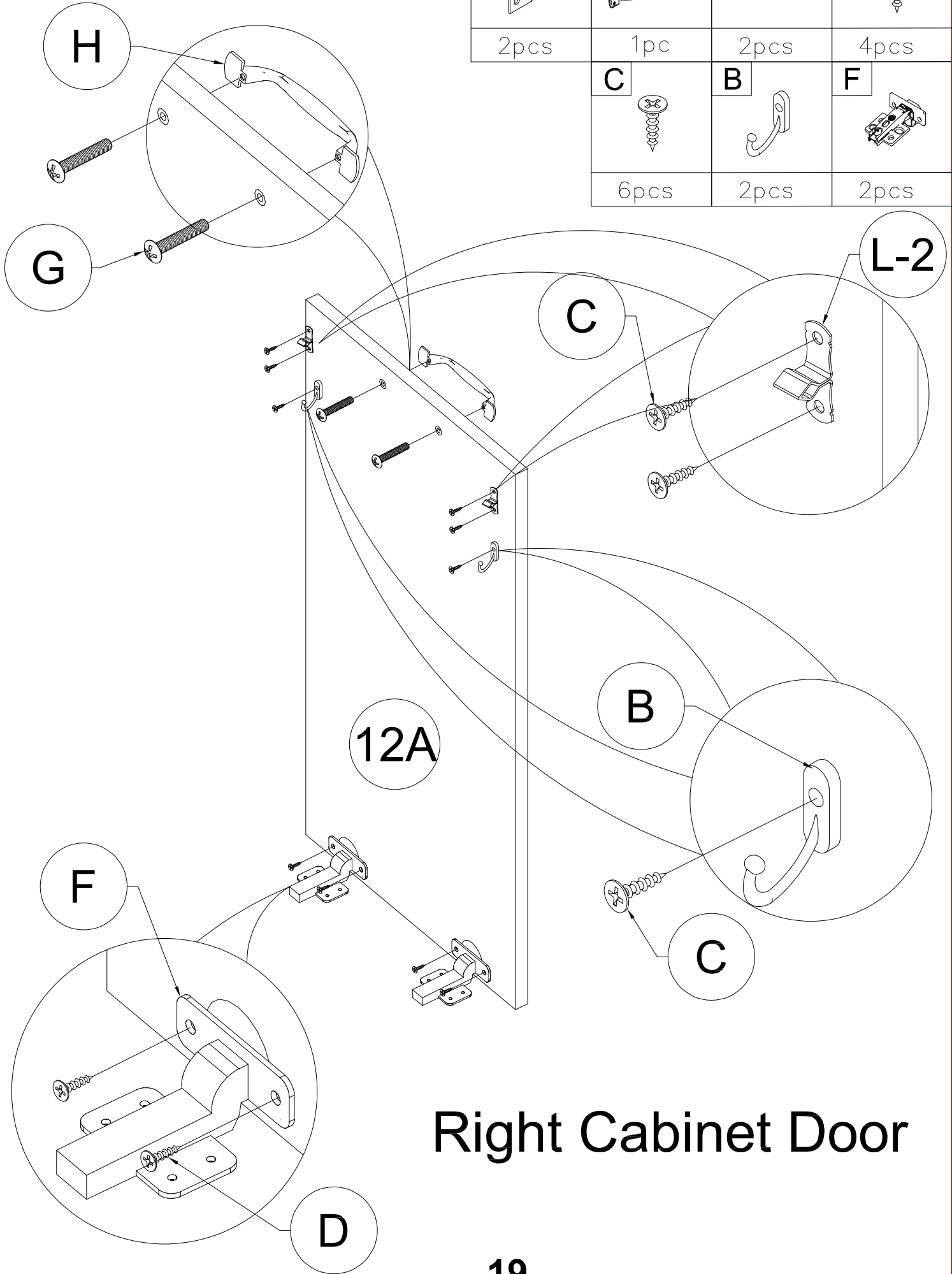
**STEP 13:** Following below illustration:

<b>C</b>		<b>B</b>	
4pcs		4pcs	



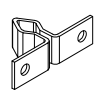
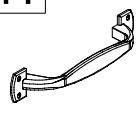
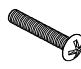



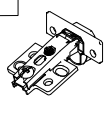
**STEP 14:** Following below illustration:

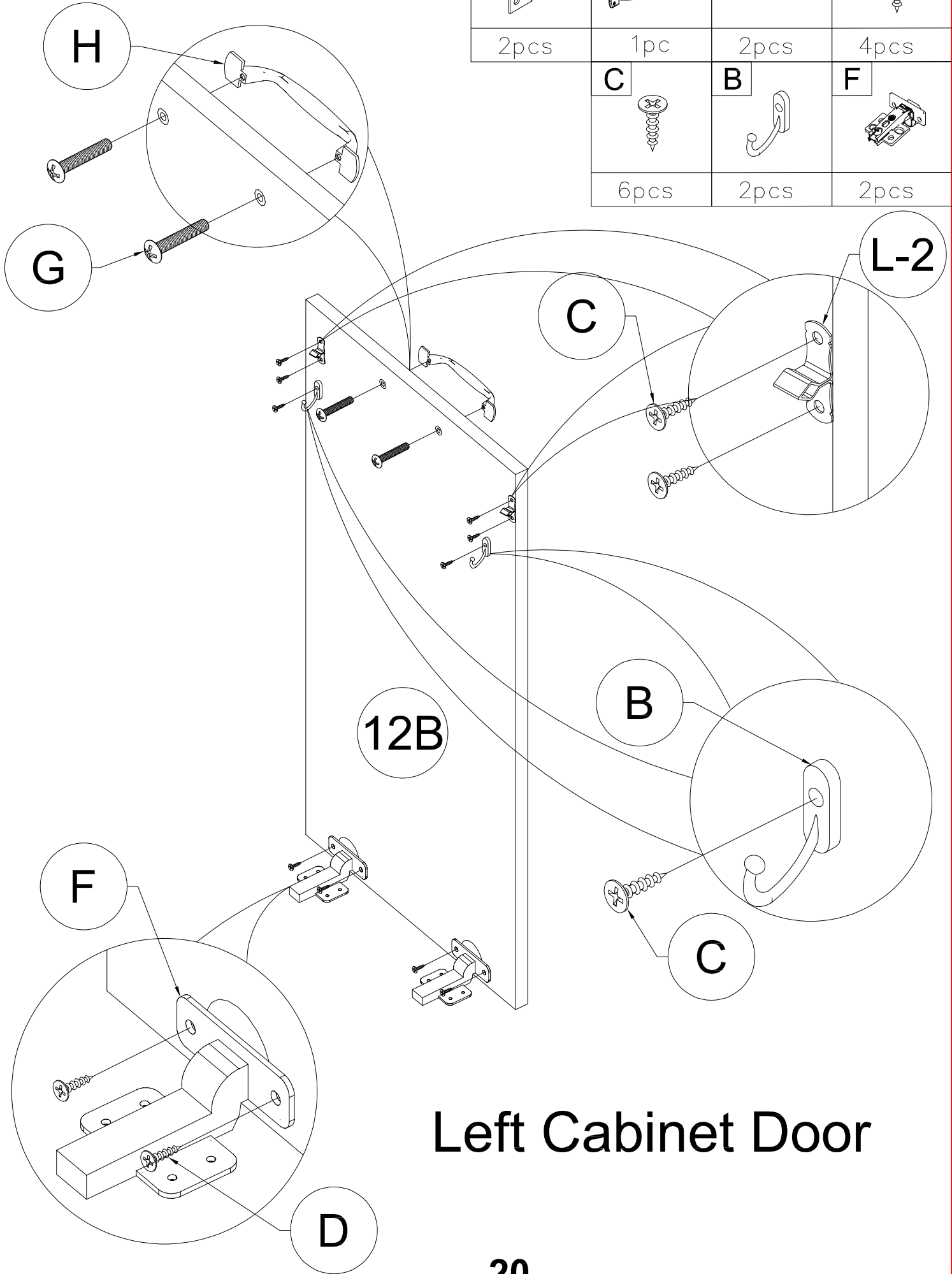
<b>L-2</b>  2pcs	<b>H</b>  1pc	<b>G</b>  2pcs	<b>D</b>  4pcs
	<b>C</b>  6pcs	<b>B</b>  2pcs	<b>F</b>  2pcs



**Right Cabinet Door**

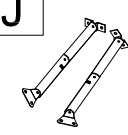

**STEP 15:** Following below illustration:

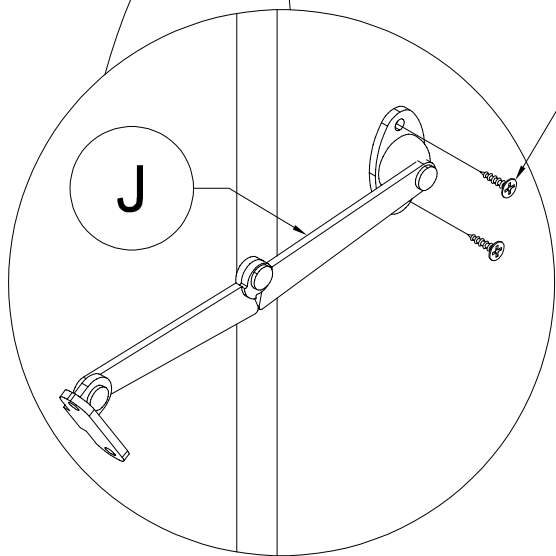
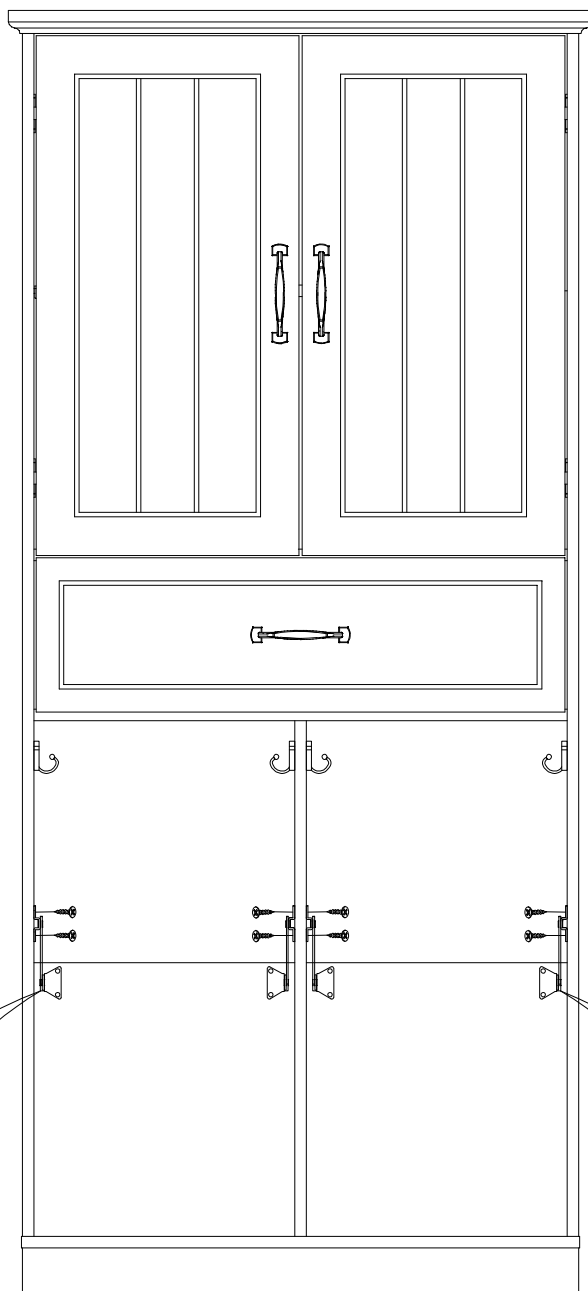
<b>L-2</b>  2pcs	<b>H</b>  1pc	<b>G</b>  2pcs	<b>D</b>  4pcs
<b>C</b>  6pcs	<b>B</b>  2pcs	<b>F</b>  2pcs	



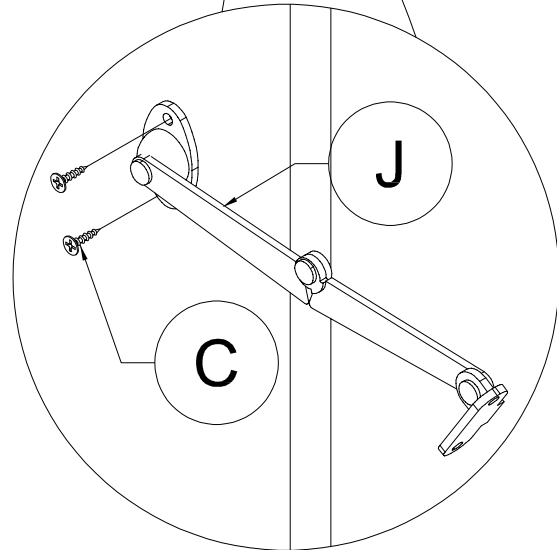
**Left Cabinet Door**

# STEP 16: Following below illustration:

<b>J</b> 	<b>C</b> 
2set	8pcs



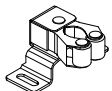

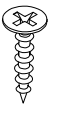
**C**

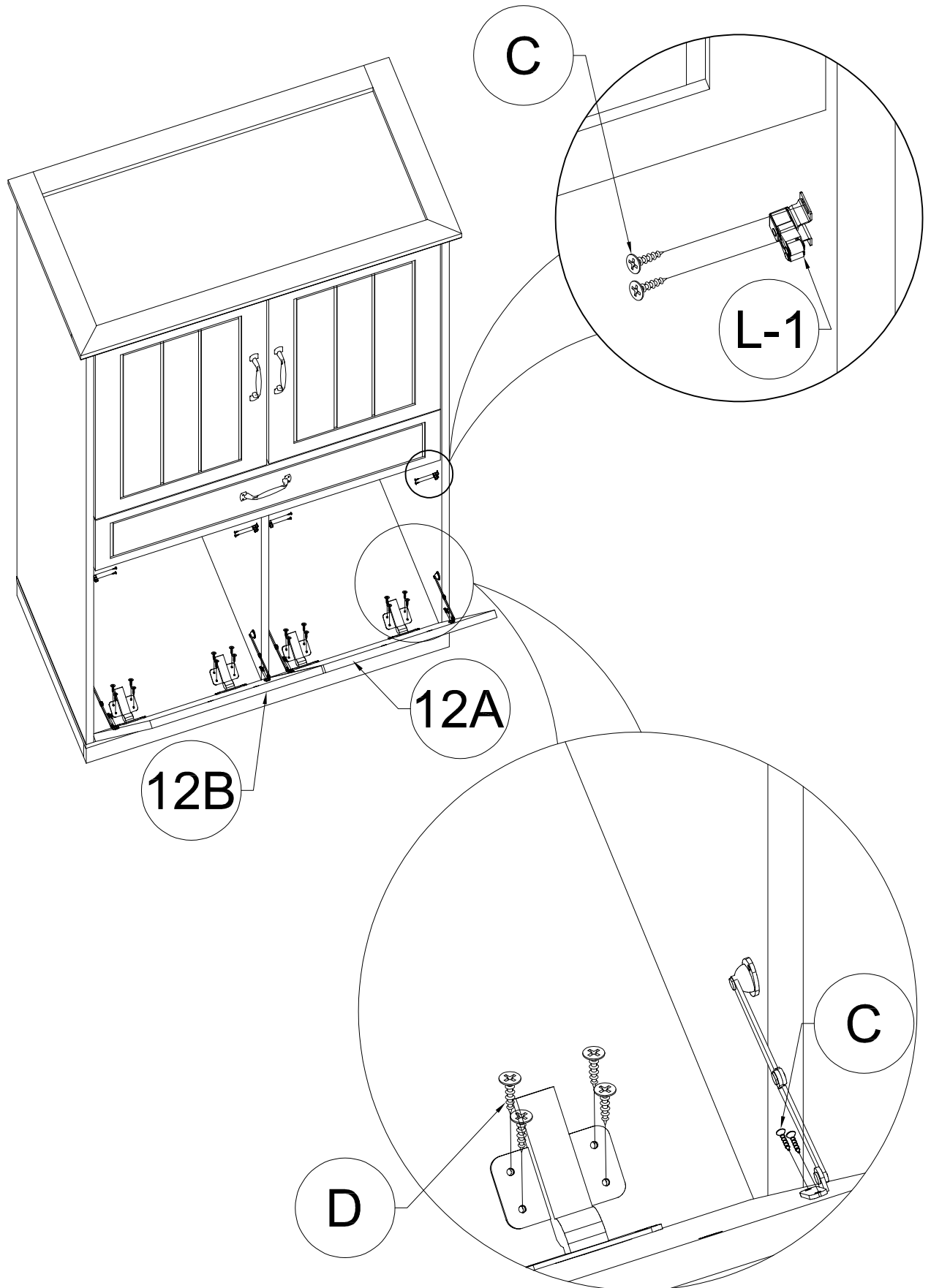


**J**


**C**

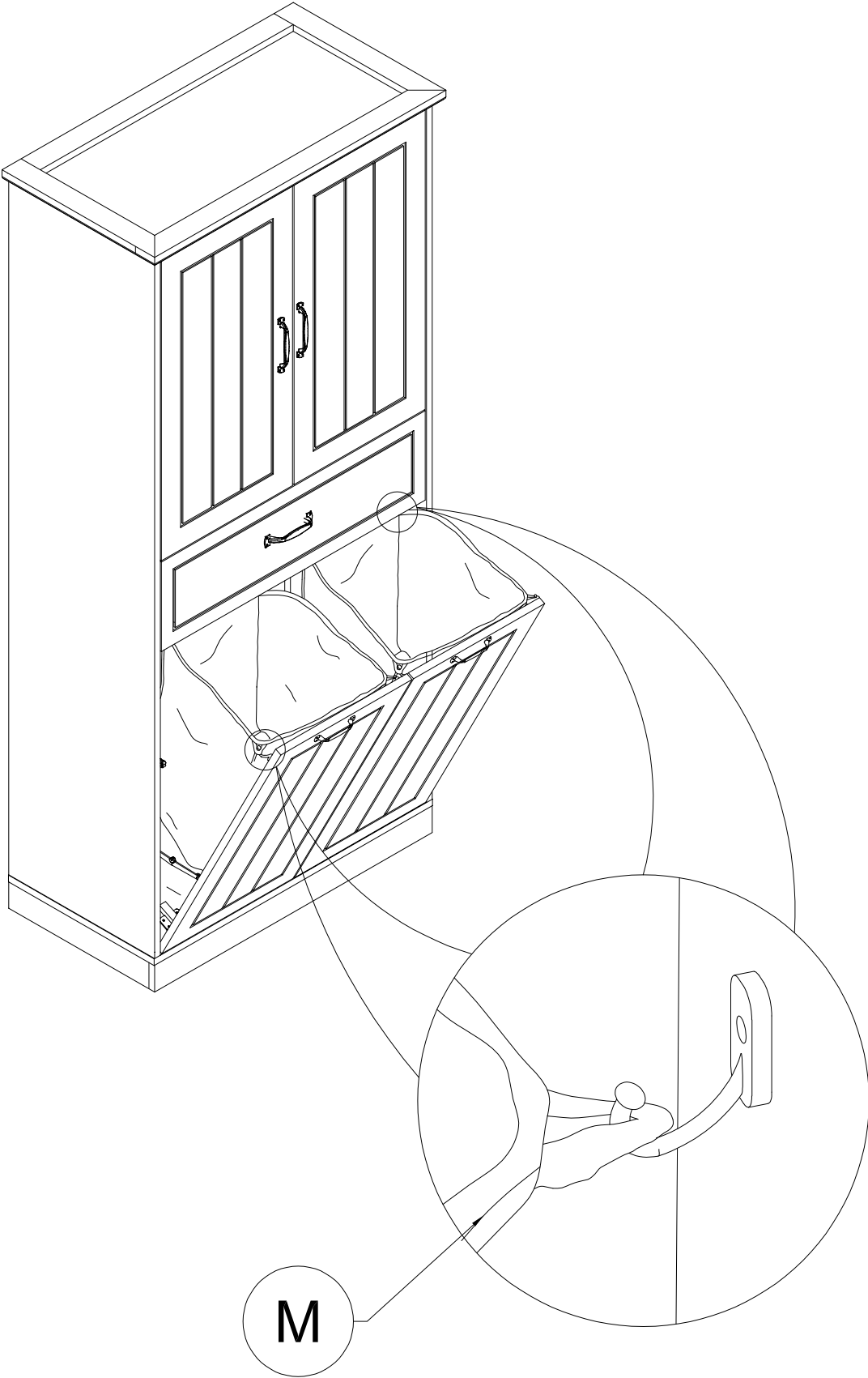
# STEP 17: Following below illustration:

<b>L-1</b> 	<b>C</b> 	<b>D</b> 
4pcs	16pcs	16pcs




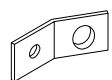


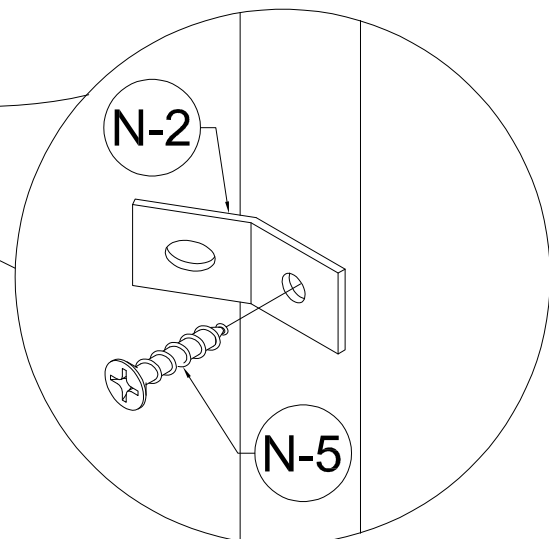
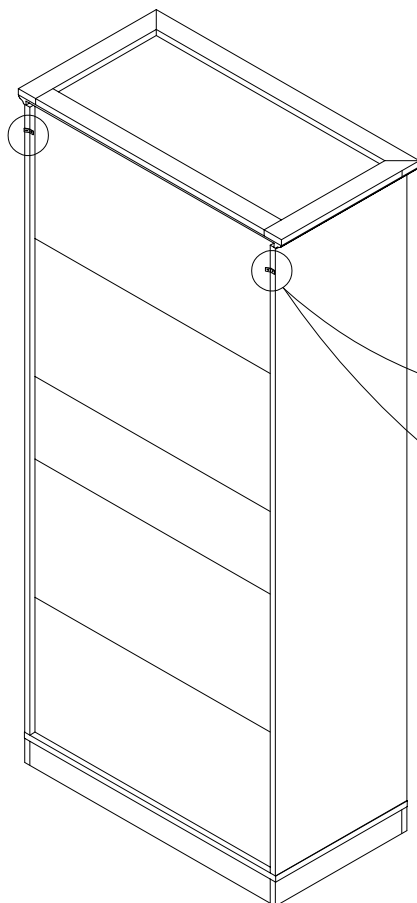
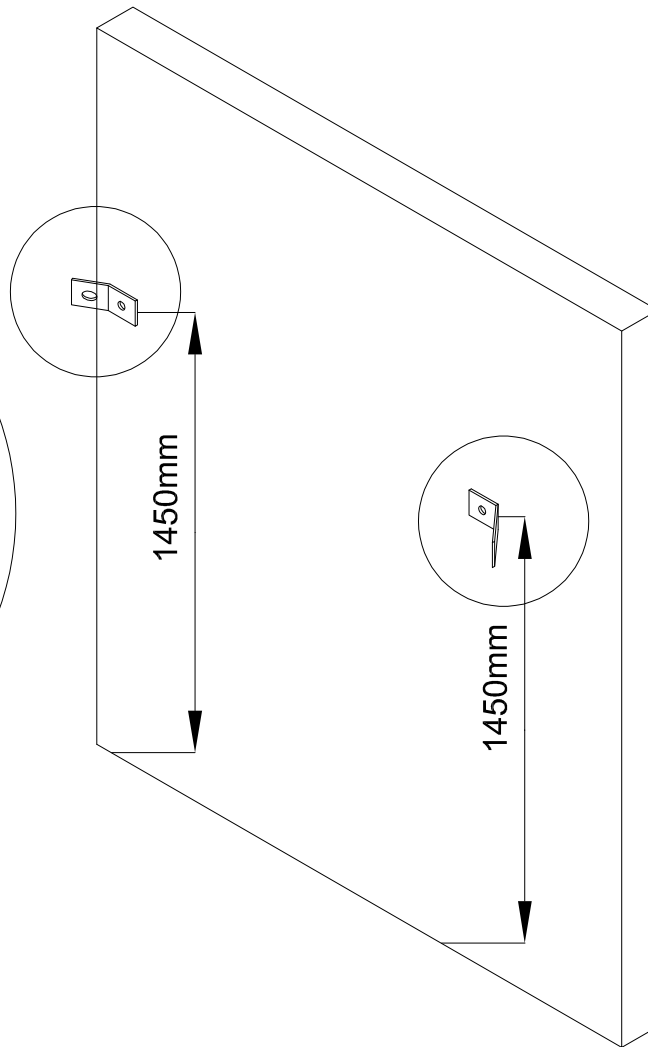
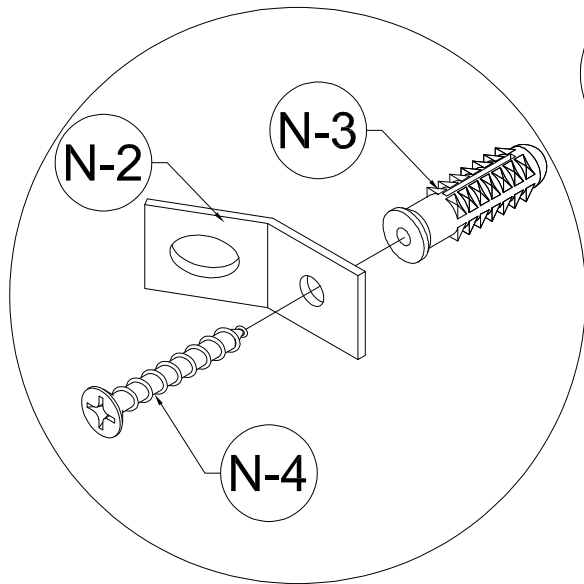
**STEP 18:** Following below illustration:

<b>M</b>

2pcs



# STEP 19: Following below illustration:

N-5	N-4	N-3	N-2
			
2pcs	2pcs	2pcs	4pcs

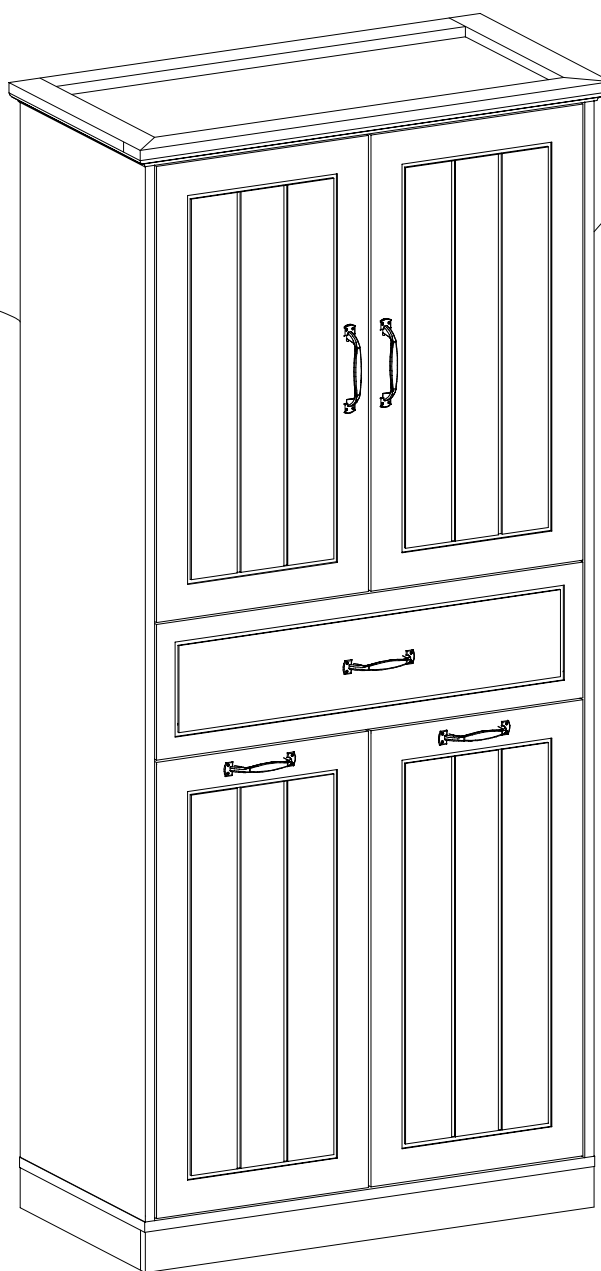
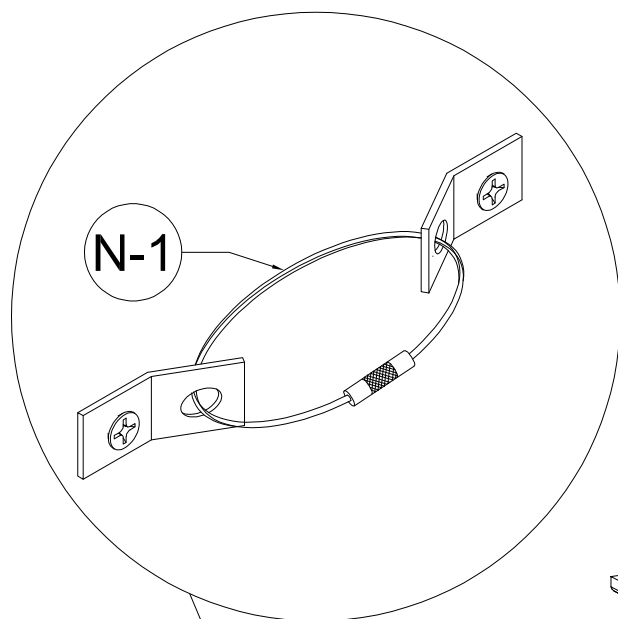


**STEP 20:** Following below illustration:

N-1



2pcs



# FINISH

---

