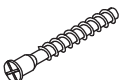
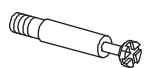




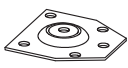
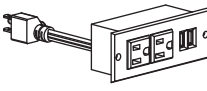


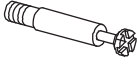

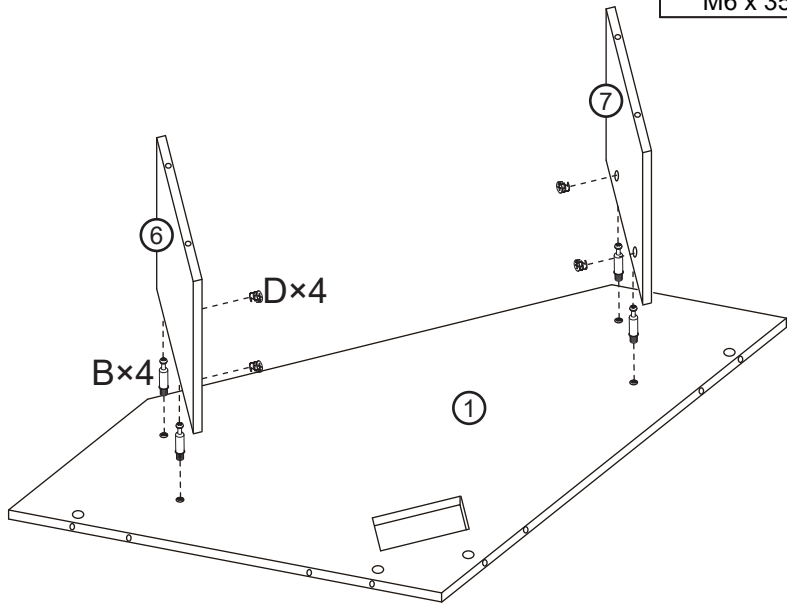


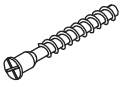
A×12PCS	B×18PCS	C×14PCS	D×18PCS	E×4PCS	F×17PCS
 Ø5×40mm	 M6 x 35mm	 Ø6×30mm	 Ø15×9mm		 Ø3.5×12mm
G×3PCS	H×1PC	I×1PC	J×1PC		
		 M4mm			

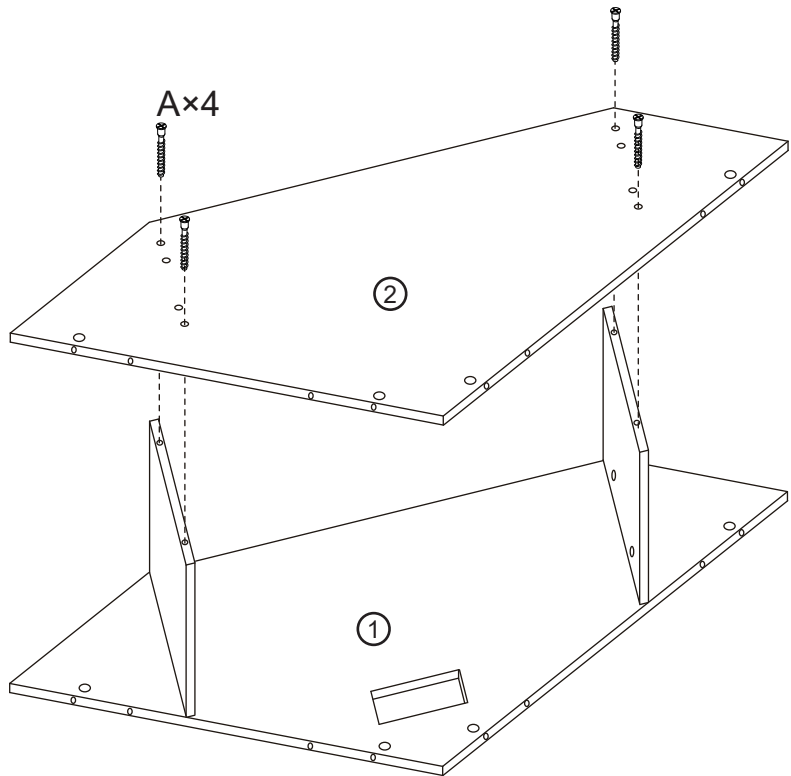
1.

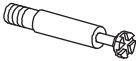


B×4PCS	D×4PCS
	
M6 x 35mm	Ø15×9mm



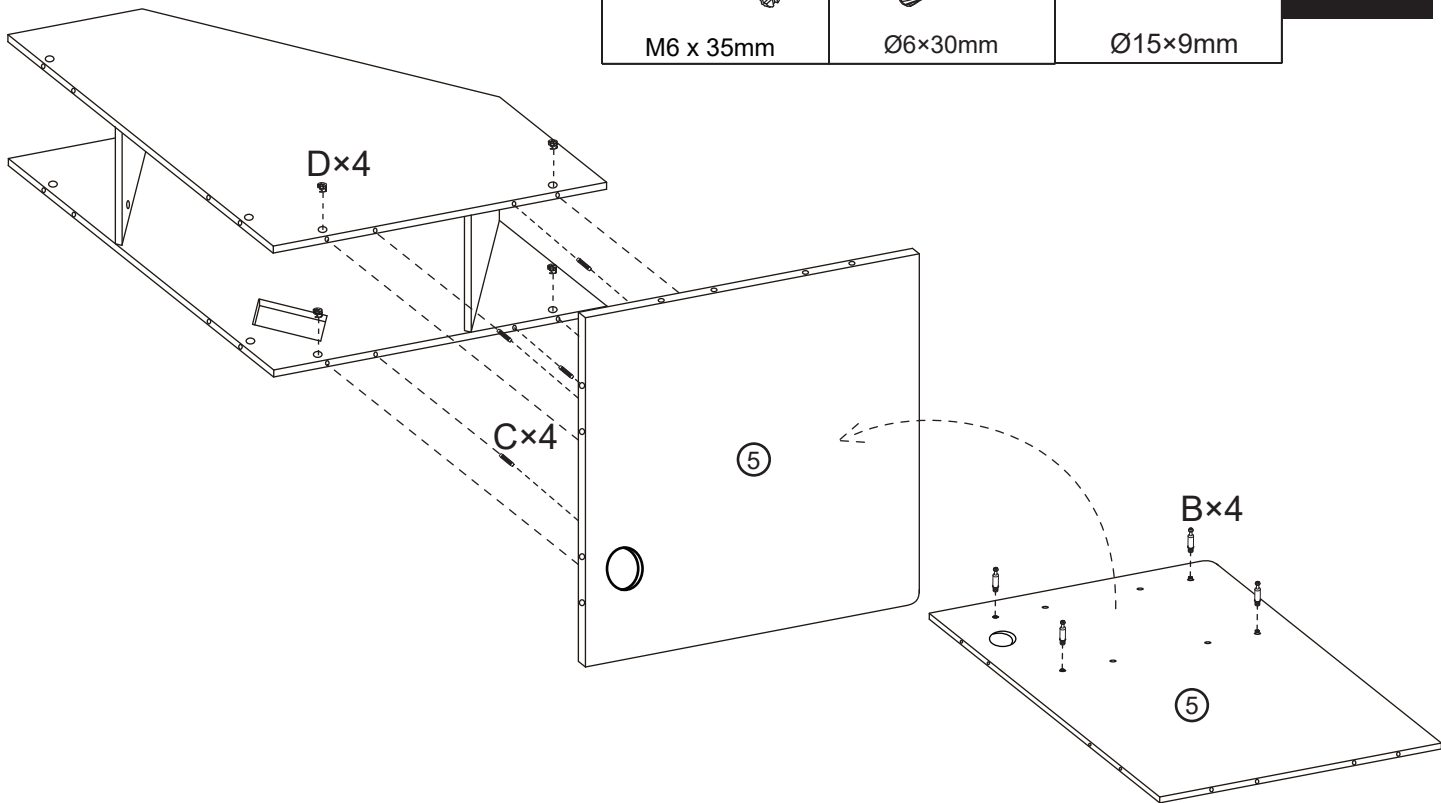
2.

A×4PCS

Ø5×40mm

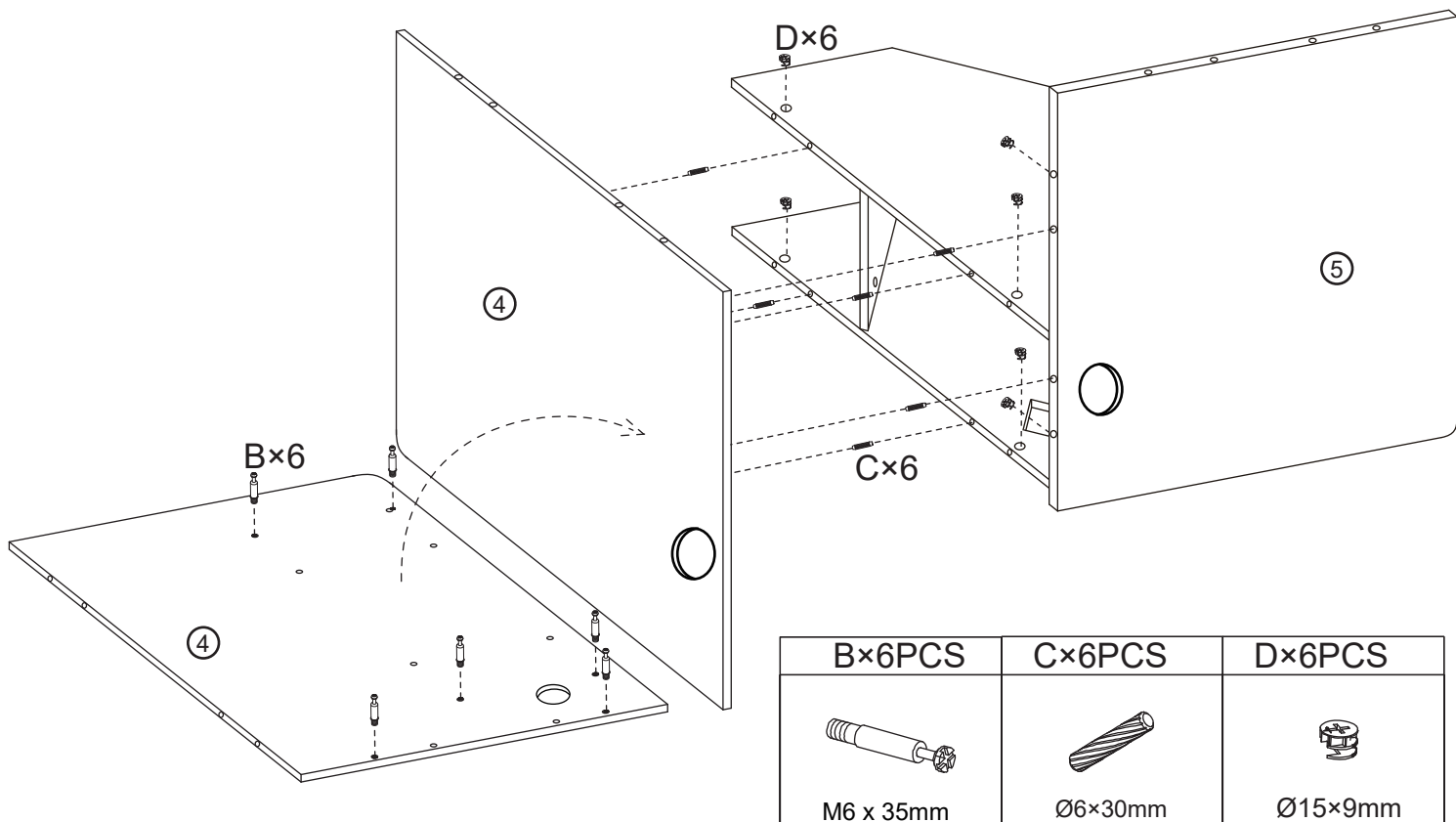


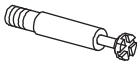


B×4PCS	C×4PCS	D×4PCS
		
M6 x 35mm	Ø6×30mm	Ø15×9mm

3.

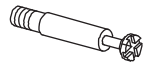



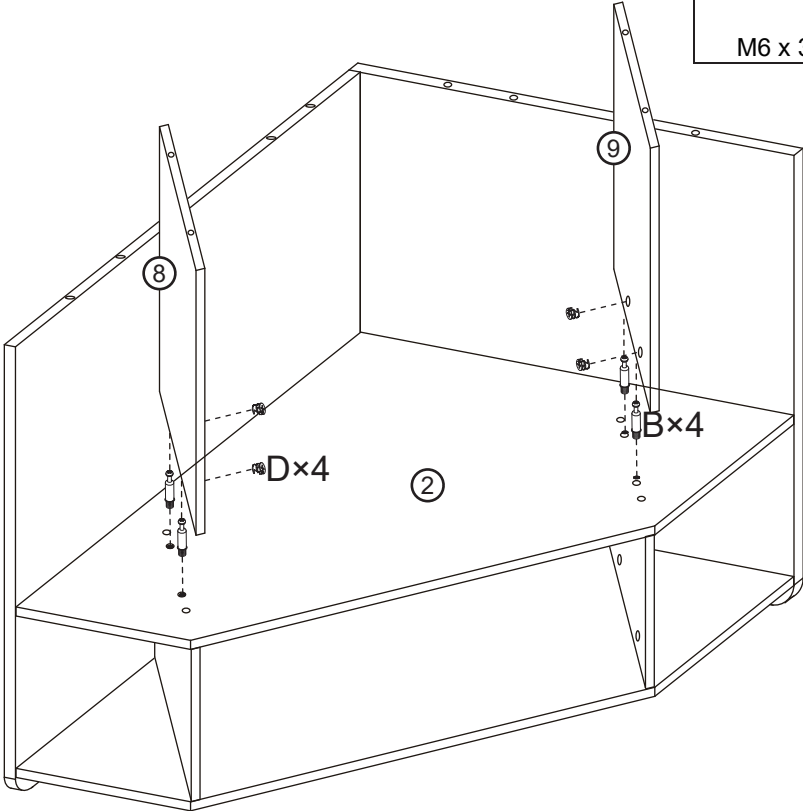
4.



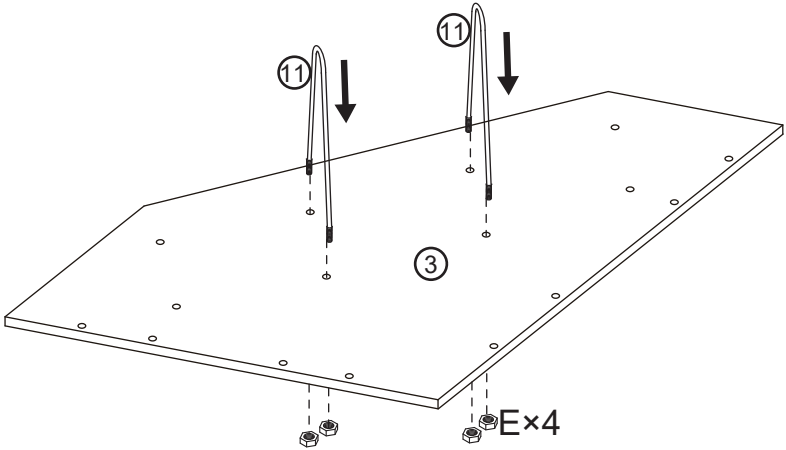
B×6PCS	C×6PCS	D×6PCS
		
M6 x 35mm	Ø6×30mm	Ø15×9mm


5.

B×4PCS	D×4PCS
	
M6 x 35mm	Ø15×9mm

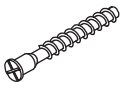



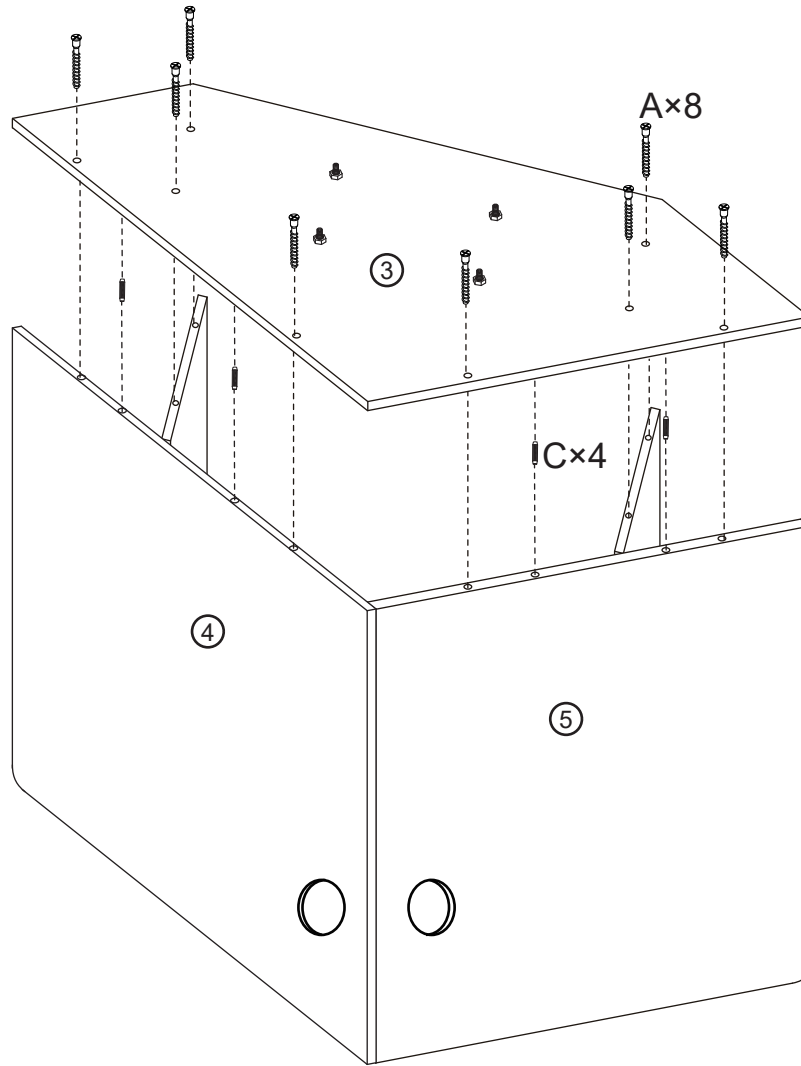
6.



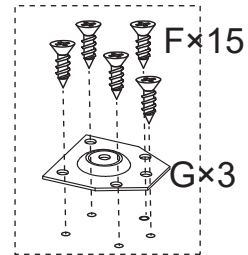
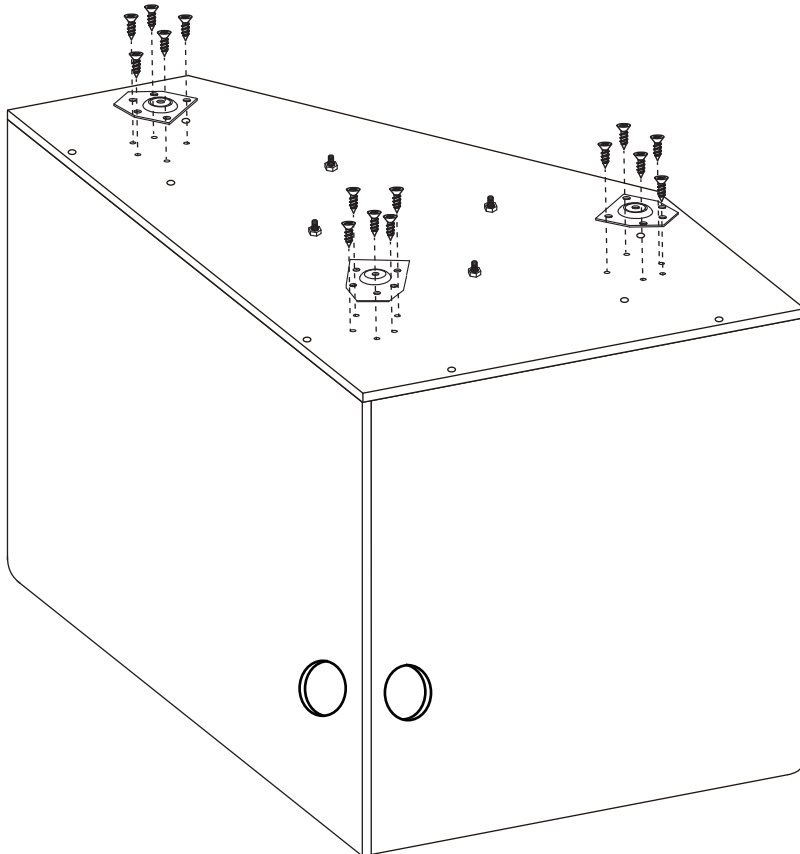
E×4PCS



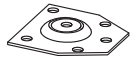
7.

A×8PCS

Ø5×40mm
C×4PCS

Ø6×30mm

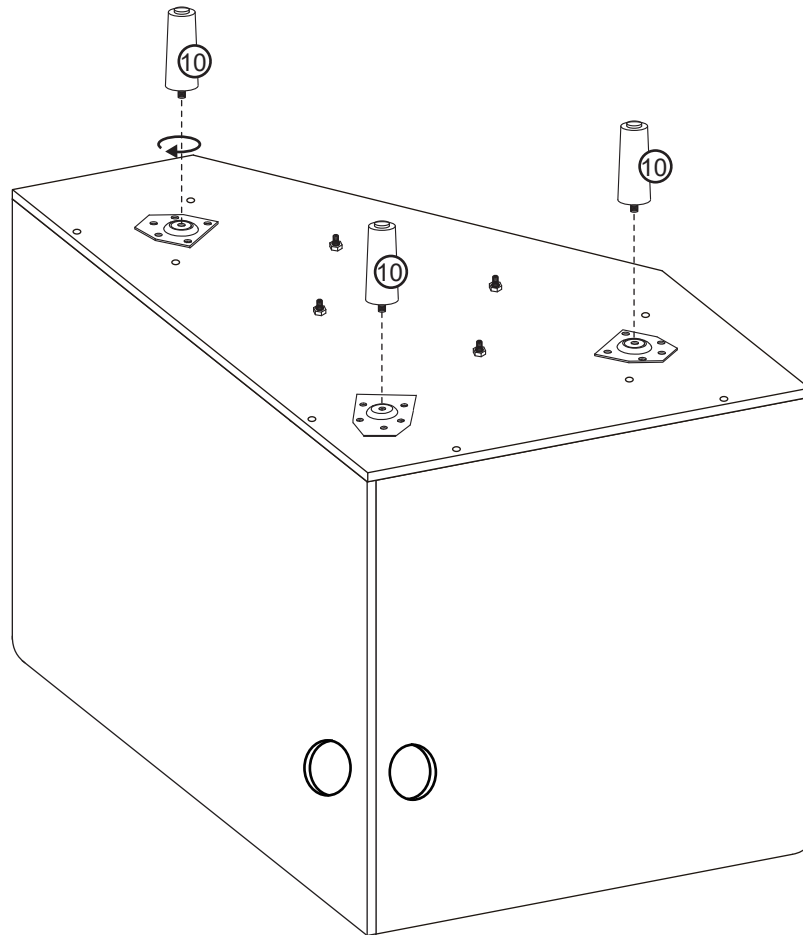


8.

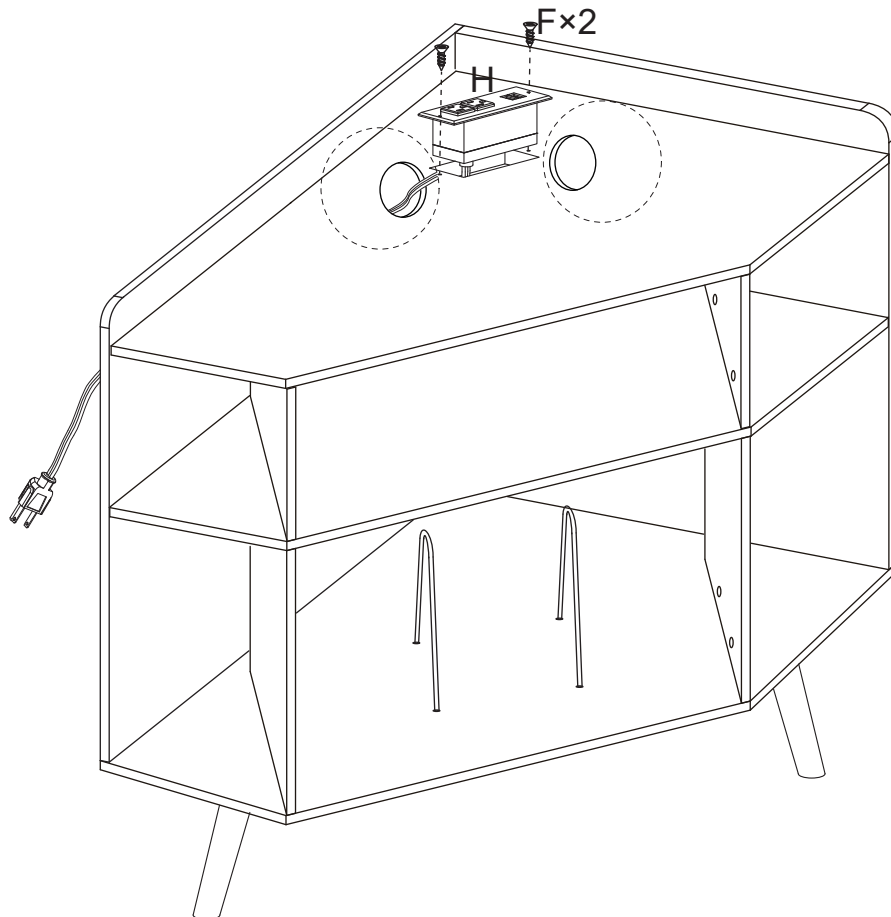


F×15PCS	G×3PCS
	
Ø3.5×12mm	

9.



10.



F×2PCS



Ø3.5×12mm

H×1PC

