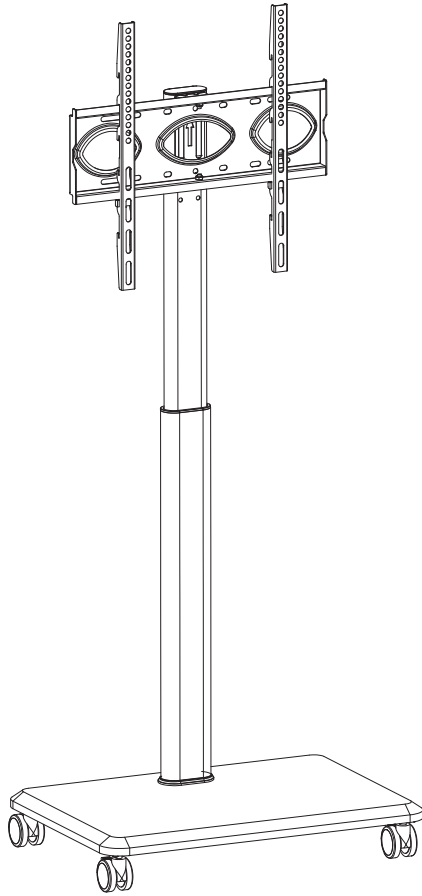


INSTALLATION NOTE MANUAL

Model No. **TF4003WHT**

Series No. **YL-2405A**



CUSTOMER SERVICE SUPPORTS

CONTINENTS

North America
US CA MX

Europe
UK DE FR IT ES

Asia
JP CN IN

CONTACT DETAILS

1 626 400 2997
(CST 8AM - 5PM Mon.-Fri.)

MAILBOX

cs@rfiver.com

eucs@rfiver.com

jpcs@rfiver.com

**TV Weight Limit:
DO NOT EXCEED**



NOTE: The difference in appearance between TV Mount will not affect the assembly and usage.

THANK YOU FOR PURCHASING

SERVICE CARD

We strive to make sure each piece of furniture you receive is perfect and that all parts and hardware in the parts list are included in your package.

However, if there are any missing or damaged parts, please do not return your product to the place of purchase. Instead, please contact us. We will do our best to solve your problem and send the replacement parts to you as soon as possible from our local customer service center.

• **Please have the following information ready when you contact us. Your detailed information will help us to bring you much more effective service. Thank you for understanding.**

1. **Order ID.** - Found in your order details of the online shopping platform you used when purchasing
2. **Model No.** - Found in the upper right corner of the manual cover, or use the SKU no. in the order details
3. **Series No.** - Found in the upper right corner of the manual cover
4. **Statement of the Problem:** Please advise us specifically of the problem you are encountering so that we can offer correct solutions.

NOTICE



Please read this assembly manual carefully and make sure you have all the parts in the list before you begin to install. Meanwhile, please keep this assembly manual for future reference.



Please move the furniture gently with **2** persons.



Please protect the furniture by placing all parts on a soft surface during assembly.



Please don't place very warm/cold objects on top of any surface, clean immediately with microfiber cleaning cloths/towels if any liquids are left on the surface. Never use multi-surface furniture polish spray or cleaner. Do not touch the surface with a hard/sharp object that may cause scratches or broken.



Adult supervision required.
Keep little parts of furniture far away from the children.

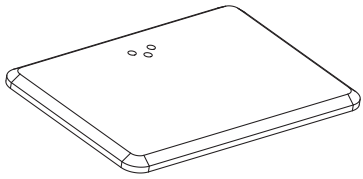
Do not allow children to climb onto the furniture. Improper use or incorrect assembly may cause death or serious injury. Use extra safety straps to ensure the best tip-over protection.

Do not use this product for any purpose or in any configuration not explicitly specified in this instruction.

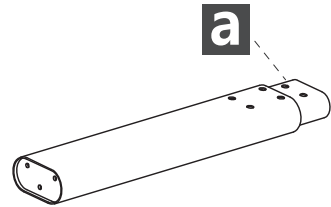
We hereby disclaim any liability for injury or damage arising from incorrect assembly, incorrect mounting, or incorrect use of this product.

PARTS LIST

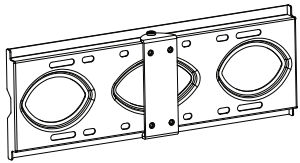
1 x1



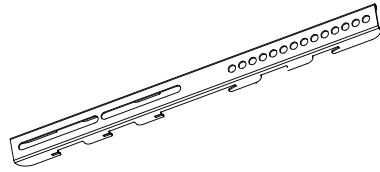
2 x1



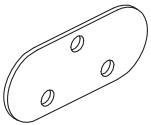
3 x1



4 x2

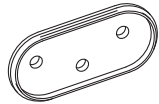


5 x1



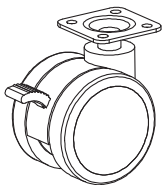
(steel washer)

6 x1

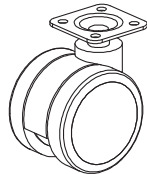


(plastic)

7 x2

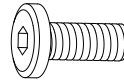


8 x2

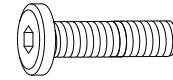


PARTS LIST

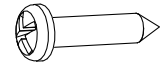
A x4



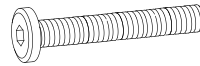
B x3



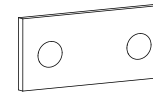
C x16



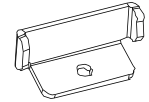
D1 x4



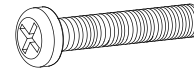
D2 x2



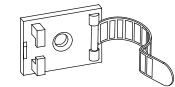
E1 x2



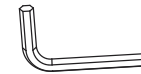
E2 x2



F x2



G1 x1



(4mm)

G2 x1

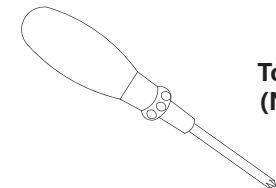


(5mm)

S

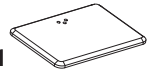






Screws for TV

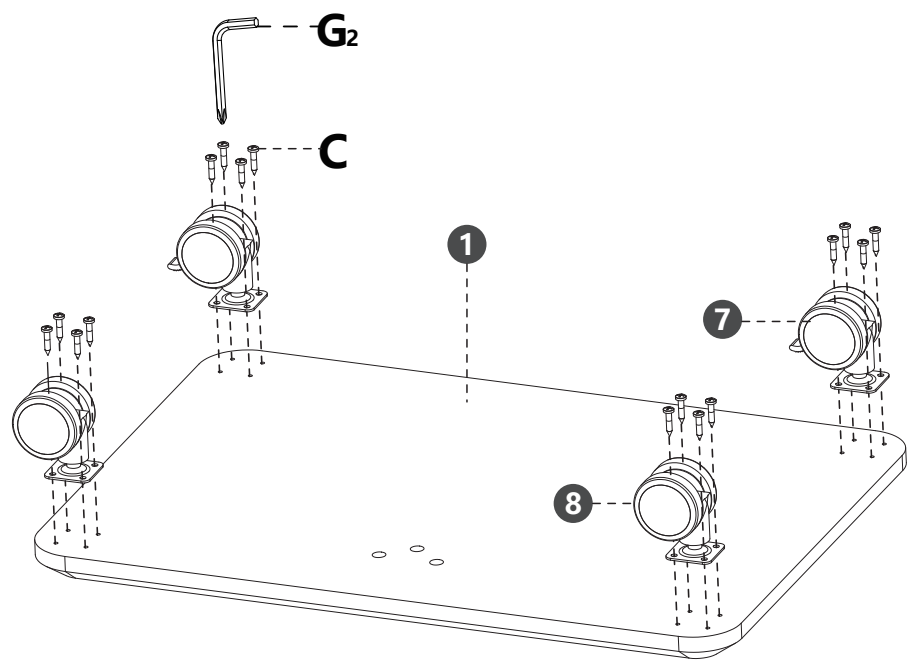


**Tools Required
(Not included)**


1

- 1** x1 
- 8** x2 
- C** x16 
- 7** x2 
- G₂** x1 

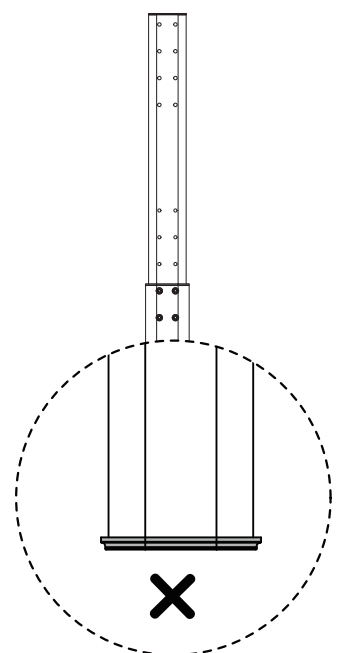
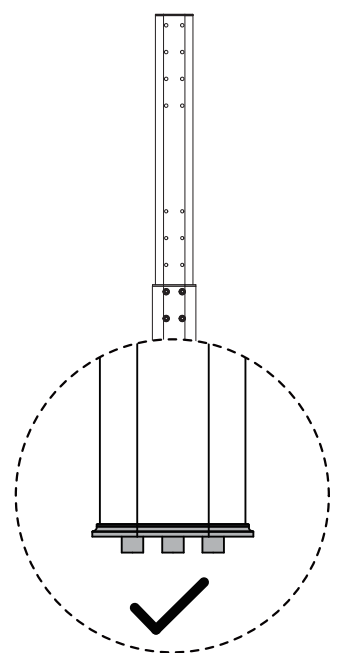
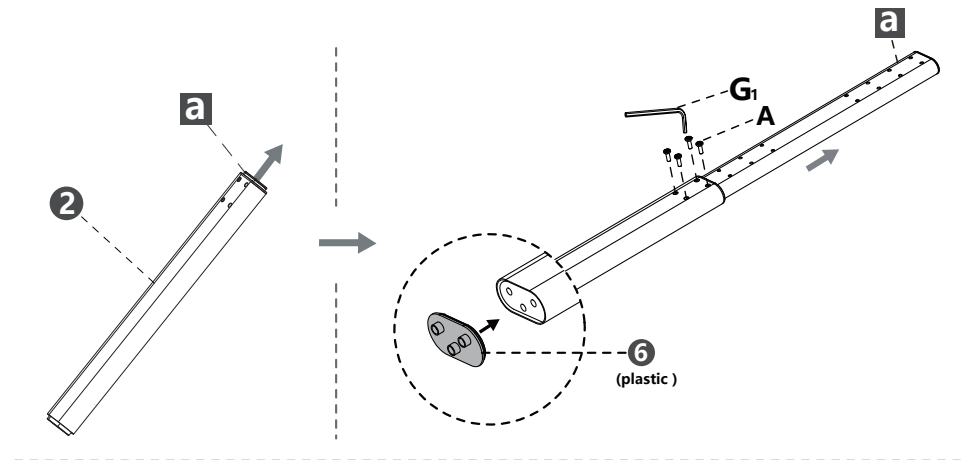
Please do not fully tighten before screwing into the right holes.



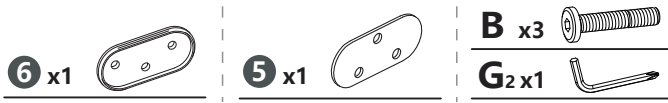
2

- 2** x1 
- A** x8 
- 6** x1 
- G₁** x1 

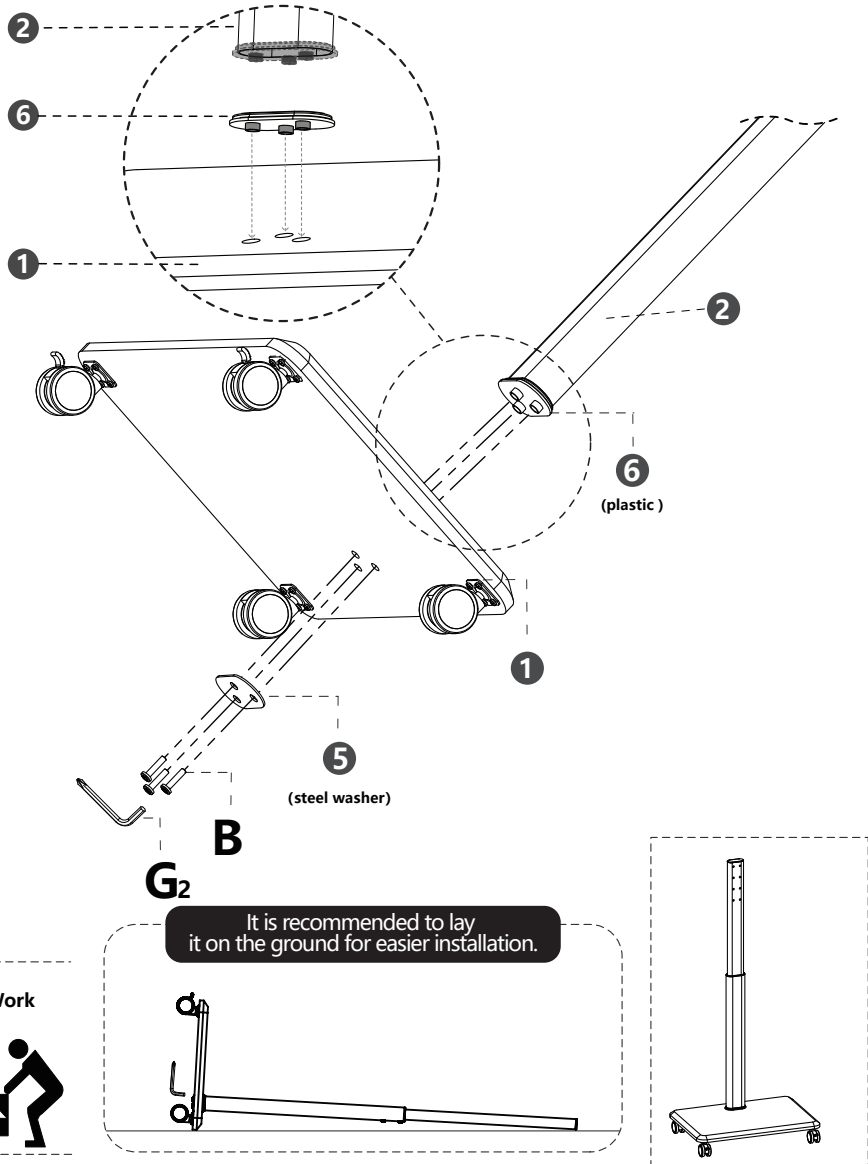
Pull out the inner metal pole **a** from part **2**.



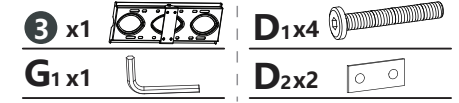
3



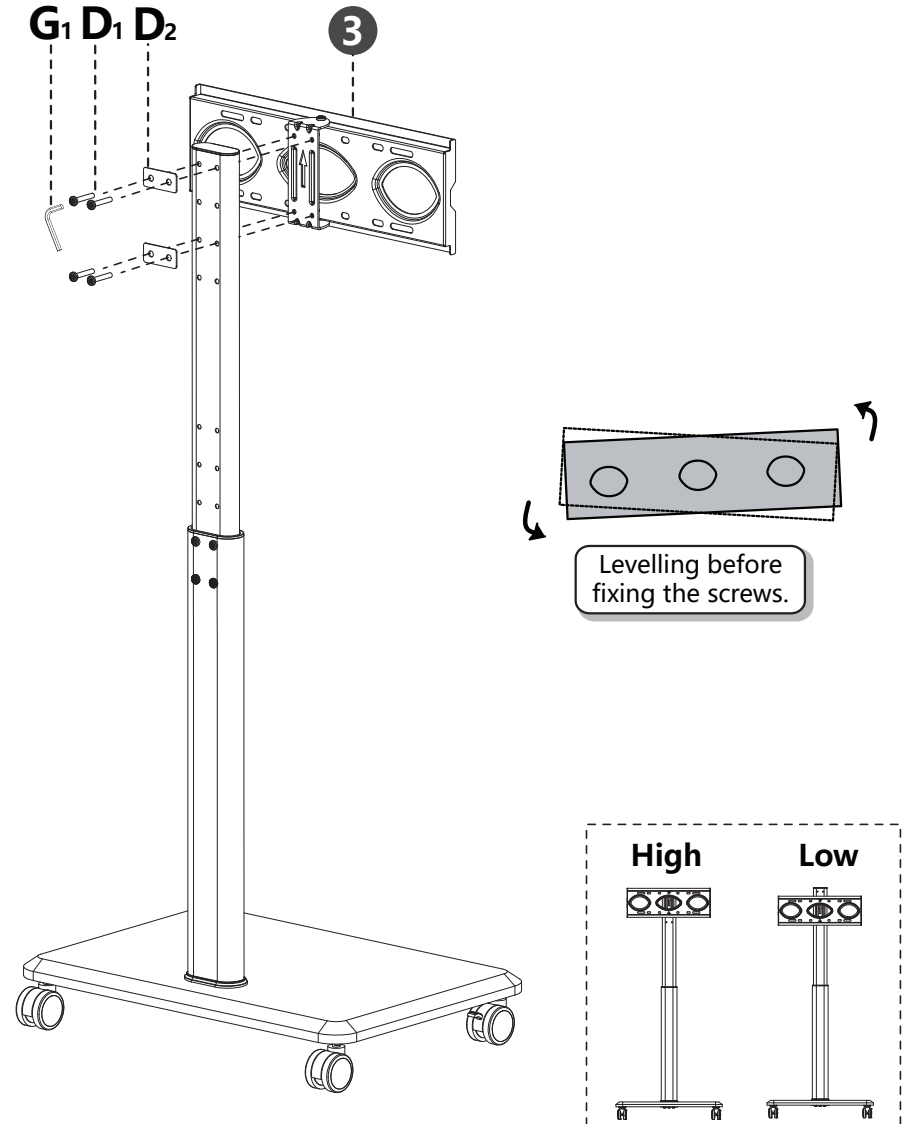
1. Please do not fully tighten before screwing into the right holes.
2. The three protrusions of part 6 are assembled towards part 1.



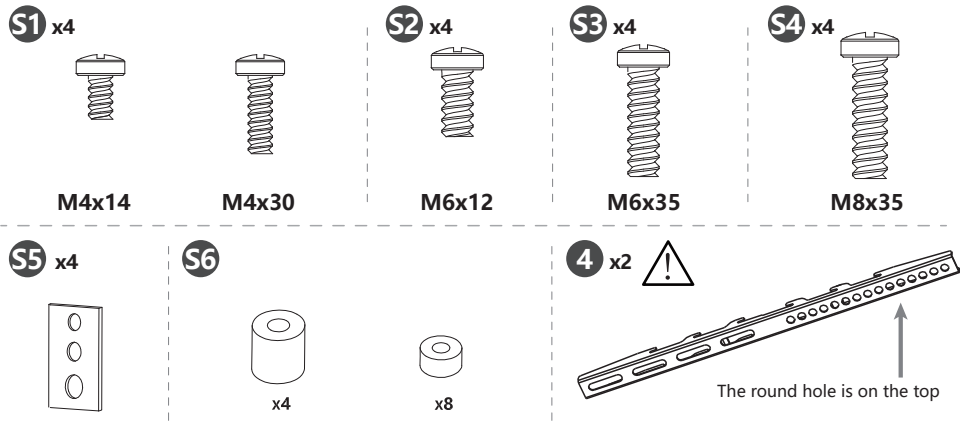
4



- Please do not fully tighten before screwing into the right holes.

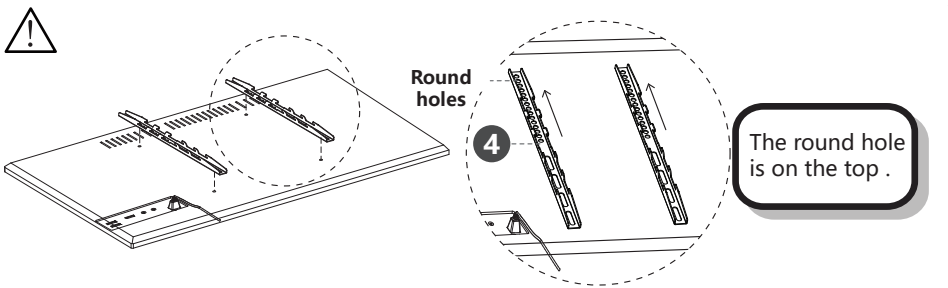
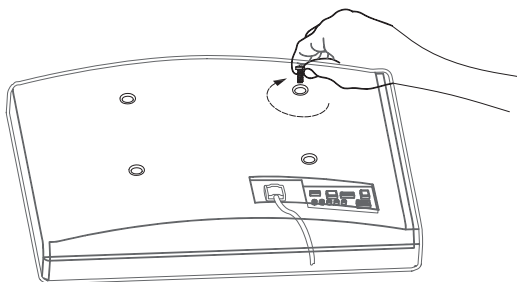
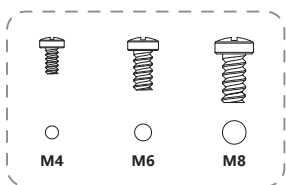


5



STEP 1 Select TV Screw Diameter

Please make sure the diameter of the screw **S1-S4** are suitable for your TV.



STEP 2

Measure VESA For Your TV

1. What does the VESA standard mean?

The VESA standard is a standard for attaching flat screens / LCD / monitors / televisions to monitor mounts or TV mounts.

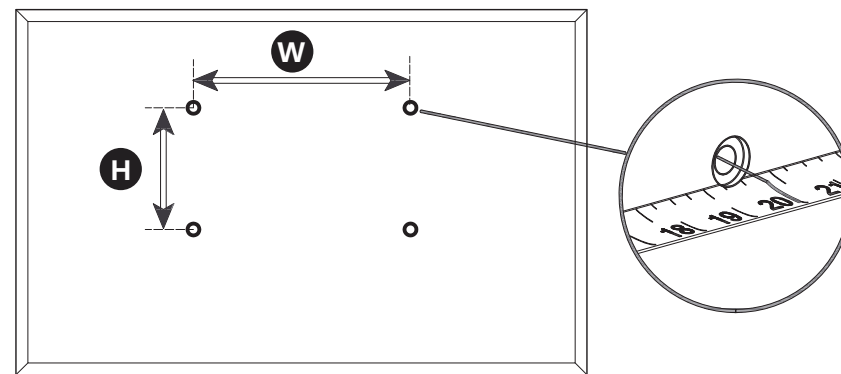
Prerequisite is that both the monitor / TV and the monitor mount have the same VESA standard.

2. Look at the back of your TV/monitor for threaded holes.

Measure the horizontal distance **W** and vertical distance **H** of the screw holes (center to center).

W x **H** should comply with the VESA standard of TV stand listed in below sheet.

Notice: If the TV/monitor is not compatible with VESA, it can still be attached to the desired bracket by using VESA Adapters(not included and should be purchased separately).



TV

Units: mm

Units: inch

W	x	H	
100	x	100	✓
200	x	100	✓
200	x	200	✓
300	x	200	✓
300	x	300	✓
400	x	300	✓
400	x	200	✓
400	x	400	✓

W	x	H	
4.0	x	4.0	✓
7.9	x	4.0	✓
7.9	x	7.9	✓
11.8	x	7.9	✓
11.8	x	11.8	✓
15.7	x	11.8	✓
15.7	x	7.9	✓
15.7	x	15.7	✓

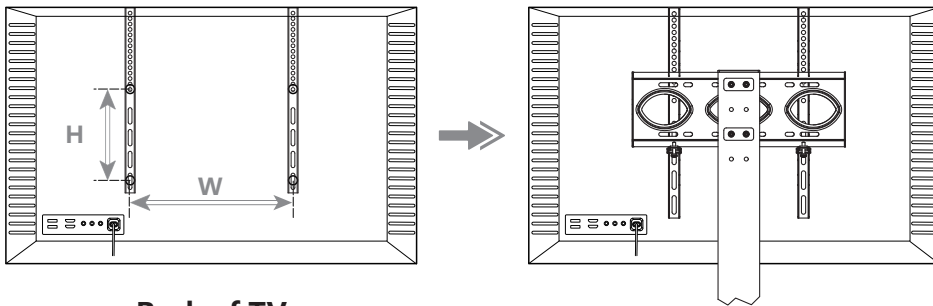
VESA standard of TV STAND

STEP 3

Holes Selection of Brackets

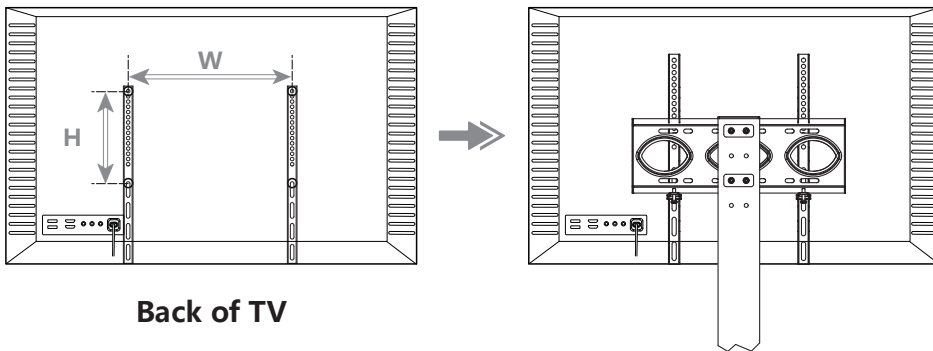
When H is shorter than 400mm, different TV heights can be set based on bracket hole positions, as shown in the following figure.

Choose the lower holes to lower the TV height



Back of TV

Choose the upper holes to higher the TV height

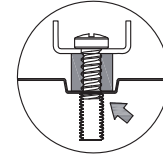


Back of TV

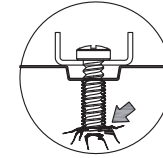
STEP 4

Select TV Screw Length

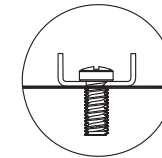
When attaching brackets to the TV, be careful not to over tighten screws and be sure that screws don't bottom out in the mounting holes. Please make sure the length of thread engagement at least 6 turns or 5/16 inch (8mm).



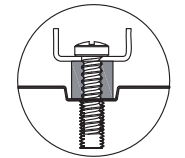
⊗ Too Short



⊗ Too long



✓ Correct

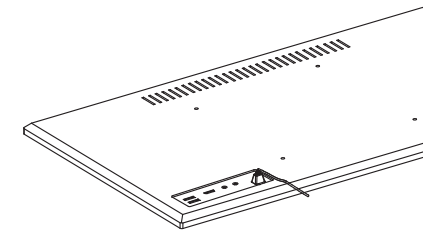


✓ Correct

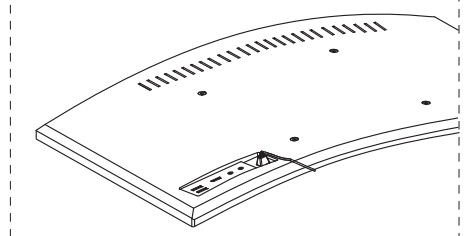
STEP 5

Select installation method according to TV

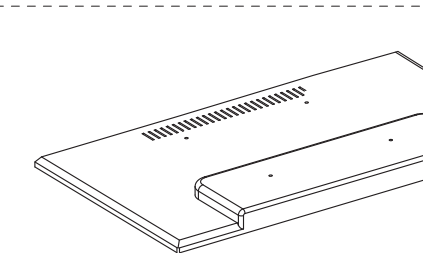
⚠ Please confirm the style of the TV backplane before installation and select the corresponding installation method



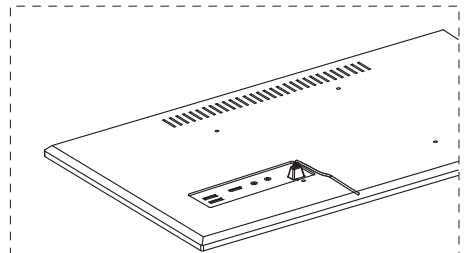
For flat back TV,
please choose "Option 1"



For round back TV or Curved TV,
please choose "Option 2"

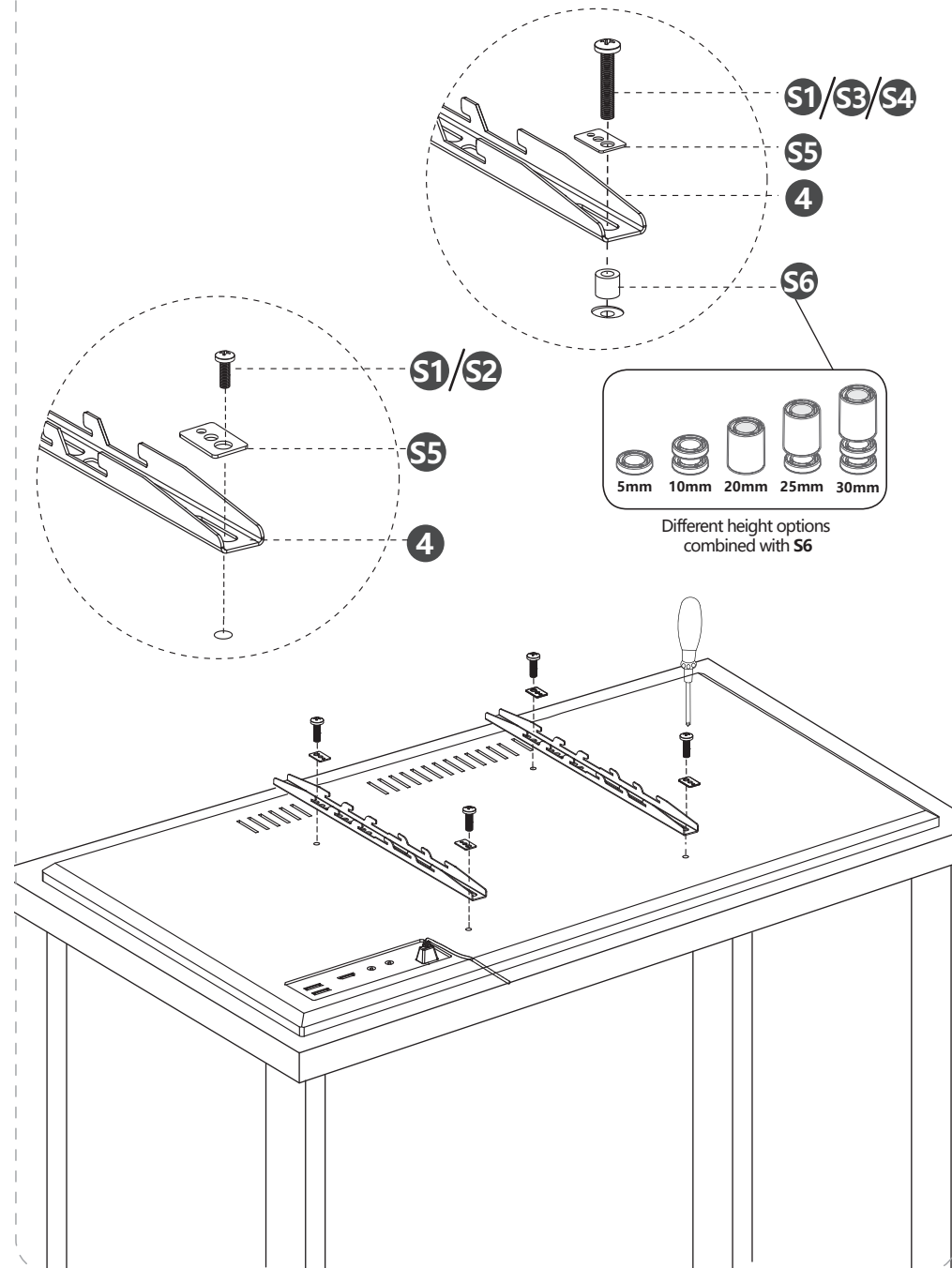


For TV with A "Bump",
please choose "Option 3"

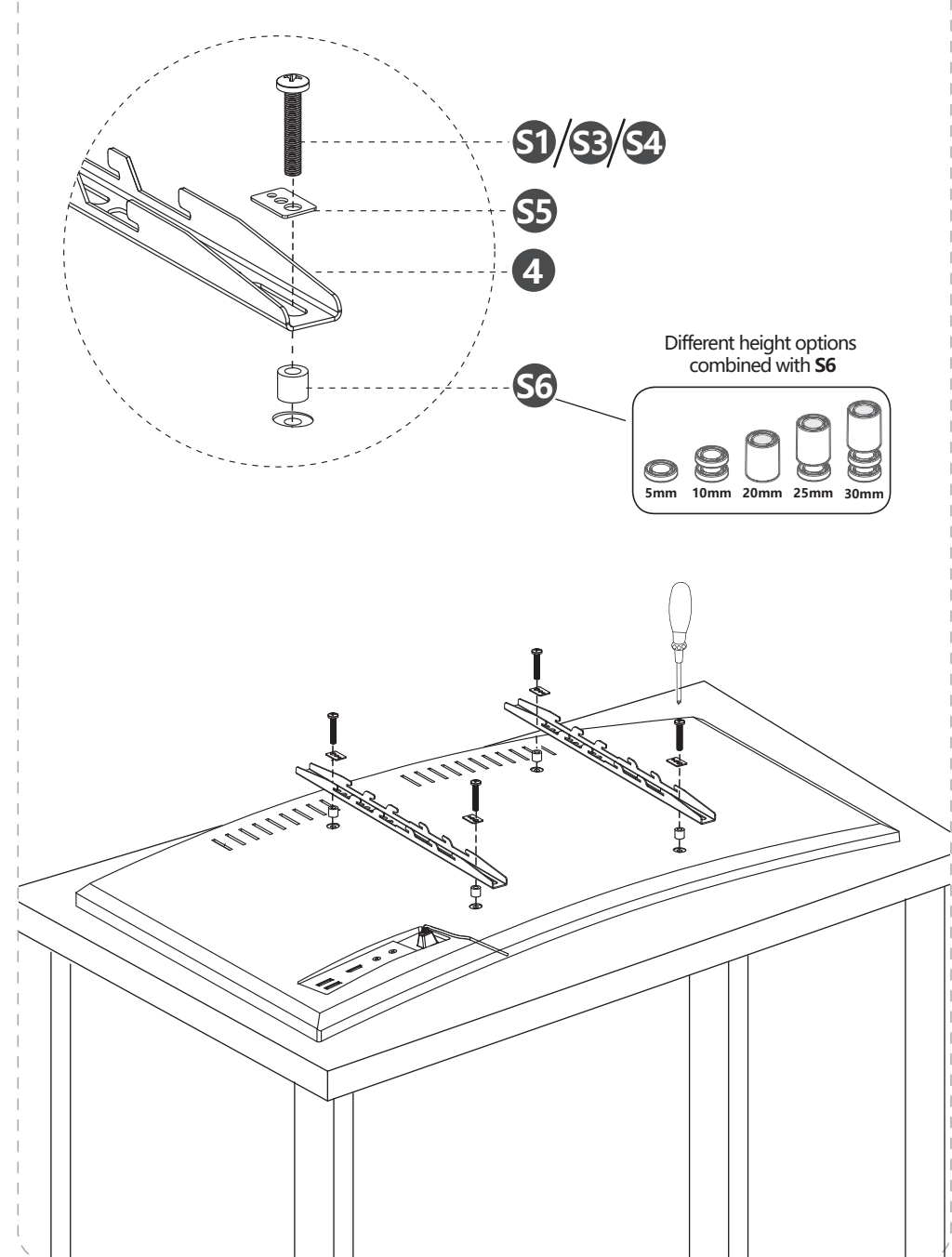


For potential cable blockage,
please choose "Option 4"

Option 1 (For Flat Back TV)

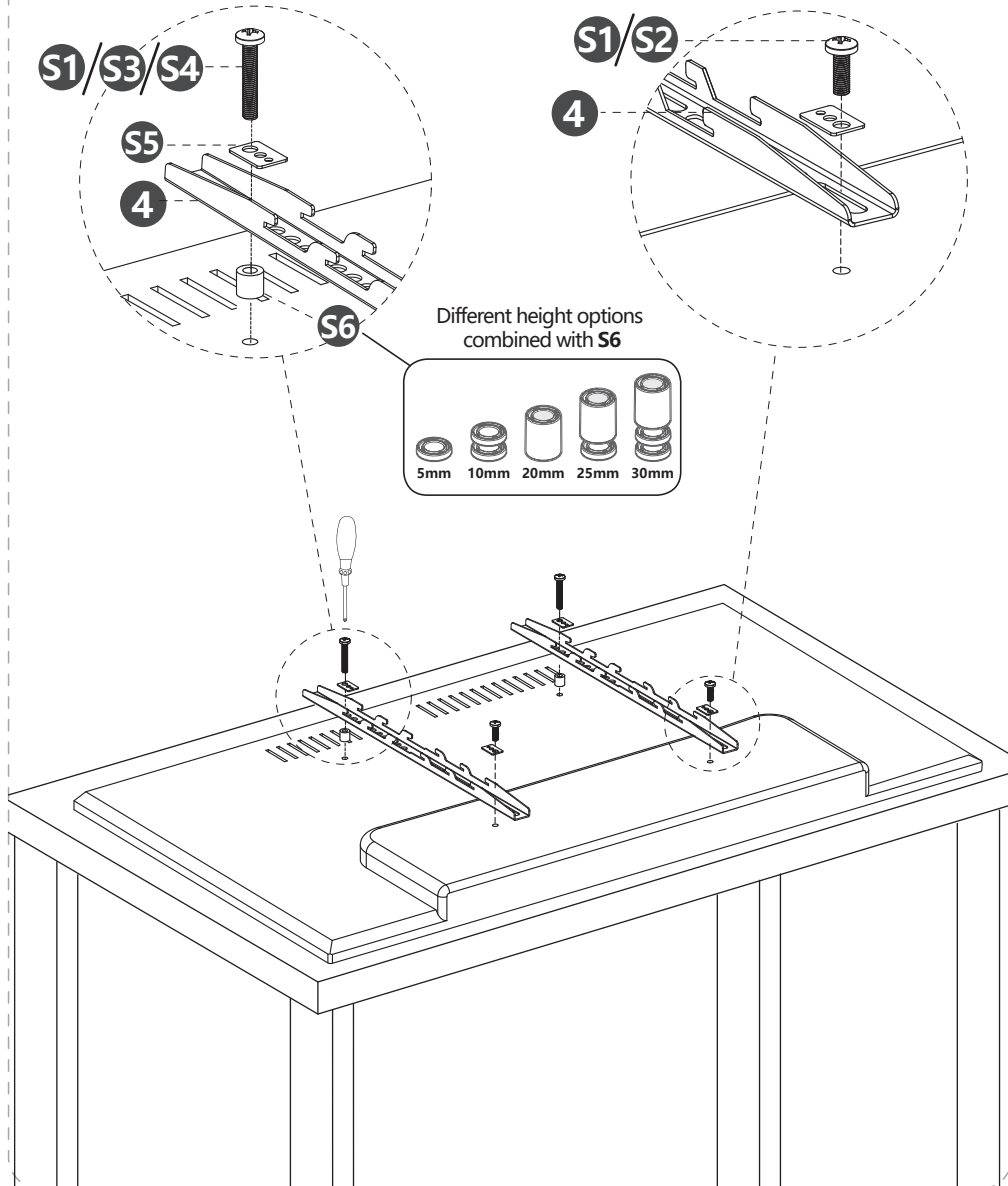


Option 2 (For Round Back TV or Curved TV)



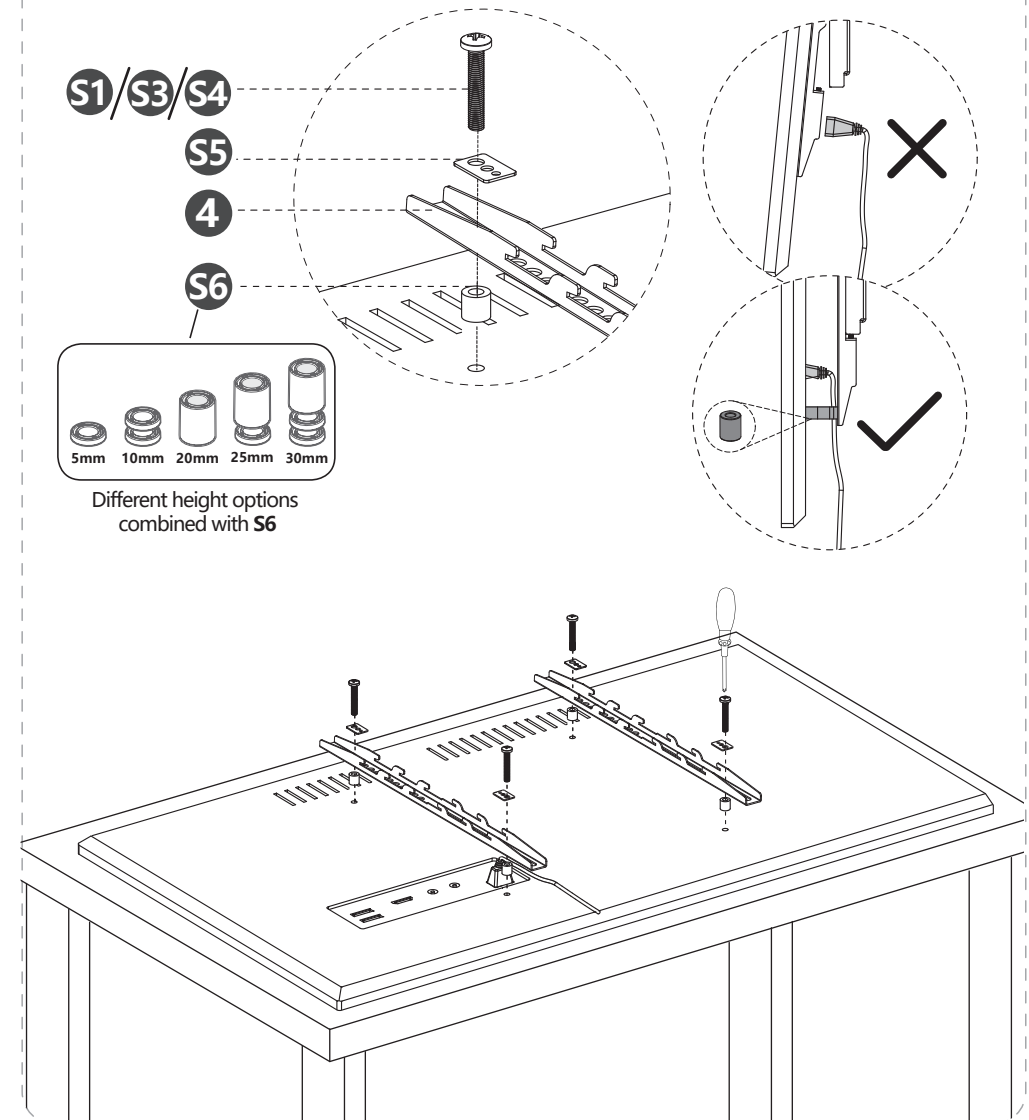
Option 3 (For TV with A "Bump")

Spacers may be necessary for 2 holes ONLY.



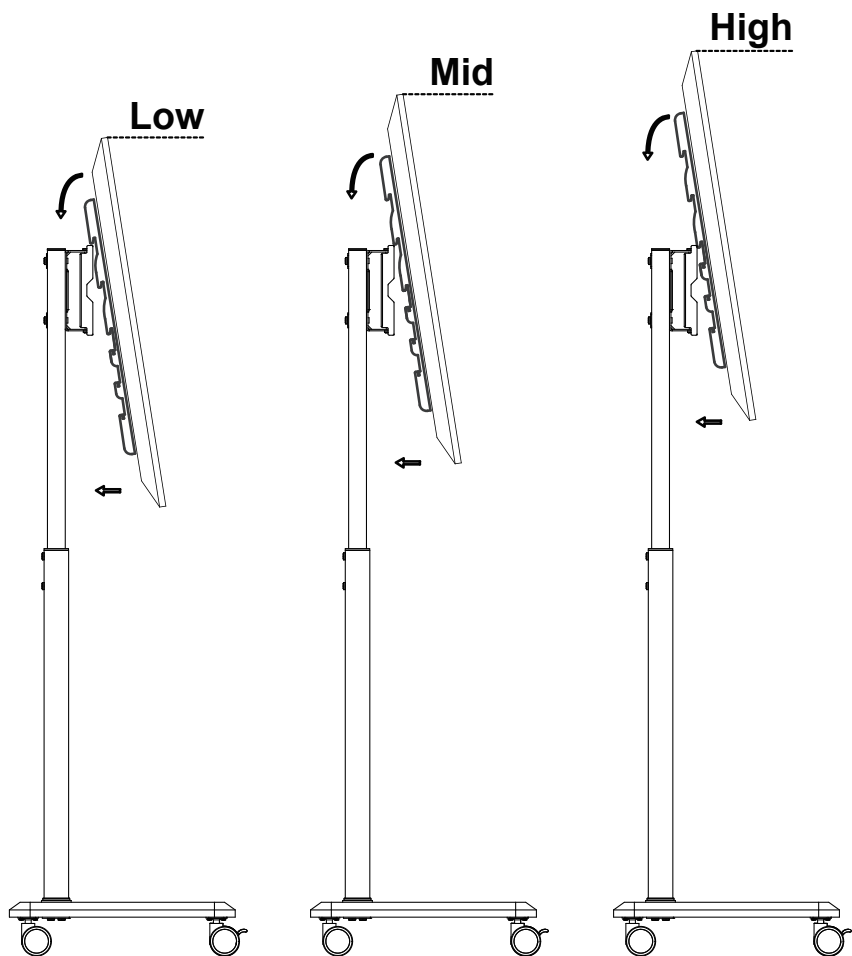
Option 4 (Potential Cable Blockage)

Spacers may be necessary when cables or plug/outlets are blocked by brackets.


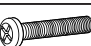


6

Attach your TV to TV plate ③, select the best height by yourself.

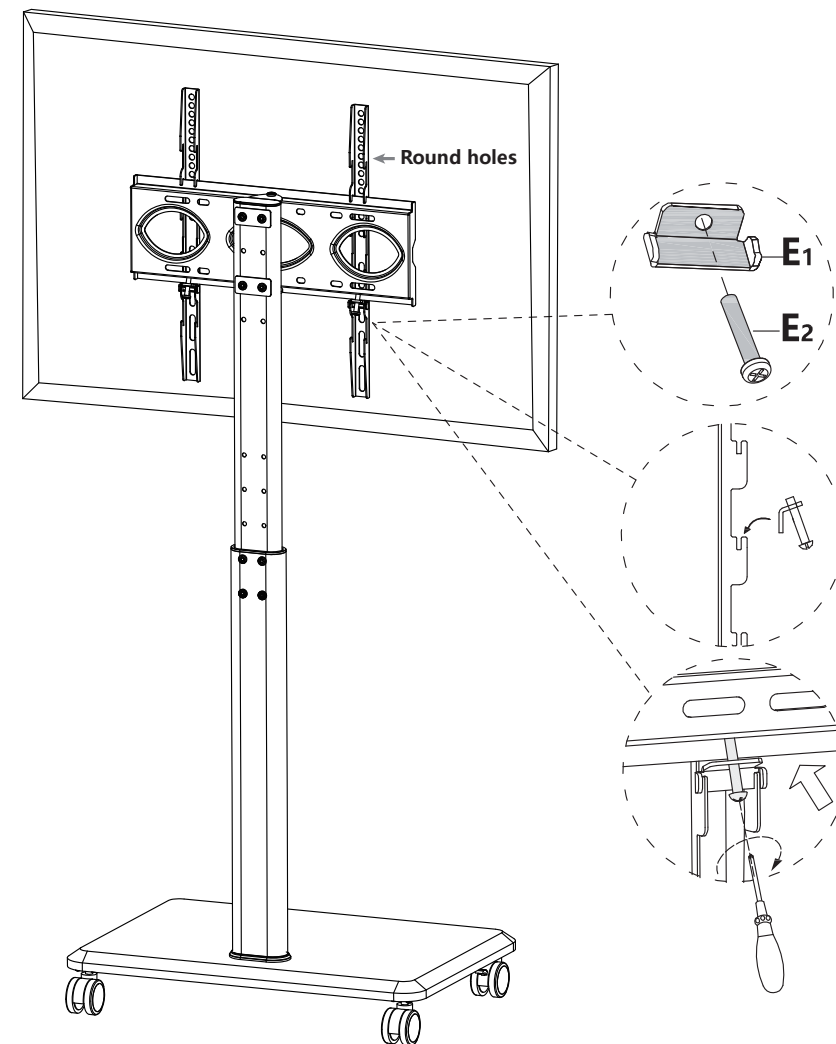


7

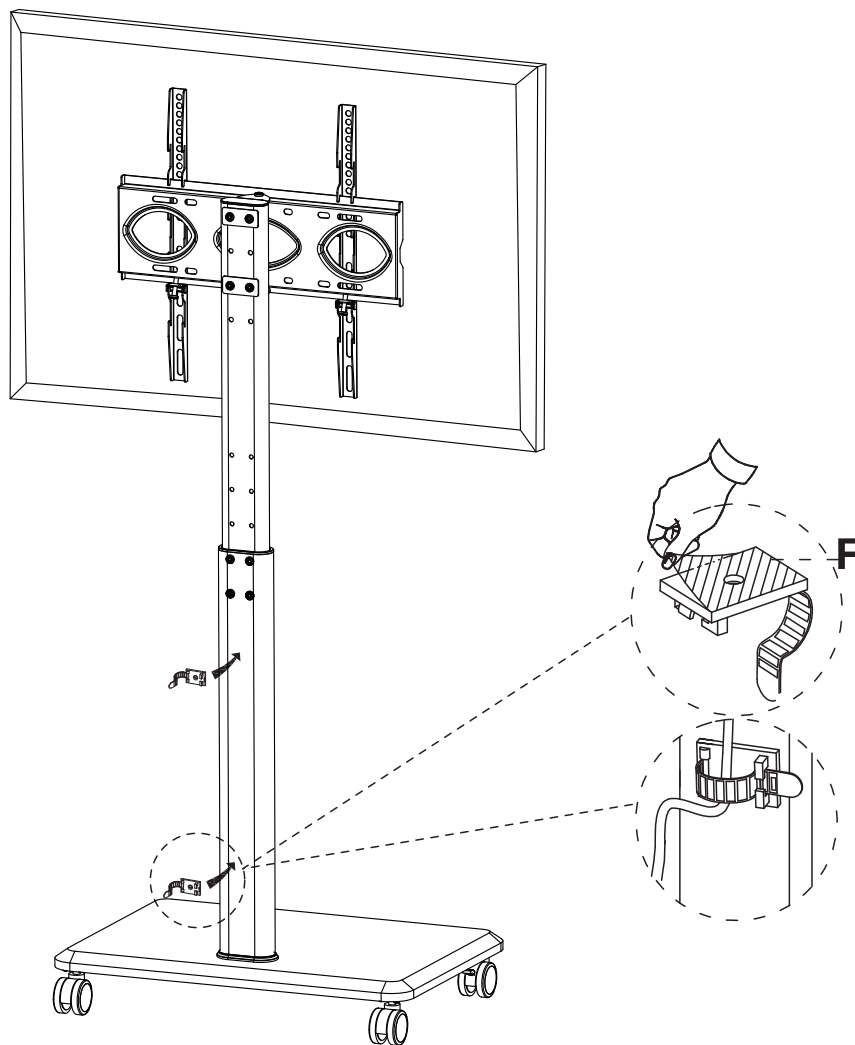
E₁ x2 
E₂ x2 

Insert Safety lock E₁ and E₂ in the bottom of brackets ④ and tighten the screws E₂, Please lock your TV before using.

Notice: Please don't over tighten the screw E₂, overtighten may cause E₁ broken.

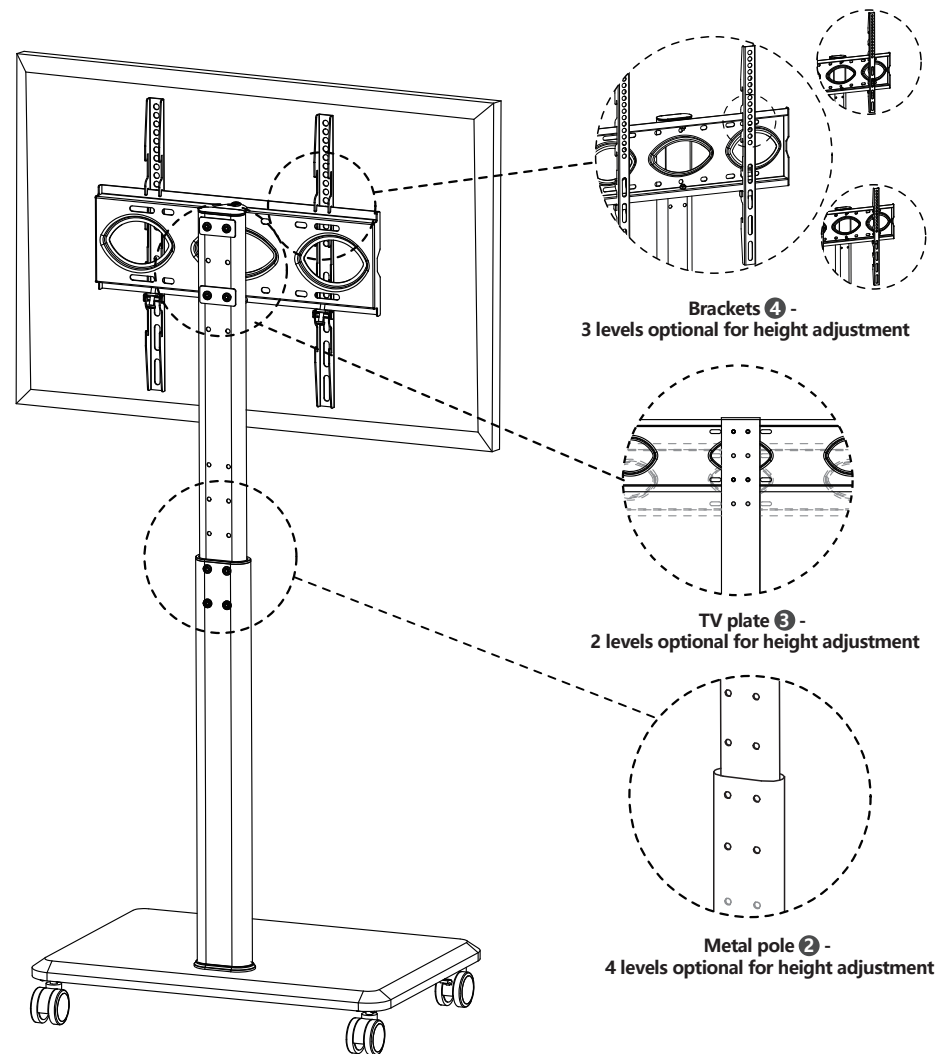


Cable management clips **F** let you easily organize power and AV cords to keep neat.



Stand Height Adjustment - Metal Pole/ TV Plate/Brackets

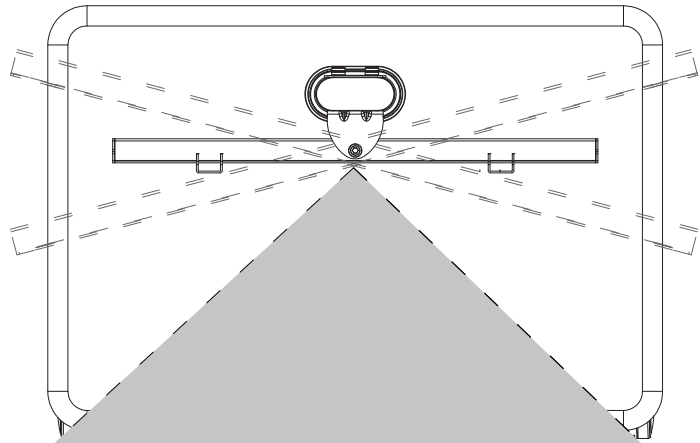
1. Please take off the TV from the stand then select the proper height you need.
2. Each level adjustment distance in metal pole / TV plate / bracket is 50 mm (2 inch).
3. Attach the TV to the TV plate **3** again and tighten the safety screws **E₂** on the bottom of brackets to secure the TV to the stand.



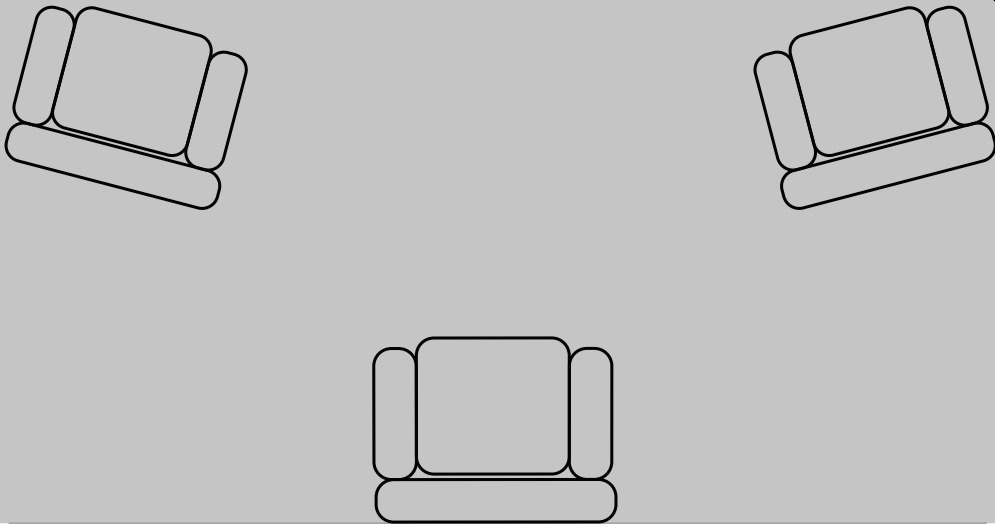
View Angle Adjustment

TV plate ③ can swivel left and right 30 degrees in each side to provide you a wide-range viewing angles when watch the TV.

Notice - Swivel function is manual not automatic.
Base is not turntable.



Swivel: $\pm 30^\circ$

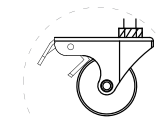
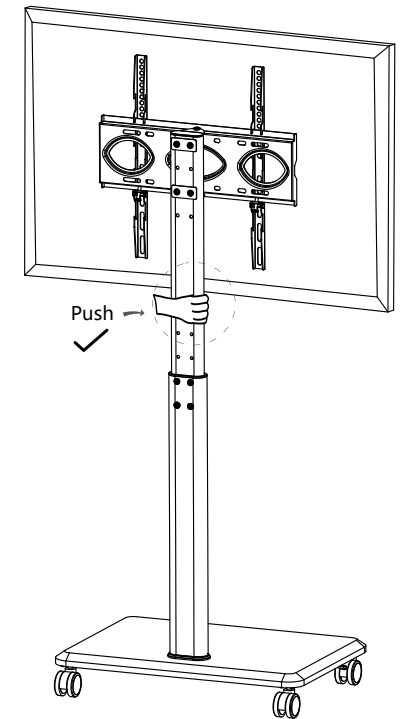
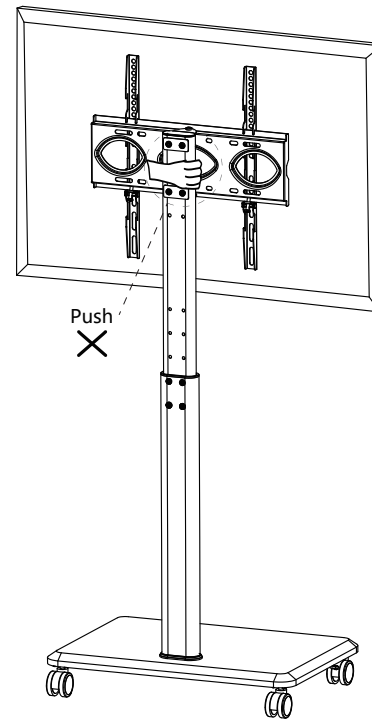


EASILY MOVE

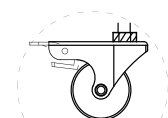
You can move the stand around easily, please make sure all wheels are unlocked during the movement, and make sure your hand is on reasonable position as below shown to avoid wrong operation that result the stand falling over.

Please take off the TV and devices if you need to move the stand for long distances.

Please don't move this stand on the carpet or unlevel ground.



× Locked



✓ Unlocked