

INSTALLATION INSTRUCTIONS CARE AND MAINTENANCE

*American
Standard*

Low Profile Studio® S Toilet Model 2548A - Elongated, Right Height® with Seat

Thank you for selecting American Standard - the benchmark of fine quality for over 140 years. To ensure this product is installed properly, please read these instructions carefully before you begin. (Certain installations may require professional help.) Also be sure your installation conforms to local codes.

⚠ CAUTION: PRODUCT IS FRAGILE. TO AVOID BREAKAGE AND POSSIBLE INJURY HANDLE WITH CARE!
NOTE: Pictures may not exactly define contour of china and components.

RECOMMENDED TOOLS AND MATERIALS

Putty Knife Regular Screwdriver Adjustable Wrench
Hacksaw Wax Ring/Gasket Closet Bolts
Sealant Tape Measure Carpenters Level

ITEMS INCLUDED

x1 T-Handle
x2 T-Bolt Nuts

20" x 1/2" Flexible Supply Hose for outside and inside installation of toilet supply line.

Standard 1/2" Supply valve for outside toilet installation or 1/2" 1/4-1/2 turn compact supply valve for behind or hidden supply line installation.

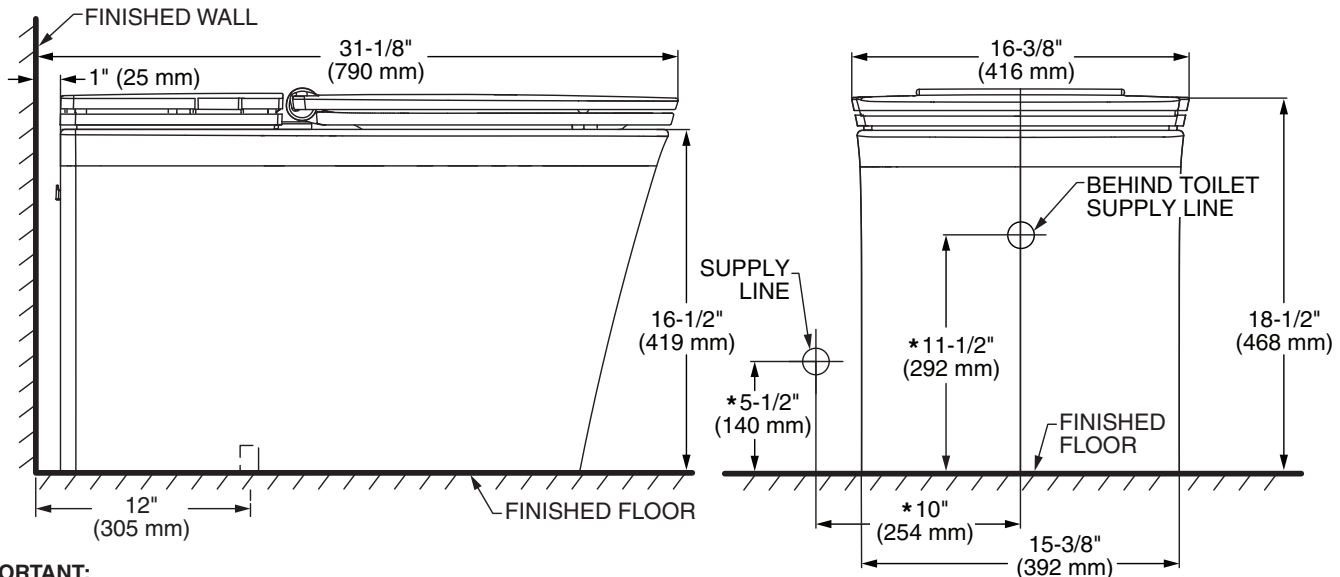
1 REMOVE OLD TOILET

- Close toilet supply valve and flush tank completely. Towel or sponge remaining water from tank and bowl.
- Disconnect and remove supply line. NOTE: *If replacing valve, first shut off main water supply!*
- Remove old mounting hardware, remove toilet and plug floor waste opening to prevent escaping sewer gases.
- Remove closet bolts from flange and clean away old wax, putty, etc. from base area.

NOTE: Mounting surface must be clean and level **before** new toilet is installed!
Two water supply line locations are suggested with this toilet, outside of toilet or behind toilet locations.
Water supply valve will need to be relocated. Refer to roughin for water supply locations suggested.

2 ROUGHING-IN DIMENSIONS:

NOTE: Distance from wall to closet flange centerline must be as listed below:



IMPORTANT:

Water supply on the wall is required at **10" (254mm) minimum** from centerline of the toilet. See rough-in for outside toilet supply line installation. For behind toilet or hidden supply line installation, install supply at centerline of toilet 11-1/2" (292mm) above finished floor using 'compact' 1/2" 1/4 to 1/2 turn shutoff valve.

NOTE: Depending upon the compact 1/4 turn supply valve purchased, ensure it will correctly fit and operate at the location behind the trap way inside the toilet!

Check your supply and hose dimensions. Requires a 1/2" (13mm) Supply Valve and Hose.

The geometry of the toilet gives space for these 2 supply line installation locations.

SAVE FOR FUTURE USE



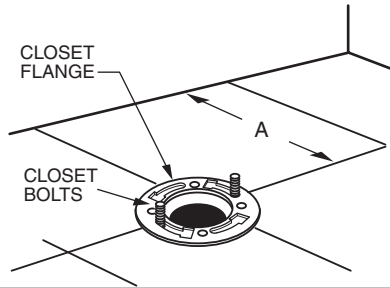
Product names listed herein are trademarks of AS America, Inc.
© AS America, Inc. 2020

7302429-100 Rev. 1 2/20

7302429-100R1

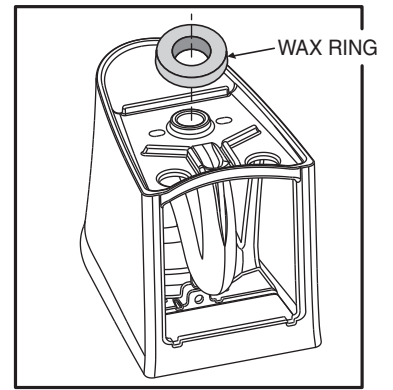
3 INSTALL CLOSET BOLTS

Install closet bolts in flange channel, turn 90°, and slide into place 6" (152 mm) apart and parallel to wall.



4 INSTALL WAX SEAL

Invert toilet on floor (cushion to prevent damage), and install wax ring evenly around waste flange (horn), with tapered end of ring facing toilet.



5 WATER SUPPLY CONNECTION TO TOILET

CONNECT SUPPLY HOSE TO SYSTEM

Connect water supply hose to connection in back of toilet for supply line outside of toilet. See Figure 1.

Note: This will ease installation of supply hose once toilet is installed.

For supply line that is installed behind the toilet, connect supply hose to Shut-Off Valve first.

Remove Dust Cap by pulling straight up as shown in Figure 1.

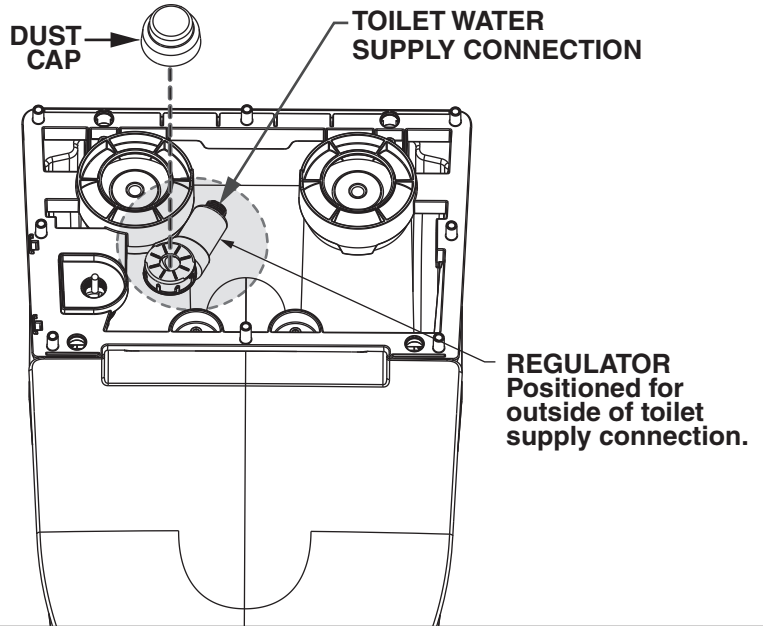


FIGURE 1

6 POSITION TOILET ON FLANGE

a. Unplug floor waste opening. Ensure supply hose is outside of toilet before installing, for outside toilet supply line. Install toilet on closet flange so bolts project through mounting holes.

NOTE: To better view closet bolts when lowering toilet over flange, view through Seat Post Openings to align closet bolts through toilet mounting holes while shining a flashlight. (reference FIGURE A)

b. Place T-handle through hole opening of seat post about 3 inches and align with bolt. Carefully place plastic flange nut onto T-handle with your free hand, then lower down over bolt of waste flange and loosely tighten. Repeat for opposite side. (reference FIGURE B)

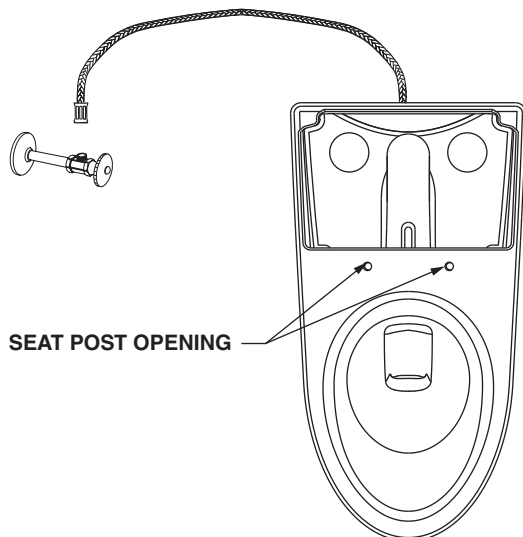


FIGURE A

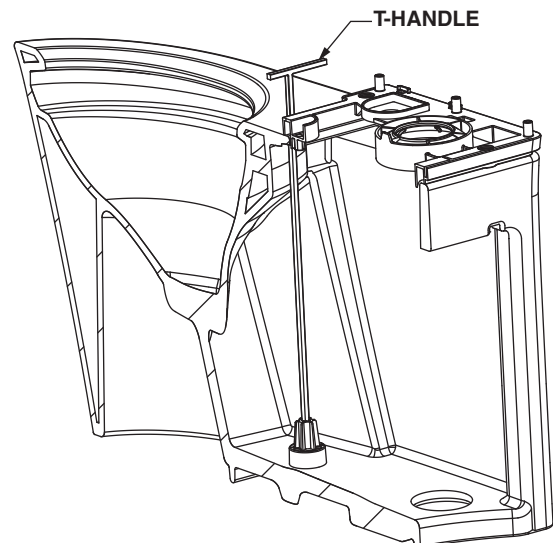


FIGURE B

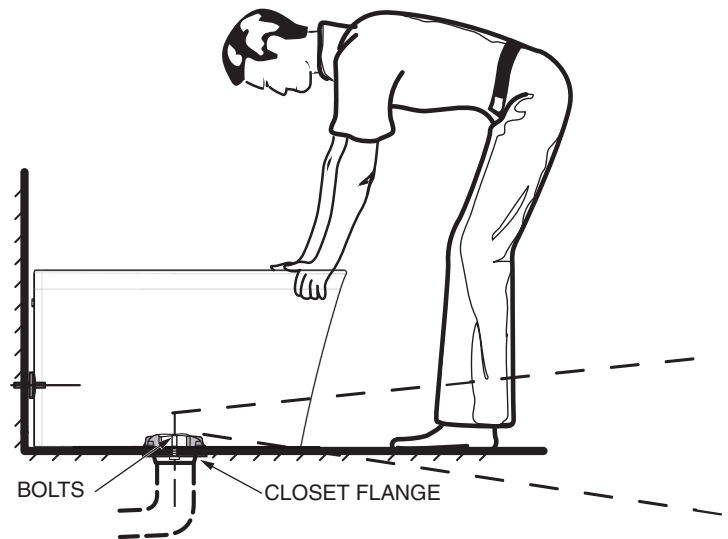
7

INSTALL TOILET

- a. Position toilet squarely to wall and, with a rocking motion, press bowl down fully on wax ring and flange. Alternately tighten nuts until toilet is firmly seated on floor.

⚠ CAUTION: DO NOT OVERTIGHTEN NUTS OR BASE MAY BE DAMAGED!

- b. Once toilet is fully installed and flange nuts secured, carefully turn the Regulator to the right (clockwise). This will give additional clearance to connect the supply line coming from behind the toilet to the Regulator. Turn water supply ON and flush toilet approximately 3 times to fully prime toilet and allow approximately 45 seconds between flushes to fully prime system with water. Check for any leaks.
- c. Apply sealant around base perimeter. Smooth off the bead of sealant around base. Remove excess sealant.



⚠ WARNING: Do not use plumber's putty, pipe dope, or any other sealant on the water supply connection. If the connection leaks after hand tightening, replace the supply line.

Warranty is void if any type of sealant is used on the water supply connection.

8

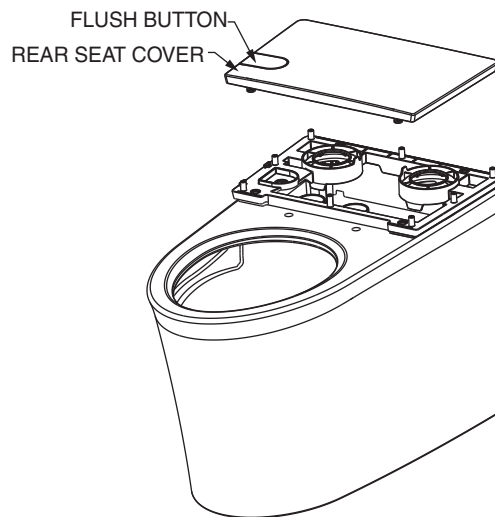
INSTALL TOILET SEAT:

Install toilet seat in accordance with manufacturer's directions.

9

INSTALL COVER

Install rear seat cover by snapping into place.



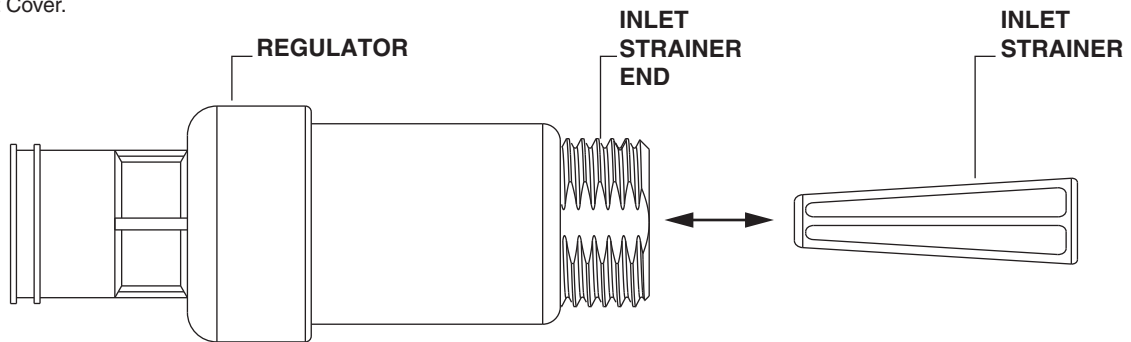
CARE AND CLEANING

When cleaning your toilet, wash it with mild, soapy water, rinse thoroughly with clear water and dry with a soft cloth. Avoid detergents, disinfectants, or cleaning products in aerosol cans. NEVER use abrasive scouring powders or abrasive pads on your toilet seat. Some bathroom chemicals and cosmetics may damage the seat's finish.

REMOVING/CLEANING REGULATOR

Depending upon the water quality or debris that can come into the toilet from the water supply, it may be necessary to remove and clean the "Inlet Strainer" in the Regulator to ensure the toilet flushes correctly.

- a. Shut off water supply to toilet.
- b. Remove Rear Seat Cover.
- c. Disconnect water supply hose on Regulator end. (reference Figure 1 in Step 5.)
- d. Turn Regulator Counter Clock Wise (to the left) and remove regulator.
- e. Remove Inlet Strainer (filter) with a small needle nose plier. There is a small plastic tub in the strainer which can be used to pull out the strainer using the pliers.
- f. Inspect Inlet Strainer filter screen and remove any dirt or debris from screen by running through water.
- g. Insert Strainer back into Regulator and re-connect Regulator to system.
- h. Connect water supply hose to Regulator and turn water supply back ON. Allow system to fill with water and test flush several times until toilet flushes correctly and check for leaks.
- i. Replace Rear Seat Cover.



TROUBLESHOOTING GUIDE

| PROBLEM | POSSIBLE CAUSE | CORRECTIVE ACTION |
|--------------------------|---|--|
| Does not flush | <ol style="list-style-type: none"> a. Water supply valve closed. b. Supply line blocked. c. Flush button damaged. | <ol style="list-style-type: none"> a. Open valve and allow water to fill system. b. Shut off water supply, disconnect supply line and inspect all gaskets. c. Inspect flush button, if damaged call customer service. |
| Poor or sluggish flush | <ol style="list-style-type: none"> a. Supply valve partly closed. b. Plugged inlet strainer. c. Supply pressure too low. d. Partially clogged trapway and/or drain pipe and/or vent. e. Malfunctioning pressure regulator. | <ol style="list-style-type: none"> a. Open supply valve fully. Be sure supply hose is not kinked. b. Shut off water supply, remove regulator and clean strainer. Reference "Removing/Cleaning Regulator." c. Normal supply pressure must be at least 30 psi. d. Remove obstruction. Consult a Plumber if necessary. e. Replace pressure regulator. Call Customer Service. |
| Toilet leaks | <ol style="list-style-type: none"> a. Poor bowl to floor connection. b. Seals or rubber O rings in flush system defective. c. Poor supply line connection. | <ol style="list-style-type: none"> a. Review Step 4 through 7. b. Call Customer Service. c. Check water supply line for leaks. |
| Toilet does not shut off | <ol style="list-style-type: none"> a. Supply pressure too low. | <ol style="list-style-type: none"> a. Normal supply pressure must be at least 30 psi. |

In the United States:
 American Standard Brands
 1 Centennial Ave
 Piscataway, NJ 08854
 Attention: Director of Consumer Affairs

For residents of the United States, warranty information may also be obtained by calling the following toll free number: (800) 442-1902
www.americanstandard.com

In Canada:
 LIXIL Canada ULC
 5900 Avebury Rd.
 Mississauga, Ontario
 Canada L5R 3M3

Toll Free: (800) 387-0369
www.americanstandard.ca

In Mexico:
 American Standard B&K Mexico
 S. de R.L. de C.
 Via Morelos #330
 Col. Santa Clara
 Ecatepec 55540 Edo. Mexico
 Toll Free: 01-800-839-1200
www.americanstandard.com.mx