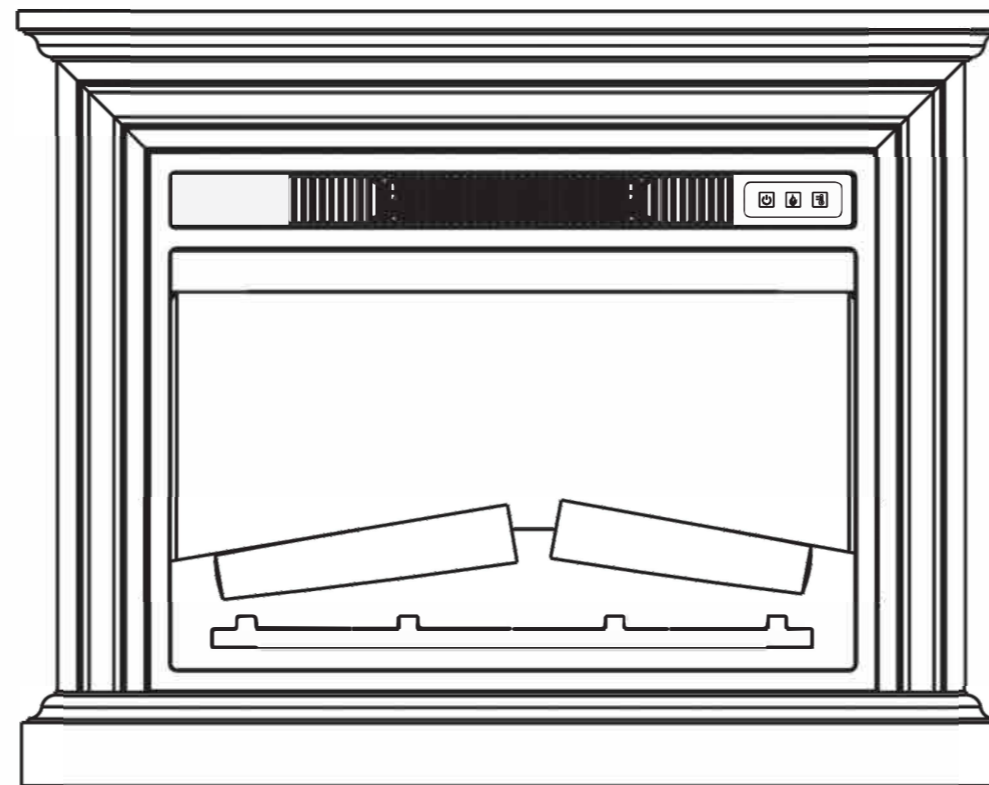


# Owner's Manual

COMBINATION ELECTRIC FIREPLACE/HEATER



## Table of Contents

Safety Information.....	2
Pre-installation.....	3
Assembly.....	4
Operation.....	5
Using the Remote Control.....	6
Care and Maintenance.....	7
Troubleshooting.....	7

## Safety Information

### IMPORTANT SAFETY INFORMATION

PLEASE READ ALL OF THE INFORMATION IN THIS OPERATING MANUAL, INCLUDING ALL SAFETY, OPERATING, AND MAINTENANCE INFORMATION. TO AVOID THE POTENTIAL RISK OF FIRE, ELECTRIC SHOCK, OR INJURY TO PERSONS, USERS SHOULD FOLLOW THE DIRECTIONS AND WARNINGS IN THIS MANUAL.

1. Read all instructions before using this heater.
2. Do not use this heater outdoors.
3. This heater is not intended for use in bathrooms, laundry areas and similar indoor locations. Never locate the heater where it may fall into a bathtub or other water container.
4. Do not run the power cord under carpeting. Do not cover the power cord with throw rugs, runners, or the like. Arrange the power cord away from traffic areas and where it will not be tripped over.
5. To disconnect the heater, turn controls to off, then remove the plug from the outlet.
6. Connect to properly grounded outlets only. Always plug heaters directly into a wall outlet/receptacle. Never use with an extension cord or reloadable power tap (outlet/power strip).
7. To prevent a possible fire, do not block firebox air intakes or the exhaust in any manner. Do not operate the firebox on soft surfaces, like a bed, where openings may become blocked.
8. There is a thermostat limiter inside the heater. When the inner temperature over heats or abnormal heating occurs, the thermostat protective device cuts off the power supply to avoid fireplace damaged or risk of fire.
9. Use this heater only as described in this manual. Any other use not recommended by the manufacturer may cause fire, electrical shock, or injury to persons.



**WARNING:** There are no user serviceable parts inside the fireplace/heater. If the unit appears to malfunction, turn the unit off and unplug the unit from the wall immediately, and contact Customer Service.



**WARNING:** This heater is hot when in use. To avoid burns, do not let bare skin touch hot surfaces. If provided, use handles when moving this heater. Keep combustible material, such as furniture, pillows, bedding, papers, clothes and curtains at least 3 ft. (0.9 meters) from the front of the heater and keep them away from the sides and rear.



**WARNING:** Extreme caution is necessary when any heater is used by or near children or invalids and whenever the heater is left operating and unattended.



**WARNING:** Always unplug the heater when not in use.



**WARNING:** Do not operate any heater with a damaged cord or plug or after the heater malfunctions, has been dropped or damaged in any manner. Return the heater to an authorized service facility for examination, electrical or mechanical adjustment, or repair.



**WARNING:** Do not insert or allow foreign objects to enter any ventilation or exhaust openings as this may cause an electric shock or fire, or damage the heater.



**WARNING:** A heater has hot and arching or sparking parts inside. Do not use in areas where gasoline, paint, or flammable liquids are used or stored.



**CAUTION:** While the heater is in use, the top center of the fireplace can get hot to the touch, and may cause serious injury or burns. Always supervise small children around the fireplace/heater. Do not place any cloth or decorations over the heater outlet of the fireplace, or otherwise obstruct the heater outlet of the fireplace, as this may cause a fire and serious injury may result.

## Care and Maintenance



**WARNING:** Always disconnect from the power supply before cleaning the heater. First turn off the main power. Then remove the electrical plug from the wall outlet.



**WARNING:** Do not use this fireplace insert if any part of it has been under water. Immediately call a qualified service technician to inspect the firebox and replace any part of the electrical system which has been under water.

The blower motor and flame motor are pre-lubricated for a durable using time and need no further lubrication or maintenance. To remove any accumulation of dust or fluff the soft brush attachment of a vacuum cleaner should occasionally be used to clean the outlet grille of the fan heater.

- Use a soft, clean cloth that will not scratch the surface when dusting.
- Use a clean soft cloth dampened with warm water to clean the fireplace surface. DO NOT use household or abrasive cleaners, as these products may damage the surface.
- When cleaning the glass viewing screen use a non-abrasive damp cloth with liquid cleaner or soft soap if necessary; DO NOT use cleaning powders or any other substance with abrasives since these substances will scratch glass.
- Under no circumstances should this product be operated with a broken or chipped glass panel.
- Do not strike or slam the glass.
- In the event that your appliance is stained or otherwise damaged during use, we recommend that you call a professional to repair your furniture.
- When not in use please unplug the cord from the outlet to prevent any damage or accidental plug of the cord.

## Troubleshooting

Problem	Solution
The unit does not turn on.	Check that the unit is plugged into a standard 120V outlet. Press the power button on the control panel.
The unit is on, but there is no flame effect.	Open the back panels to check if the flame spindle has fallen off from the spindle motor.
There is a visible flame effect, but the heater does not blow warm air.	Turn on/off the heater button several times to make sure it is in the "ON" position.
The heater does not work, but the power and heater switches are in the "ON" position.	Turn all switches to the "OFF" position and unplug the unit from the wall outlet for 5 minutes. After 5 minutes plug the unit back into the wall outlet, and operate as normal.
Remote control is not working.	Change the remote battery. Operate remote transmitter at a slow measured pace. Press the remote control buttons with an even motion and gentle pressure. Repeatedly pressing buttons in rapid succession may cause the transmitter to malfunction.

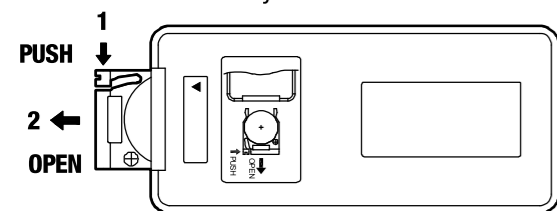
## SAVE THESE INSTRUCTIONS

## Using the Remote Control

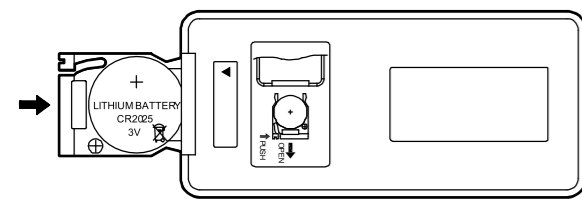
### 1. Installing the battery

The battery is supplied with the remote control. The first thing to do with the remote control is to remove the plastic sheet insulated the battery. For replacement battery, use lithium-based CR2025 battery. Please follow the sequence below to replace the battery.

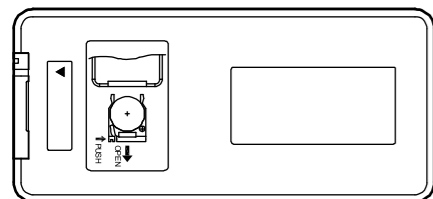
- Take out the battery bracket.



- Insert the battery with the button side into the battery bracket, making sure the battery is firmly seated.



- Press the battery bracket into the remote control, making sure it snaps into position.



- Turn the remote over and aim it towards the fireplace/heater unit.
- Press the power button on the upper right, and see if the flames on the fireplace/heater turn on or off.
- If nothing appears to happen, check to make sure the battery is installed correctly, and try again.

#### **WARNING:** Do not ingest batteries.

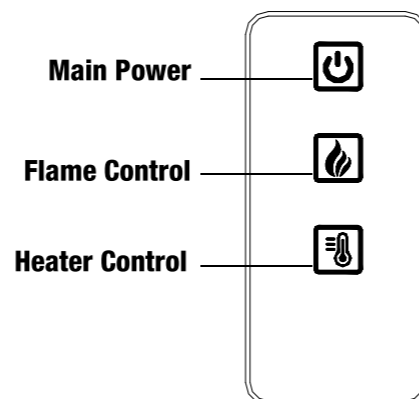
- Non-rechargeable batteries are not to be recharged.
- Batteries are to be inserted with the correct polarity.
- Exhausted batteries are to be removed from the product.
- Always purchase the correct size and grade of battery most suitable for the intended use.
- Replace all batteries of a set at the same time.
- Clean the battery contacts and also those of the device prior to battery installation.
- Remove batteries from equipment with is not to be used for an extended period of time.

**NOTE:**  
Battery disposal  
Please always  
dispose of batteries  
at a suitable  
recycling point.



### 2. Using the remote control

- The operation of the remote control buttons works the same as the buttons on the front panel of the fireplace/heater. Review the Operation section for more information on the functionality of these buttons.



## Safety Information(continued)

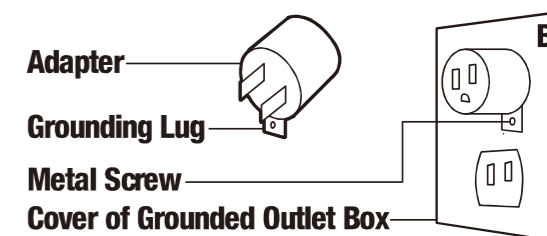
### GROUNDING INSTRUCTIONS



**DANGER:** Improper connection of the equipment-grounding conductor can result in a risk of electric shock. Check with a qualified electrician or serviceman if you are in doubt as to whether the product is properly grounded. Do not modify the plug provided with the product. If it will not fit the outlet, have a proper outlet installed by qualified electrician.

This product must be grounded. If it should malfunction or breakdown, grounding provides a path of least resistance for electric current to reduce the risk of electric shock. This product is equipped with a cord having an equipment-grounding conductor and a grounding plug. The plug must be plugged into an appropriate outlet that is properly installed and grounded in accordance with all local codes and ordinances.

This heater is for use on 120 volt circuits and has a grounded plug. An adapter is available for connecting three-blade grounding type plugs to two-slot receptacles. The green grounding lug extending from the adapter must be connected to a permanent ground such as a properly grounded outlet box. The adapter should not be used if a three-slot grounded receptacle is available.



### Pre-installation

#### ELECTRICAL SPECIFICATIONS

- Voltage: 120 VAC, 60 Hz
- Watts: 1400 Watts

#### TOOLS REQUIRED



Phillips  
screwdriver  
(not provided)

#### HARDWARE INCLUDED



NOTE: Hardware not shown to actual size.

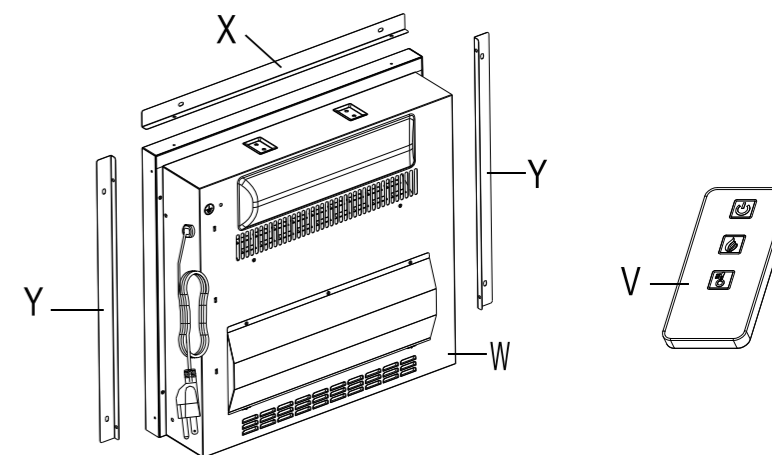


18

Part	Description	Quantity
18	Screw	12 + 3 extra

Part	Description	Quantity
V	Remote Control with Battery	1
W	Fireplace Insert	1
X	Top Trim	1
Y	Side Trim	2

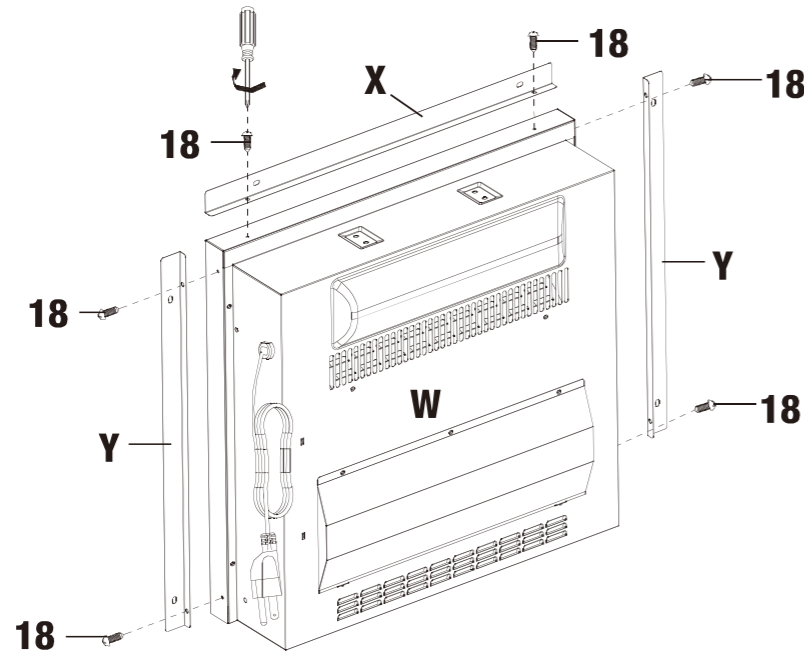
#### PACKAGE CONTENTS



This insert has front panel made of GLASS! ALWAYS use extreme caution when handling glass. Failure to do so could result in personal injury or property damage.

## 1. Attaching the metal trims

- Fasten the top trim (X) to the top of the fireplace insert (W) with two screws (18). Make sure that the right angle side points towards the front of the unit.
- Align and attach two side trims (Y) to both sides of the fireplace insert (W) respectively with the right angle side facing the front of the unit, using two screws (18) per trim.

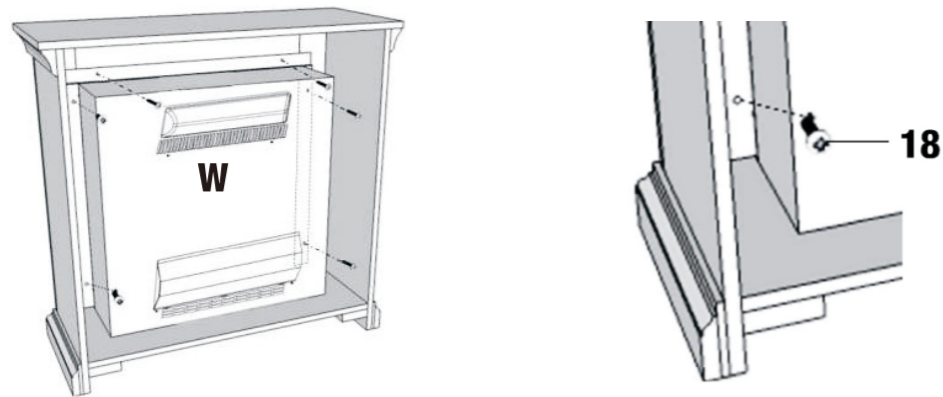


## 2. Installing the fireplace insert

- Carefully set the fireplace insert (W) into the back of the mantel and center it in the opening. Use care not to scratch the wood. Check the alignment, and then attach the fireplace insert (W) to the mantel by inserting the screws (18) through the drilled holes on the trims (X and Y) and securely screw into place using a Phillips screwdriver.

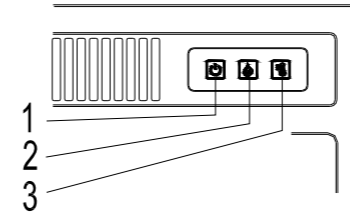


NOTE: DO NOT attempt to install the insert from the front of the mantel - it will not fit.



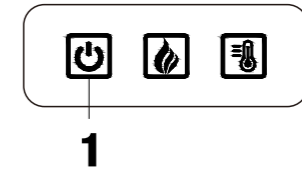
## 3. Identifying the control panel

- The control panel is located on the top right corner of the fireplace/heater unit.
- The control panel contains the main power (1), flames control (2) and heater control (3).



## 4. Using the main power button

- Press the power button (1) to turn the fireplace/heater unit on and off. Press the power button (1) once to turn the unit on. Press again to turn the unit off.



## 5. Using the flame control

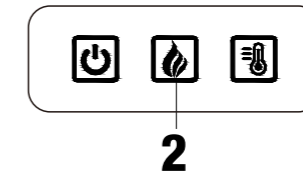
- Press the flame button (2) to set the flames for different levels of flame height. You can control the flame height as the table below:

Button Press	Flame Level	Fireplace Appearance
1st press	Medium	Flames Medium, Logs Glow Medium
2nd press	Low	Flames Low, Logs Glow Low
3rd press	All Off	Flames Off, Logs Off
4th press	High	Flames Highest, Logs Glow Highest

- When the heater function turns on, the flame level will cycle through the 3 different level settings continuously.

Button Press	Flame Level	Fireplace Appearance
1st press	Medium	Flames Medium, Logs Glow Medium
2nd press	Low	Flames Low, Logs Glow Low
3rd press	High	Flames Highest, Logs Glow Highest

- If the flame is off when the unit is turned off by the main power button, the flames will come on in highest mode when you turn the heater on.



## 6. Using the heater control

- The heater button (3) turns the heater on or off. There is no speed setting for the heater blower. If the heater is on when the unit is turned off by the main power button, when the power is turned back on, the heater will come on at the same time. If the heater is off when the power is off, the heater will remain off when power is turned back on.
- When the flame function turns on, press the heater button (3) once to turn the heater on. Press again to turn the heater off.
- When the flame function turns off, the flames will come on in highest mode when the unit is turned on heater button (3).

