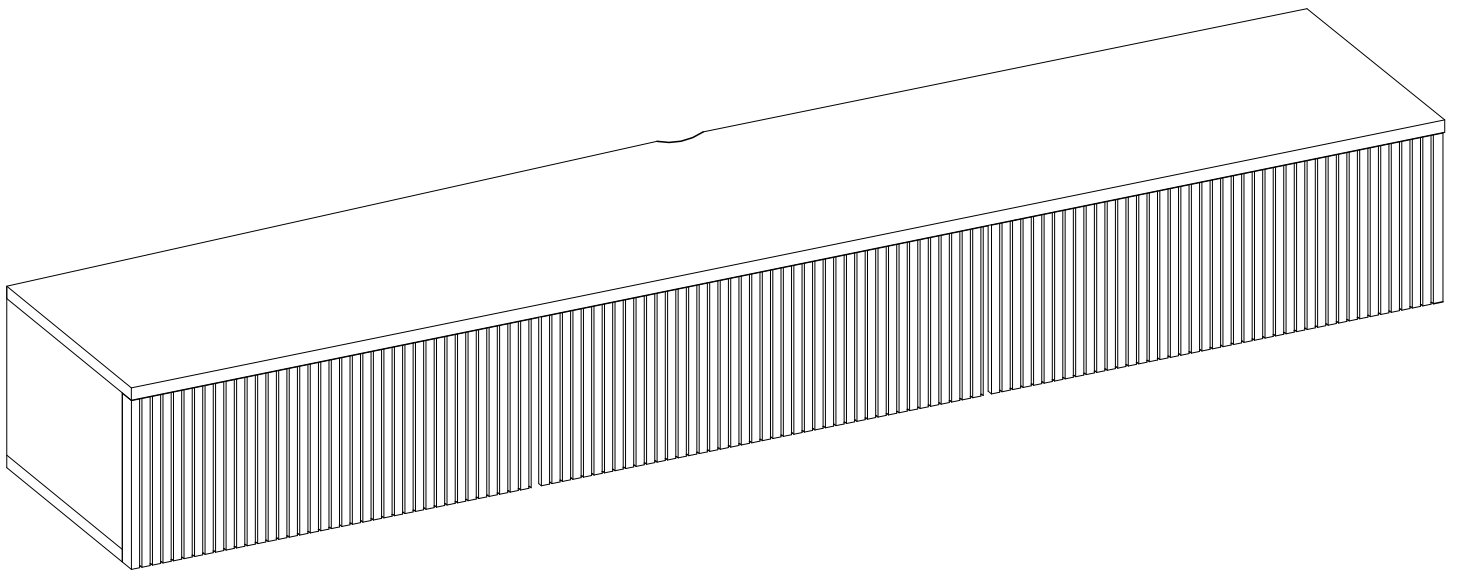
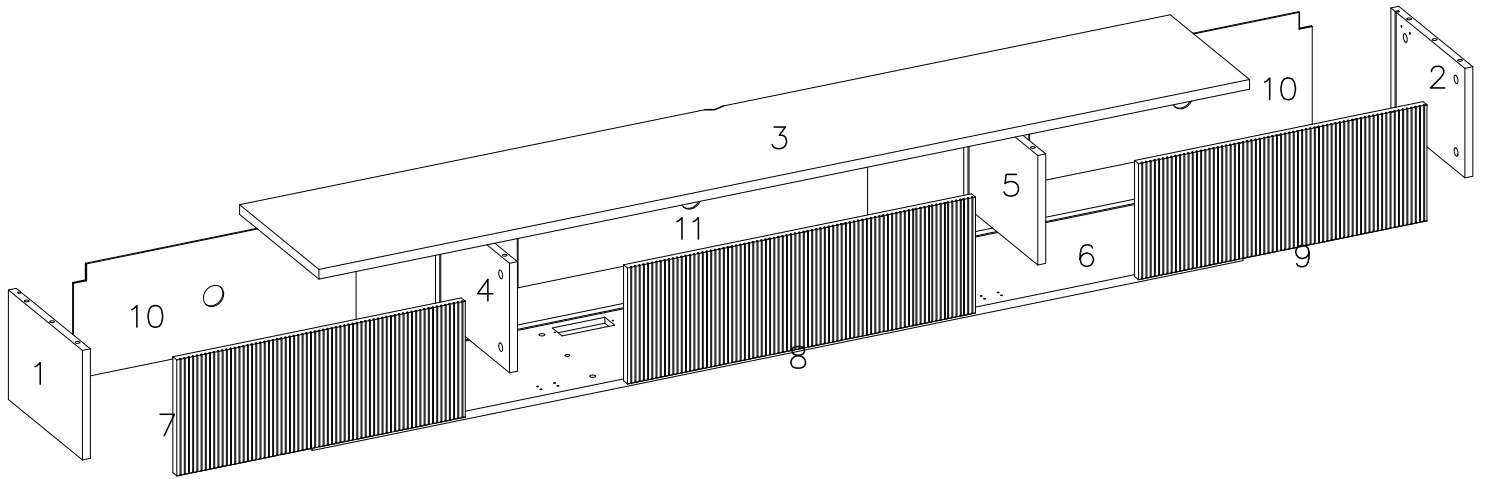
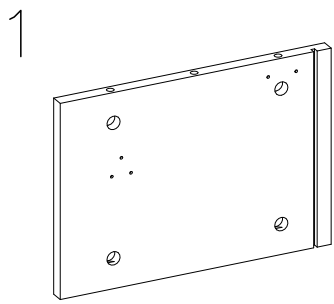


# Installation & Assembly

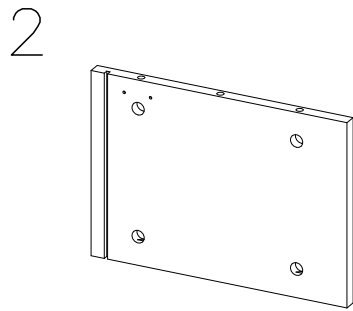




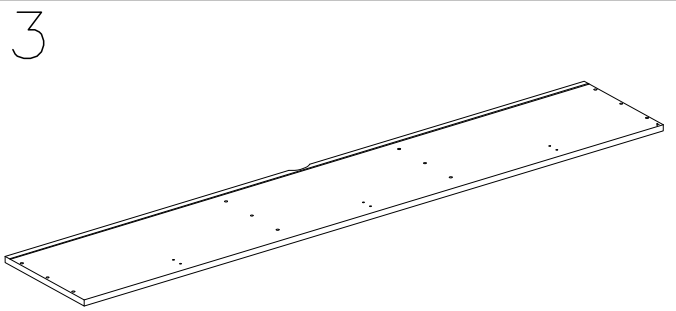
<p>A</p> <p>A1 A2</p> <p>16pcs</p>	<p>B</p> <p><math>\varnothing 8 \times 30\text{mm}</math></p> <p>8pcs</p>	<p>C</p> <p><math>\varnothing 3.5 \times 14\text{mm}</math></p> <p>69pcs</p>	<p>D</p> <p><math>\varnothing 3.5 \times 40\text{mm}</math></p> <p>8pcs</p>	<p>E</p> <p><math>\varnothing 3.5 \times 30\text{mm}</math></p> <p>8pcs</p>	<p>F</p> <p><math>8 \times 40\text{mm}</math></p> <p>8pcs</p>	<p>G</p> <p>6pcs</p>	<p>H</p> <p>H1 H2</p> <p>3pcs</p>
<p>I</p> <p>3pcs</p>	<p>J</p> <p>J1x1</p> <p>J2x4</p> <p>J3x4</p> <p>1pc</p>	<p>K</p> <p>K1*1</p> <p>K2*2</p> <p>1pc</p>	<p>L</p> <p>L1*4 L2*4 L3*2 L4*2</p> <p>1pc</p>	<p>M</p> <p>12pcs</p>	<p>N</p> <p>16pcs</p>		



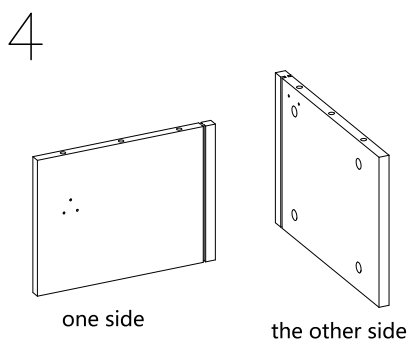
270\*278\*15mm 1pc



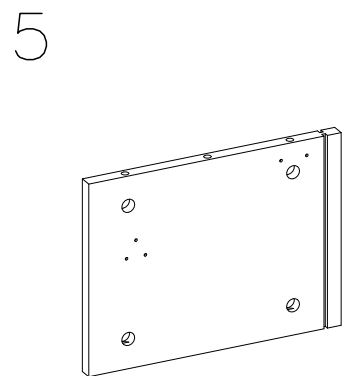
270\*278\*15mm 1pc



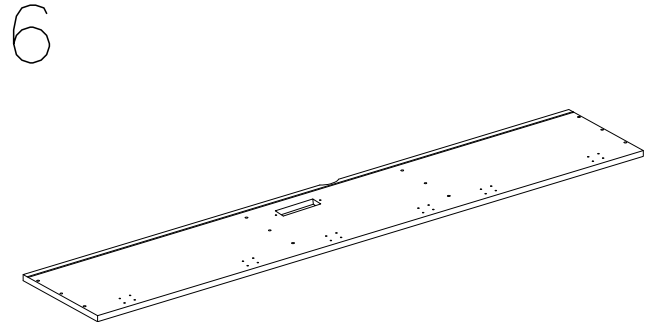
1750\*300\*15mm 1pc



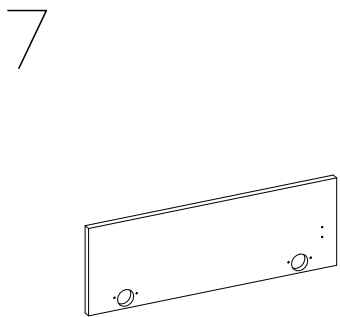
270\*278\*15mm 1pc



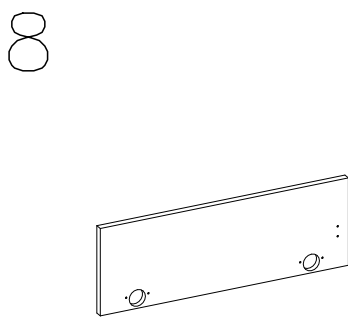
270\*278\*15mm 1pc



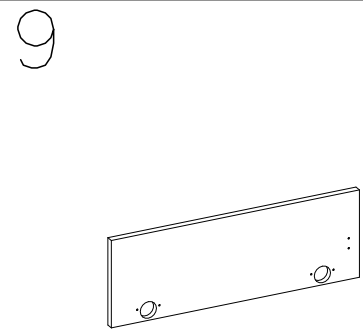
1750\*279\*15mm 1pc



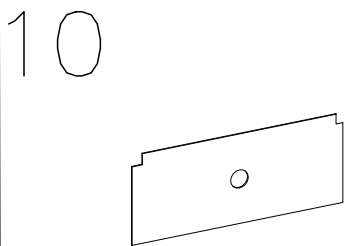
581\*280\*15mm 1pc



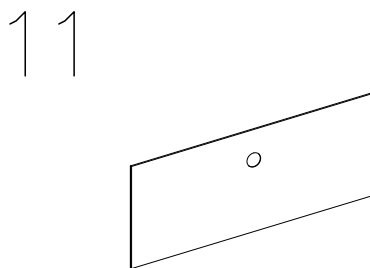
576\*280\*15mm 1pc



581\*280\*15mm 1pc



571\*280\*3mm 2pcs

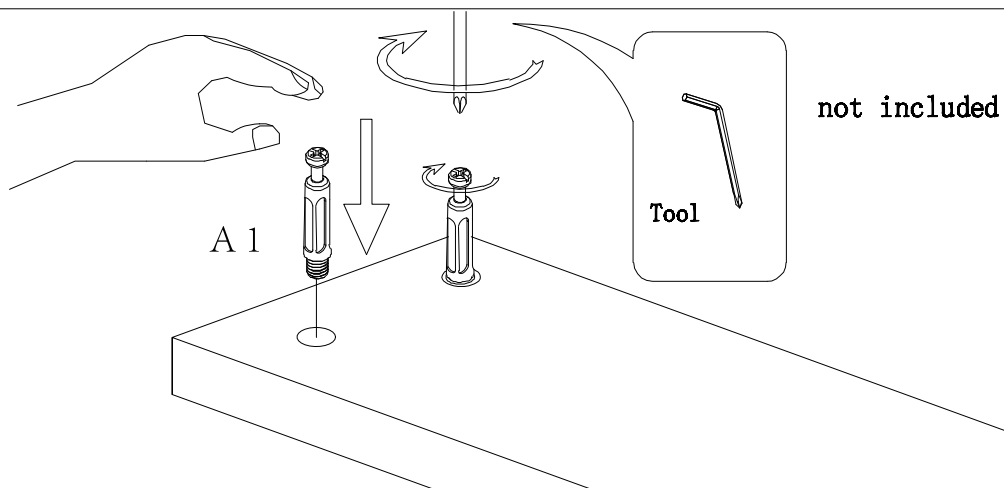


572\*280\*3mm 1pc

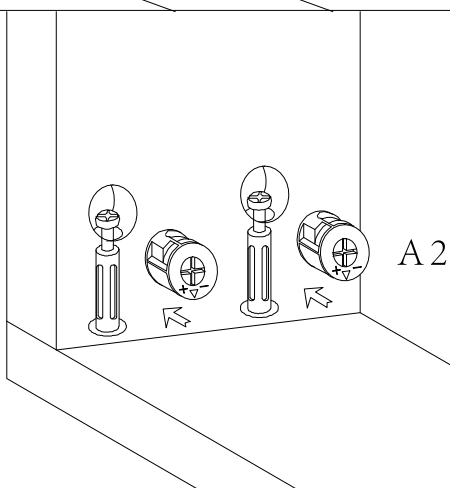
# Hardware installation demonstration

NOTE: Please make sure  
"A1" hardware tightened  
and can't be pulled out!

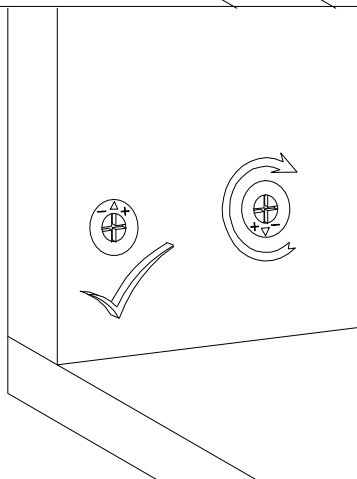
I



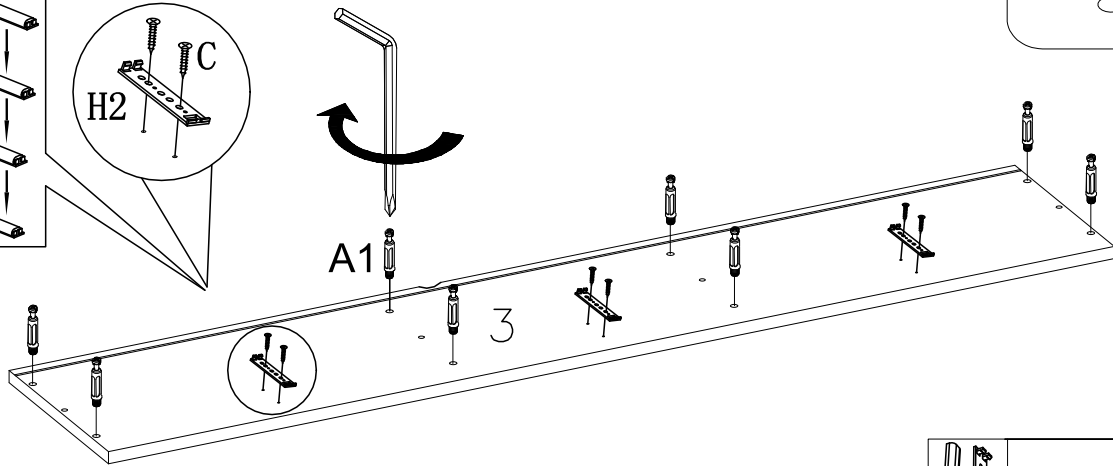
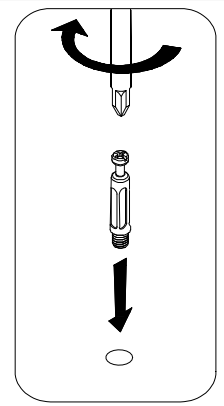
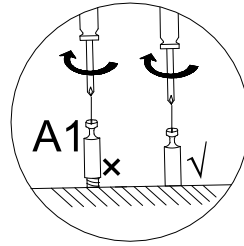
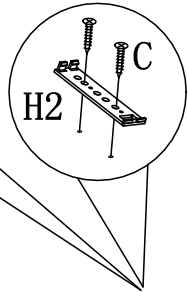
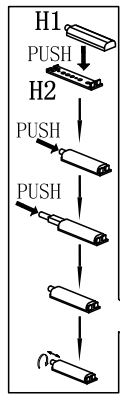
II



III

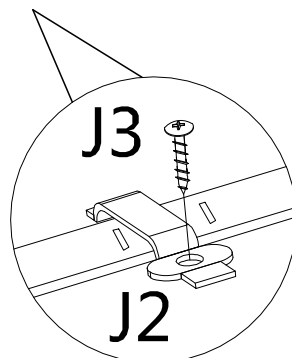
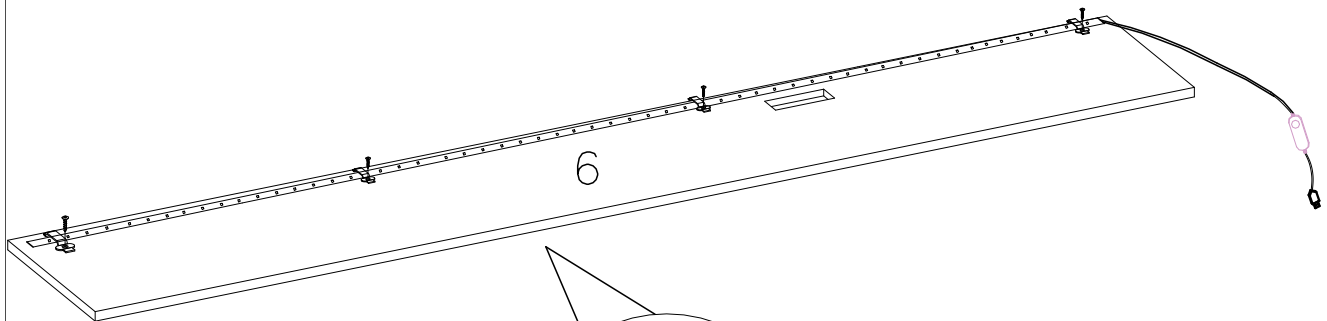
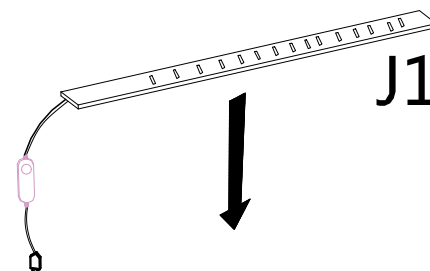
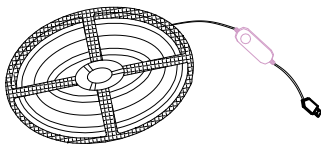


# STEP 1



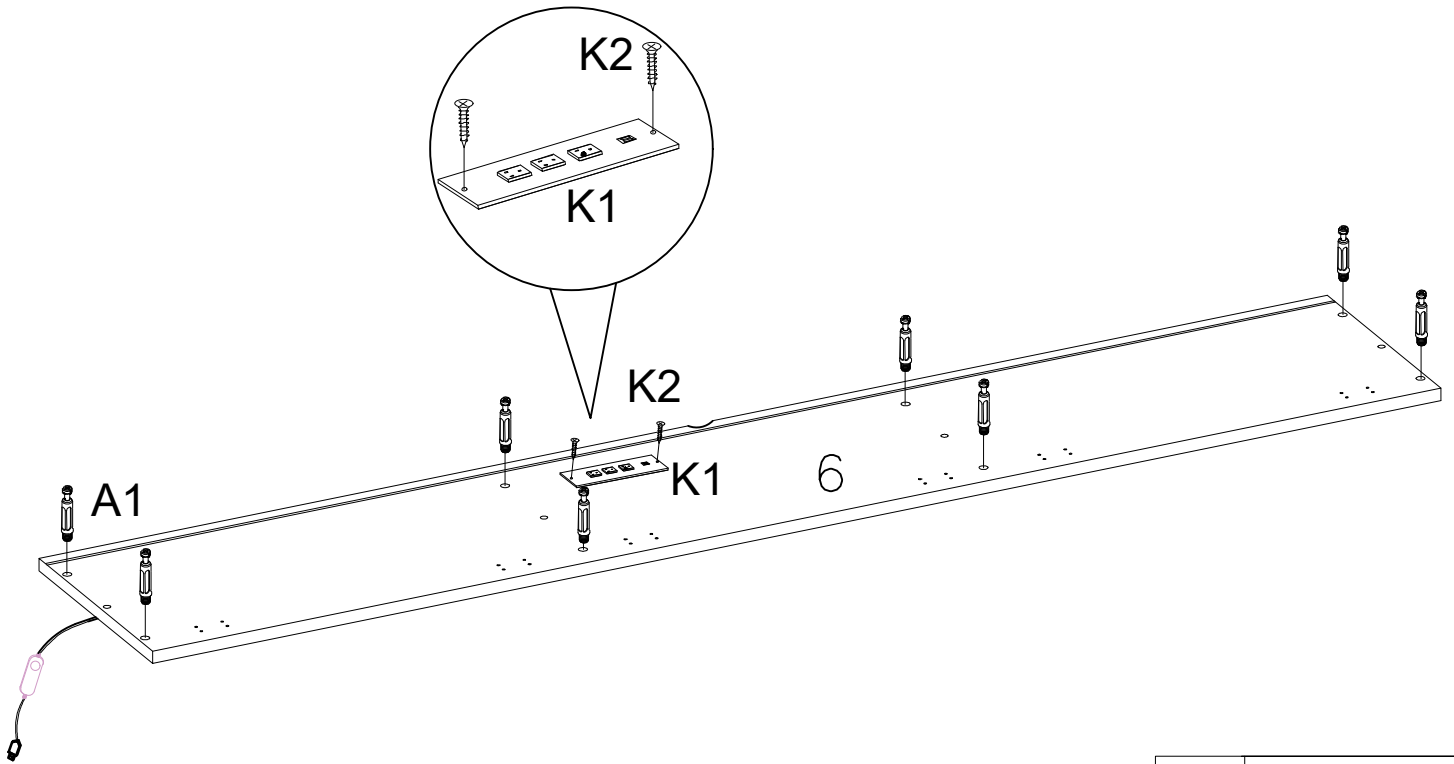
		H × 3PCS
	C × 6PCS	A1 × 8PCS




# STEP 2



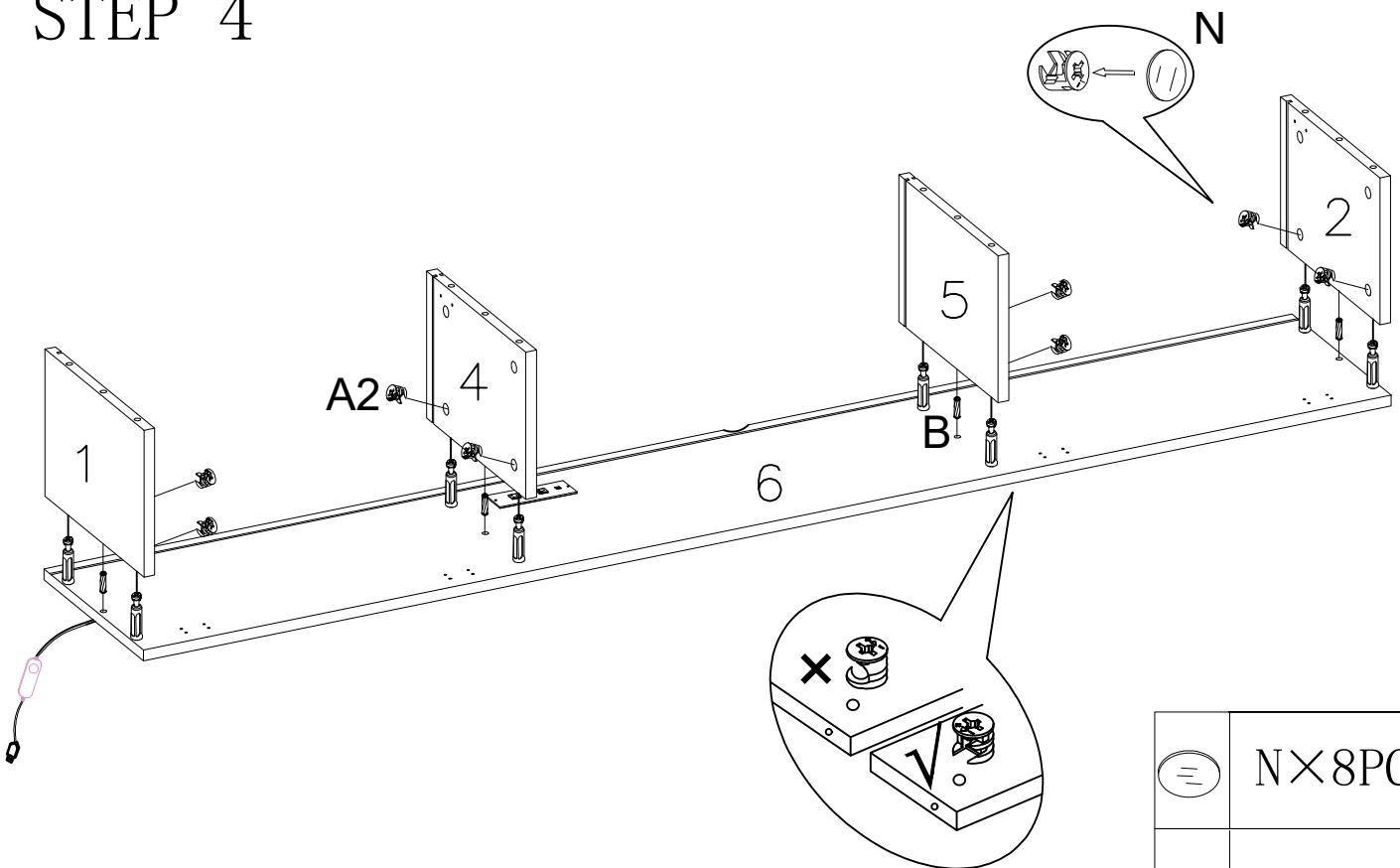
	J1 × 1PC
	J2 × 4PCS
	J3 × 4PCS




# STEP 3



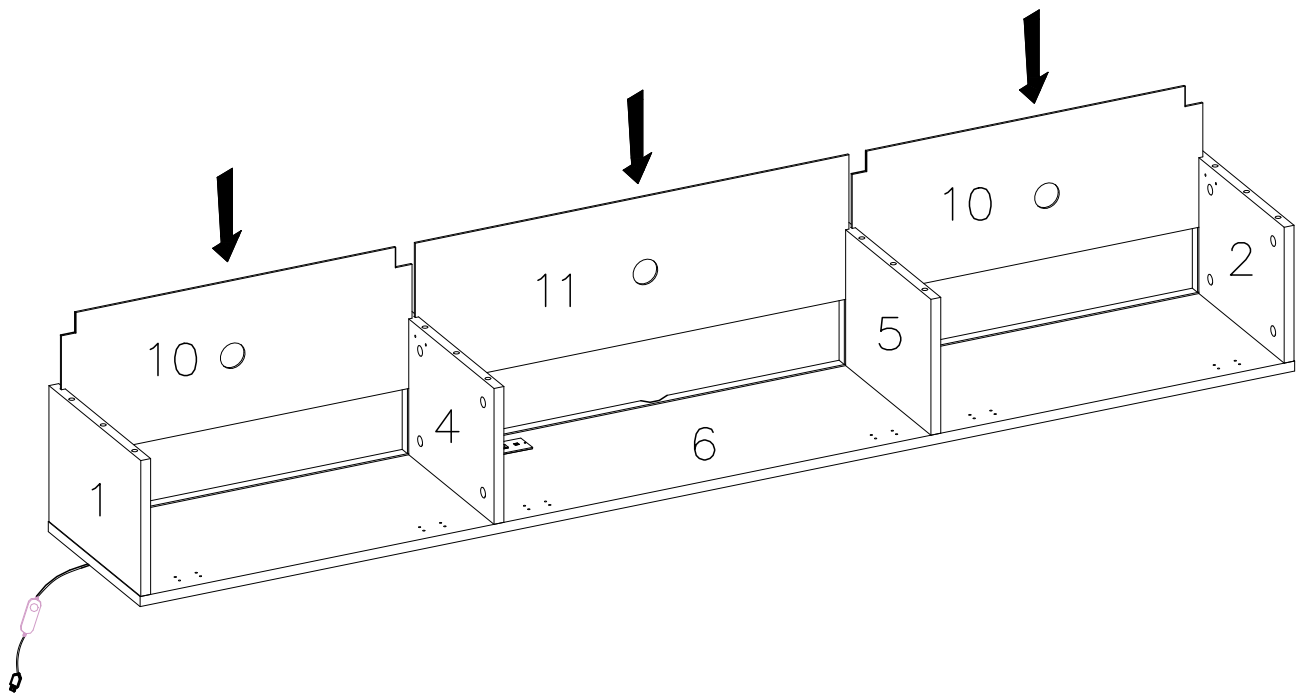
		K1× 1 PC
	K2× 2PCS	
		A1× 8PCS

# STEP 4

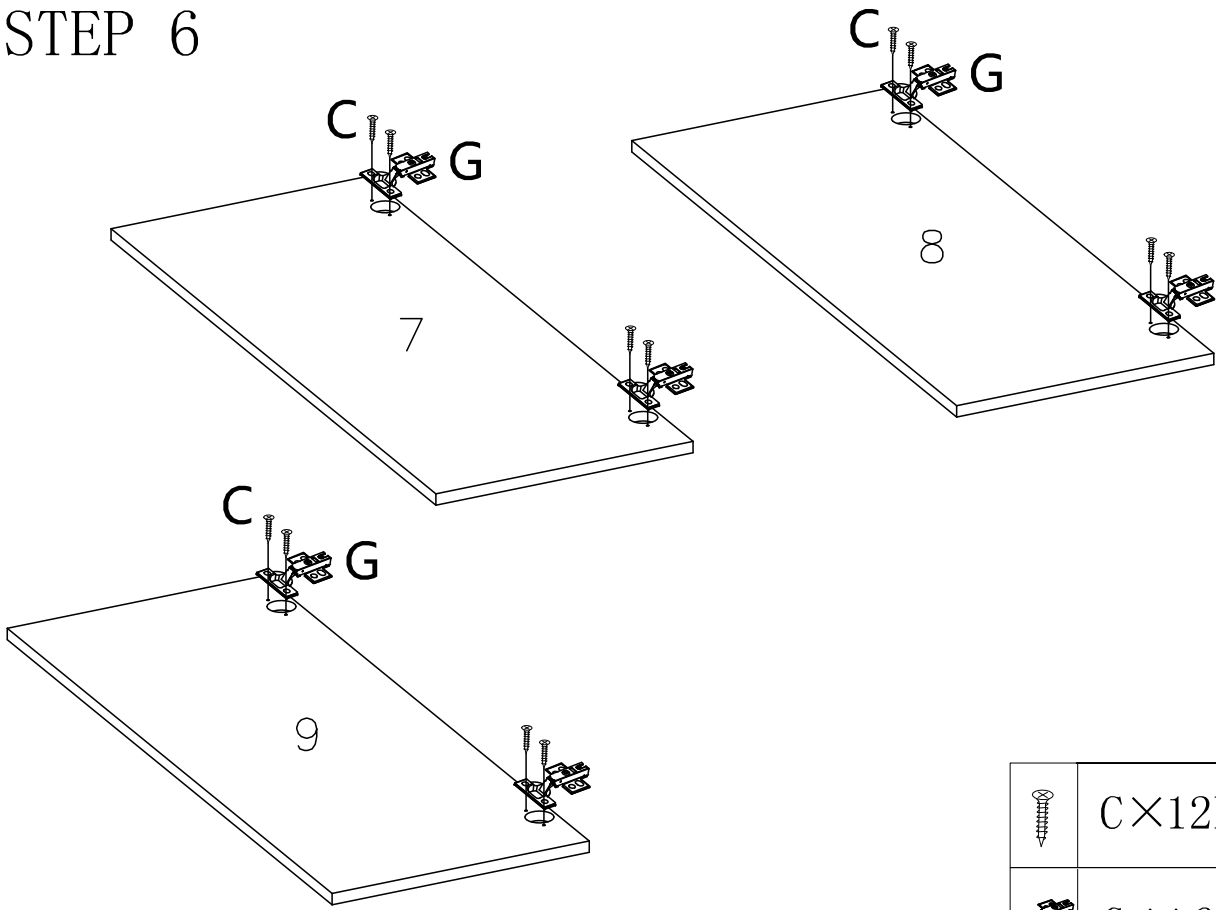




	N× 8PCS
	A2× 8PCS
	B× 4PCS

# STEP 5

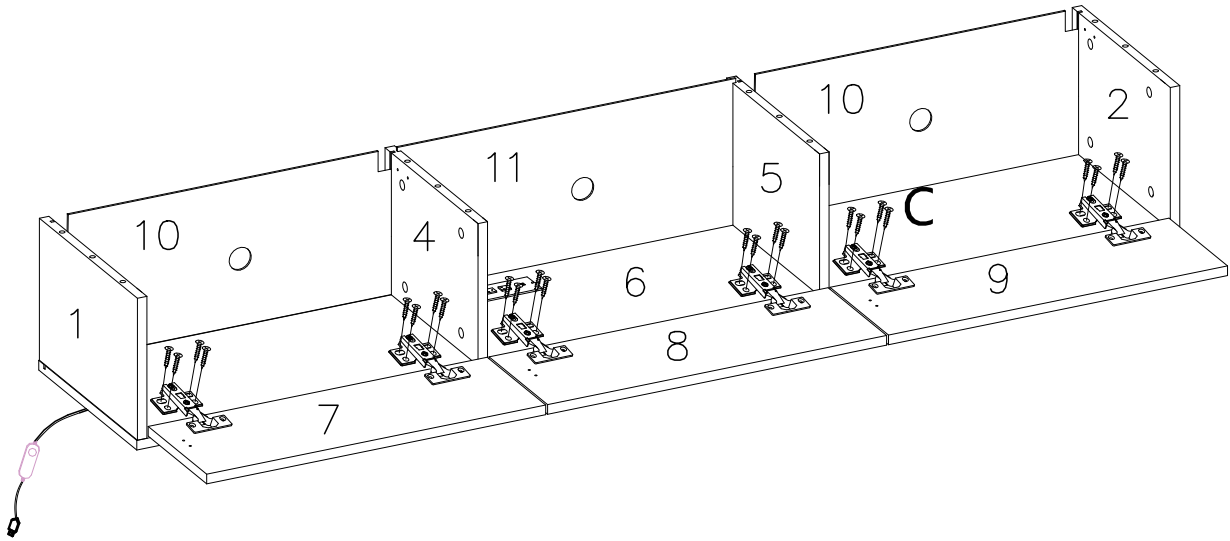



# STEP 6



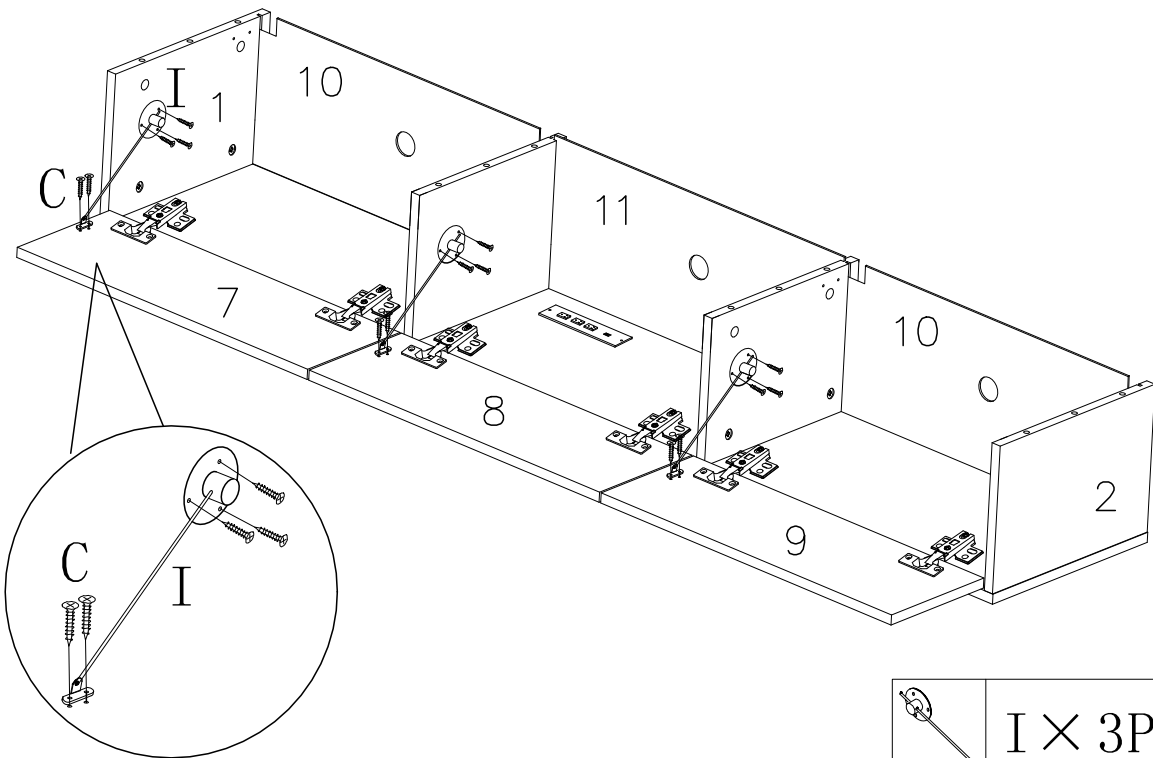
	C × 12PCS
	G × 6PCS


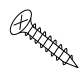
# STEP 7



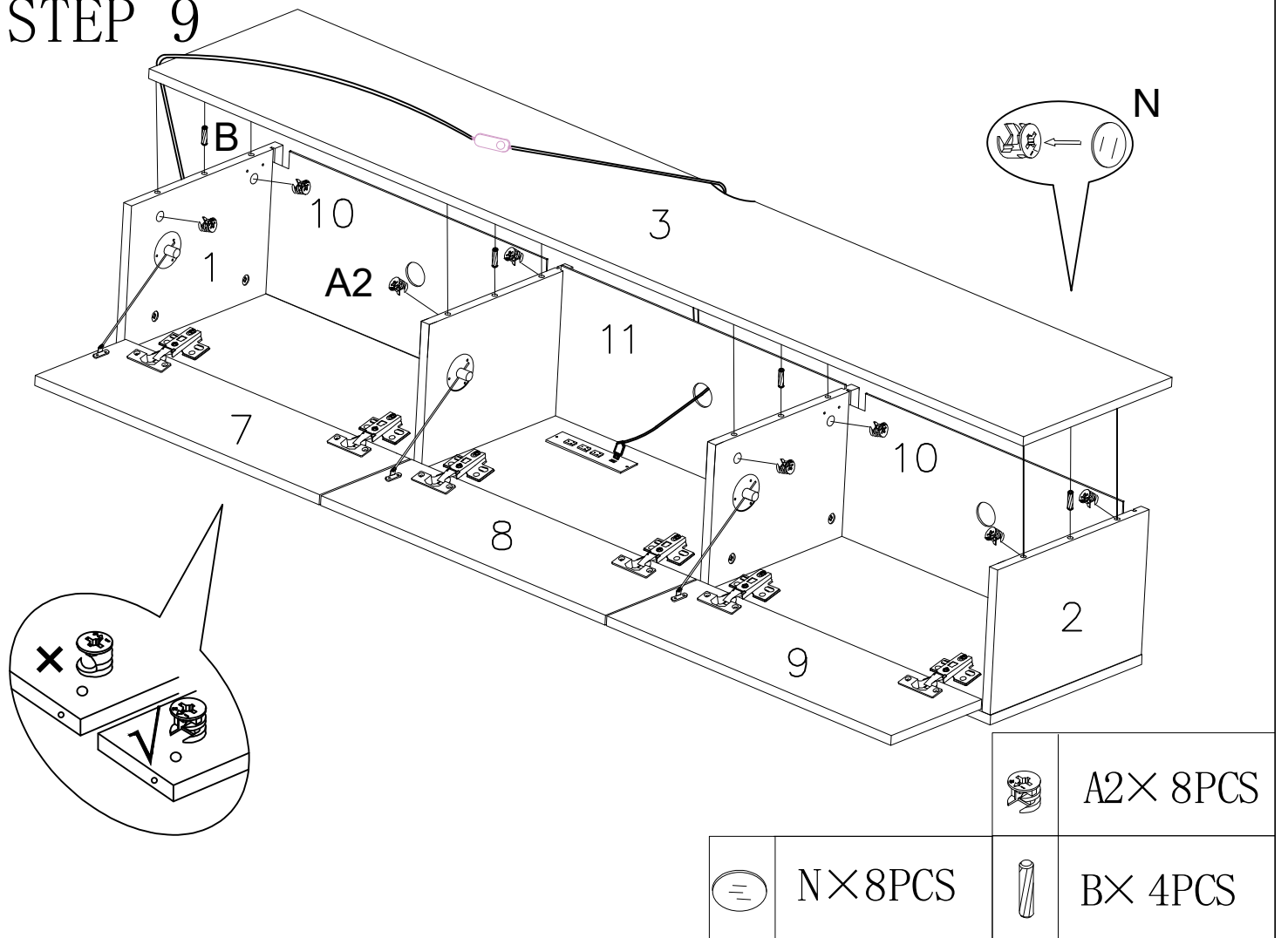
	C × 24PCS
---	-----------

# STEP 8

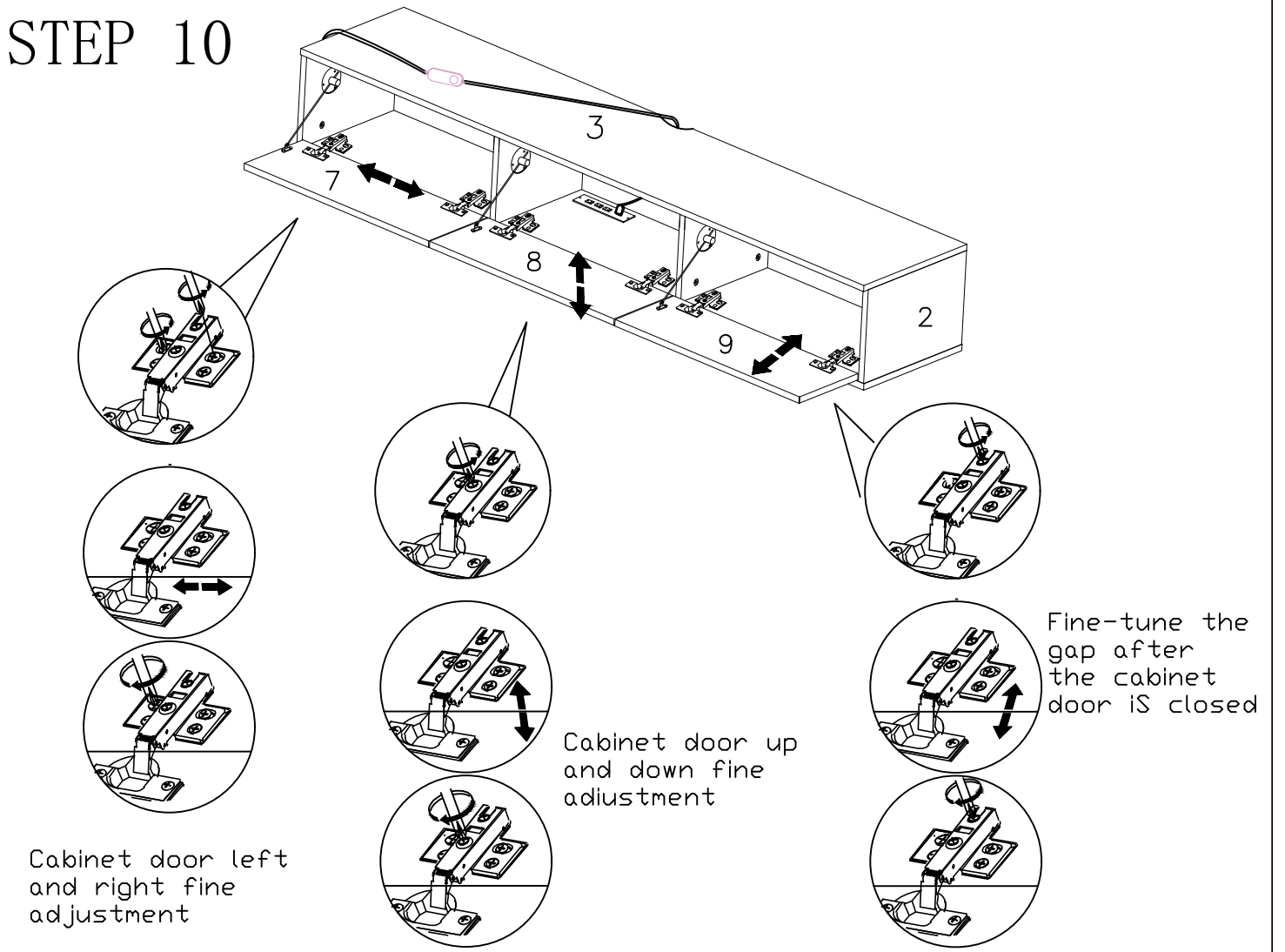


	I × 3PCS
	C × 15PCS

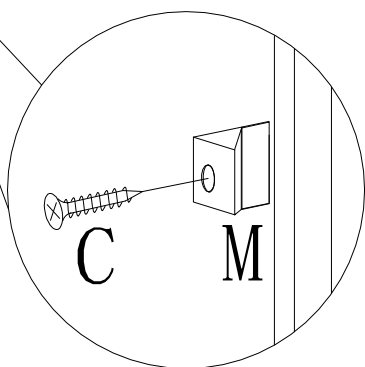
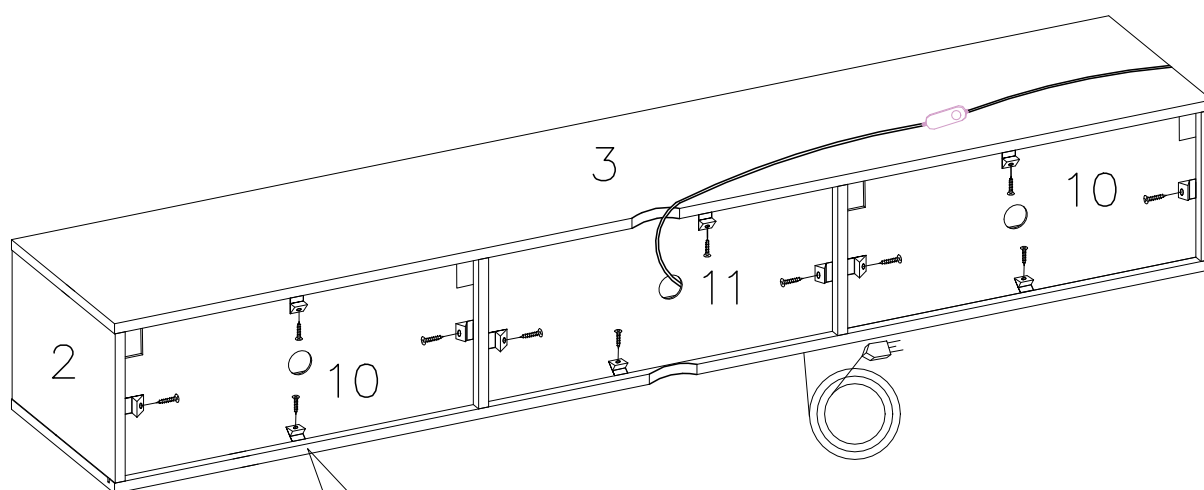
# STEP 9

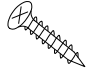
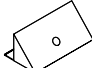


# STEP 10

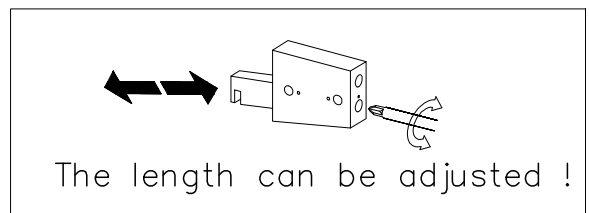
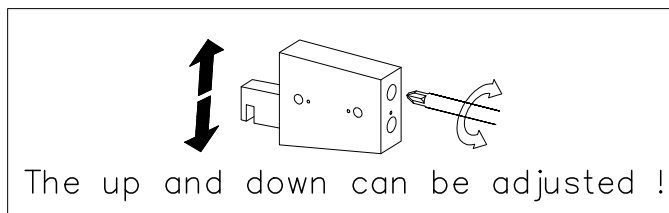
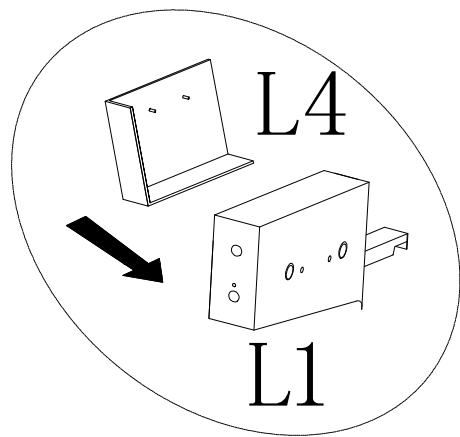
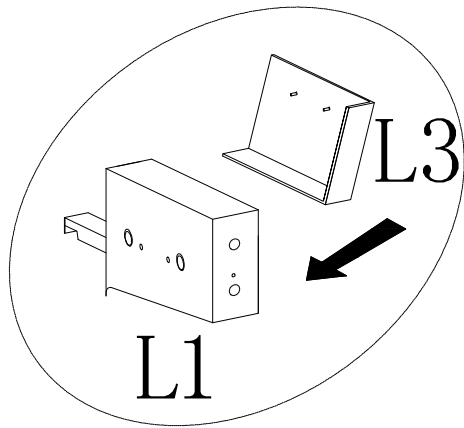


# STEP 11

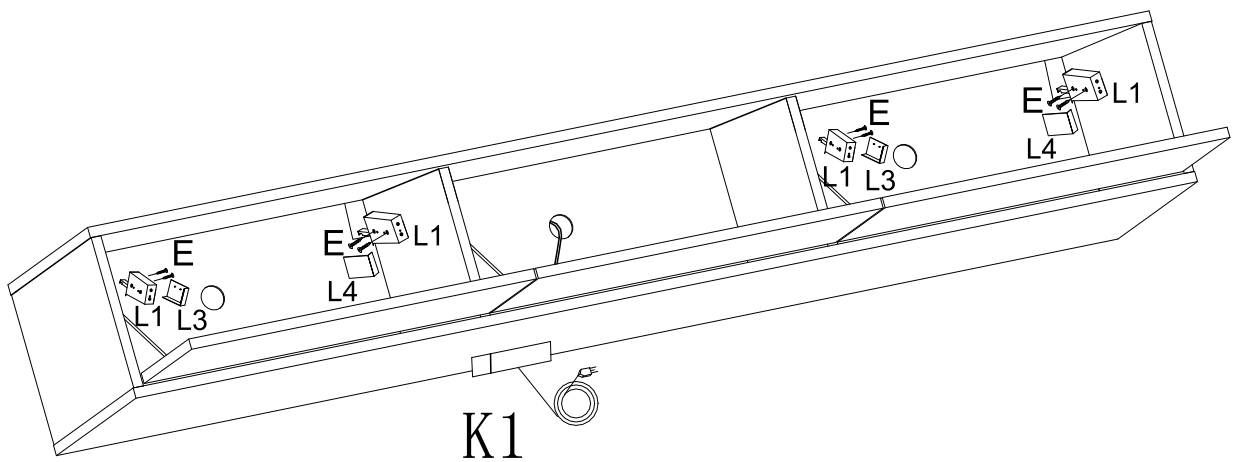




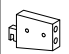

	C× 12PCS
	M× 12PCS

# STEP 12



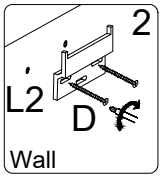
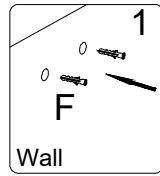
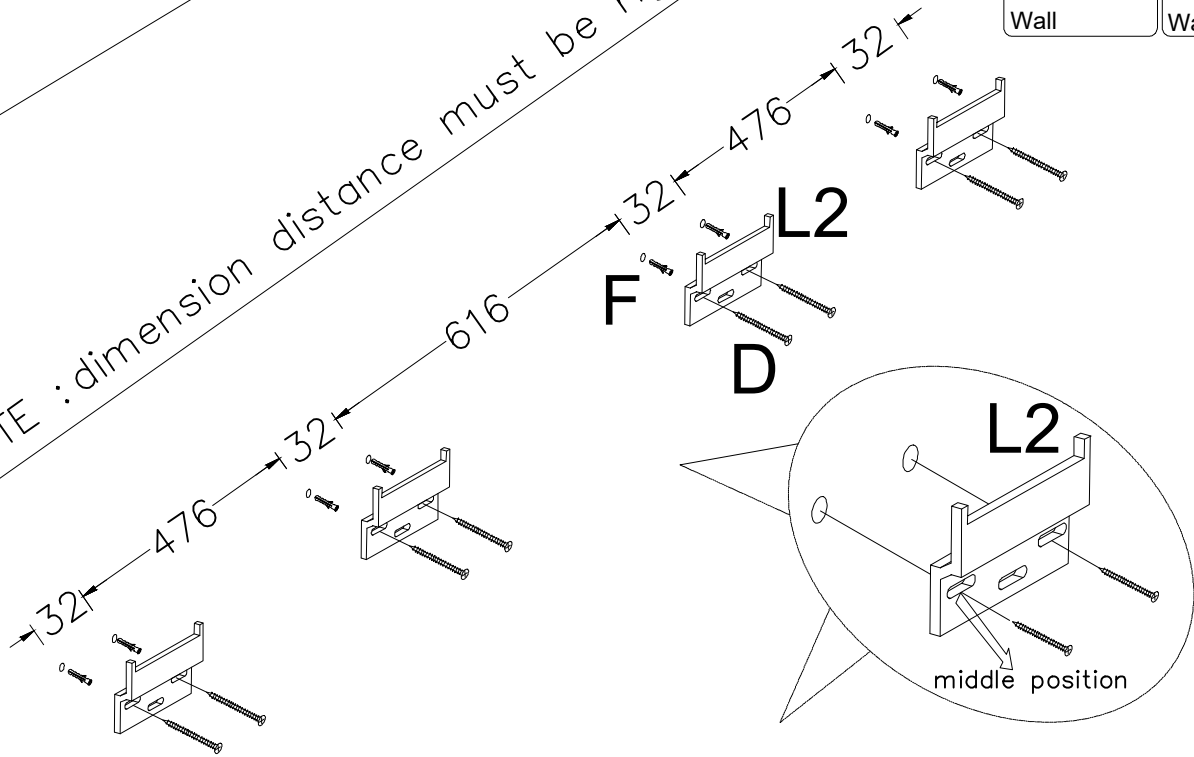
# STEP 13



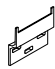


	E × 8PCS		L3 × 2PCS
	L1 × 4PCS		L4 × 2PCS

# STEP 14

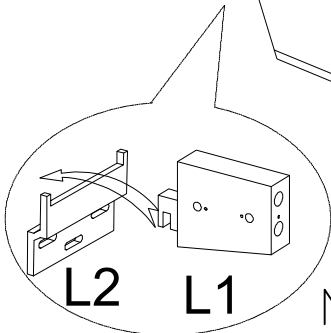
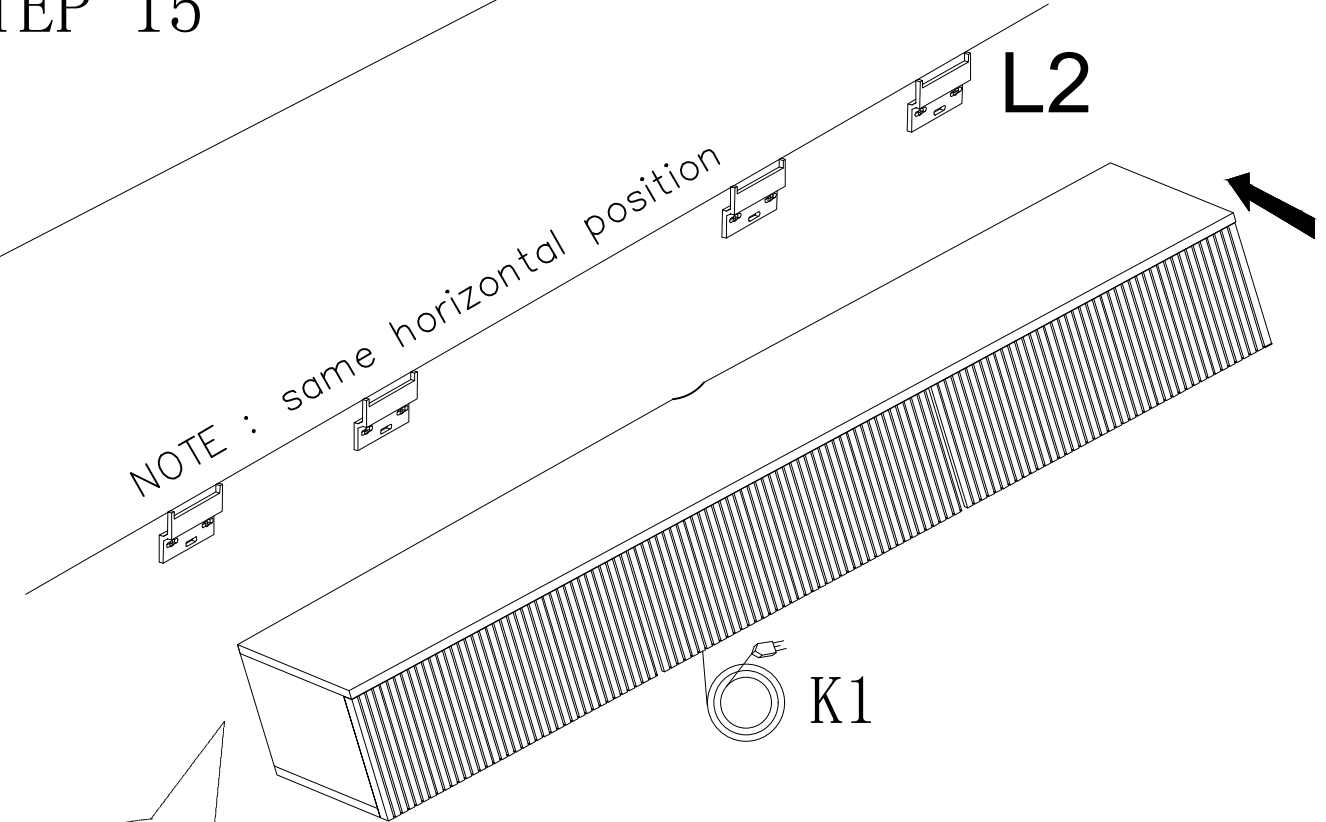
NOTE : dimension distance must be right !



	<b>DX 8PCS</b>		<b>FX 8PCS</b>		<b>L2 X 4PCS</b>
---	----------------	---	----------------	---	------------------

# STEP 15

NOTE : same horizontal position



NOTE : install the cabinet on the L2 !