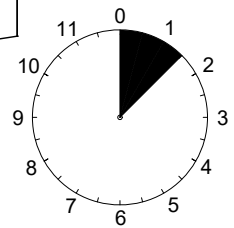
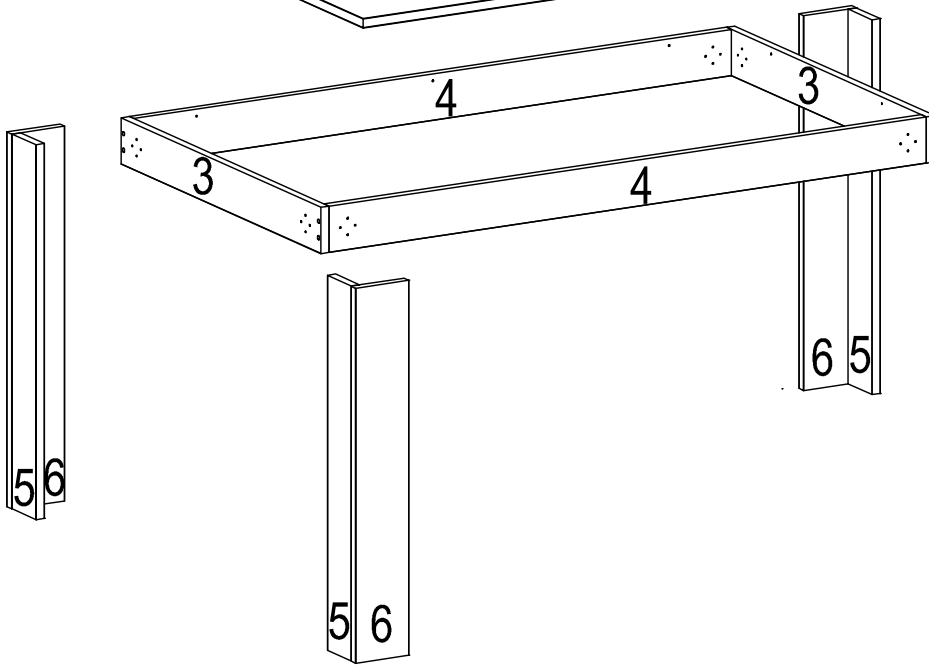
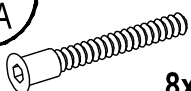
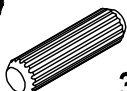

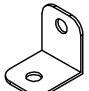
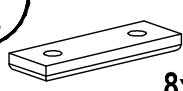





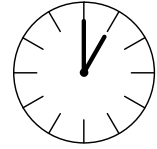
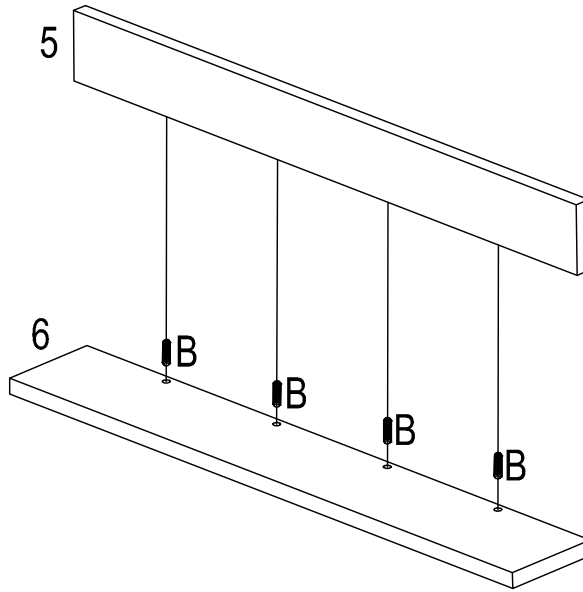
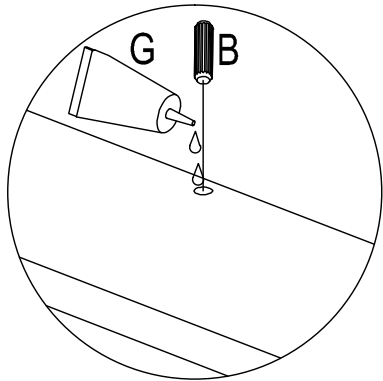
1	2 x
2	1 x
3	2 x
4	2 x
5	4 x
6	4 x



A	 8x	B	 34x	C	 3.5x16 36x	D	 10x	E	 8x	F	 3.5x30 32x
G	 2x	H	 SW6 1x								

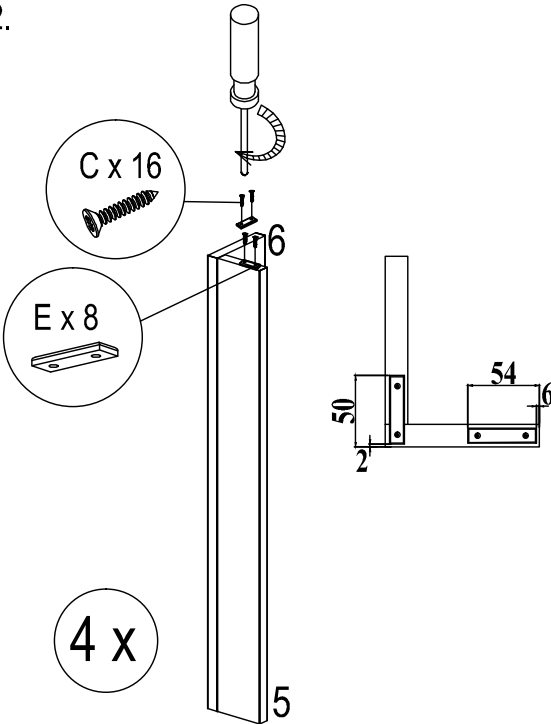
I.

1.



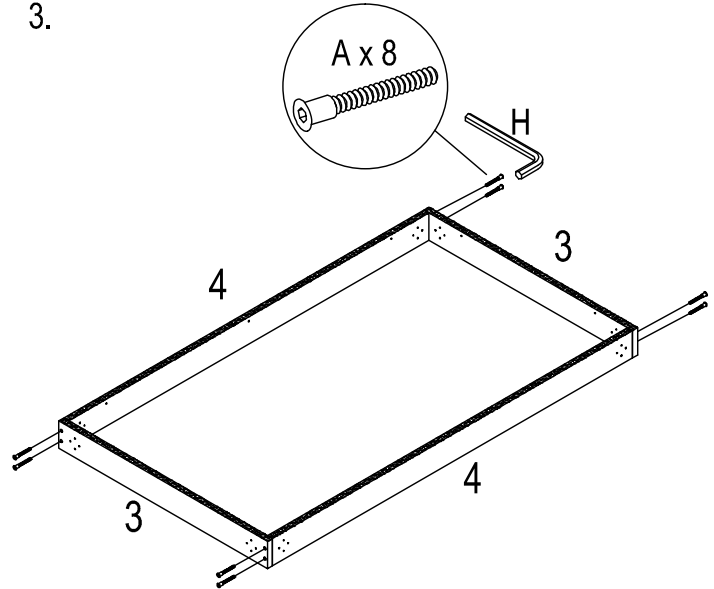
4 x

2.

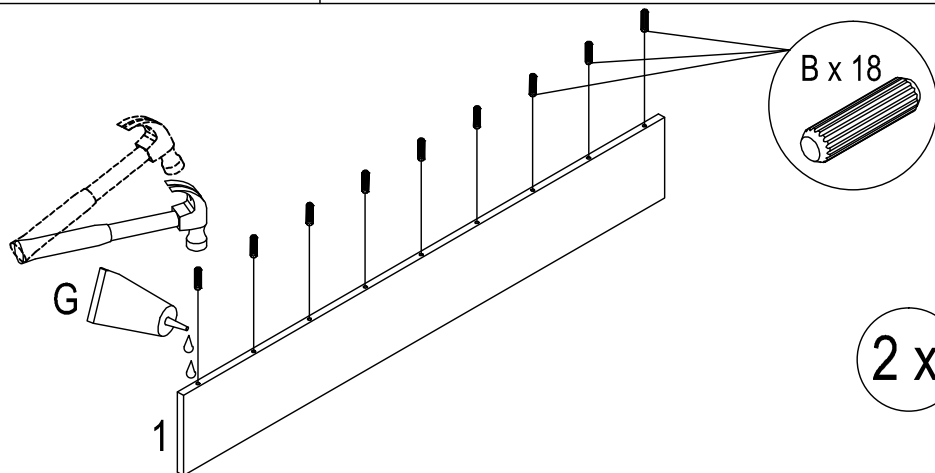


4 x

3.



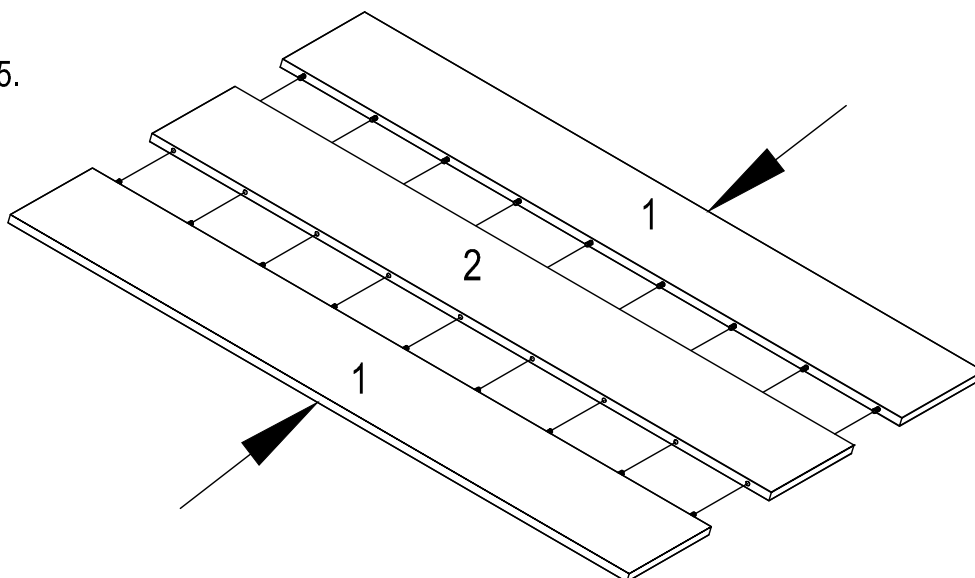
4.



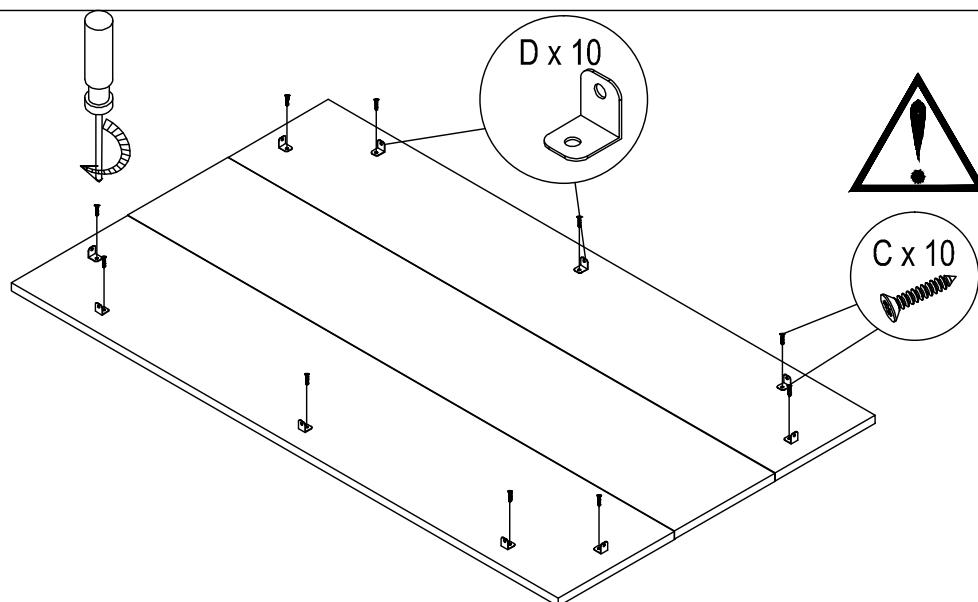
2 x

II.

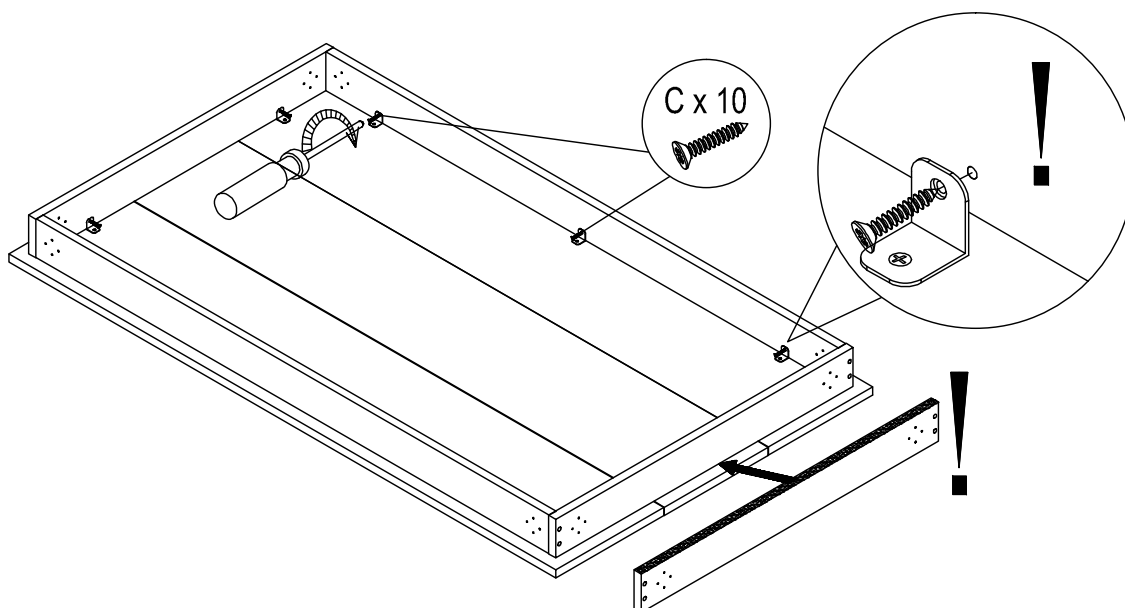
5.



6.

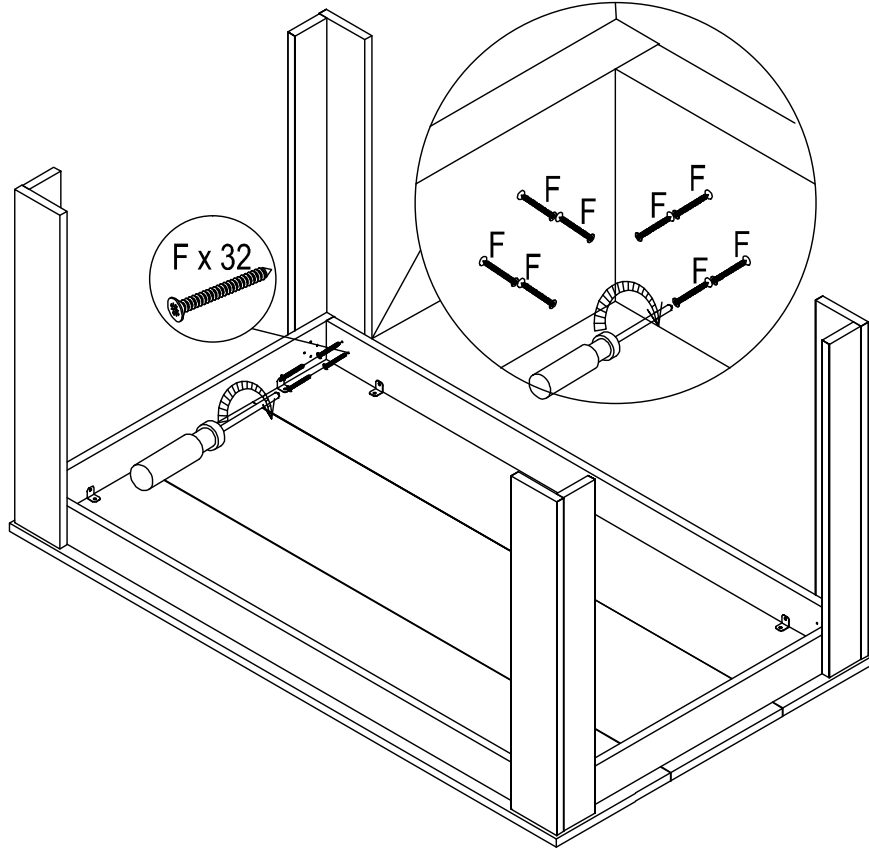


7.



III.

8.



9.

