

# *ASSEMBLY INSTRUCTIONS*



*VANITY SET*

# ASSEMBLY INSTRUCTIONS

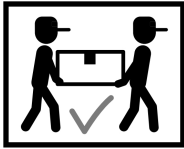
## ASSEMBLY TIPS:

1. Remove hardware from box and sort by size.
2. Please check to see that all hardware and parts are present prior to start of assembly.
3. Please follow attached instructions in the same sequence as numbered to assure fast & easy assembly.



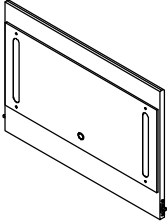
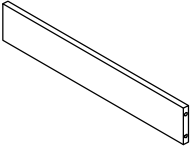
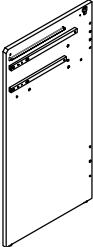
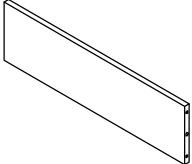
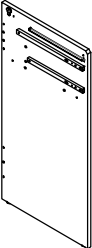
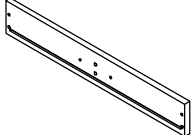
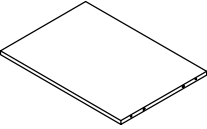
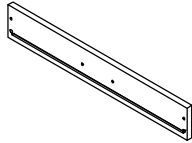
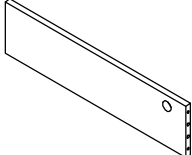
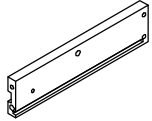
### WARNING!

1. Don't attempt to repair or modify parts that are broken or defective. Please contact the store immediately.
2. This product is for home use only and not intended for commercial establishments.



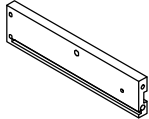
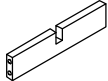
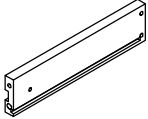
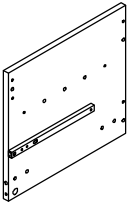
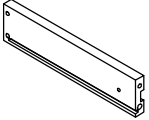
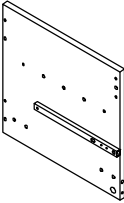
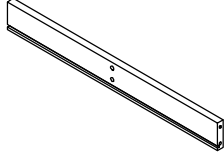
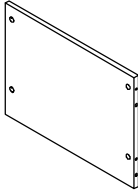
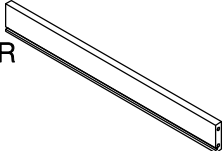
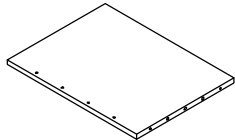
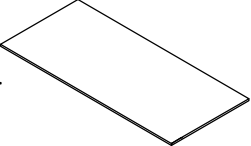
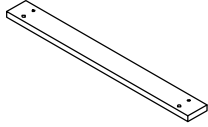
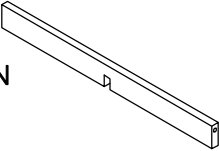
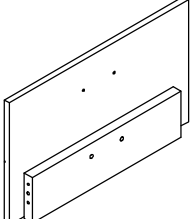
ASSEMBLY TIME 99 MINUTES

## PARTS IDENTIFICATION

A	TOP PANEL		1PC	F	SMALL SUPPORT PANEL		1PC
B	LEFT PANEL		1PC	G	BOTTOM BACK PANEL		1PC
C	RIGHT PANEL		1PC	H	TOP DRAWER FRONT PANEL		1PC
D	MIDDLE BOTTOM PANEL		1PC	I	BOTTOM DRAWER FRONT PANEL		1PC
E	BACK PANEL		1PC	J	TOP DRAWER LEFT PANEL		1PC

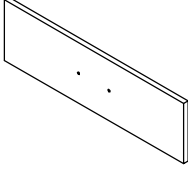
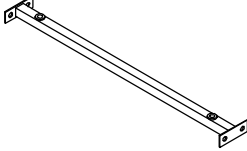
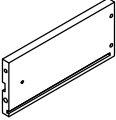

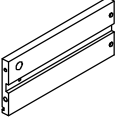
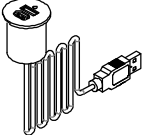
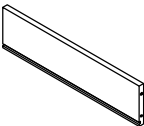
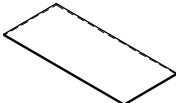
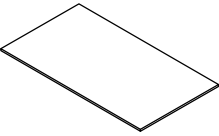
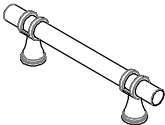
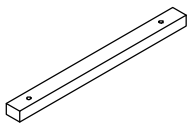

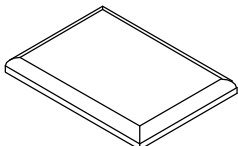
# ASSEMBLY INSTRUCTIONS

## PARTS IDENTIFICATION

K	TOP DRAWER RIGHT PANEL		1PC	R	SHORT DRAWER INNER PARTITION		1PC
L	BOTTOM DRAWER LEFT PANEL		1PC	S	CHAIR LEFT PANEL		1PC
M	BOTTOM DRAWER RIGHT PANEL		1PC	T	CHAIR RIGHT PANEL		1PC
N	TOP DRAWER BACK PANEL		1PC	U	CHAIR BACK PANEL		1PC
O	BOTTOM DRAWER BACK PANEL		1PC	V	CHAIR MIDDLE PANEL		1PC
P	DRAWER BOTTOM PANEL		2PCS	A1	CHAIR BOTTOM FRONT PANEL		1PC
Q	LONG DRAWER INNER PARTITION		1PC	A2	CHAIR TOP FRONT PANEL		1PC

# ASSEMBLY INSTRUCTIONS



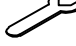


## PARTS IDENTIFICATION

A3	CHAIR DRAWER FRONT PANEL		1PC	A10	CROSSBAR		2PCS
A4	CHAIR DRAWER LEFT PANEL		1PC	A11	POWER ADAPTER		1PC
A5	CHAIR DRAWER RIGHT PANEL		1PC	A12	USB PORT		1PC
A6	CHAIR DRAWER BACK PANEL		1PC	A13	TOP GLASS		1PC
A7	CHAIR DRAWER BOTTOM PANEL		1PC	A14	HANDLE		5PCS
A8	CUSHION SUPPORT PANEL		2PCS	A15	WHEEL		4PCS
A9	CUSHION SEAT		1PC				

# ASSEMBLY INSTRUCTIONS

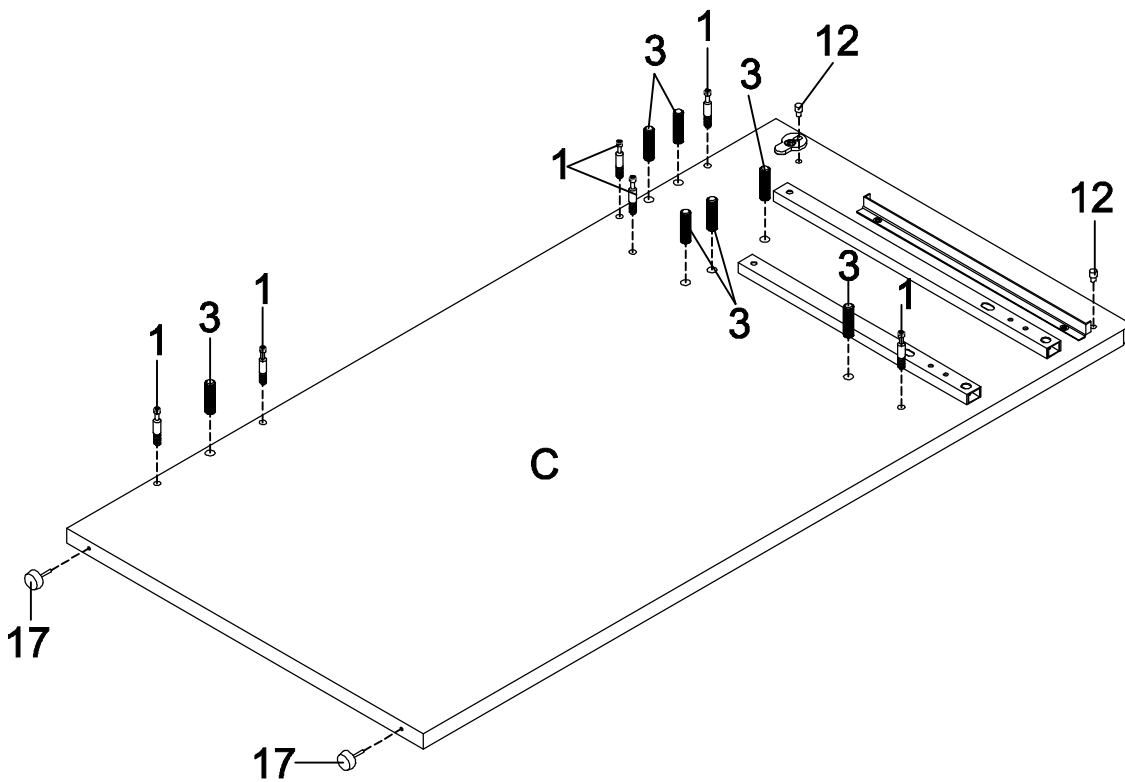
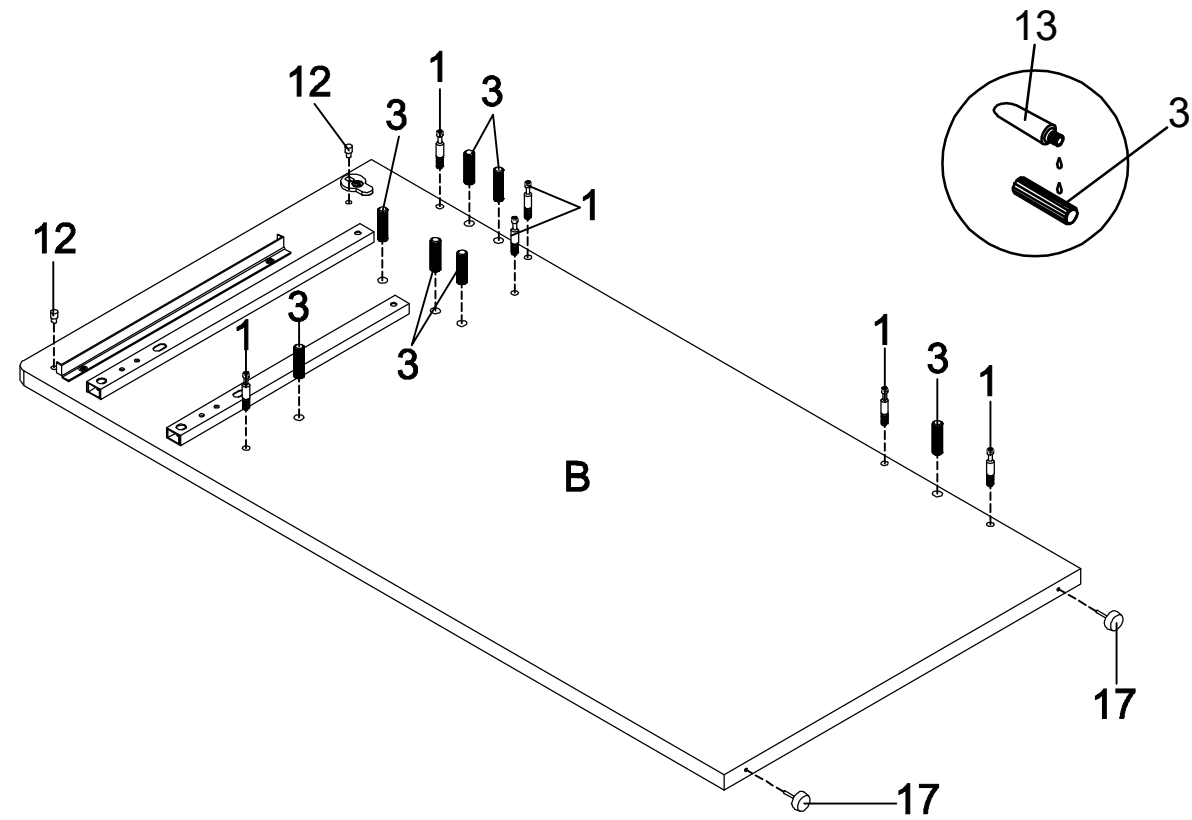
## HARDWARE IDENTIFICATION

Z

1	LARGE CAM BOLT (35MM)		28PCS	11	STICKER		30PCS
2	LARGE CAM-LOCK (Ø15MM)		28PCS	12	SHELF PIN		4PCS
3	WOOD DOWEL (8 x 30mm)		40PCS	13	GLUE		1PC
4	LONG SCREW (8 x 38mm)		16PCS	14	SCREWDRIVER		1PC
5	SCREW (3.5 x 28mm)		4PCS	15	ALLEN WRENCH (4mm)		1PC
6	DRAWER BOLT (5/32" x 12mm)		6PCS	16	HEXAGONAL KEY (8mm)		1PC
7	HANDLE BOLT (M4 x 20mm)		10PCS	17	FOOT PIN		4PCS
8	COARSE THREAD SCREWS (7# x 50mm)		4PCS				
9	BOLT (1/4" x 21mm)		8PCS				
10	SUCTION CUP		4PCS				

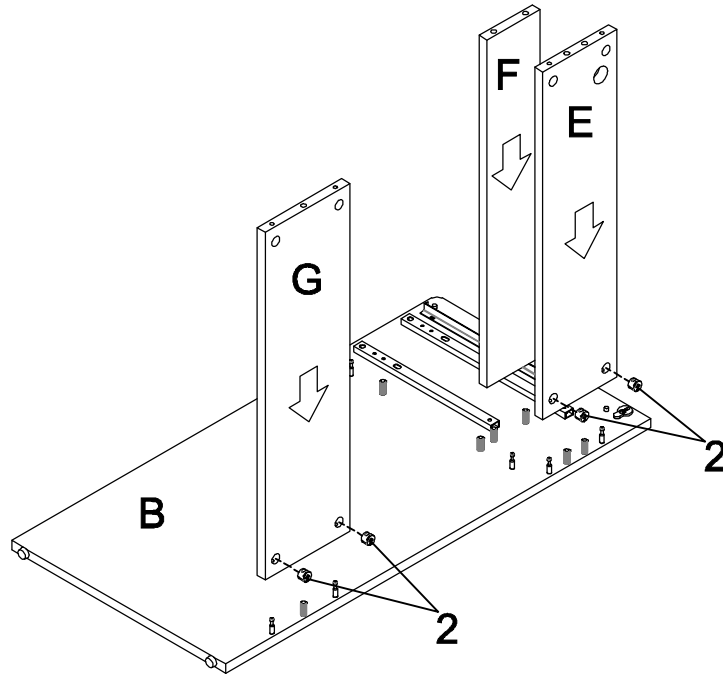
# ASSEMBLY INSTRUCTIONS

**STEP 1** Do not tighten until each step is completed or instructed.

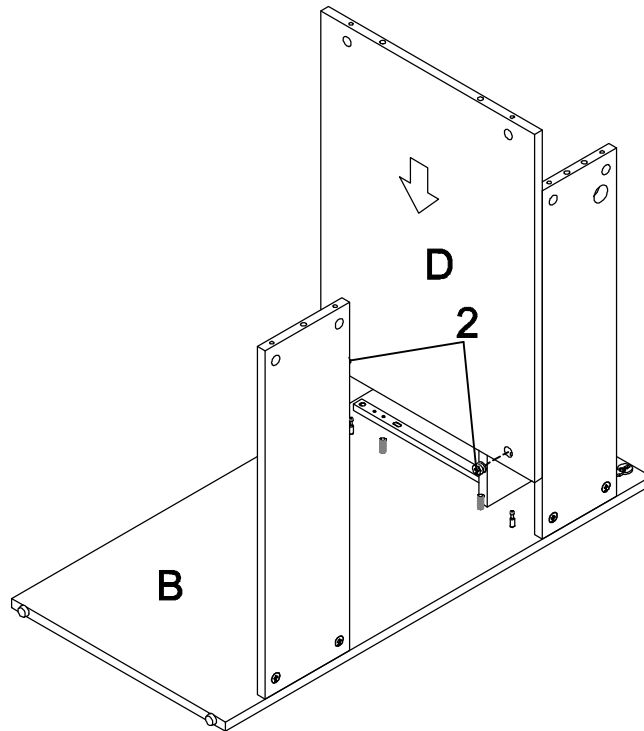


# ASSEMBLY INSTRUCTIONS

## STEP 2

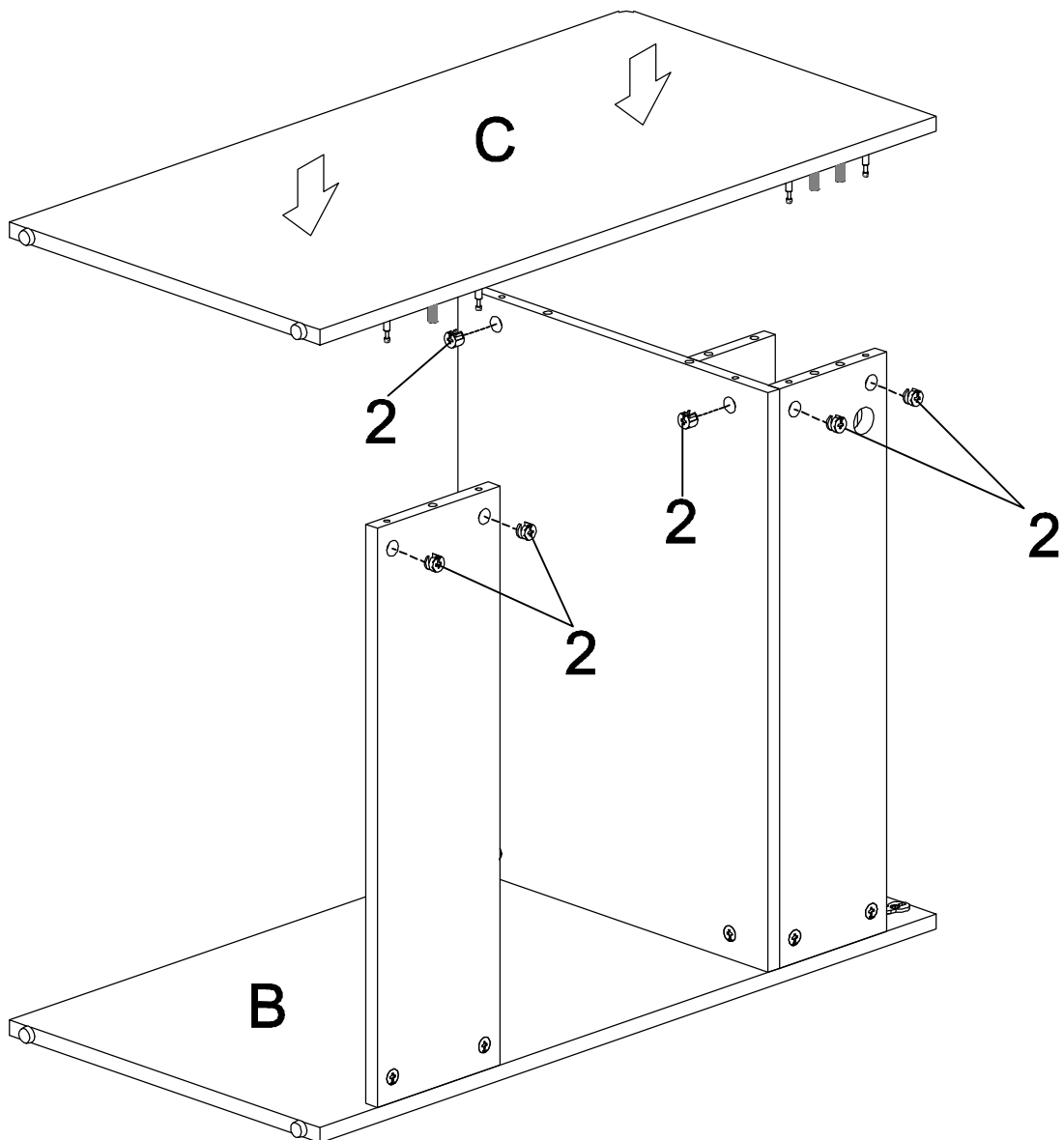


## STEP 3



# ASSEMBLY INSTRUCTIONS

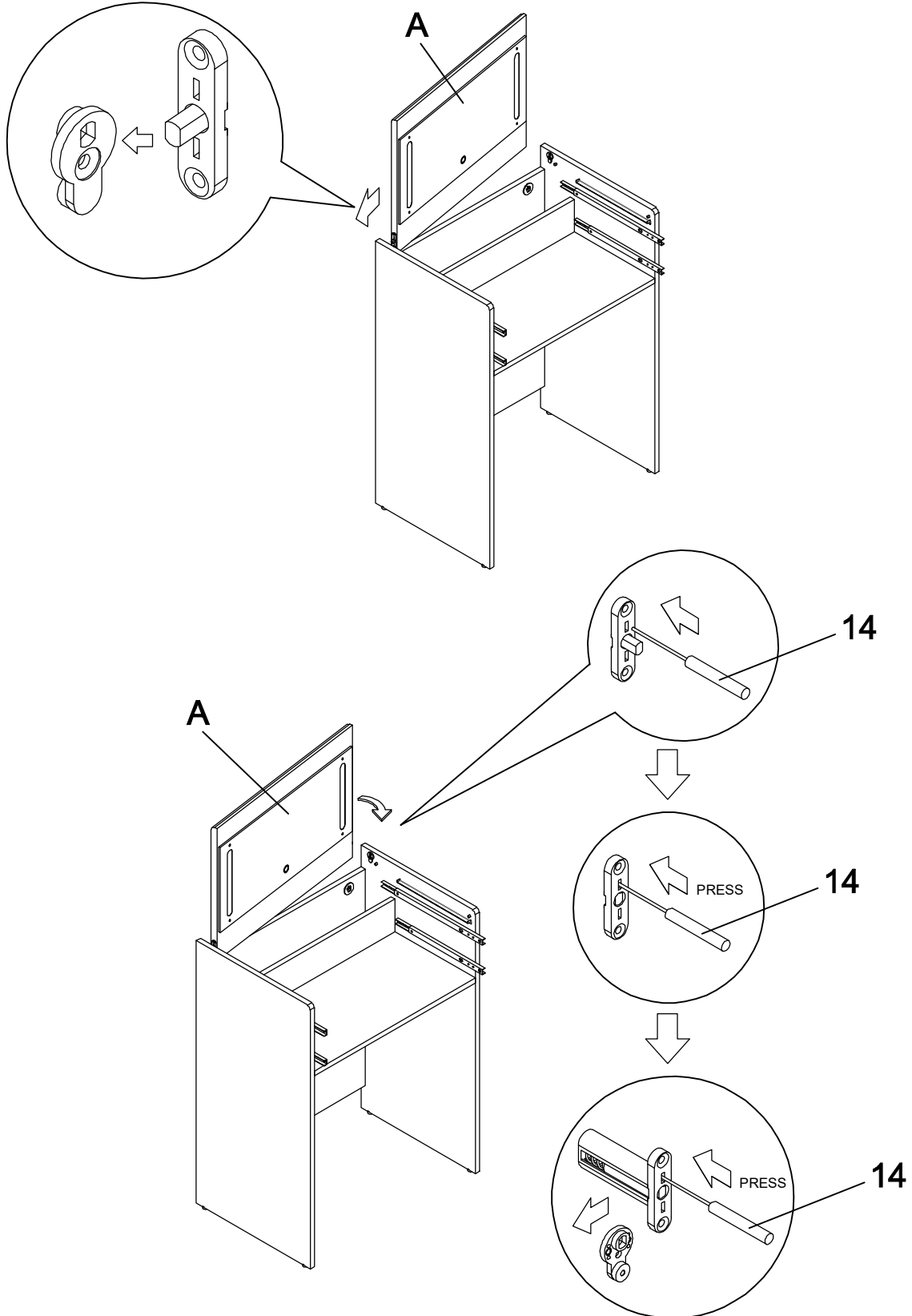
## STEP 4





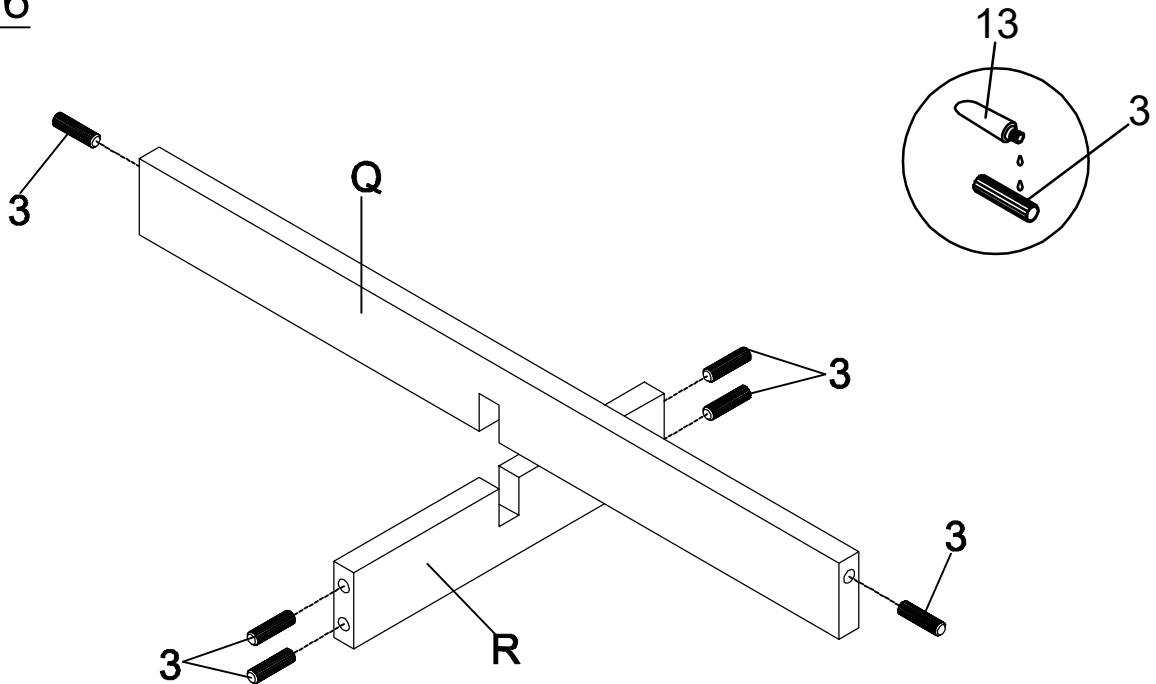
# ASSEMBLY INSTRUCTIONS

## STEP 5

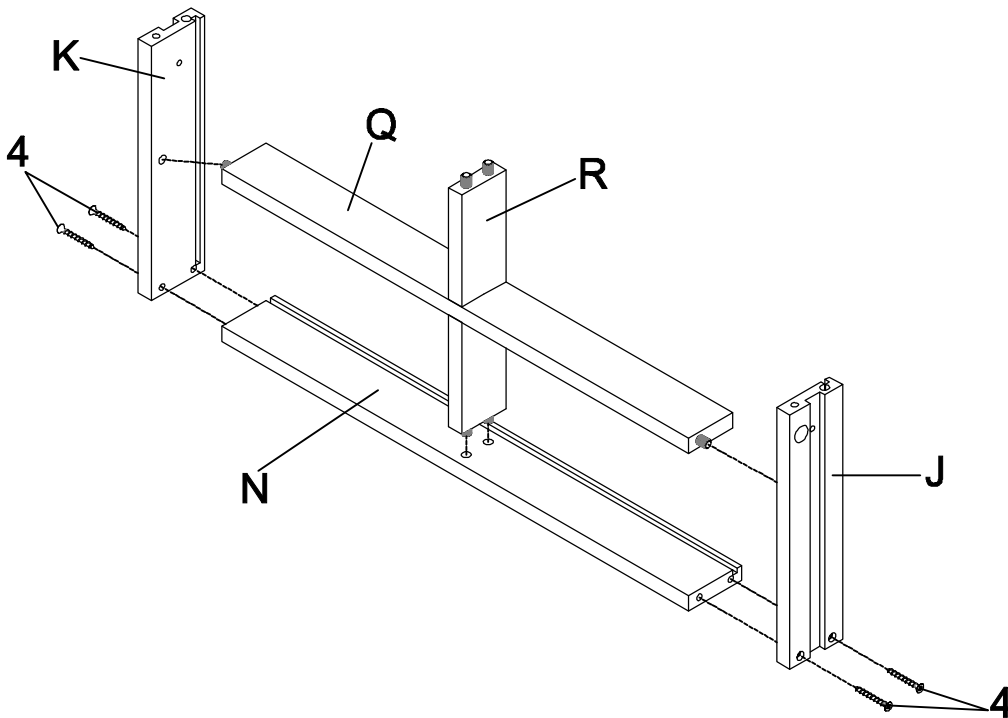


# ASSEMBLY INSTRUCTIONS

## STEP 6

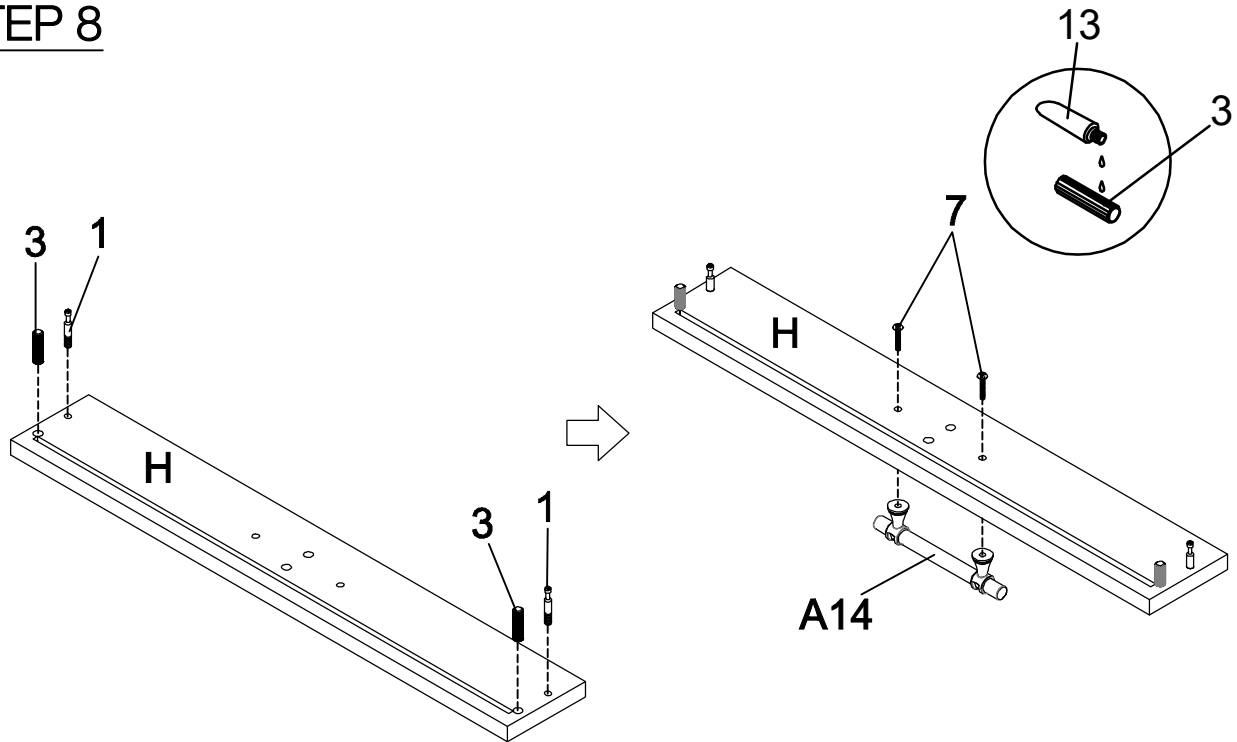


## STEP 7

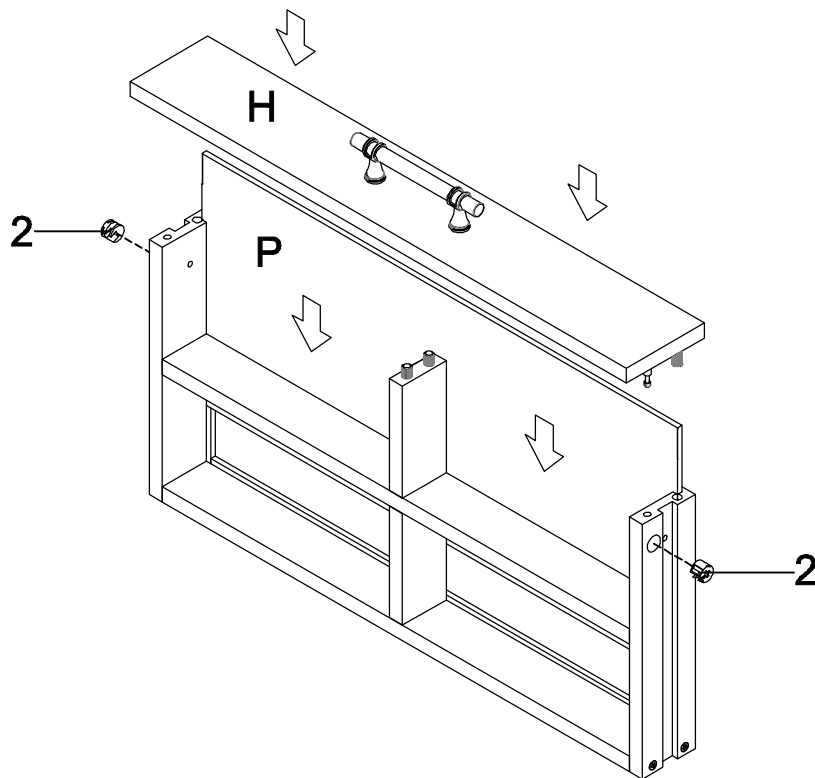


# ASSEMBLY INSTRUCTIONS

## STEP 8

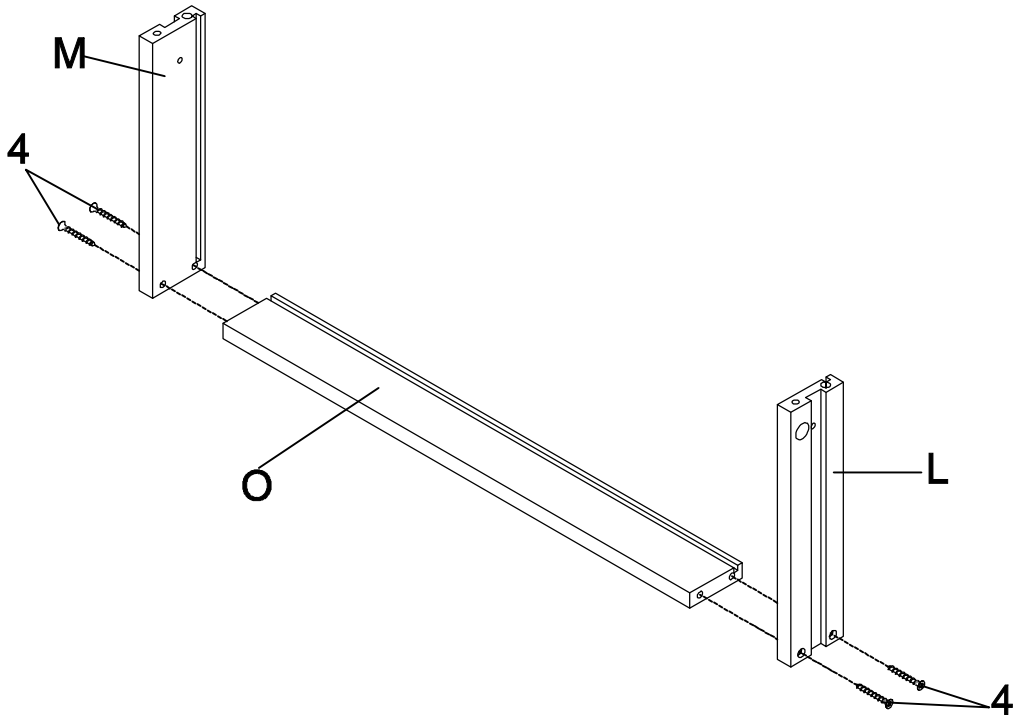


## STEP 9

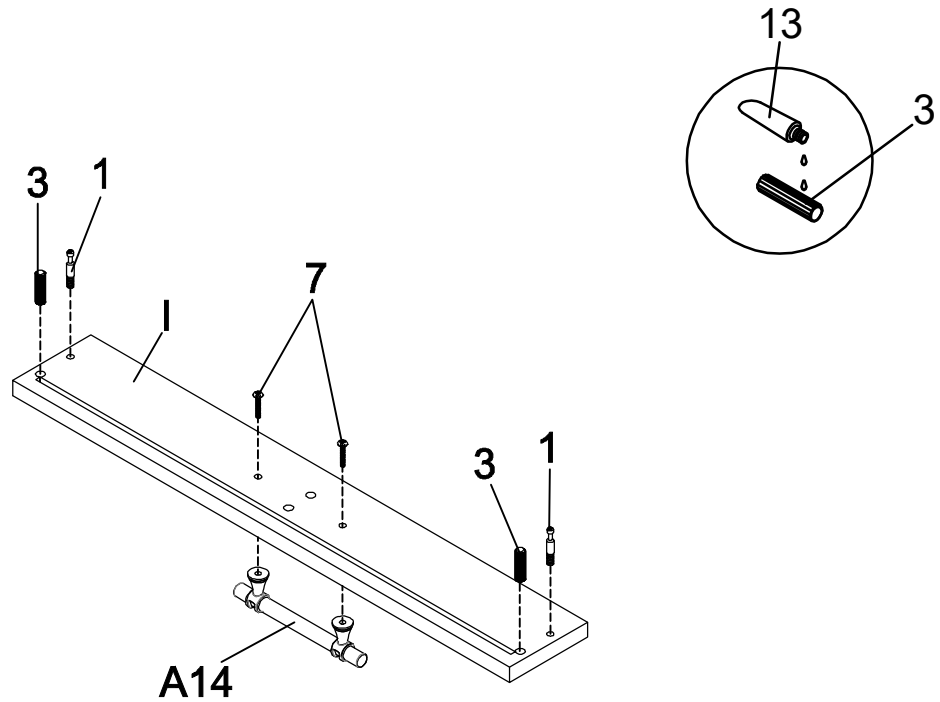


# ASSEMBLY INSTRUCTIONS

## STEP 10

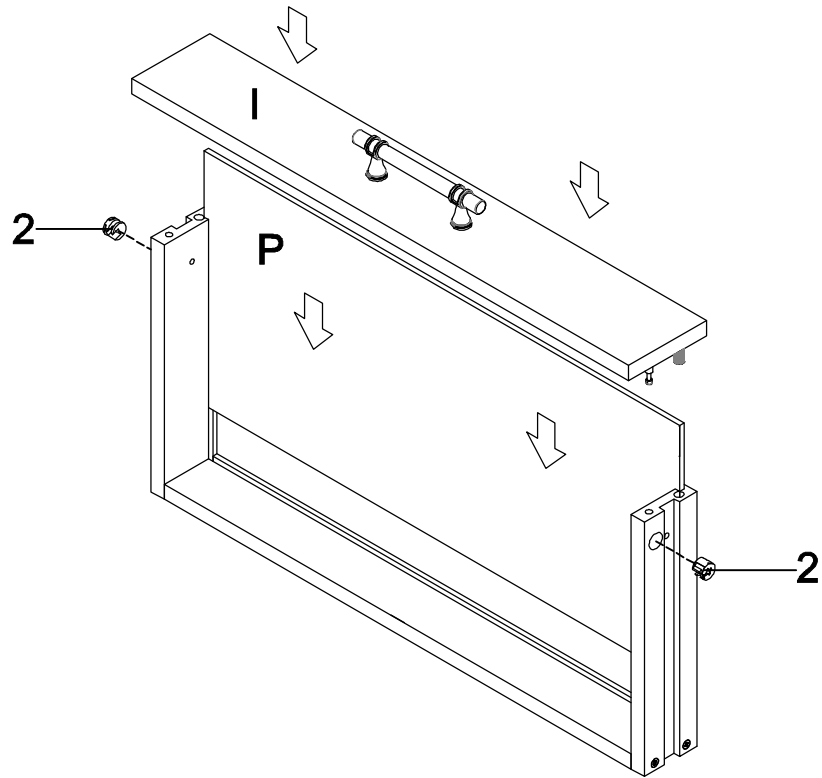


## STEP 11

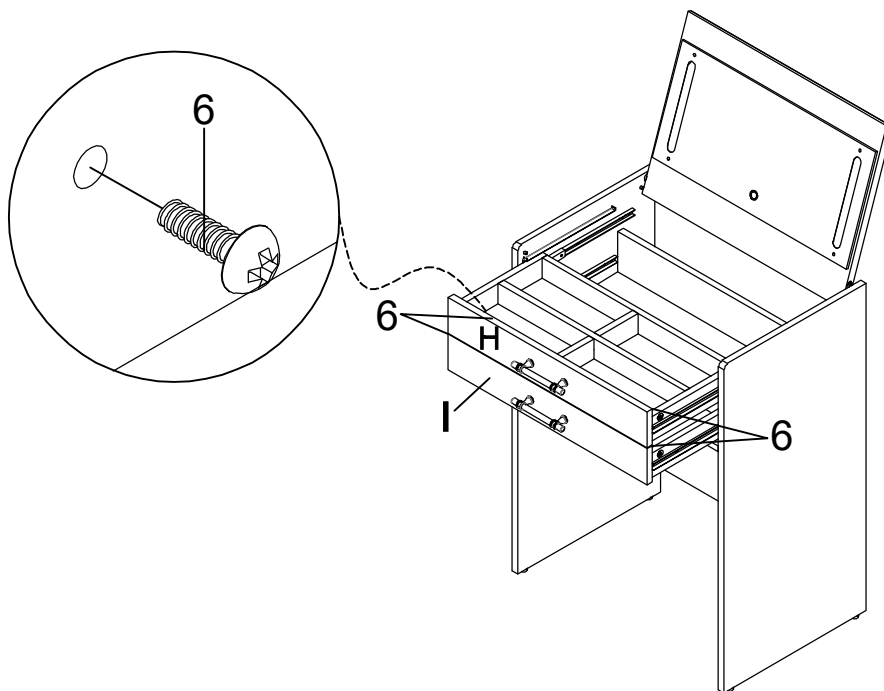


# ASSEMBLY INSTRUCTIONS

## STEP 12

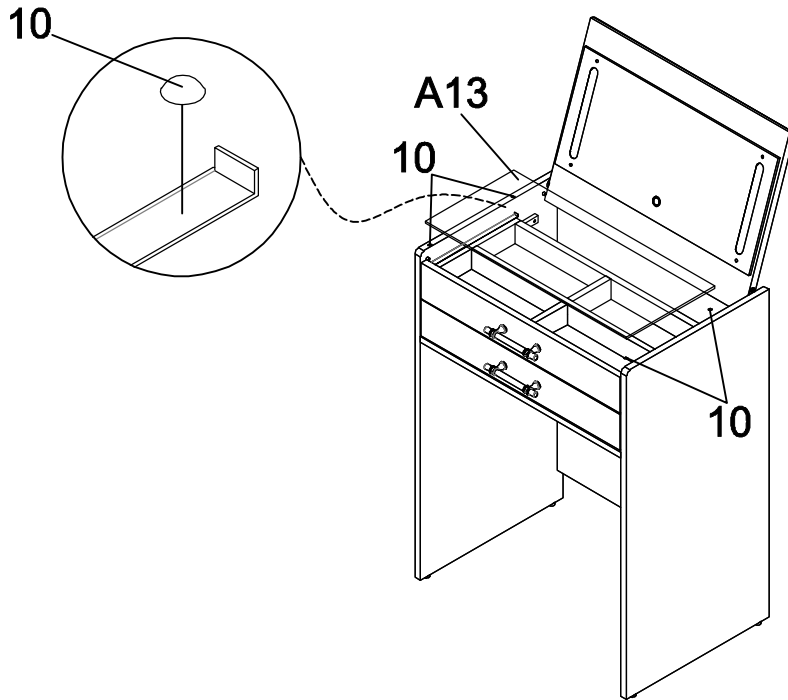


## STEP 13

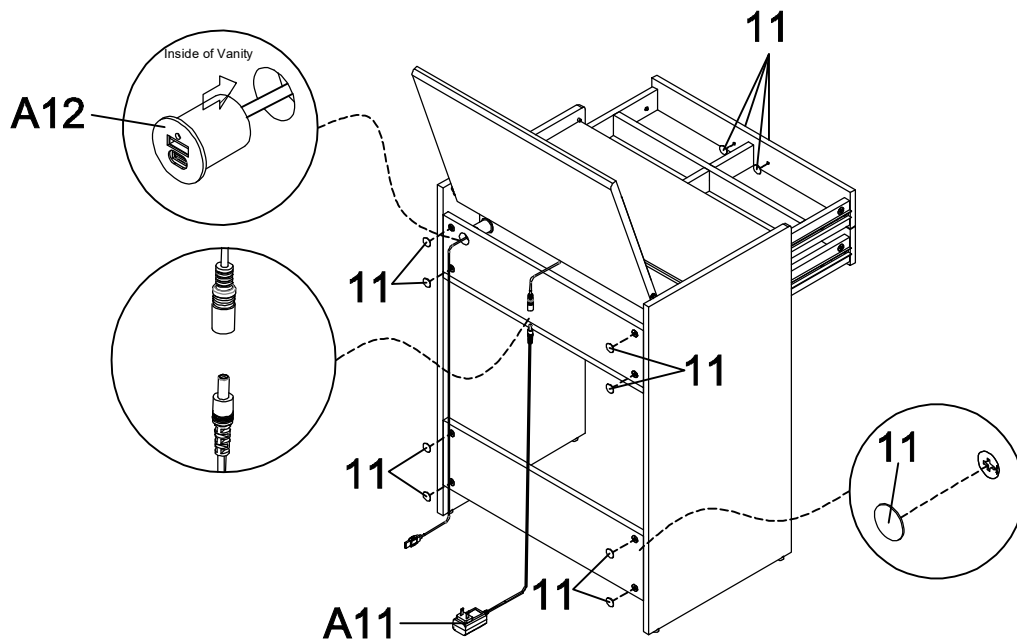


# ASSEMBLY INSTRUCTIONS

## STEP 14

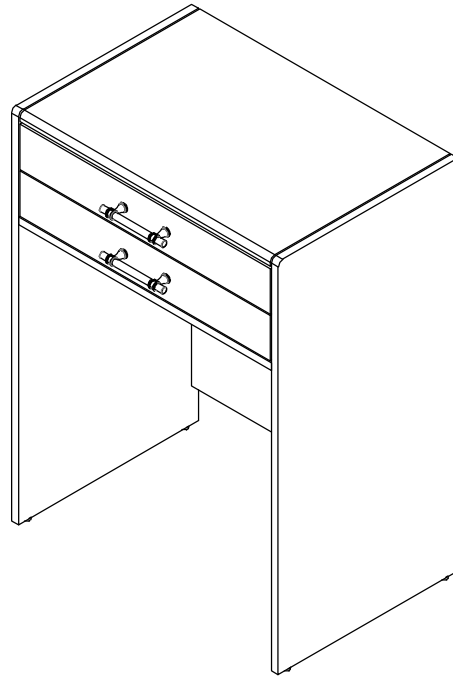


## STEP 15

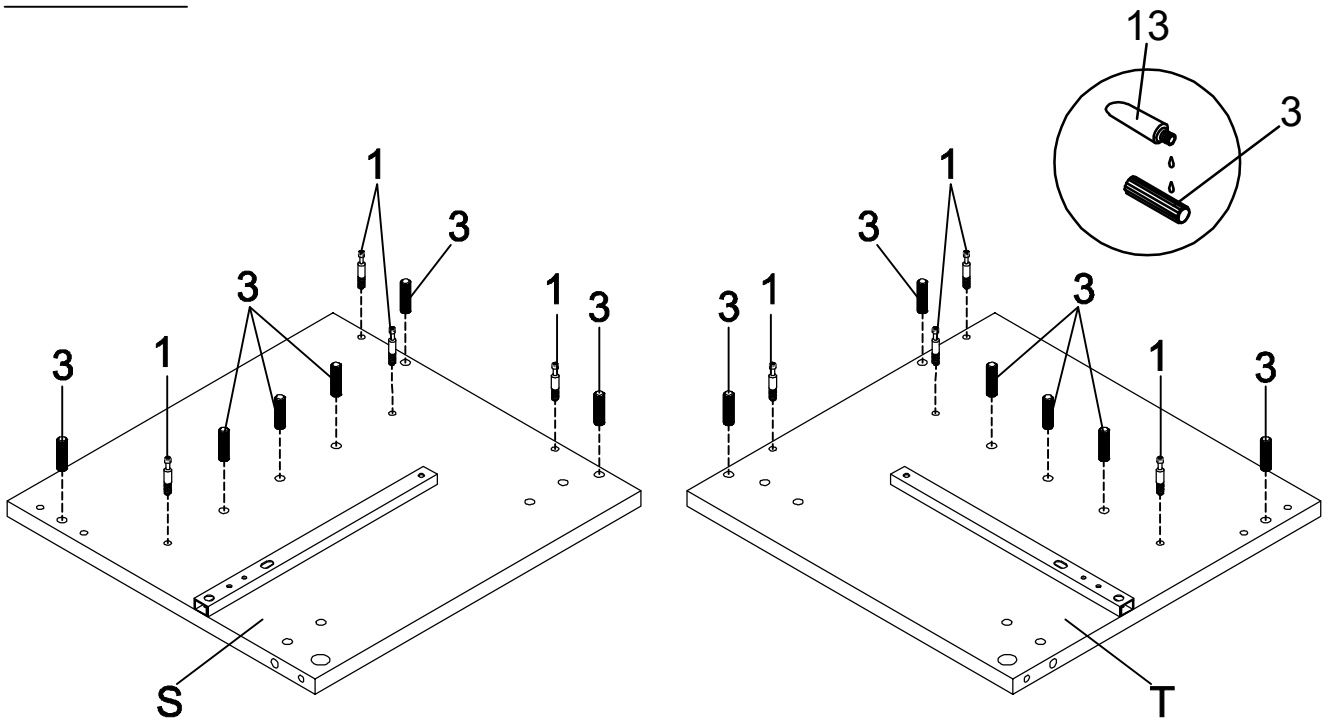


# ASSEMBLY INSTRUCTIONS

STEP 16  
COMPLETE

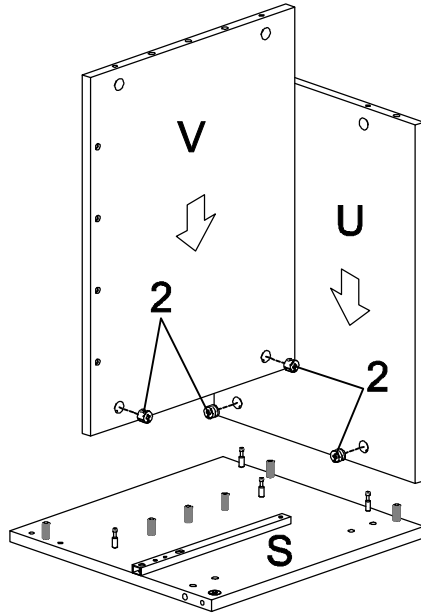


## STEP 17

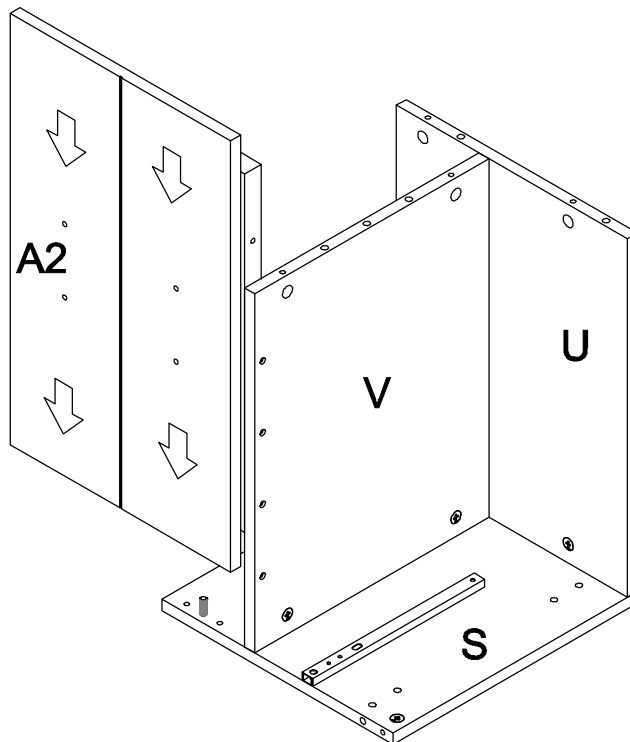


# ASSEMBLY INSTRUCTIONS

## STEP 18



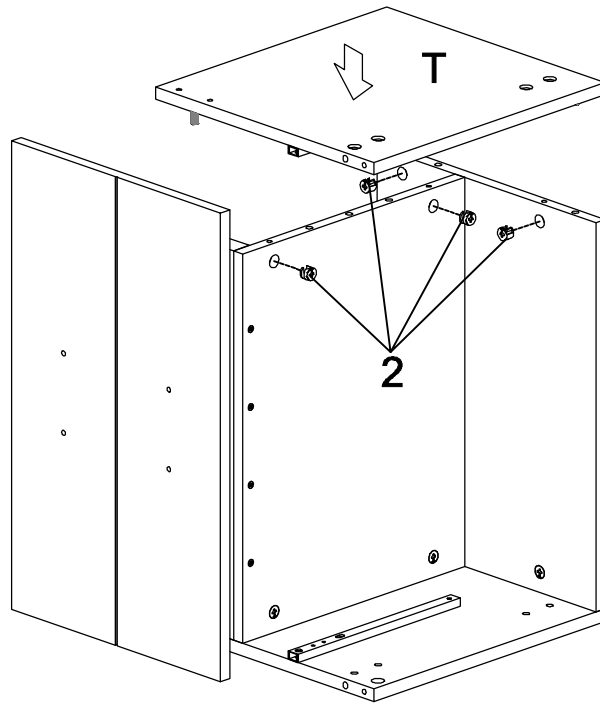
## STEP 19



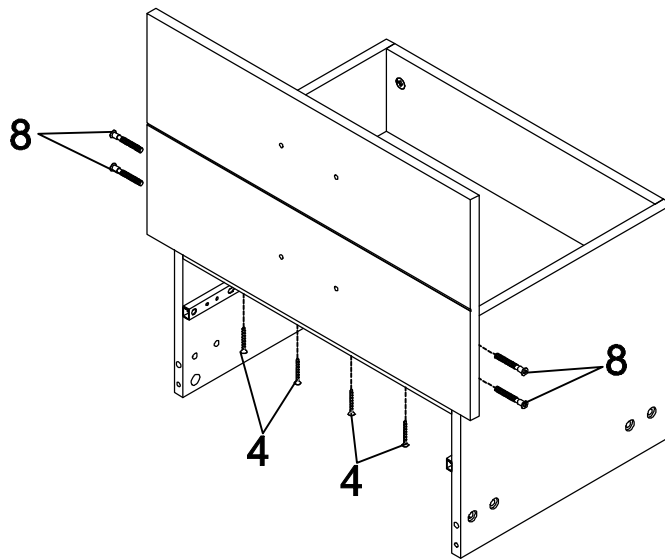


# ASSEMBLY INSTRUCTIONS

## STEP 20

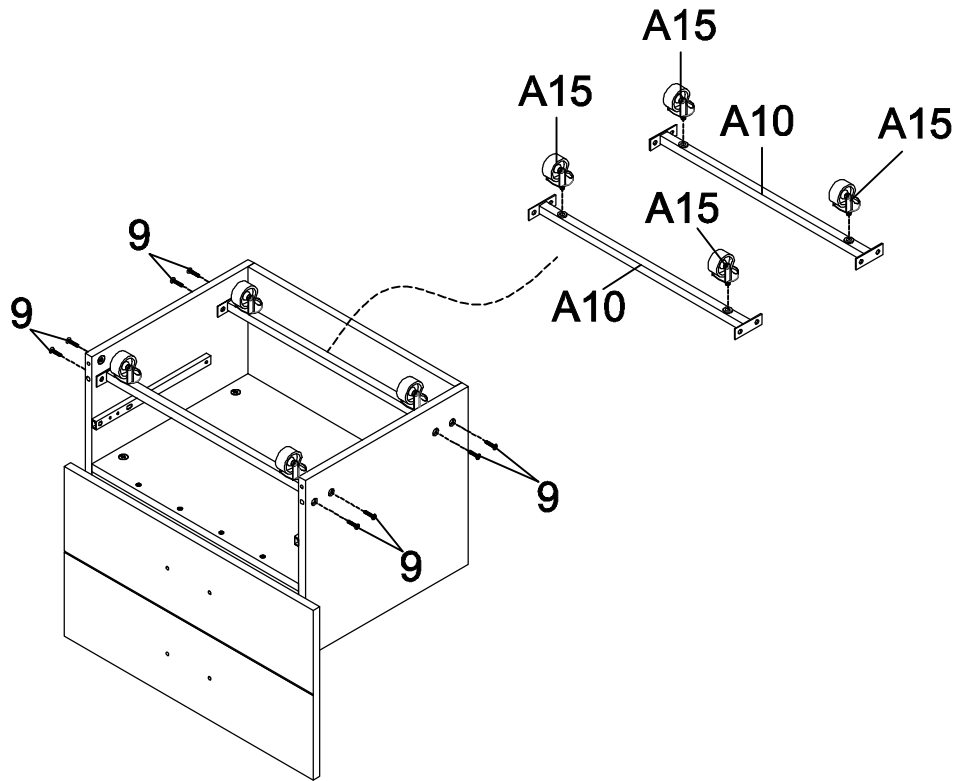


## STEP 21

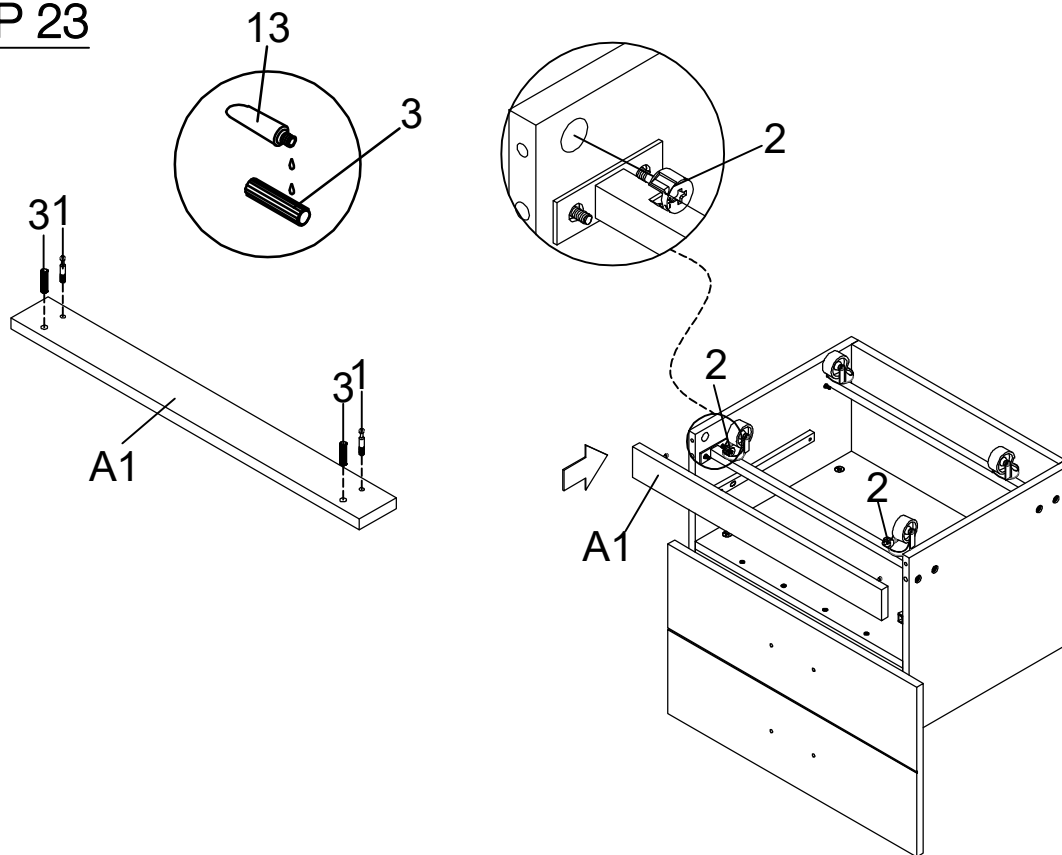


# ASSEMBLY INSTRUCTIONS

## STEP 22

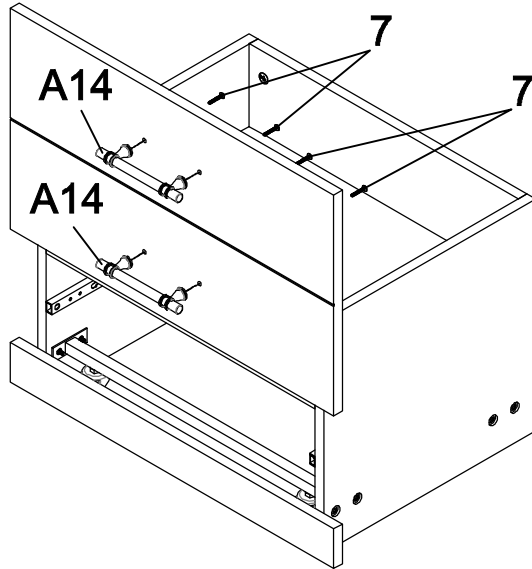


## STEP 23

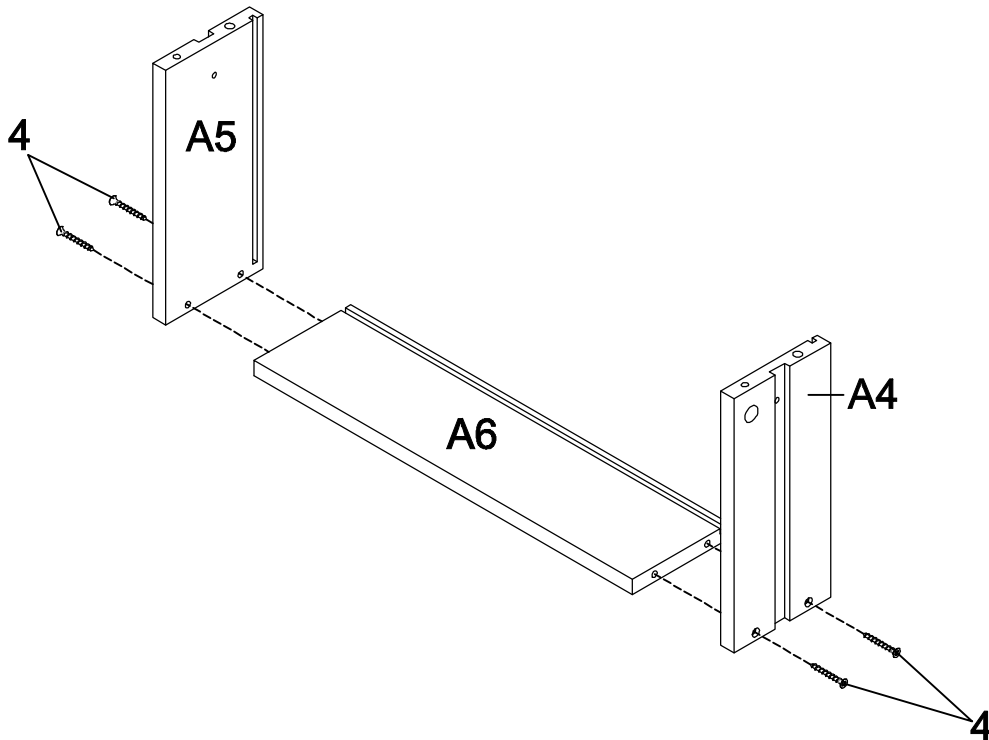


# ASSEMBLY INSTRUCTIONS

## STEP 24

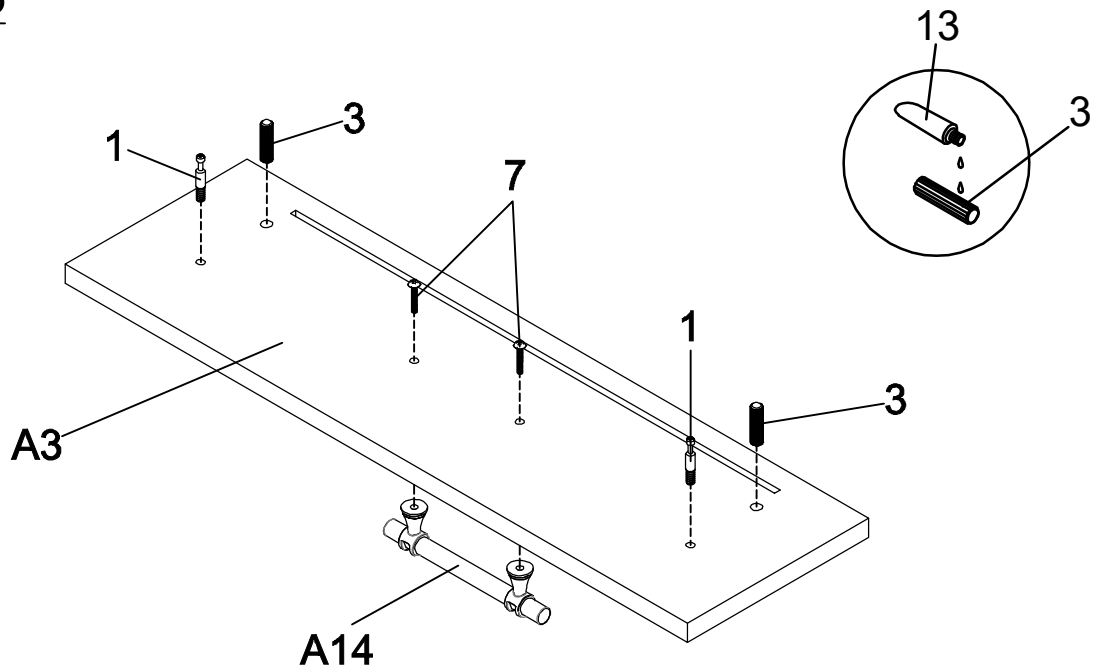


## STEP 25

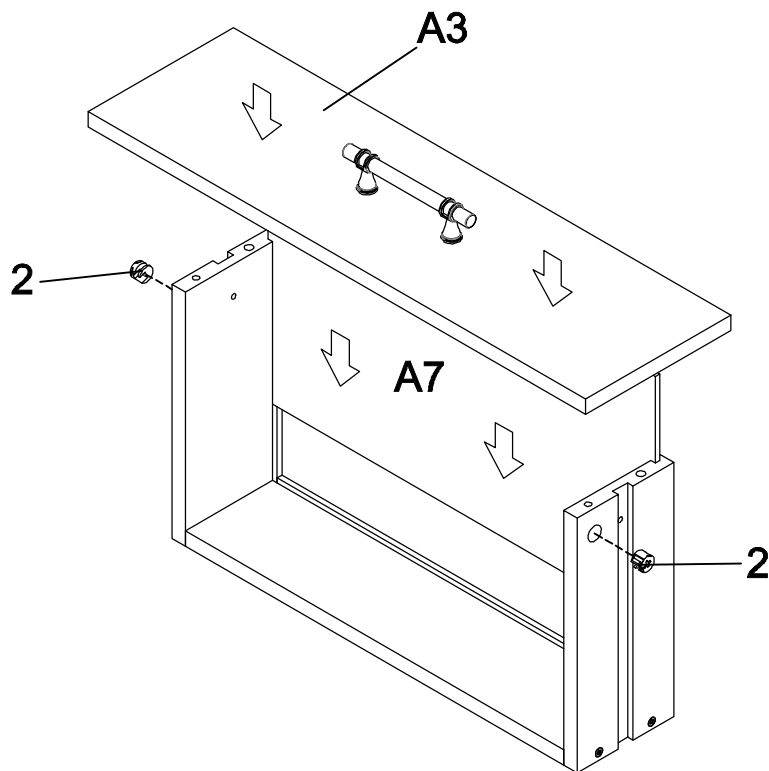


# ASSEMBLY INSTRUCTIONS

## STEP 26

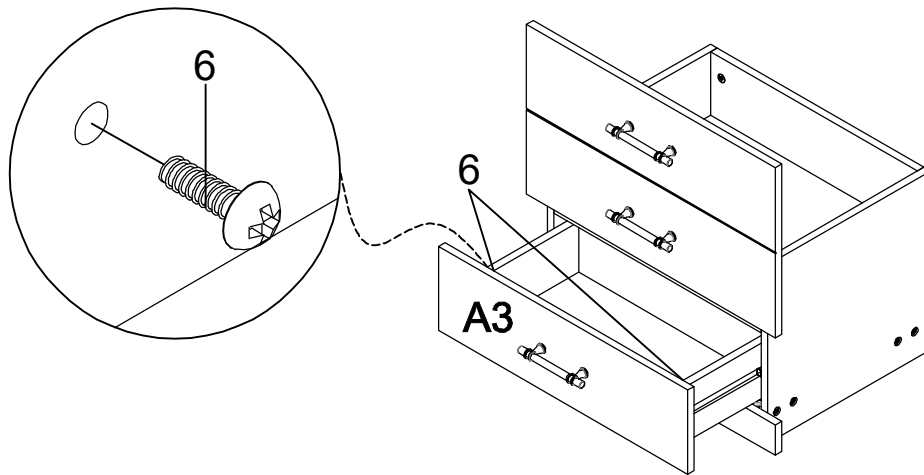


## STEP 27

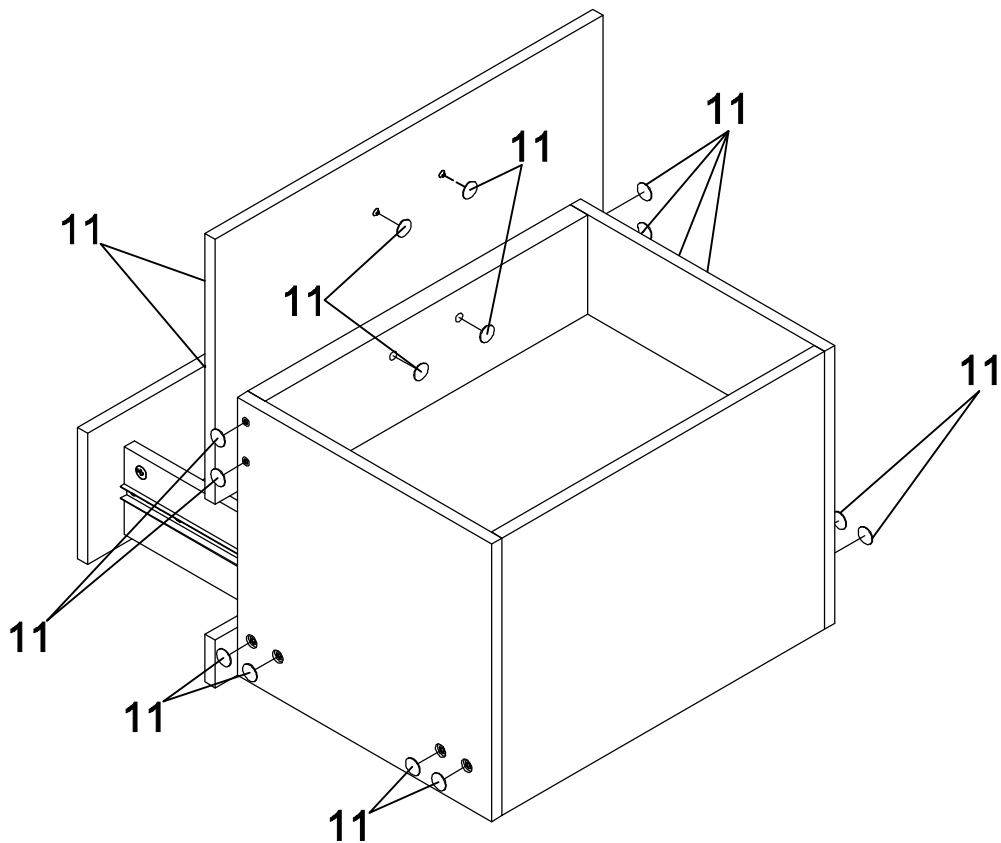


# ASSEMBLY INSTRUCTIONS

## STEP 28

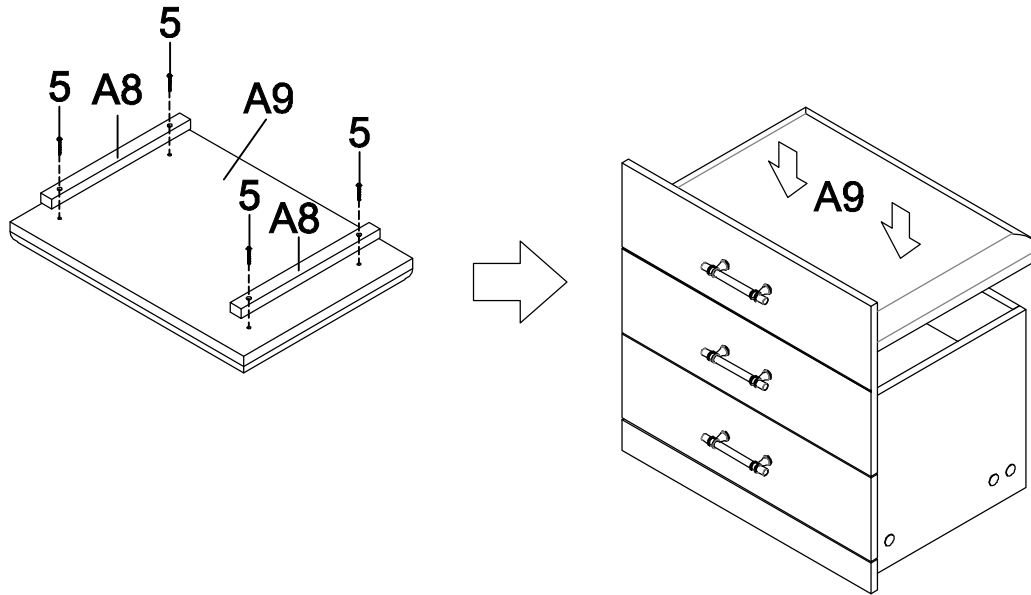


## STEP 29



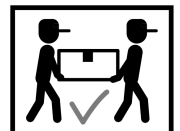
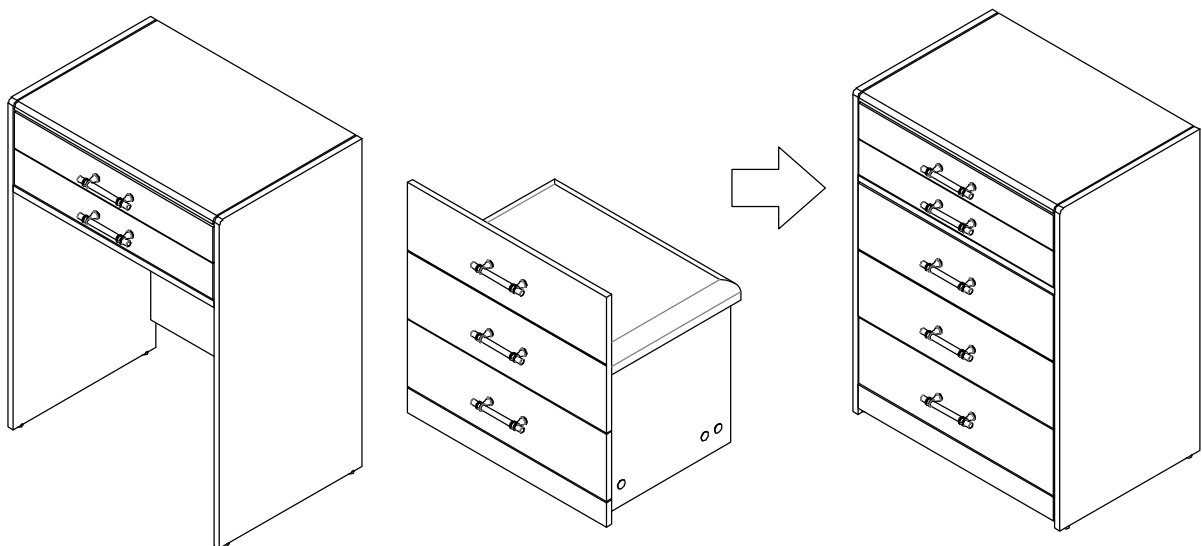
# ASSEMBLY INSTRUCTIONS

## STEP 30



## STEP 31

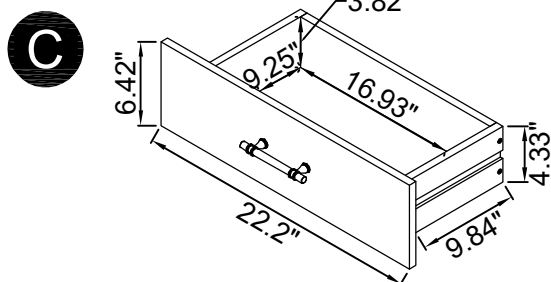
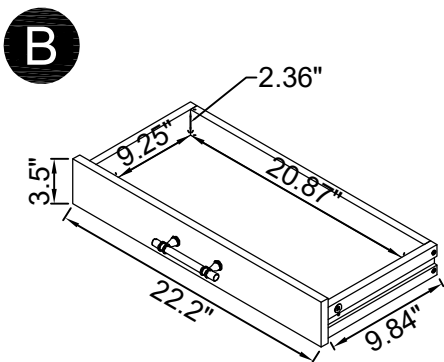
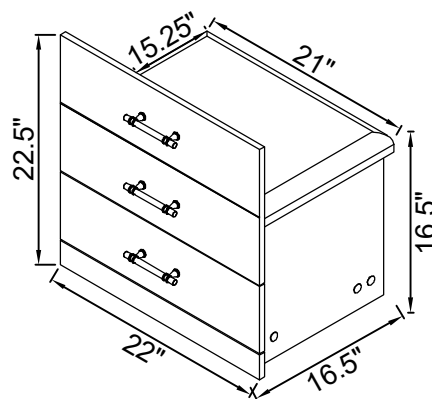
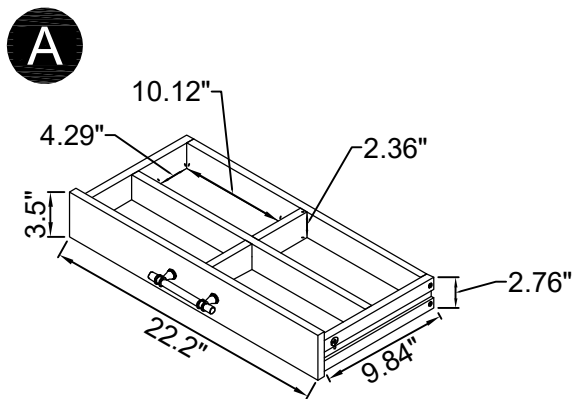
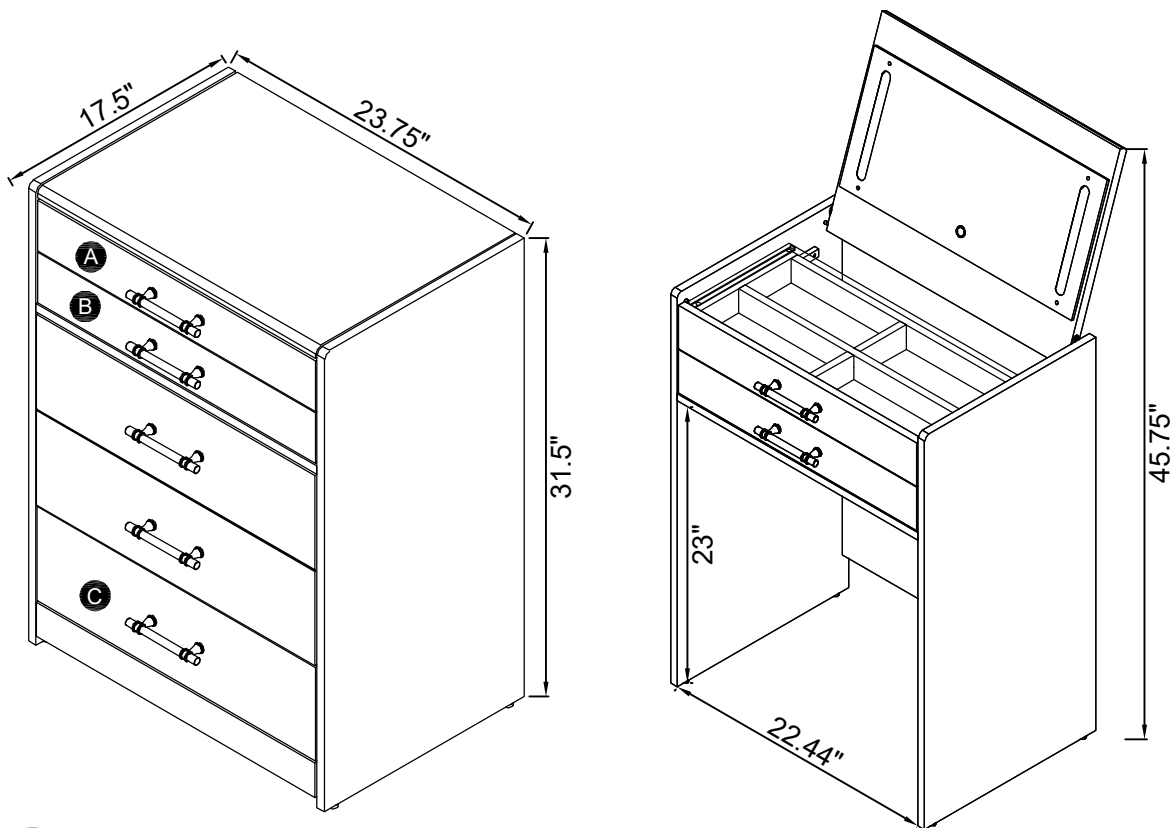
### COMPLETE



# ASSEMBLY INSTRUCTIONS

Product Size : 603 X 445 X 800~1162 H (MM)

Product Size : 23.75" X 17.5" X 31.5"~45.75"



Note : Dimension tolerance  $\pm 5\%$