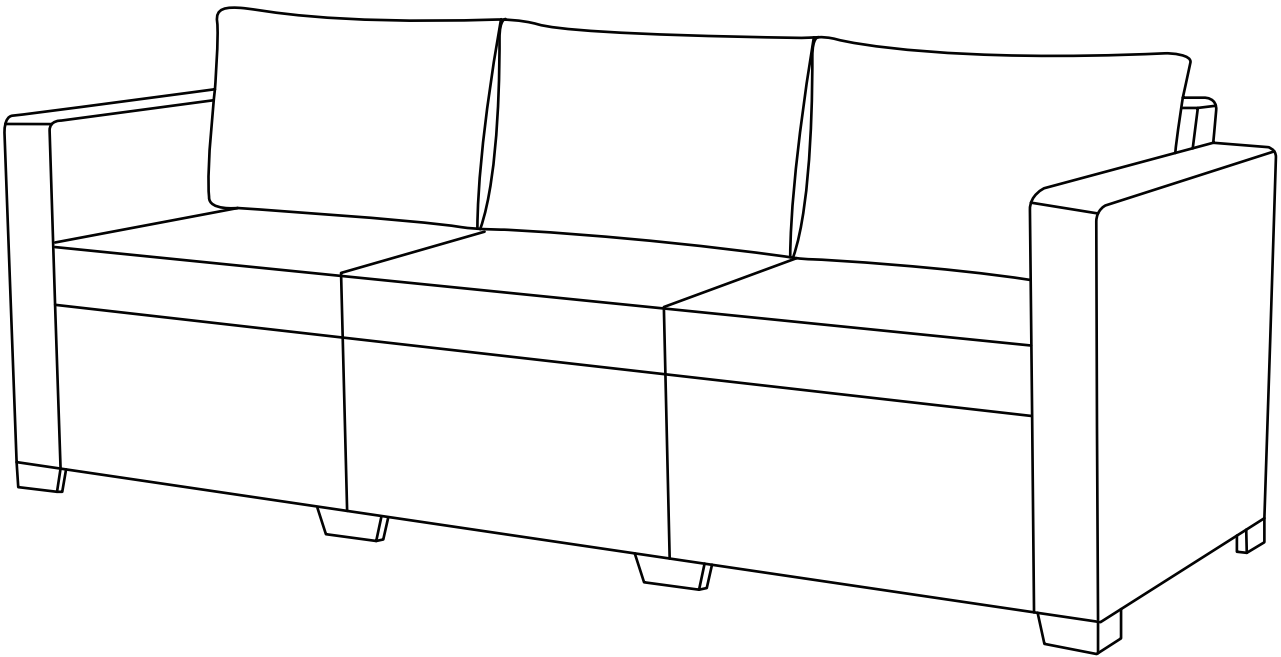


# Manual Instructions

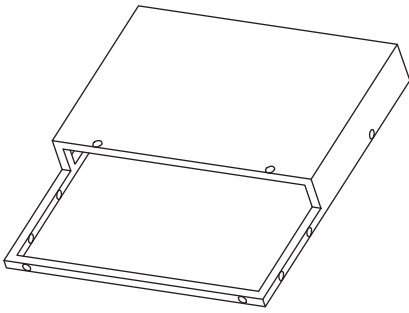


## Note

1. Please check the package list before assembly and read the instructions step by step carefully. Wrong steps might result in incomplete assembly, if seriously, causing personal injury and property damage in the future.
2. Because of the weight of the base and armrests, sometimes it might be easier to assemble when putting one side of the chair on the ground.
3. If it's possible please find another person to help you. Using an electric screwdriver would make the assembly much easier.
4. If you have any problems during the assembly that you can't solve on your own, please contact us immediately through platform, we'll reply to you as soon as possible.
5. **One box contains two seats, while another box contains one seat. If you want to assemble it into a three-seat sofa, you need to open these two boxes for assembly.**

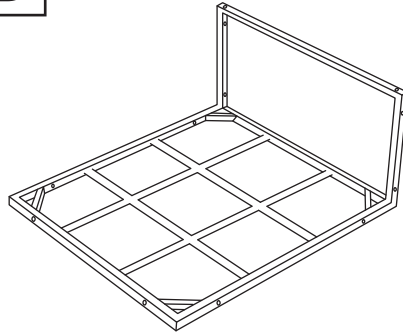
# Parts List

C



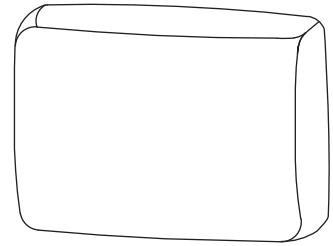
1PC Backrest

D



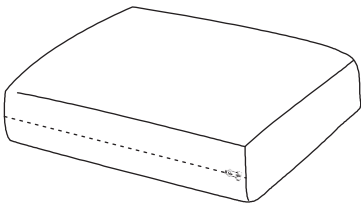
1PC Base

H



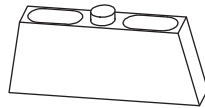
1PC Pillow

I



1PC Seat Cushion

L



2PCS Middle Legs

P



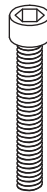
8PCS Washer  
M6\*14MM\*1

M



8PCS Screws  
M6\*40MM

N



4PCS Screws  
M6\*35MM

O



1PC Screw Rod  
M6\*35MM

R

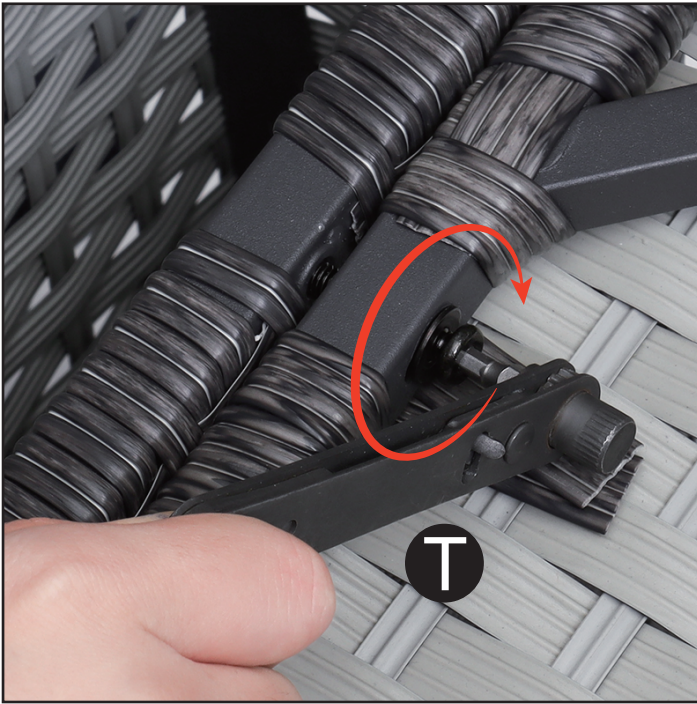


1PC Hex Key

## How to use the ratchet wrench

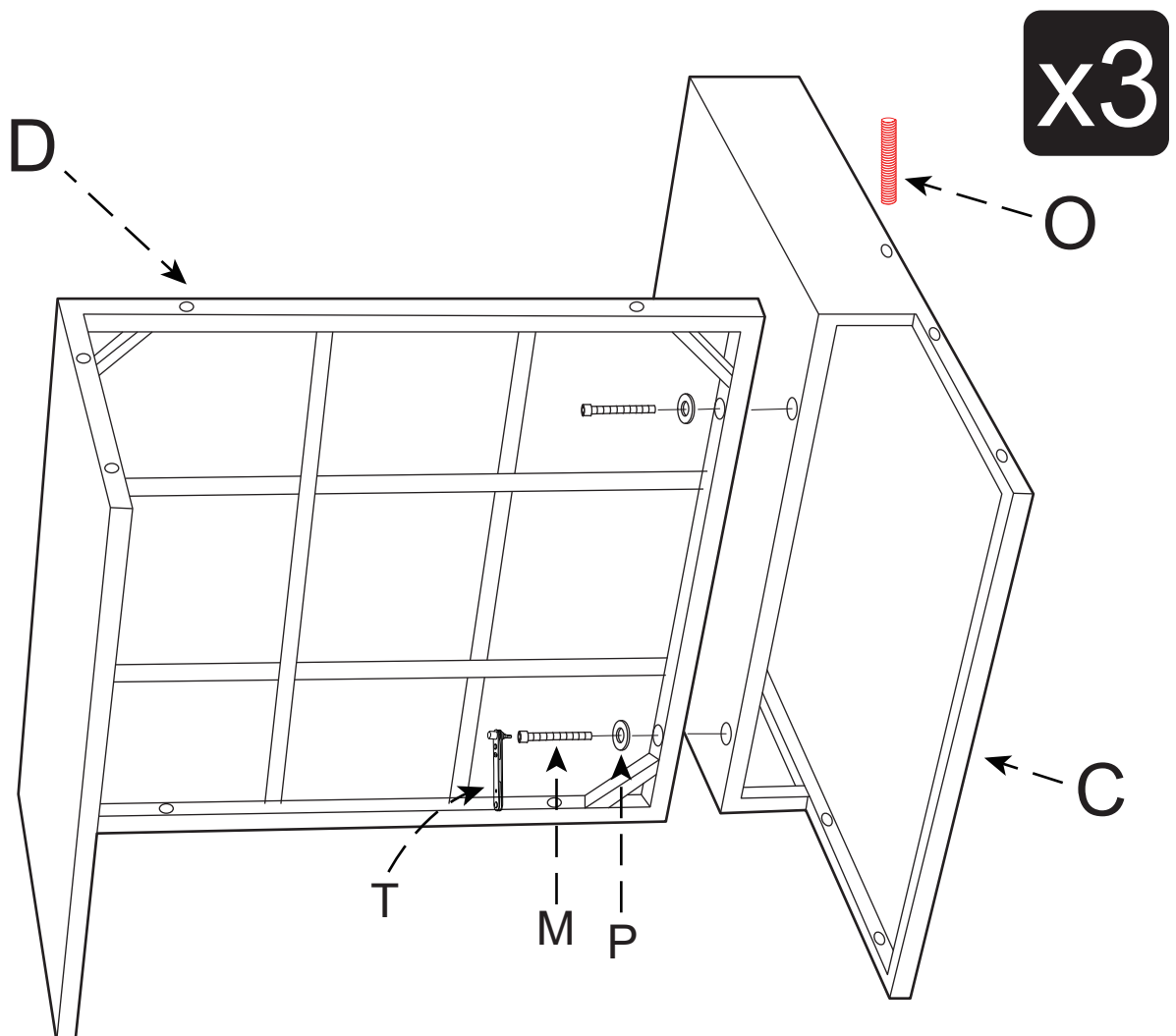


Toggle to the left,tighten the screws; toggle to the right,remove the screws.  
We have equipped this entire set of products with Hex Key (R) and  
Ratchet Wrench (T) .  
It is recommended to initially tighten all screws to 20% using the Hex Key(R),  
and then finally tighten all screws to 100% using the Ratchet Wrench(T).



1. Please refer to the steps shown in the picture to use ratchet handle [T].
2. To facilitate alignment of all pieces, please tighten all the screws to only 20% at first. After all the pieces are aligned, please tighten all the screws to 100%.

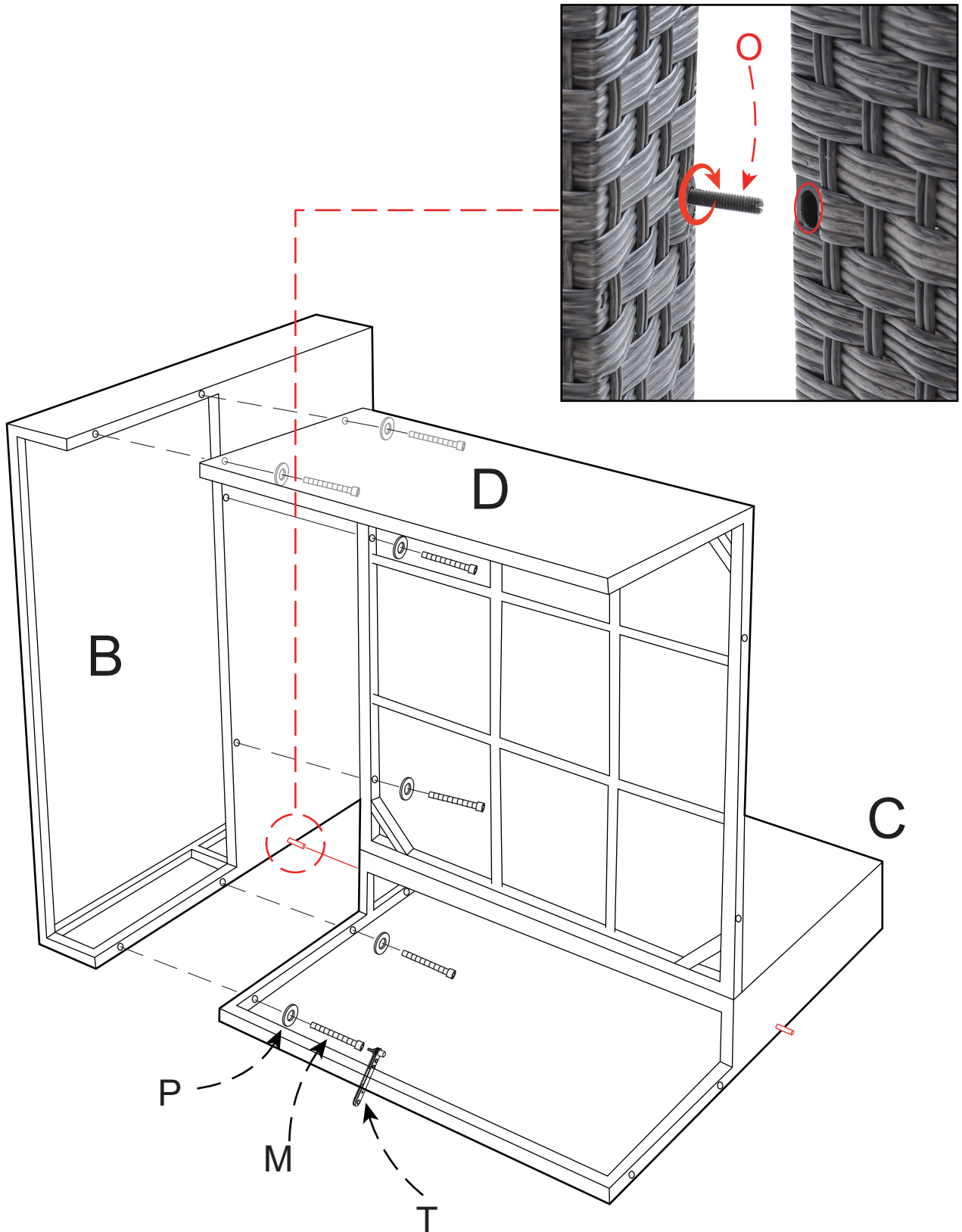
Step 1: Tighten the Screw Rod (O) into the Backrest (C). Connect the Backrest [C] to the Base [D] with Washers [P] and Screws [M] in turn by using tool [T]. Repeat thrice this step in order to assemble the 3-seat patio couch.



Step 2:

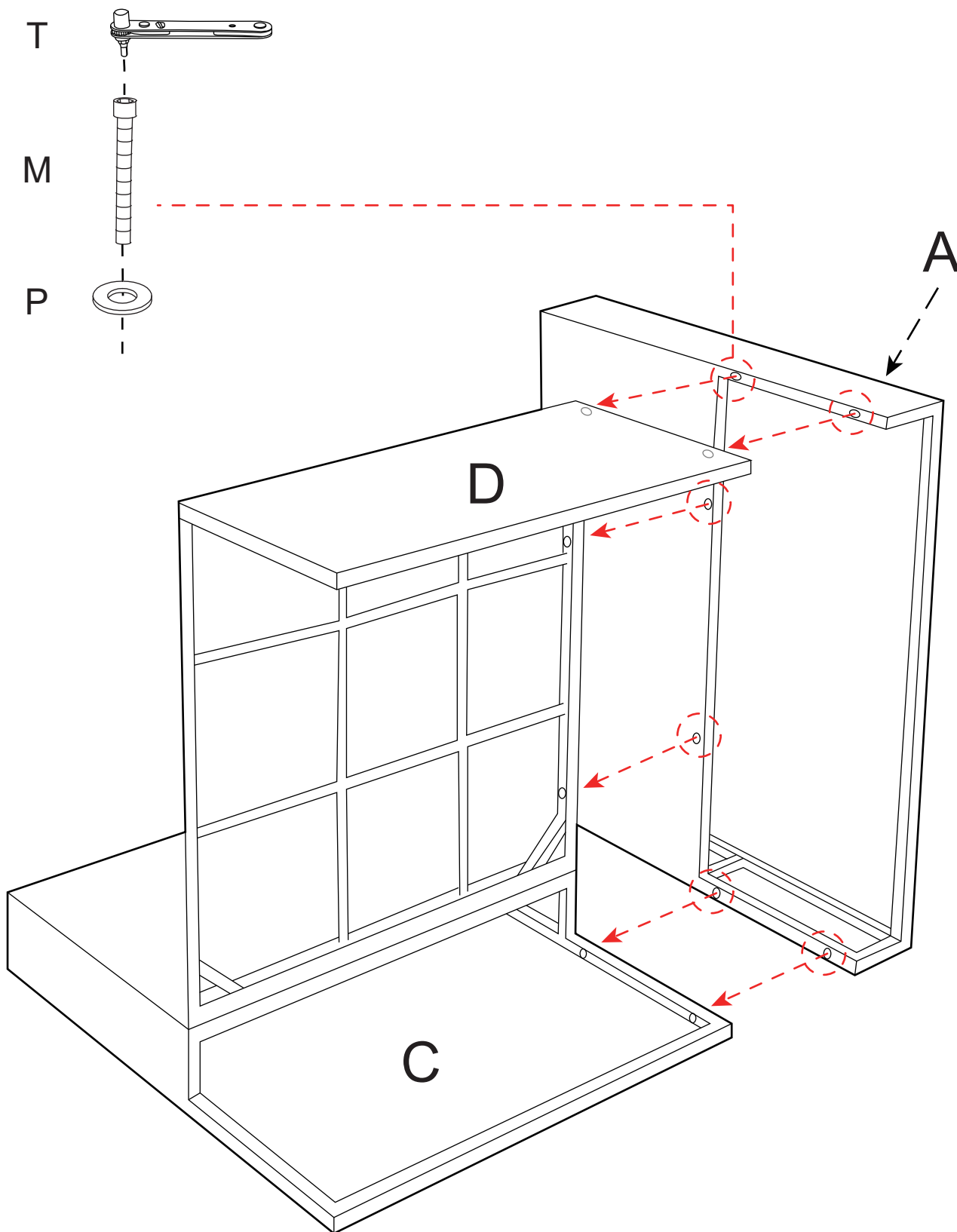
1. Tighten the Screw Rod (O) into the Armrest(B).

2. Connect the Backrest [C] to the Armrest [B] with Washers [p] and Screws [M] in turn by using tool [T] .Then connect the Base [D] to the Armrest [B] with Washers [P] and Screws [M].



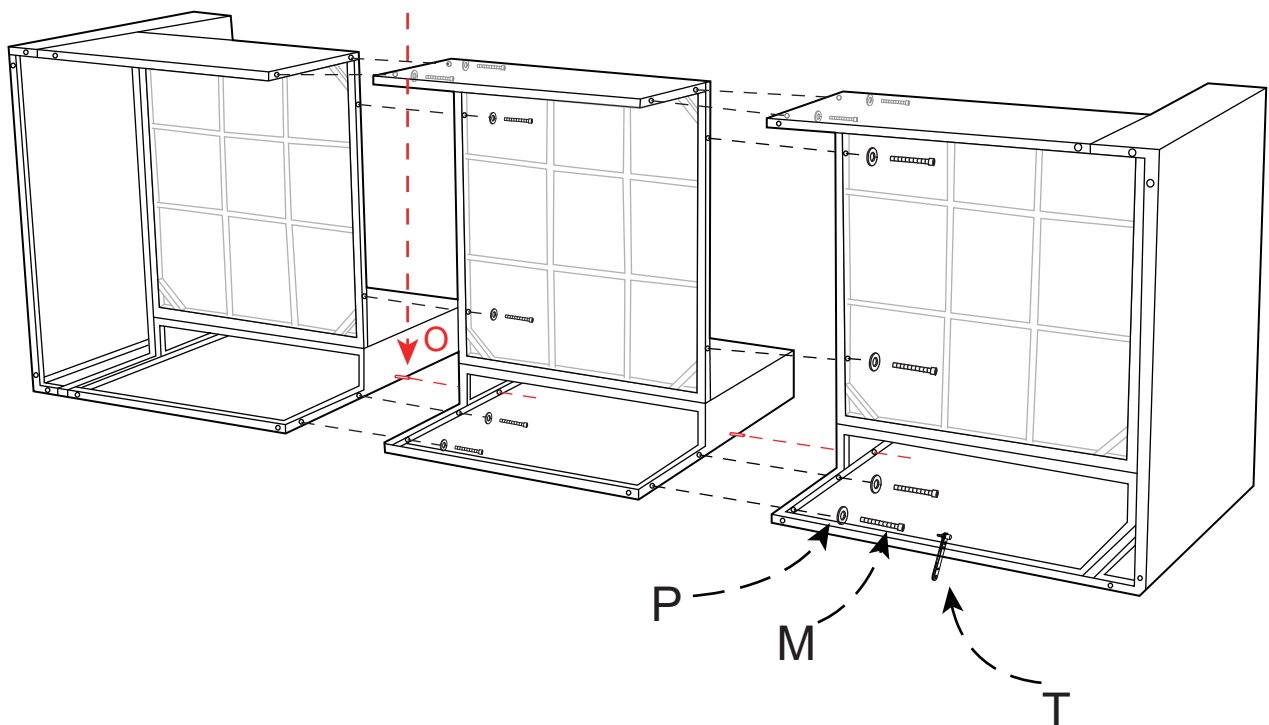
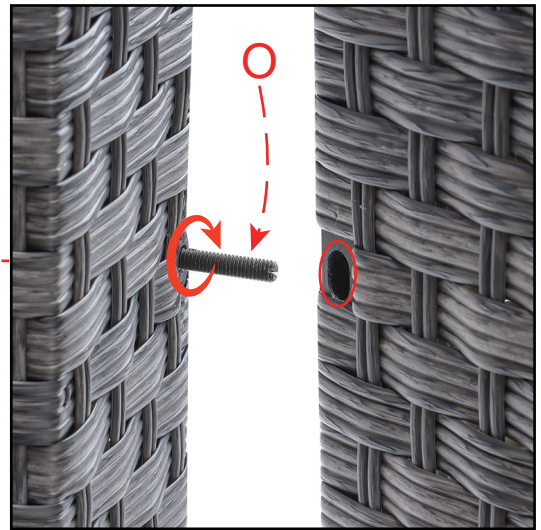
NOTE: Do not tighten all the screws to 100% until all the pieces are aligned

Step 3: Connect the Backrest [C] to the Armrest [A] with Washers [p] and Screws [M] in turn by using tool [T]. Then connect the Base [D] to the Armrest [B] with Washers [P] and Screws [M].



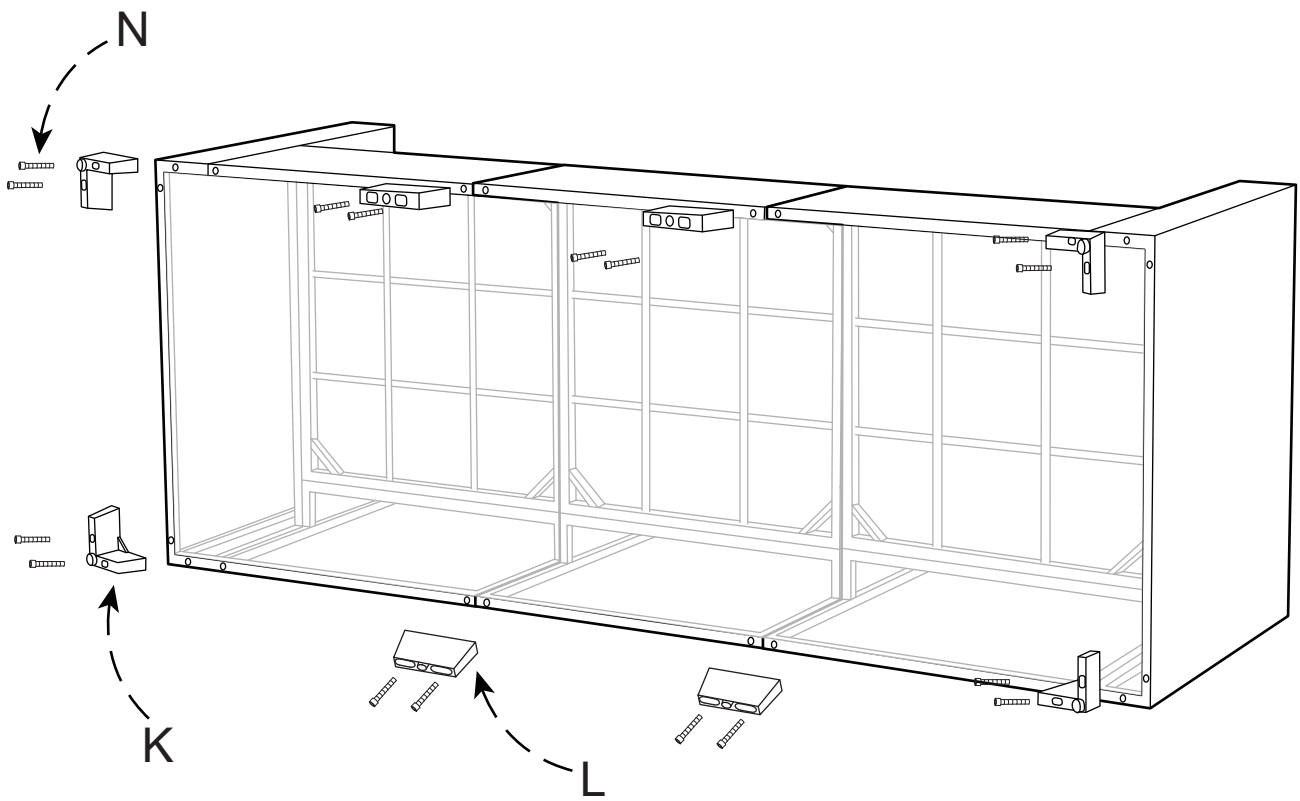
**NOTE:** Do not tighten all the screws to 100% until all the pieces are aligned

Step 4: 1. Connect the backrest of Left part and the backrest of Right part to the backrest of the center part with Screw Rod [O] .  
2. Connect the Left part and the Right part to the center part with Washers [P] and Screws [M] in turn by using tool [T].



**NOTE:** Do not tighten all the screws until all the pieces are aligned.

Step 5: Connect the Legs [K/L] to Armrests [A/B] with Screws [N].



**Finally, tighten all screws.**

Step 6: Put the Cushion [I] and the Pillow [H] to the Base [D] .

