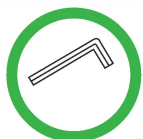


To deodorize the chair, leave it in a shaded and well-ventilated out door area for 1-2 days.



For long-term use, periodically retighten all bolts with the provided Allen Key. Do not use an electric screwdriver, as it may damage the chair. Always tighten the bolts manually.



INSTRUCTION MANUAL



Safety Information



Sit in the center of the chair, with your back against the backrest



Do not sit on the front edge of the chair



Do not stand on the chair



Do not use the chair with more than one person



Do not push the chair when a person is sitting in it



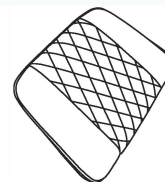
Do not push down on the backrest when a person is reclined



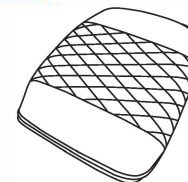
Do not place all your weight on the backrest only

INSTRUCTION MANUAL

Parts List



(A)*1



(B)*1



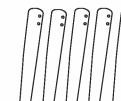
(C)*1



(D)*1



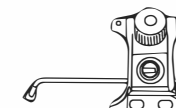
(E)*1



(F)*5



(G)*5



(H)*1



I *10
M6×16mm



J *4
M6×18mm



K*7
M6×25mm



L *1
M6

Assembly Instruction

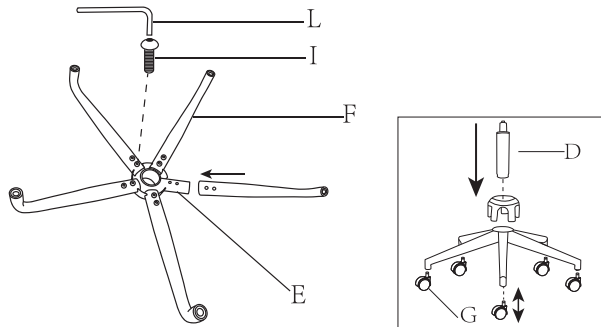
Step 1



I*10



L*1



NOTE: Do not fully tighten bolts until all parts are assembled.

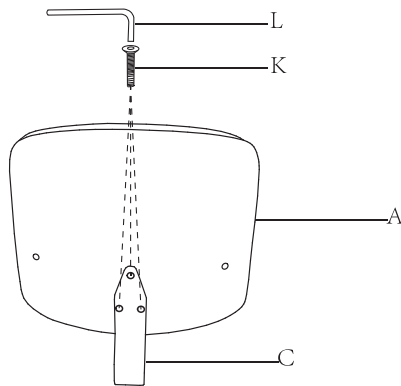
Step 2



K*3



L*1



NOTE: Do not fully tighten bolts until all parts are assembled

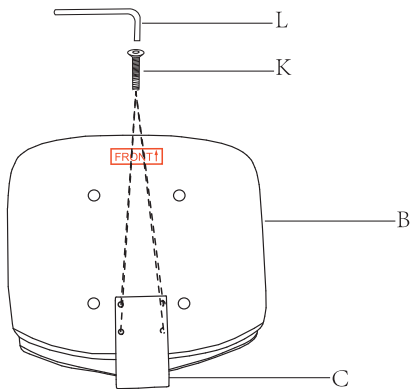
Step 3



K*4



L*1



NOTE: Do not fully tighten bolts until all parts are assembled.

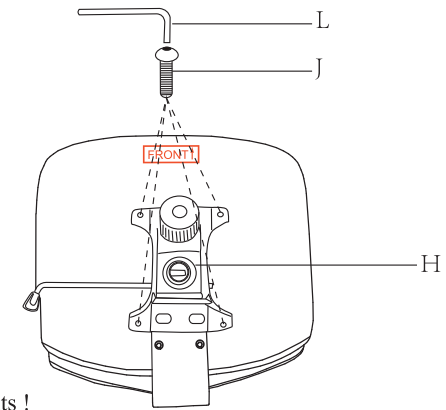
Step 4



J*4

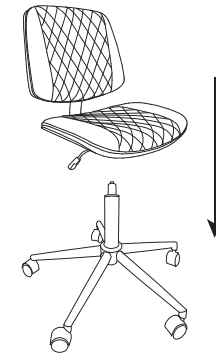


L*1



NOTE: Now, fully tighten all bolts !

Step 5



Step 6

