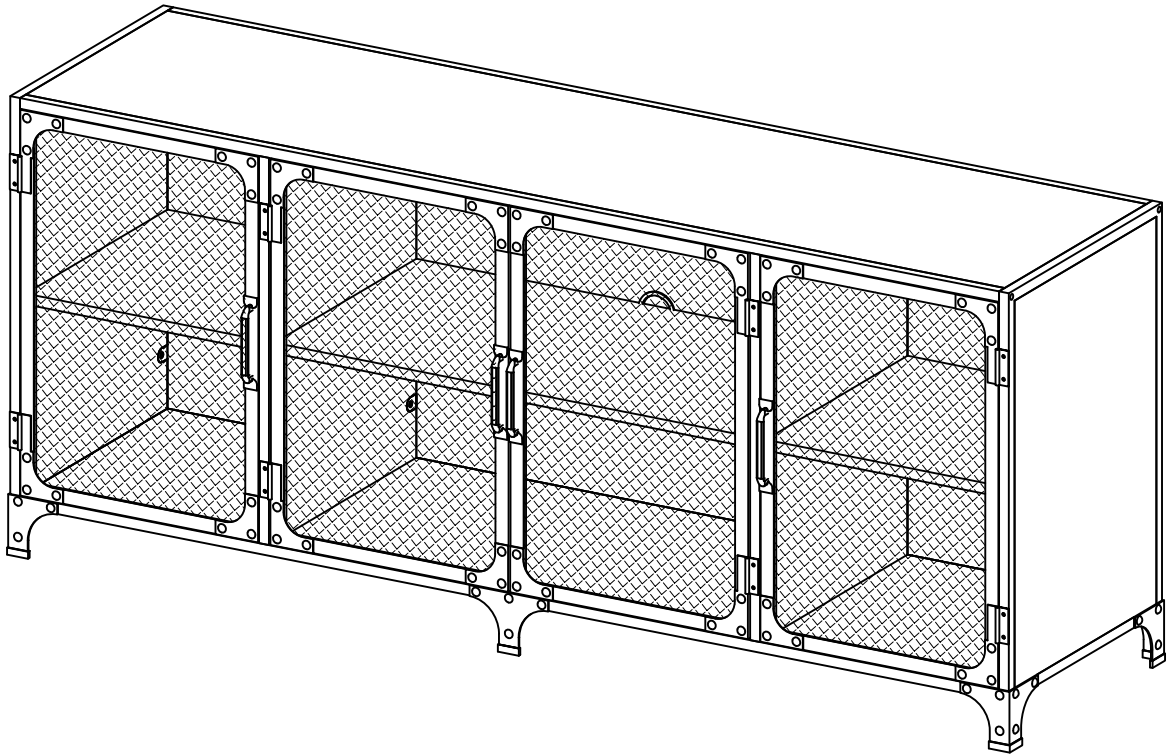
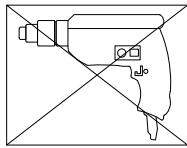


Assembly Instructions

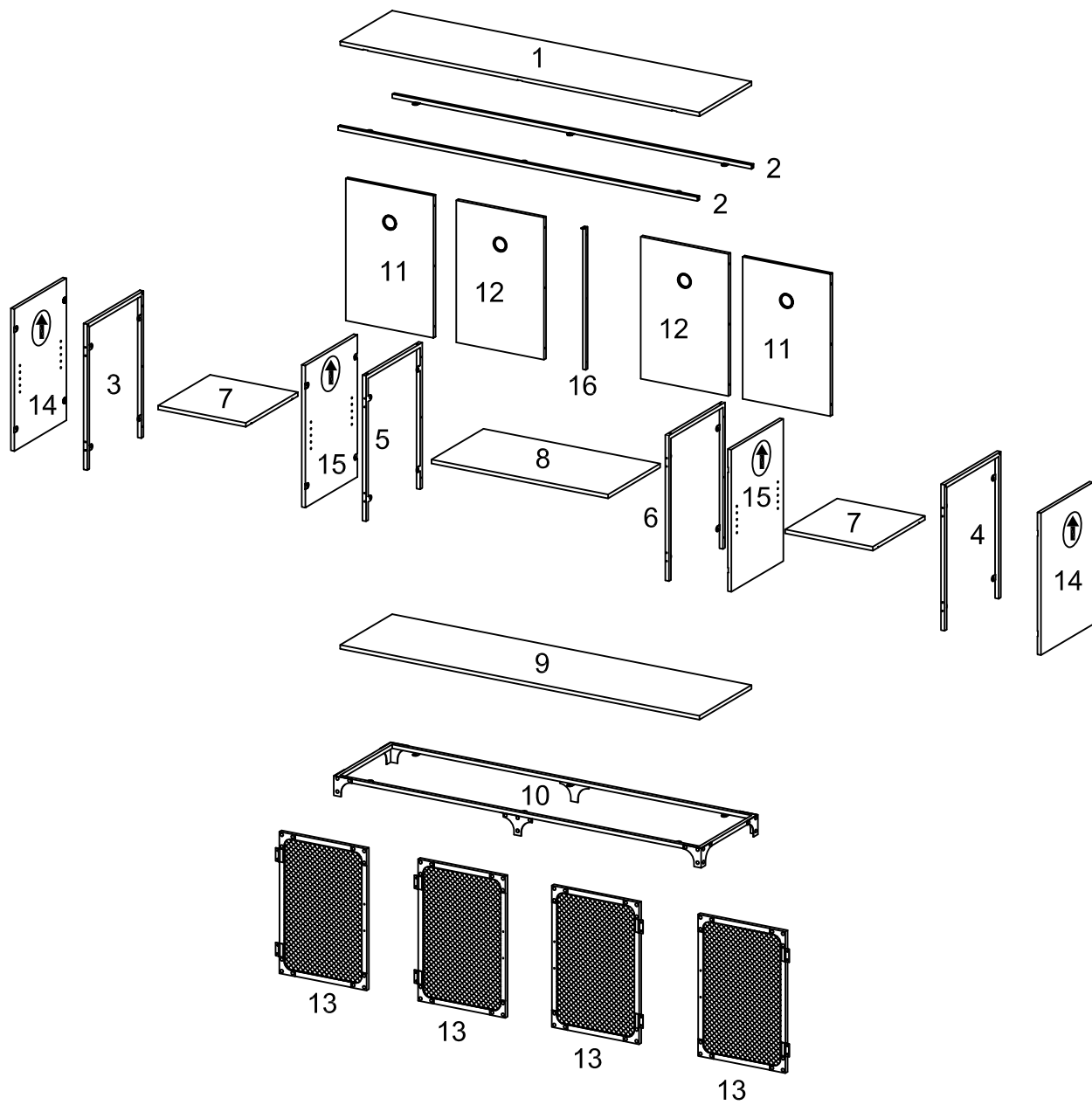


General Assembly Guidelines

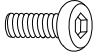
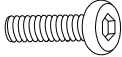
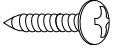

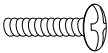
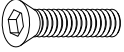


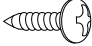
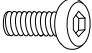

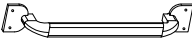
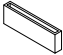
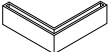
- I. Ensure that all parts and hardware are available before beginning assembly.
- II. Follow each step carefully to ensure the proper assembly of this product.
- III. Two people are recommended for ease in the assembly of this product.
- IV. The main type of hardware used to assemble this product is: bolts.
- V. Power tools should not be used to assemble this product .

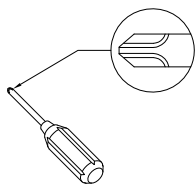


Parts List



Hardware List

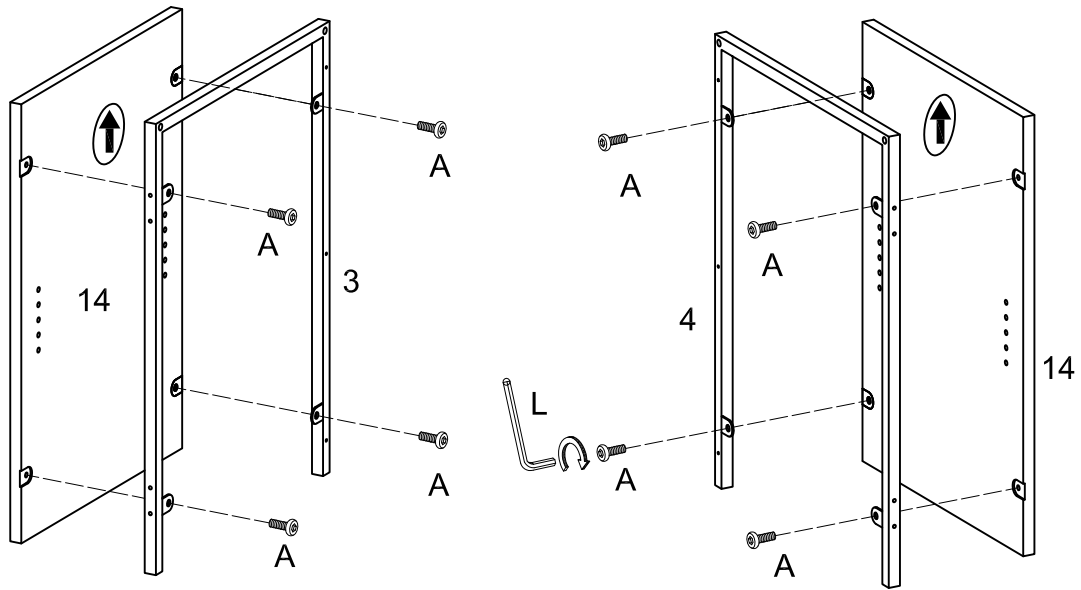
A		Ø1/4"x12mm	Bolt	27 pcs
B		Ø1/4"x25mm	Bolt	13 pcs
C		Ø4x12mm	Screw	16 pcs
D			Shelf support pin	12 pcs
E		Ø5/32x20mm	Bolt	8 pcs
F		Ø1/4"x25mm	Bolt	4 pc
G		Ø3x16mm	Screw	8 pcs
H			Door stopper	4 pcs
J		Ø4x8mm	Screw	24 pcs
K		Ø1/4"x15mm	Bolt	1 pc
L		M4	Hex key	1 pc
M			Handle	4 pcs
N			Plastic Cap	2 pcs
P			Plastic Cap	4 pcs



Philips head screwdriver required for assembly
(not included)

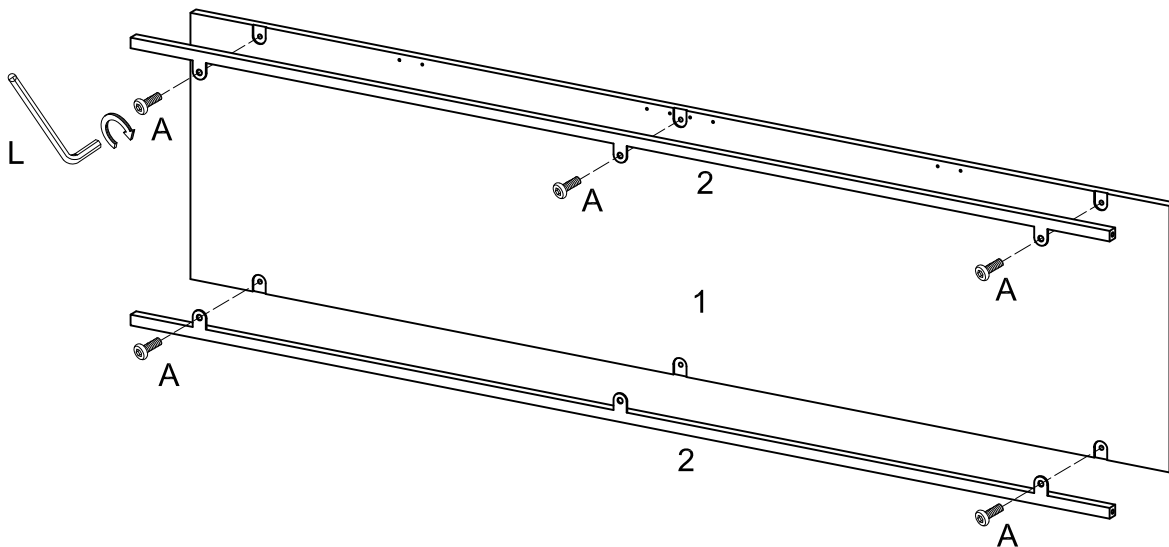
*The hardware quantities listed above are required for proper assembly.
Some extra hardware may also have been included.*

Step 1



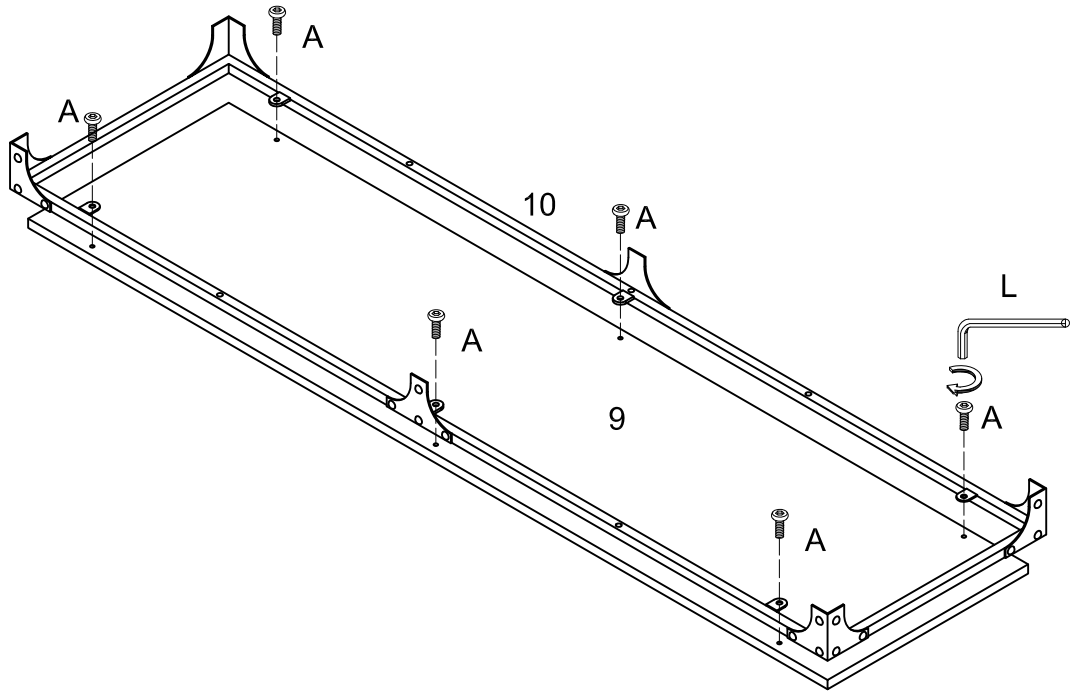
Attach part (3, 4) to part (14) using bolt (A) with hex key (L). After this step the arrow labels can be removed.

Step 2



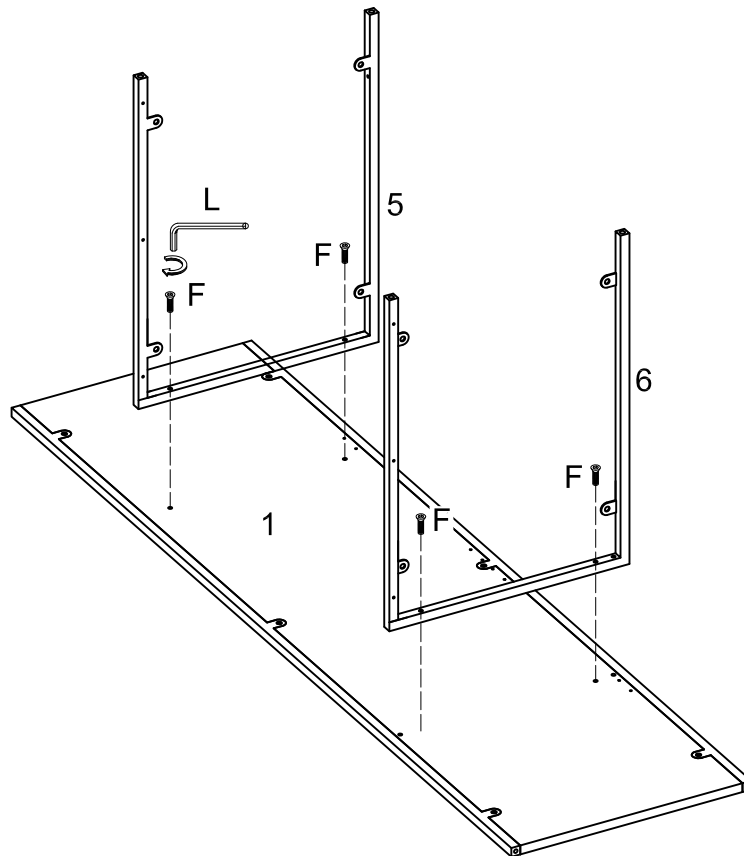
Attach part (2) to part (1) using bolt (A) with hex key (L).

Step 3



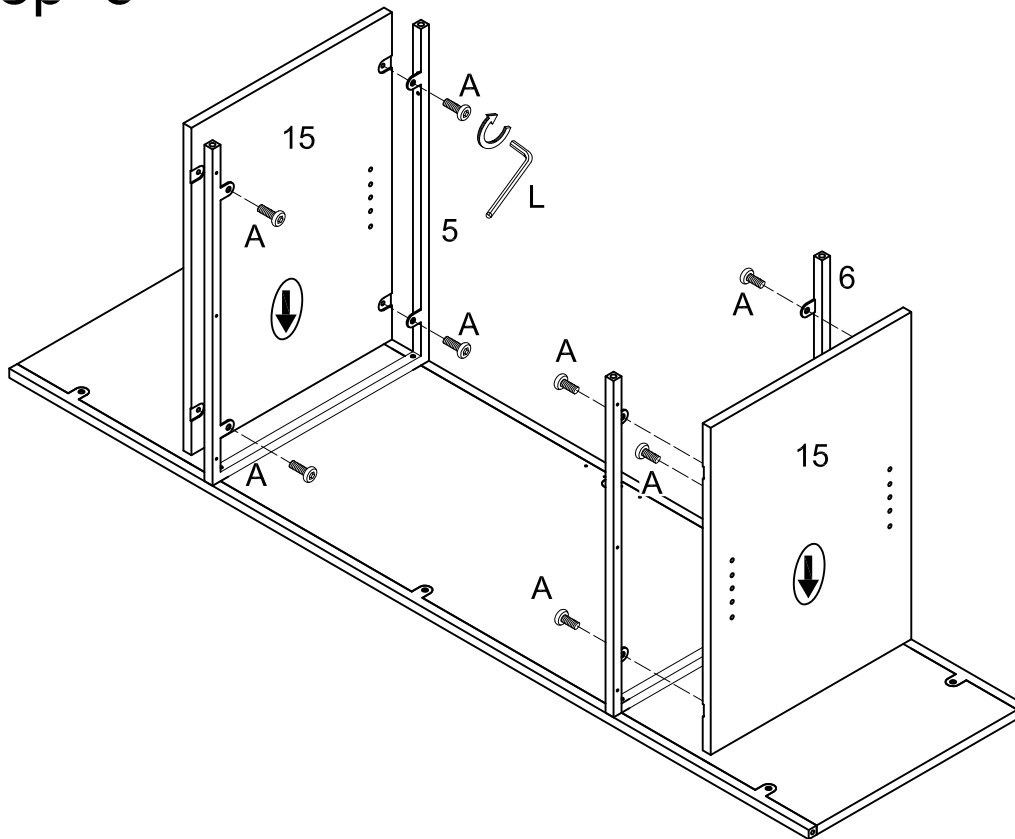
Attach part (10) to part (9) using bolt (A) with hex key (L).

Step 4



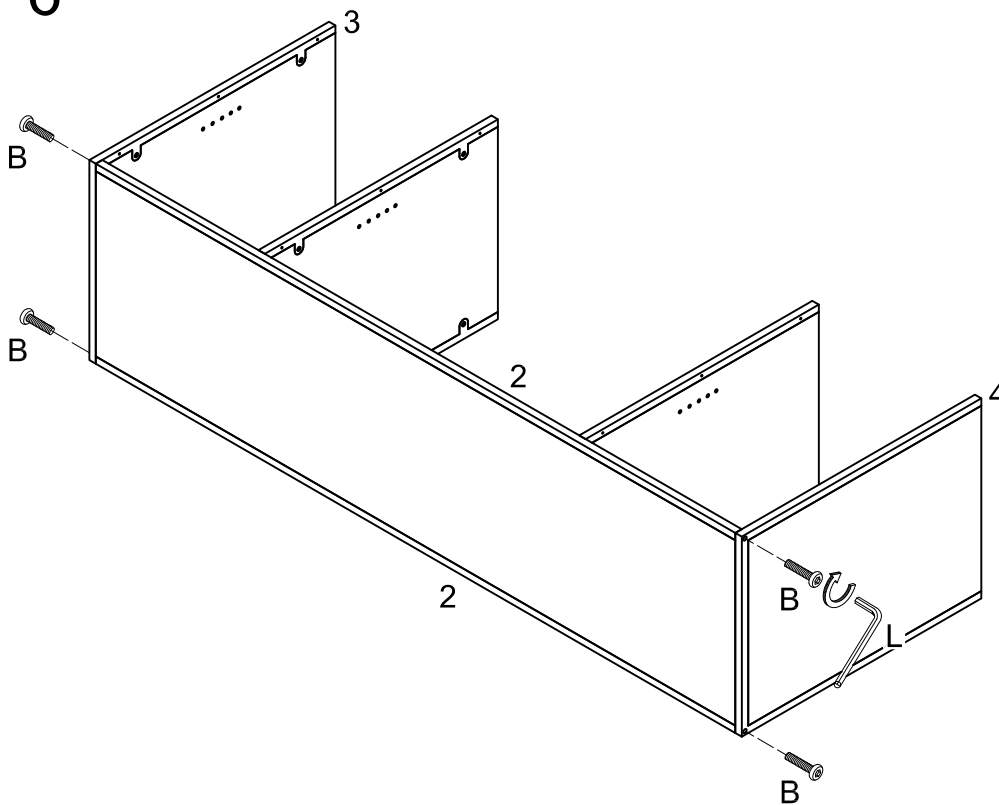
Attach part (5,6) to part (1) using bolt (F) with hex key (L).

Step 5



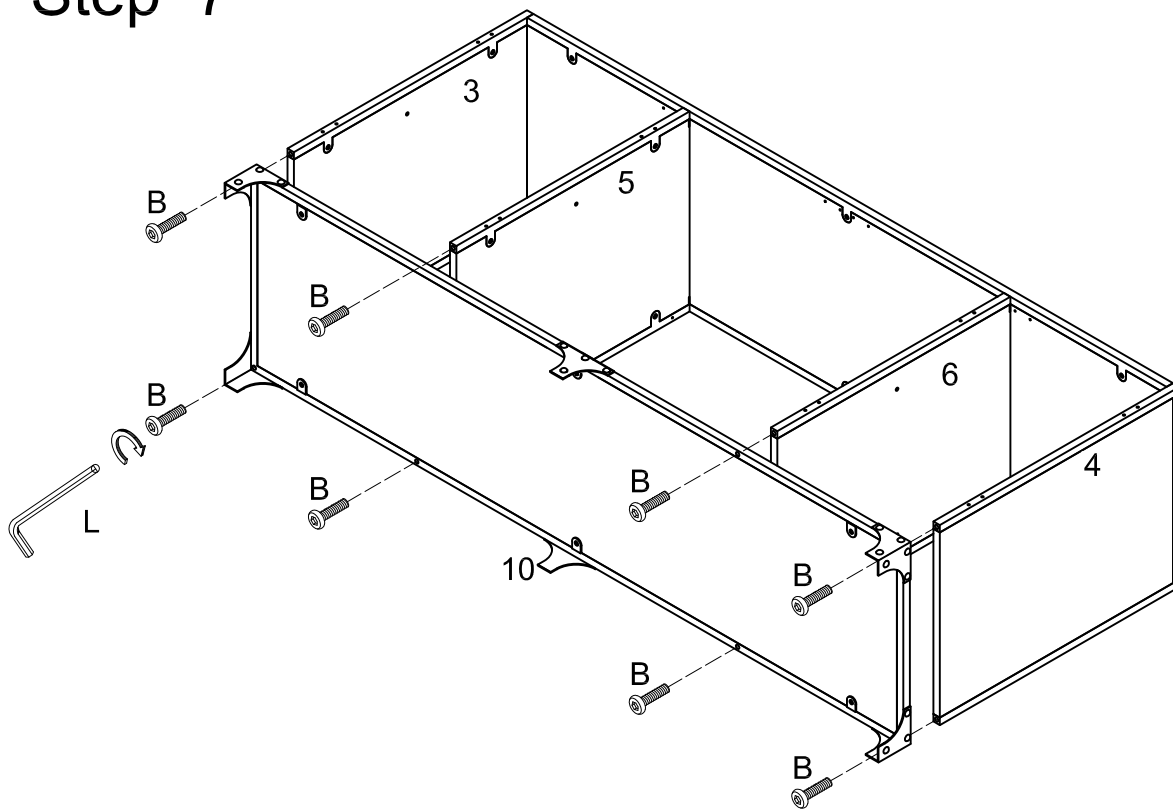
Attach part (5, 6) to part (15) using bolt (A) with hex key (L). After this step the arrow labels can be removed.

Step 6



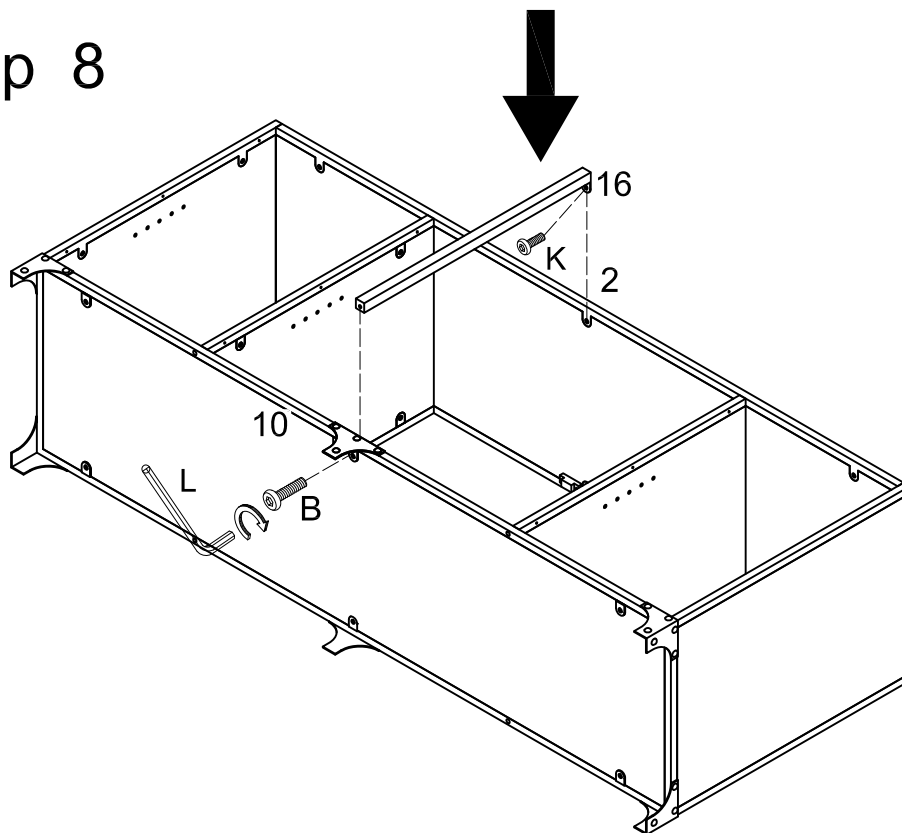
Attach part (3,4) to part (2) using bolt (B) with hex key (L).

Step 7



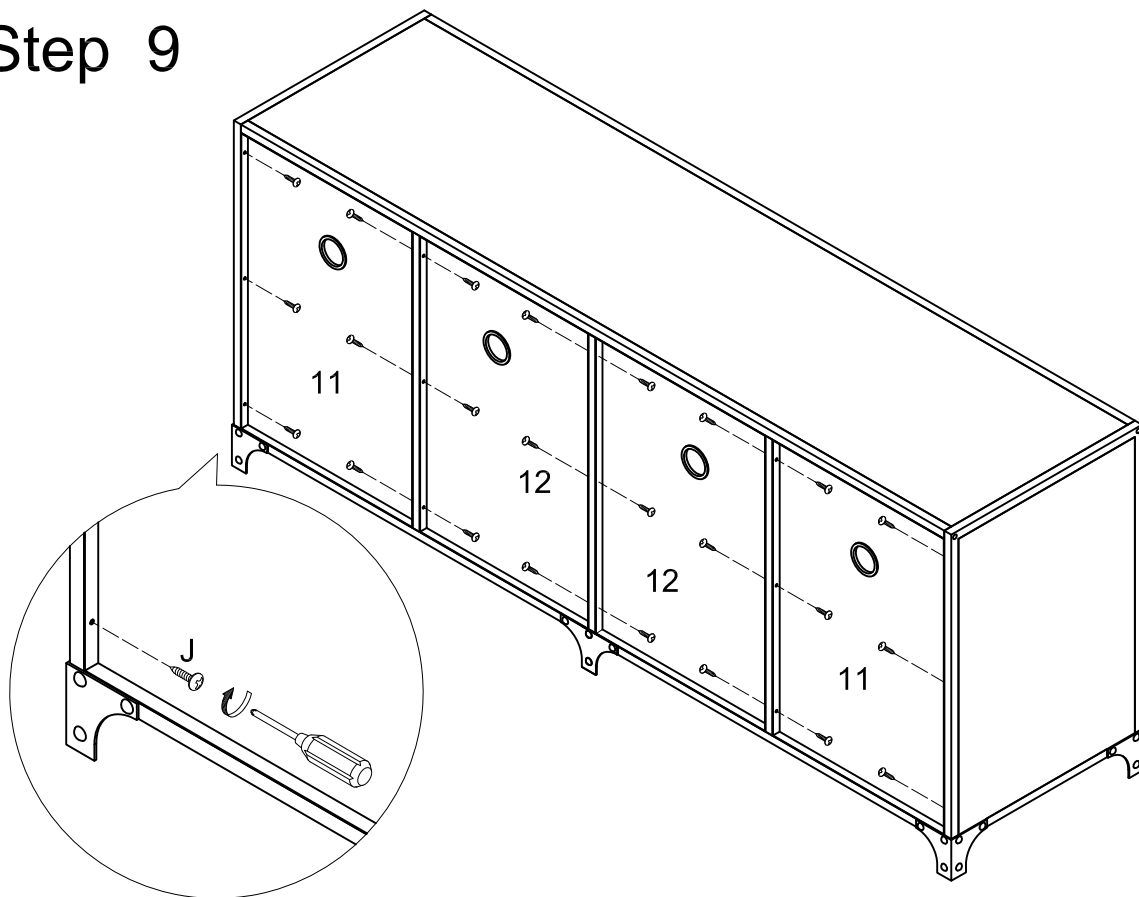
Attach part (10) to part (3,4,5,6) using bolt (B) with hex key (L).

Step 8



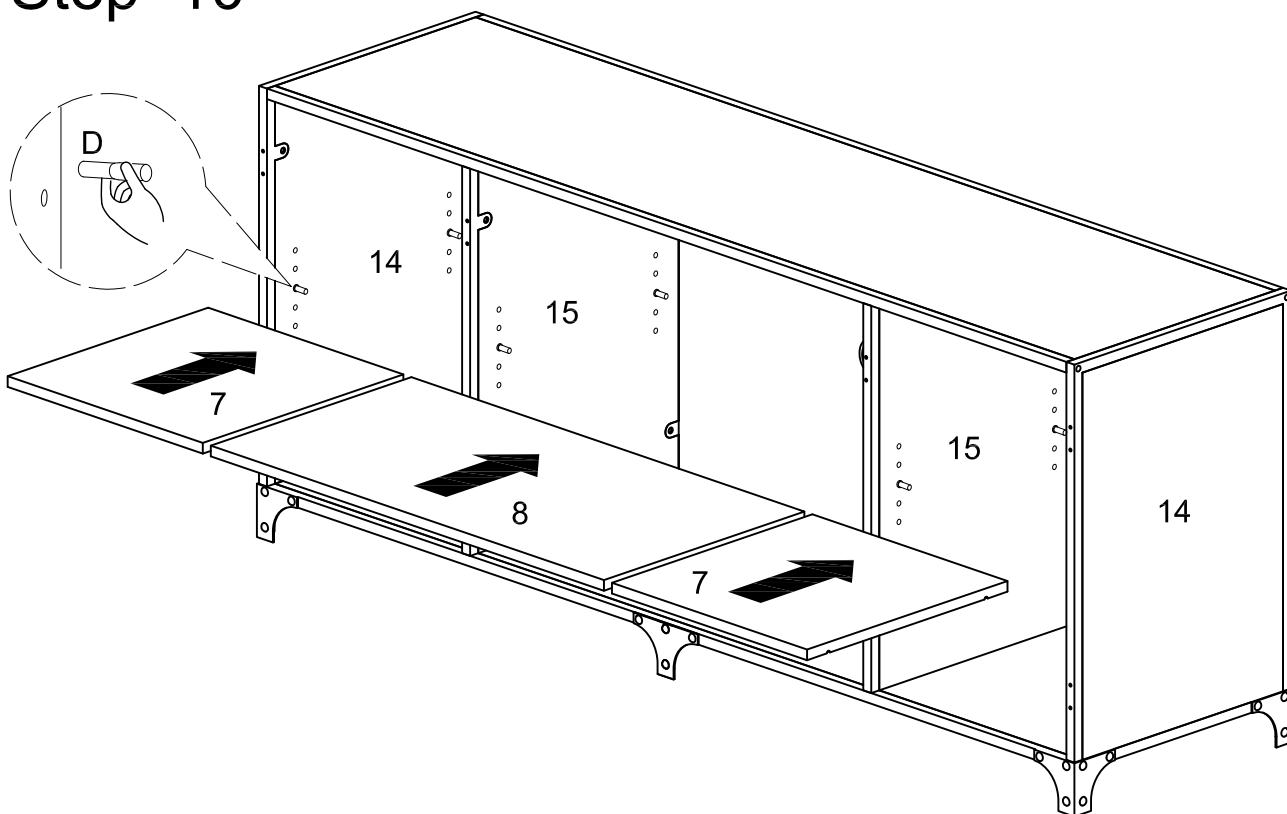
Attach part (16) to part (2) using bolt (K), and to part (10) using bolt (B) with hex key (L).

Step 9



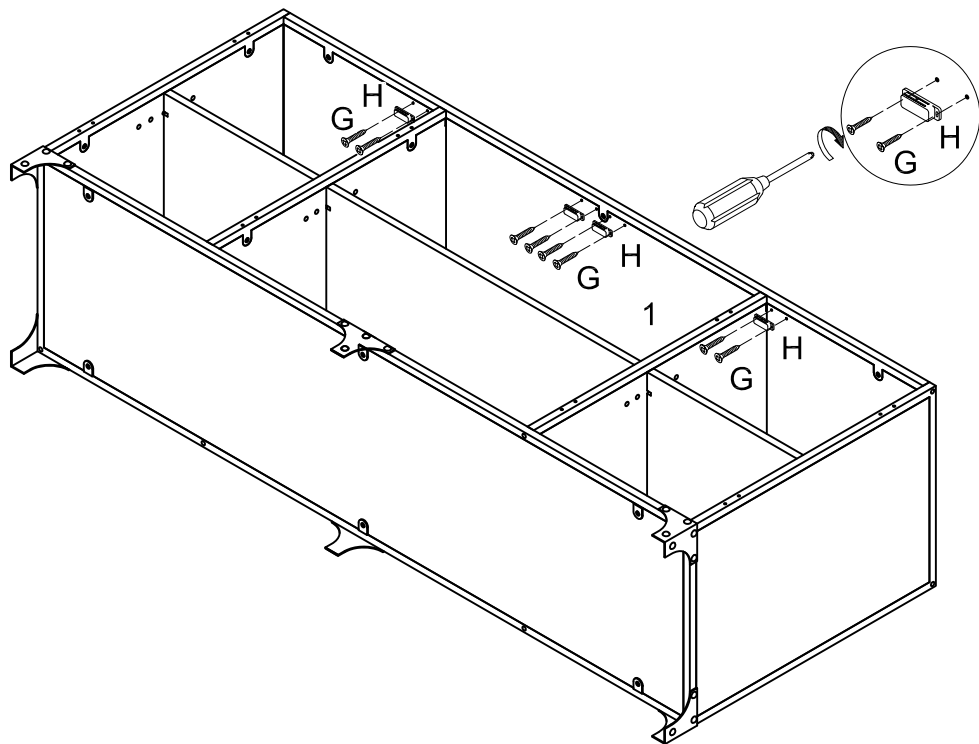
Secure screw (J) to part (11,12).

Step 10



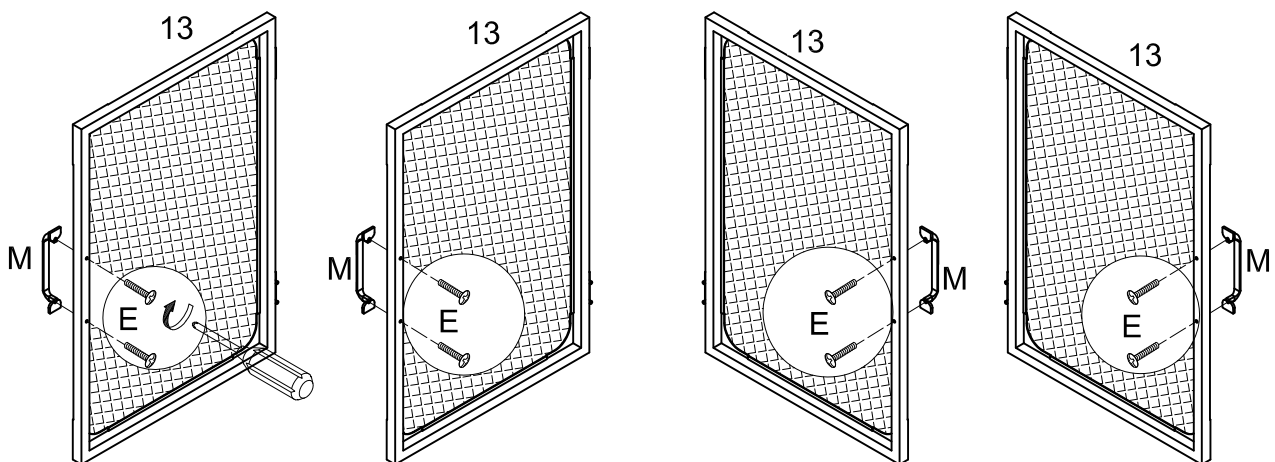
Insert shelf support pin (D) into part (14,15), then place shelf (7,8) on top of support pin (D).

Step 11



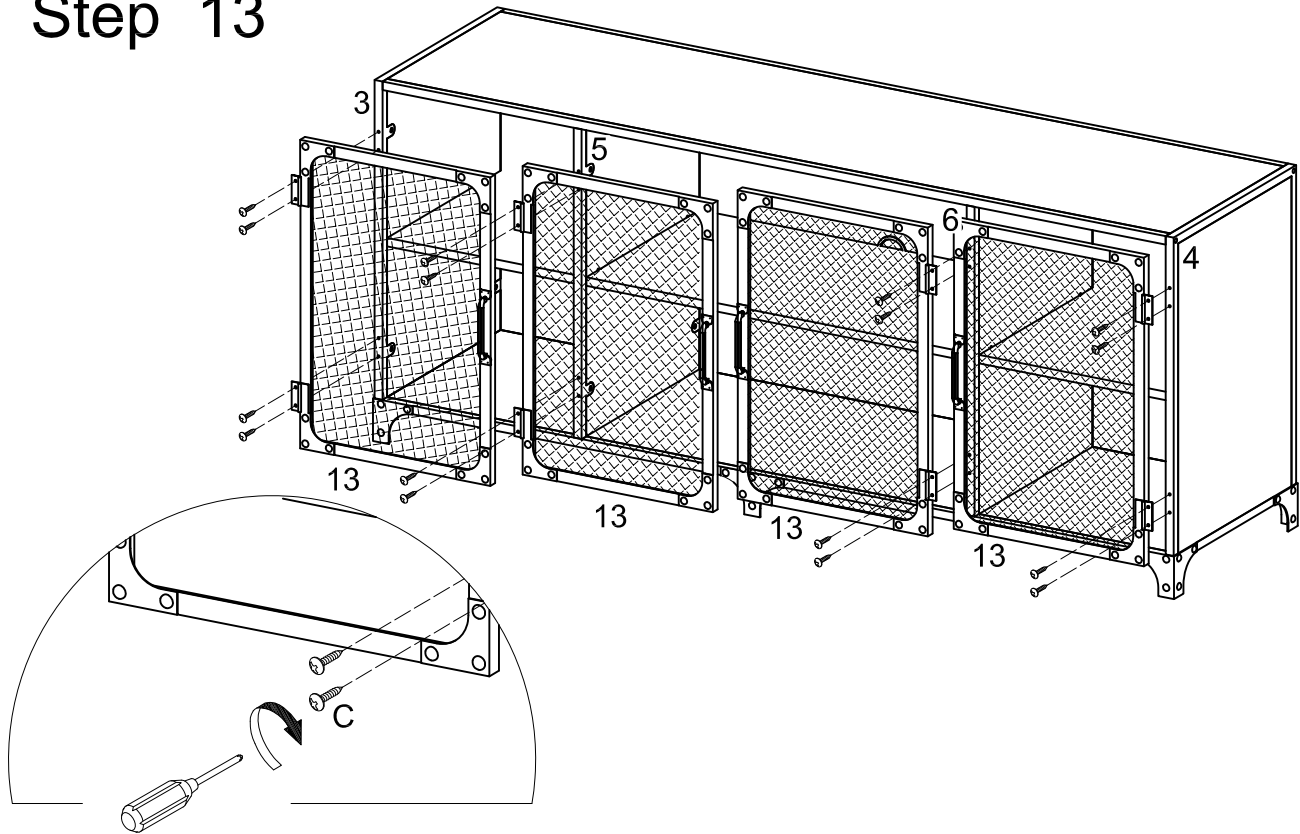
Attach door stopper (H) to part (1) using screw (G) with screwdriver.

Step 12



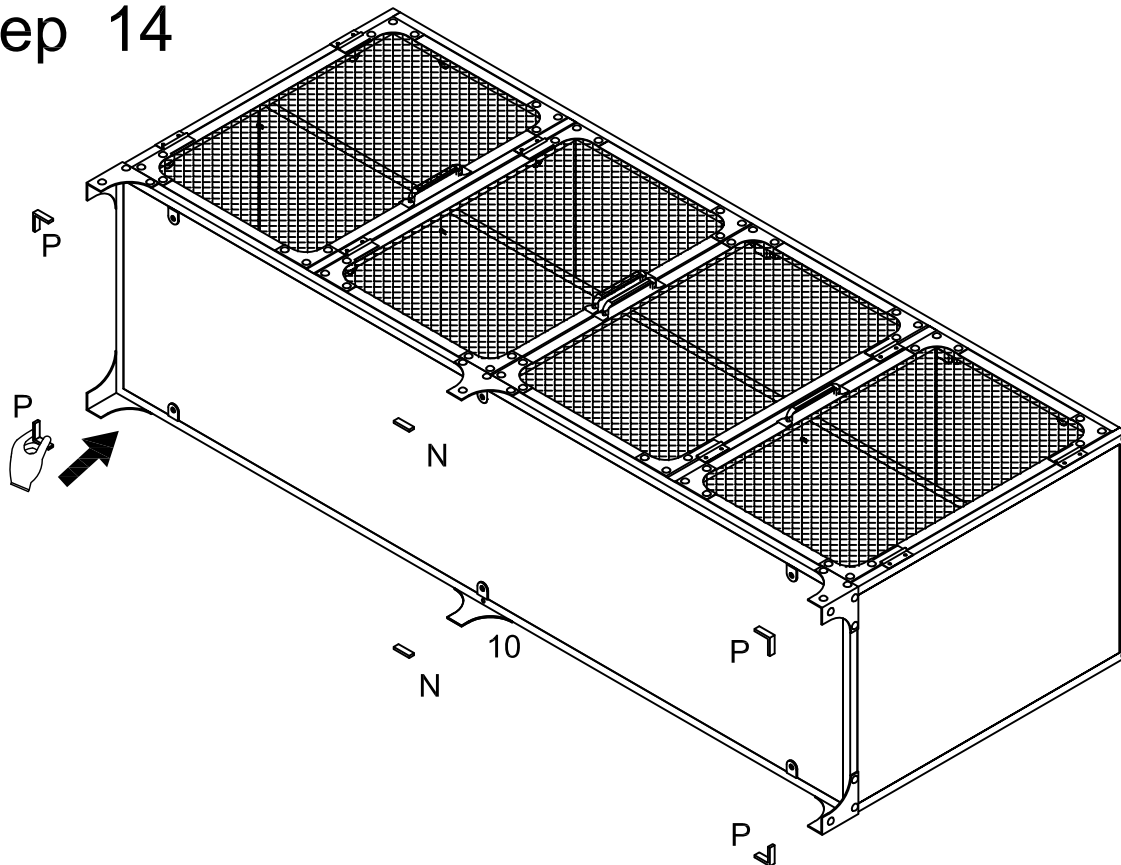
Attach handle (M) to part (13) using bolt (E) with screwdriver.

Step 13



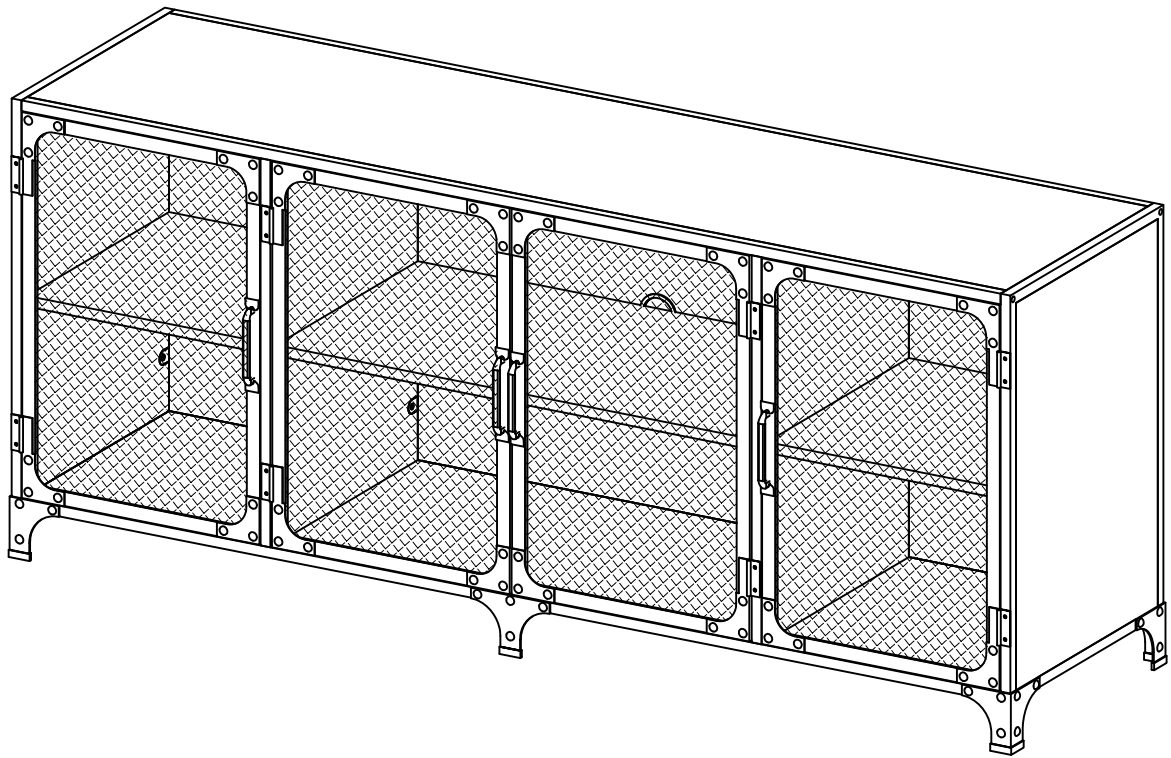
Attach part (13) to part (3,4,5,6) using screw (C) with screwdriver.

Step 14



Insert plastic cap (N,P) into part (10).

Step 15



Final Assembly