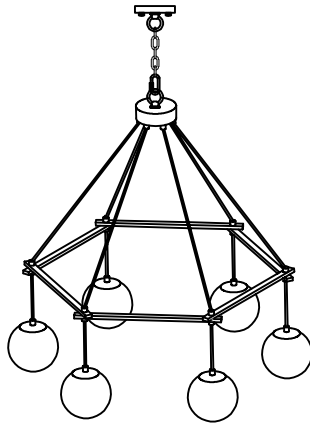


Installation Instructions



6x Max 60W Candelabra Base

Safety Information

READ AND SAVE THESE INSTRUCTIONS

1. For your protection and safety, carefully read and understand the information provided in this manual completely before attempting to assemble, install, or operate this product. Failure to do so could lead to electrical shock, fire, or other injuries that could be hazardous or even fatal.
2. Before touching any wire, use a voltage tester to make sure it not live.
3. When replacing fuses, turn off the main power first. Make sure your hands and feet are dry, and place one hand behind your back to prevent electricity from making a complete circuit through your chest. Touch the plug fuse only by its insulated rim. Remove cartridge fuses with a fuse puller
4. Use tools with insulated handles and ladders made of wood or fiberglass.
5. To protect children, place a safety cover over any unused outlets.



DANGER: Before starting installation of this fixture or removal of a previous fixture, disconnect the power by turning off the circuit breaker, removing the fuse at the fuse box, or tripping the breaker that controls that circuit. Tape a sign to the panel warning others to leave the circuit alone while you work.



CAUTION: CONSULT A QUALIFIED ELECTRICIAN IF YOU HAVE ANY ELECTRICAL QUESTIONS. If you have any non-electrical questions about this fixture please contact our customer service via the distributor where you purchased this product from. We will be more than happy to assist.

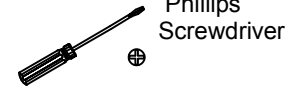
Pre-Installation

PLANNING INSTALLATION

Read all instructions before installing.

To avoid damaging this product, place it on a soft, non-abrasive surface, such as carpet or cardboard.

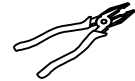
TOOLS REQUIRED (NOT INCLUDED)



Phillips
Screwdriver



Wire
Stripper



Pliers

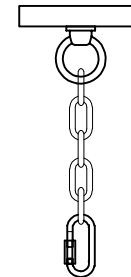


Safety
Goggles

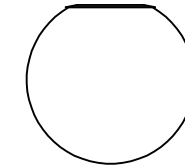


Electrical
Tape

HARDWARE INCLUDED



Canopy and hanging chain 1PCS



Spherical glass 6PCS



3PCS



3PCS



3PCS



2PCS



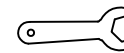
hanging board 1PCS



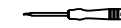
1PCS



2PCS



wrench 1PCS



screw driver 1PCS



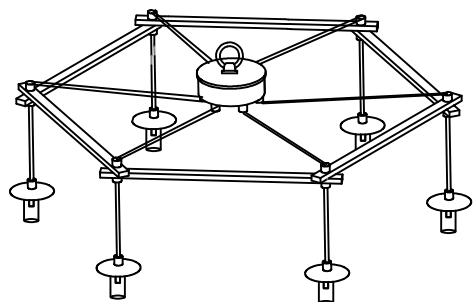
Cap nut 2PCS

Assembly Instructions

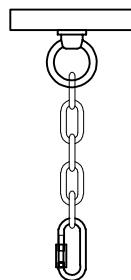
Assembly of this fixture will be accomplished by first determining the length of stem or chain required, attaching the mounting plate to the junction box, making all necessary electrical connections, hanging the fixture from the ceiling and then installing the fixture

Safety Warning

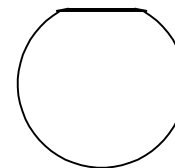
Read wiring and grounding instruction and any additional directions. Turn power supply off during installation. If new wiring is required, consult a qualified electrician or local authorities for code requirements.



lamp body 1PCS



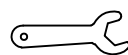
Canopy and hanging chain 1PCS



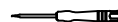
Spherical glass 6PCS



hanging board 1PCS



wrench 1PCS



screw driver 1PCS



Cap nut 2PCS



3PCS



3PCS



3PCS



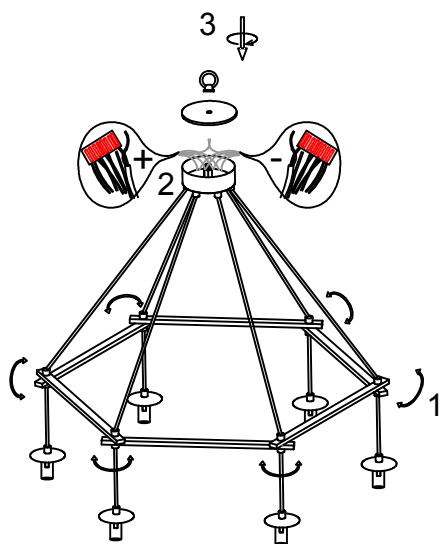
2PCS



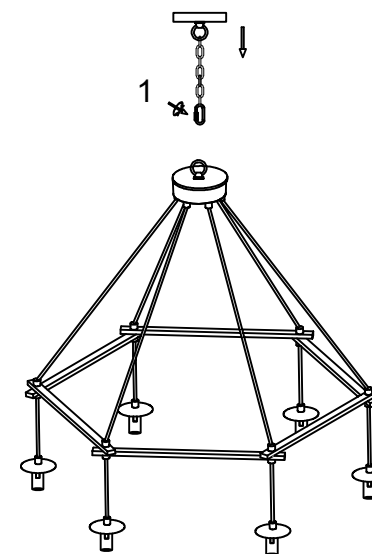
1PCS



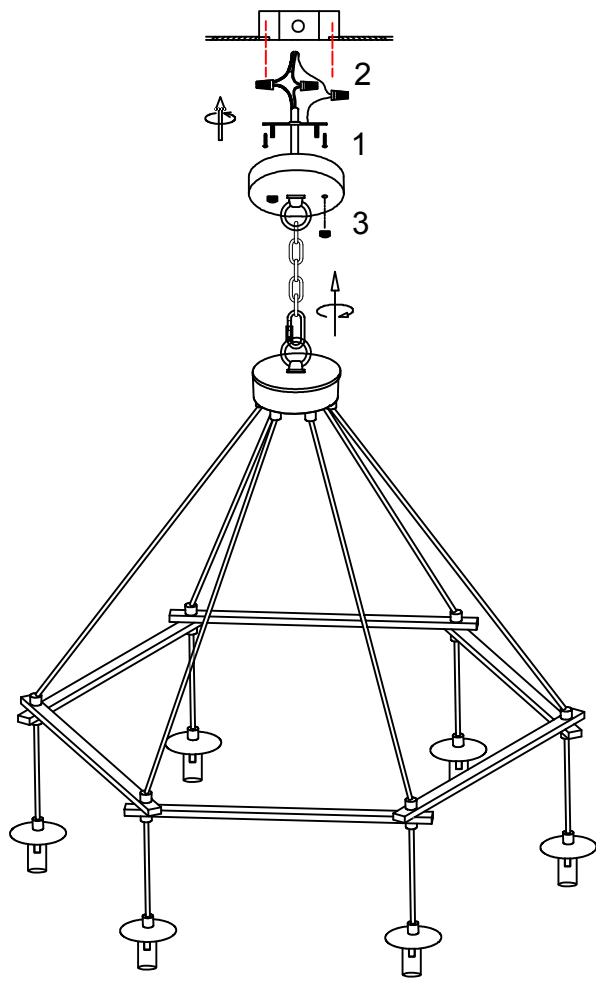
2PCS



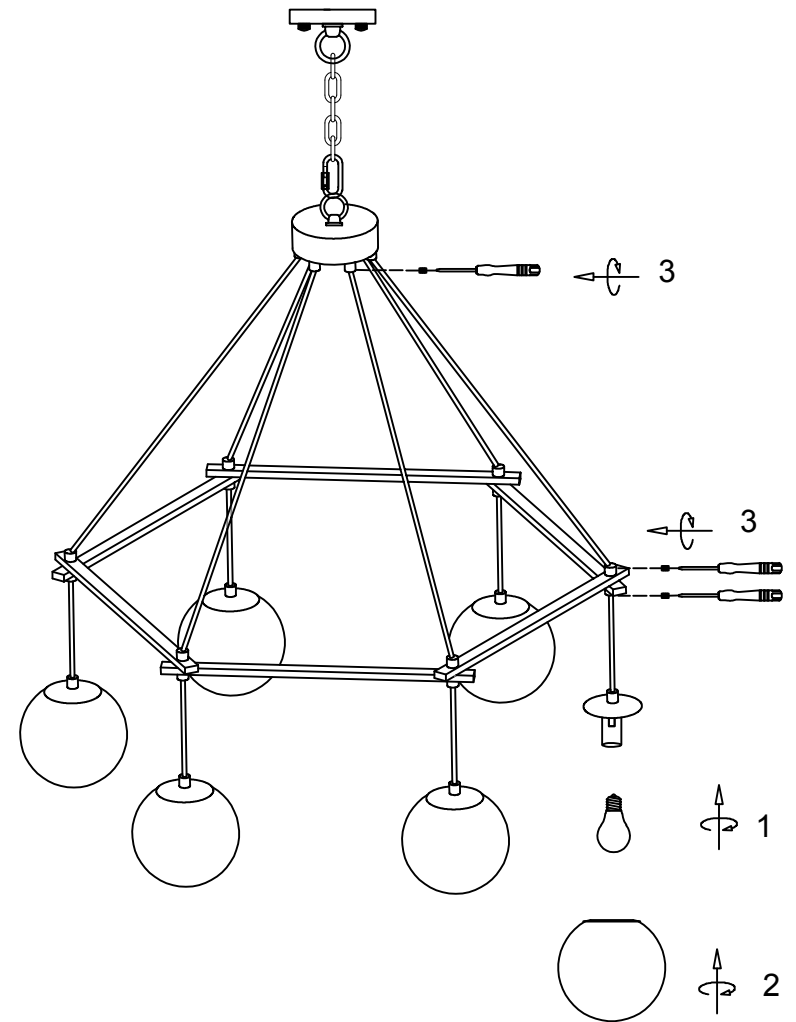
1. Rotate the flat tube to create a suitable shape for the lamp body
2. Connect wires and distinguish positive and negative poles
3. Tighten the lifting ring to secure the circular cover



1. Loosen the nut on the suspension chain and thread it through the hanging ring on the lamp body before tightening it



1. Install the hanging board on the ceiling junction box
2. Connect the wires to the home circuit and distinguish between positive and negative
3. Install the light fixture onto the hanging board and tighten it with a nut

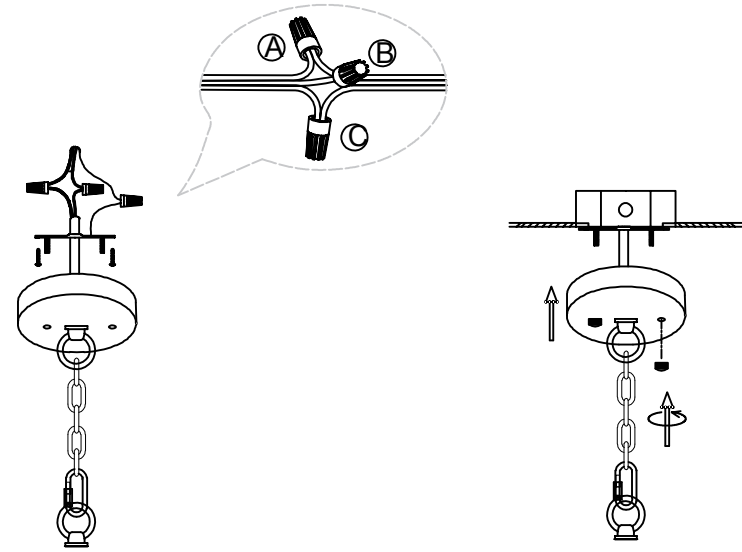
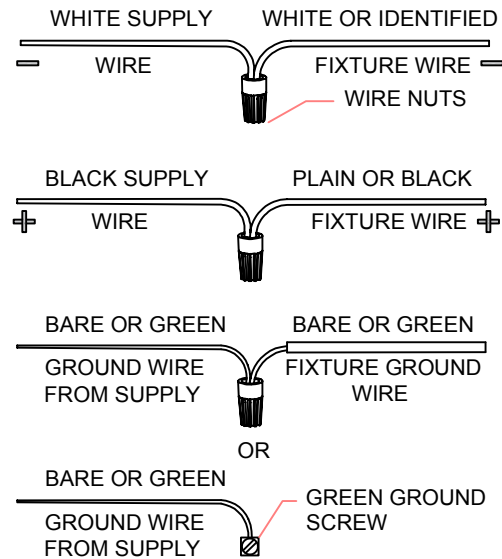
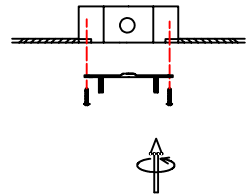


1. Twist the light source onto the lamp head
2. Twist the spherical glass onto the lamp head flying saucer
3. Adjust the length of the wire and tighten the screw with a screwdriver to secure it in place

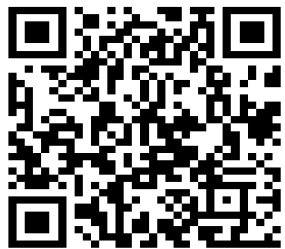
Please read carefully before installation!!!

Note : Please make sure that the electricity is powered off during installation !

Only a professional electrician should install this kind of product !



Thank you for choosing our product! If you have any questions about the installation of the lighting fixtures , please use the corresponding application on your smartphone to scan the QR code on the right and watch the installation video.



MH-CH20316

E12 SocketMax .
60W Bulbs (not included)

Warranty

ONE (1) YEAR WARRANTY

WHAT IS COVERED

The manufacturer warrants this fixture to be free from defects in materials and workmanship for a period of one (1) year from date of purchase. The warranty applies only to the original consumer purchaser and only to products used in normal use and service. If this product is found to be defective, the manufacturer's only obligation, and your exclusive remedy, is the repair or replacement of the product at the manufacturer's discretion, provided that the product has not been damaged through misuse, abuse, accident, modifications, alteration, way not in accordance with the instructions supplied with the product. This warranty shall not apply to a failure of the product as a result of an accident, misuse, abuse, negligence, alteration, faulty installation, or any other failure not relating to faulty material or workmanship. This warranty shall not apply to the finish on any portion of the product, such as surface and/or weathering, as this is considered normal wear and tear.

WHAT IS NOT COVERED

The manufacturer does not warrant and specifically disclaims any warranty, whether expressed or implied, of fitness for a particular purpose, other than the warranty contained herein. The manufacturer specifically disclaims any liability and shall not be liable for any consequential or incidental loss or damage, including but not limited to any labor/expense costs involved in the replacement or repair of said product.

Connect side hanging rods to the wheel and wiring chamber.