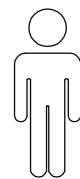
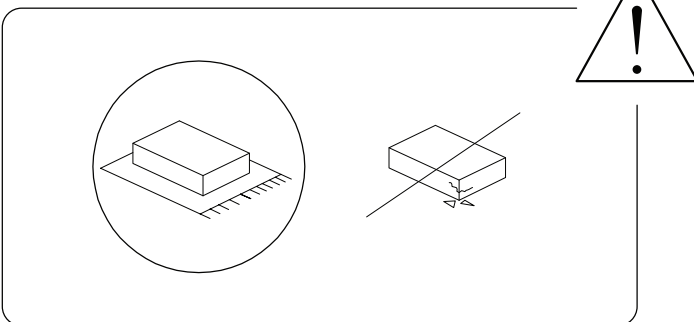
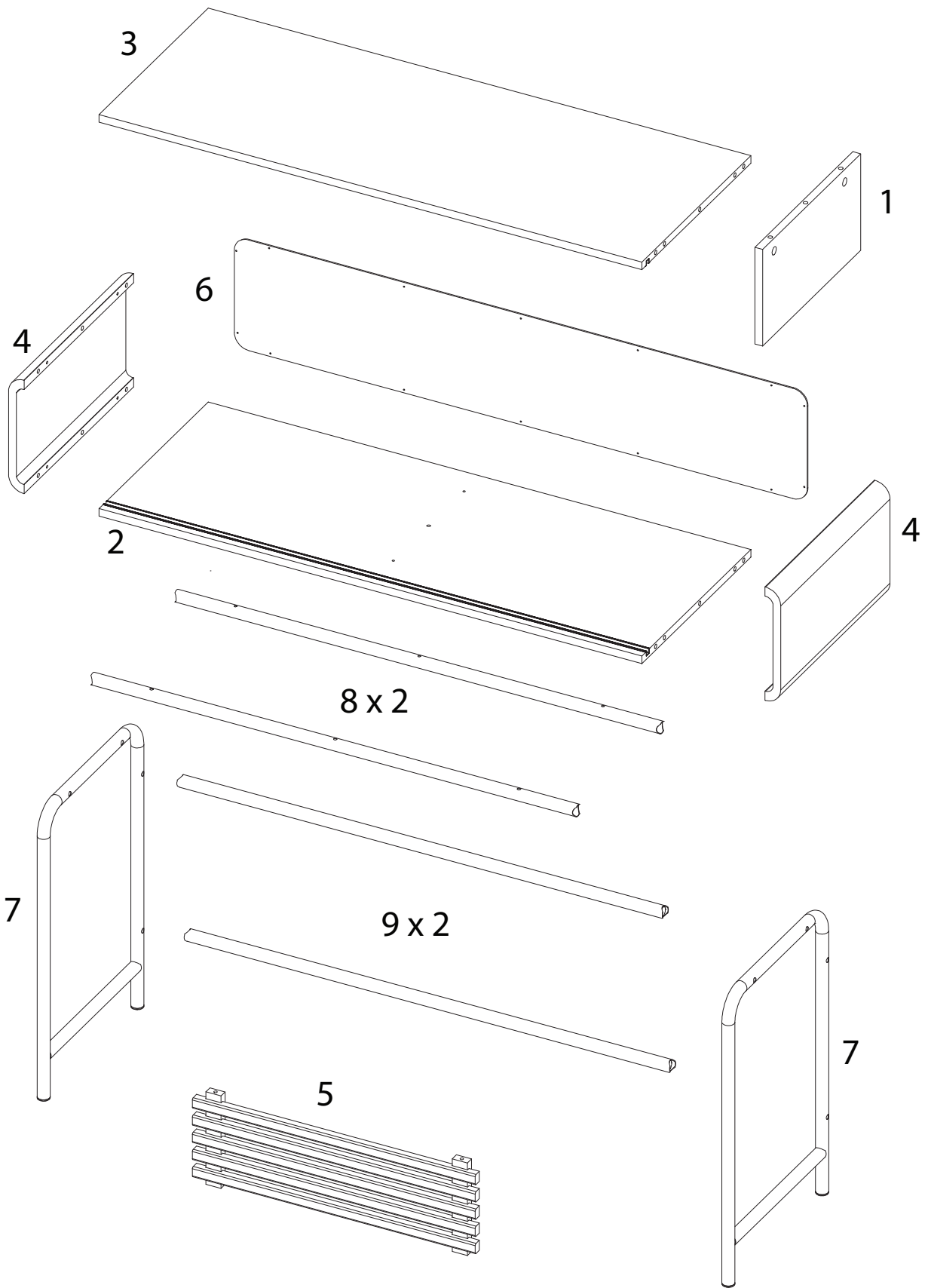


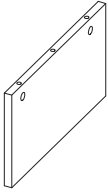
45'



2

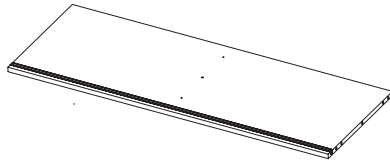


1



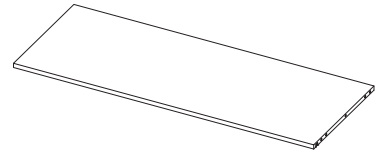
x 1

2



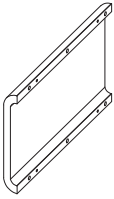
x 1

3



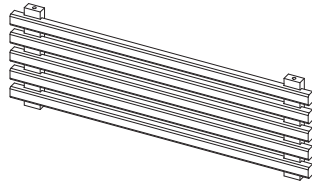
x 1

4



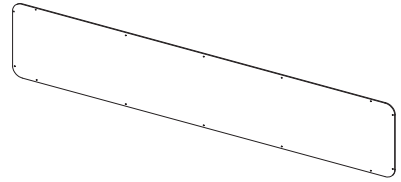
x 2

5



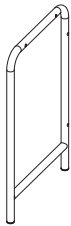
x 1

6



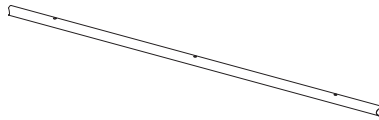
x 1

7



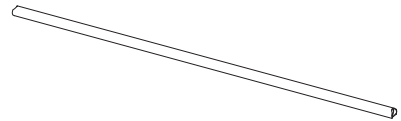
x 2

8



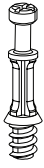
x 2

9



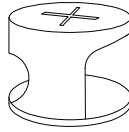
x 2

A



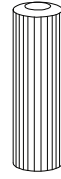
x 10

B



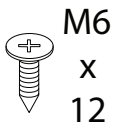
x 10

C



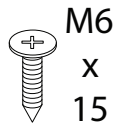
x 14

D



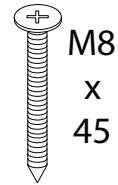
x 14

E



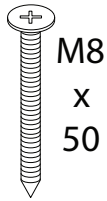
x 2

F



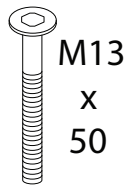
x 6

G



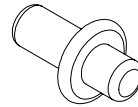
x 2

H



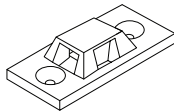
x 8

I



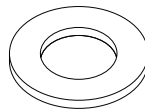
x 4

J



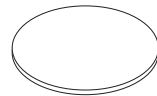
x 2

K



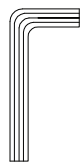
x 6

L



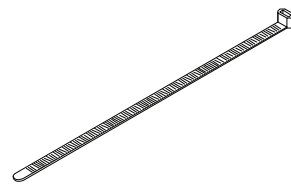
x 2

M



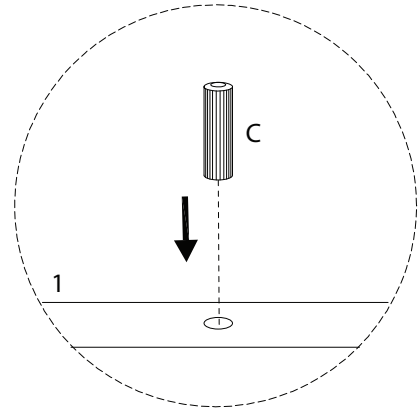
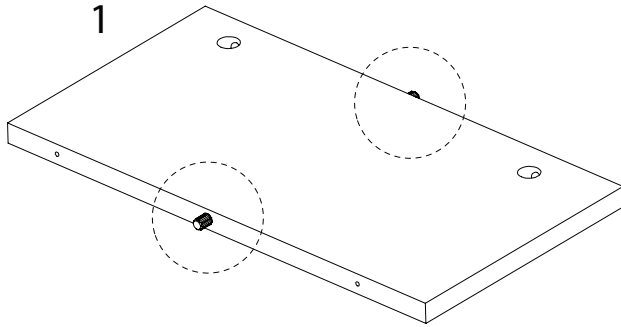
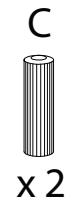
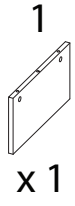
x 1

N

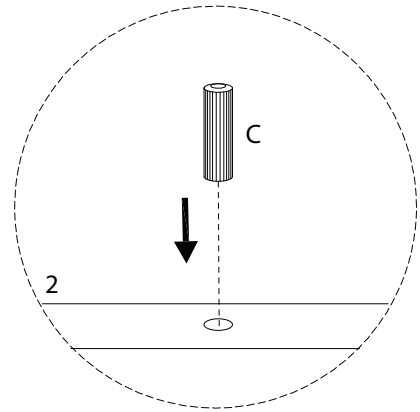
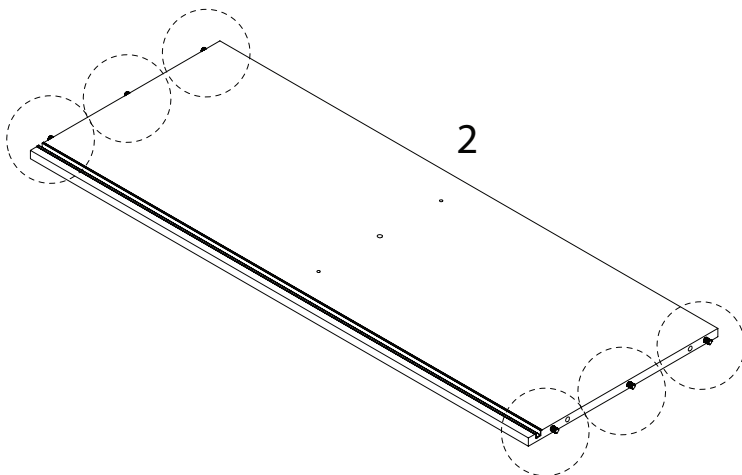
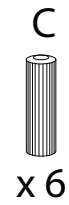
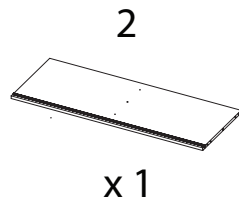


x 1

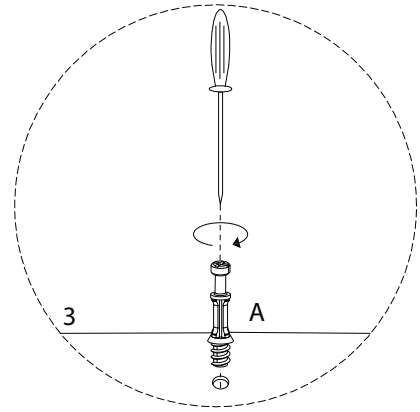
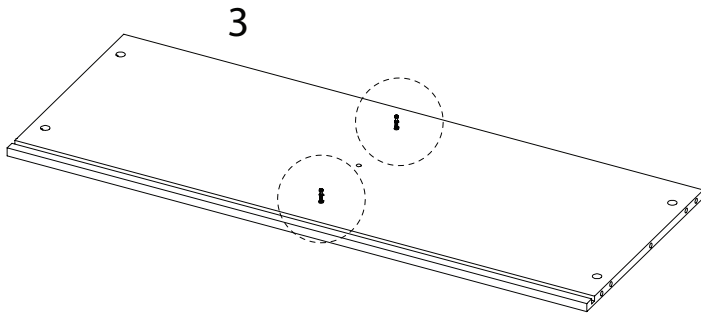
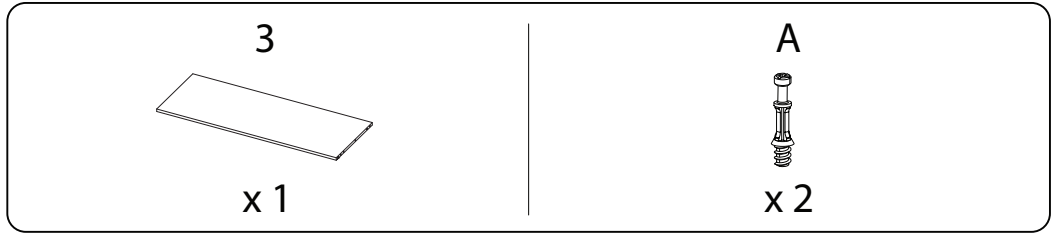
1



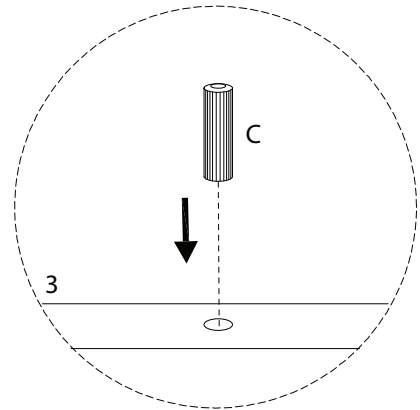
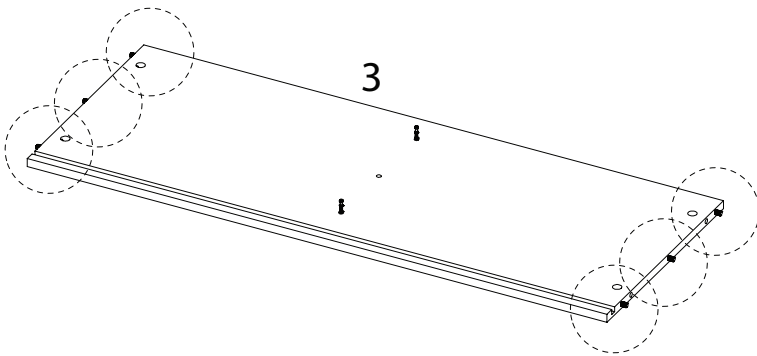
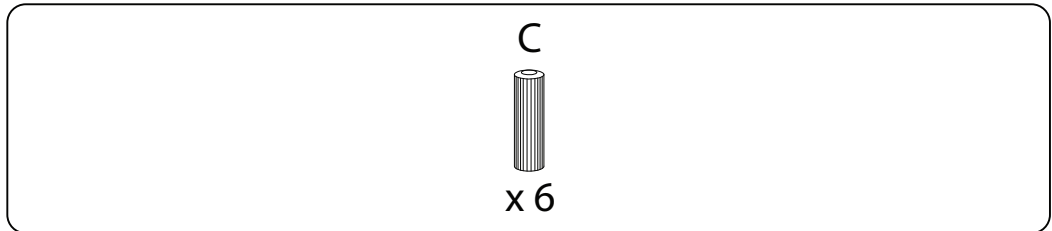
2



3

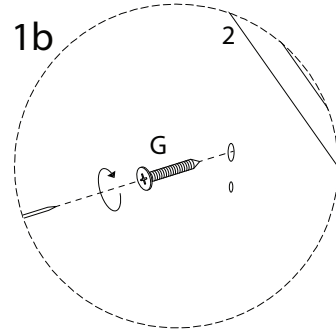
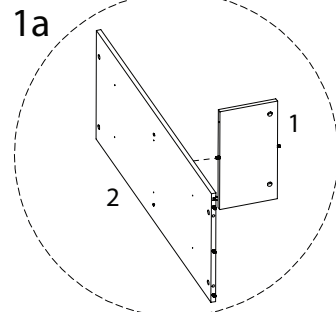
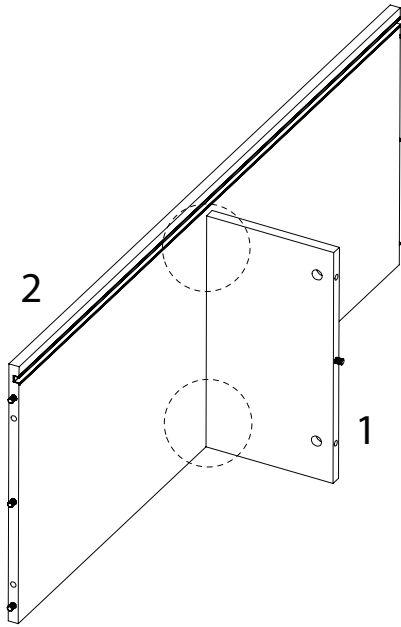


4



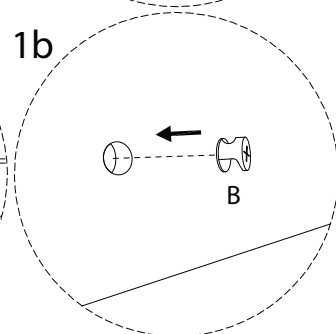
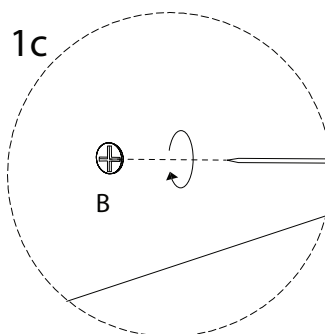
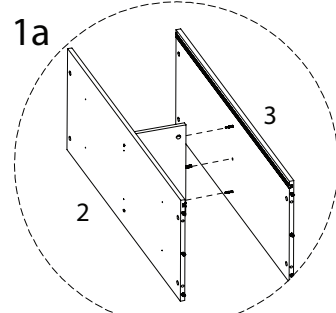
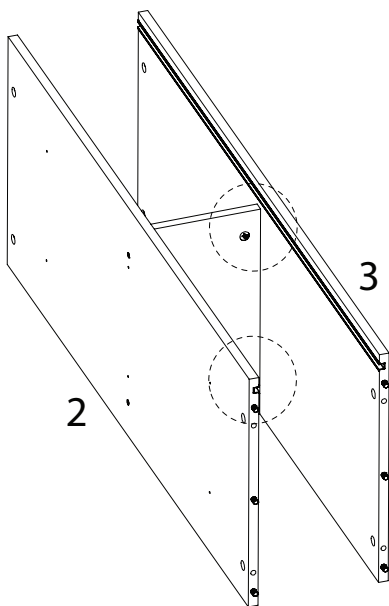
5

G
M8
x
50
x 2

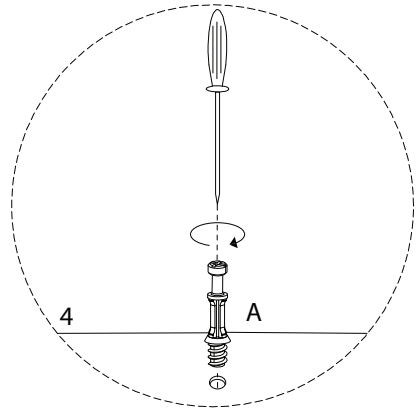
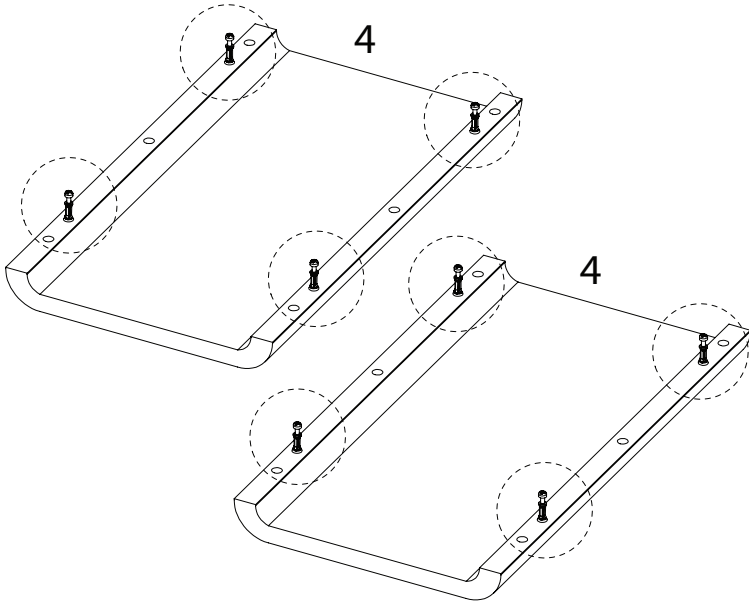
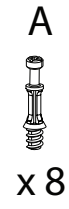
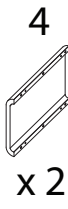


6

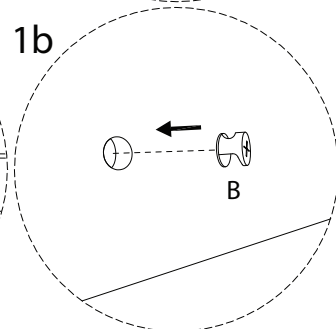
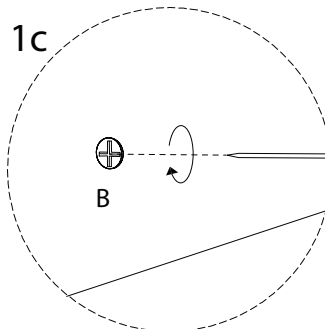
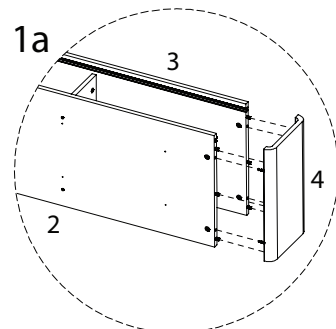
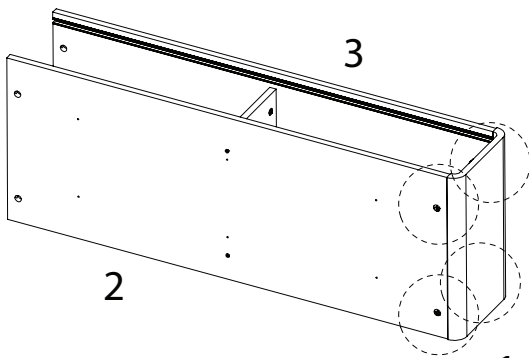
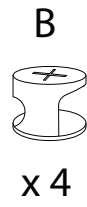
B
x 2



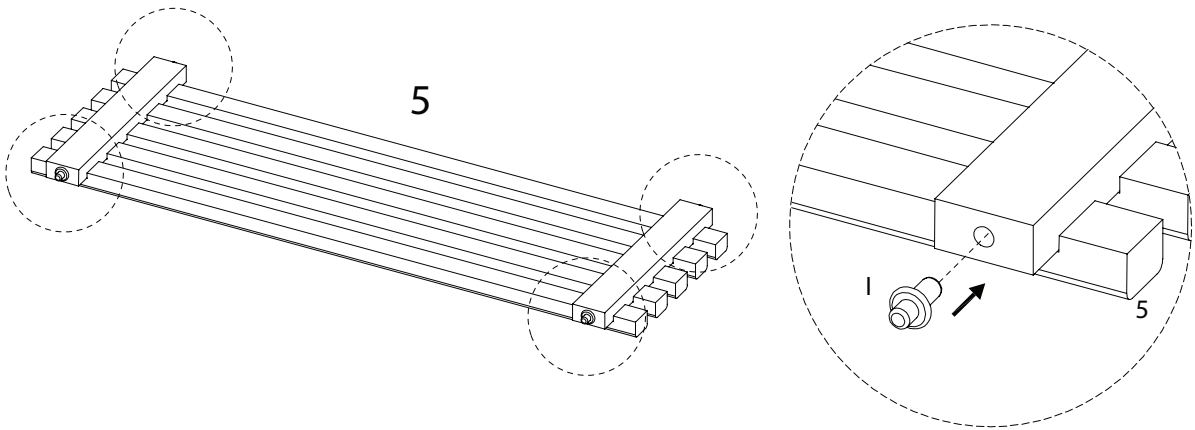
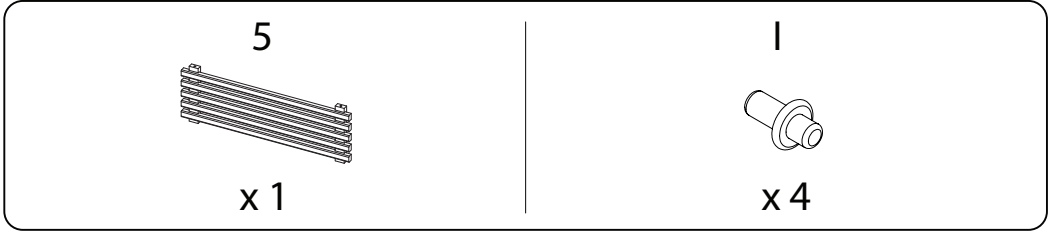
7



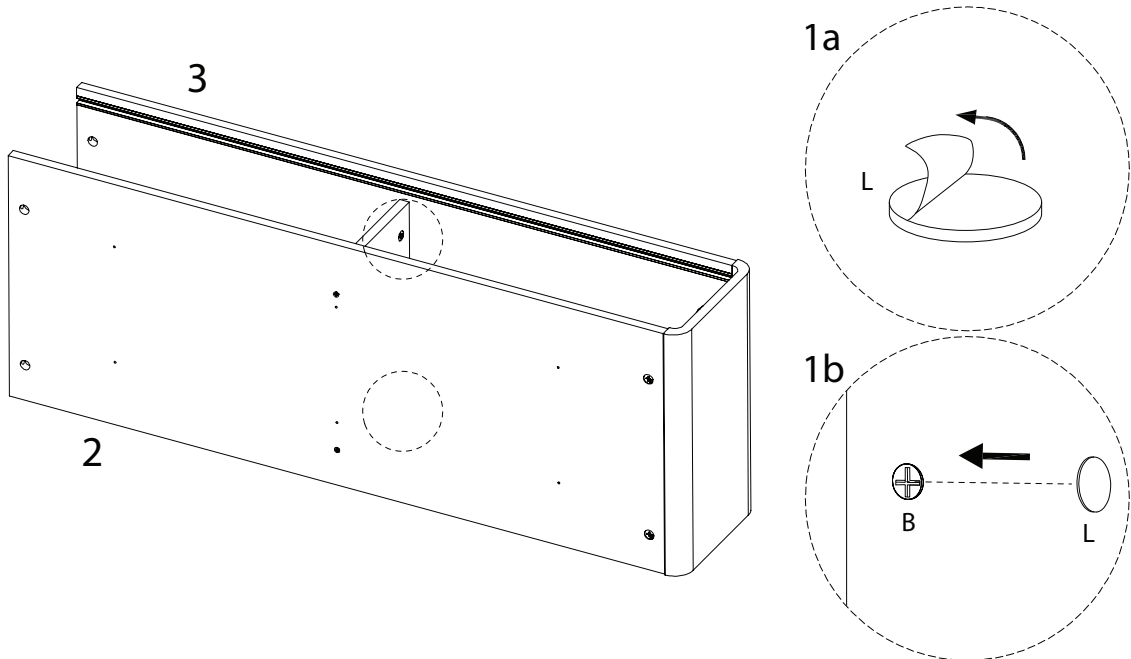
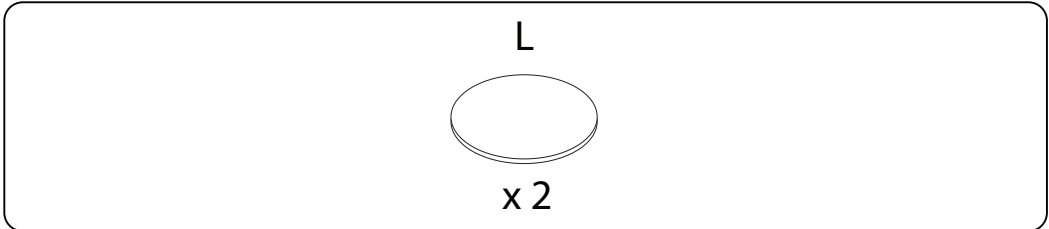
8



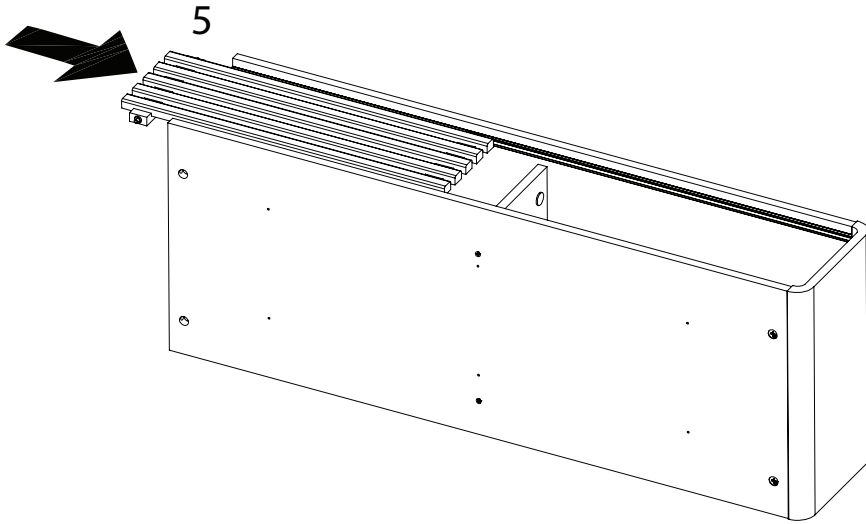
9



10



11

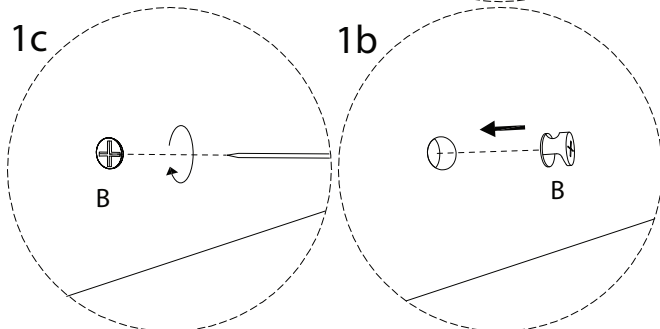
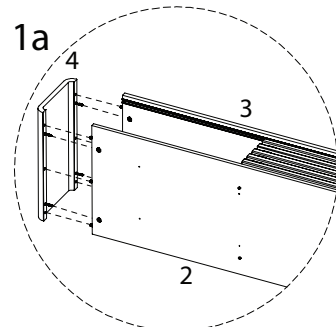
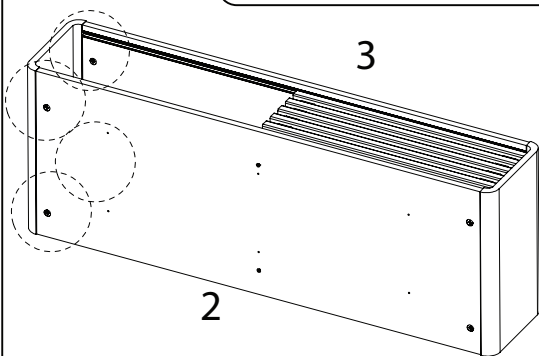


12

B

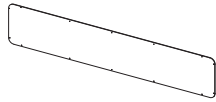


x 4



13

6

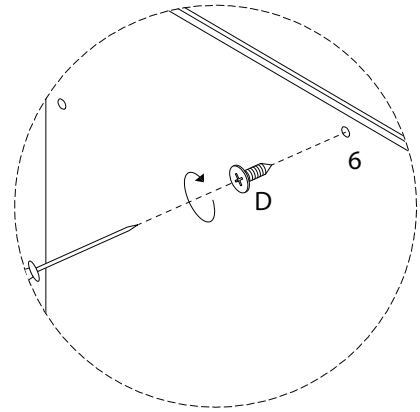
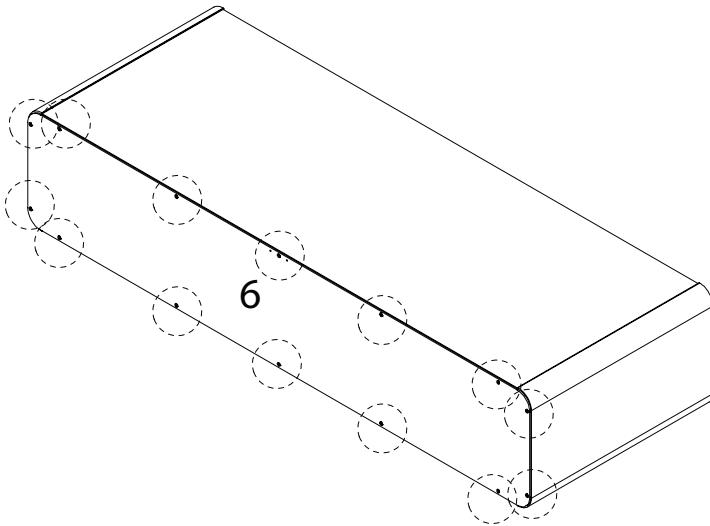


x 1

D

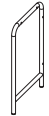


x 14



14

7



x 1

8



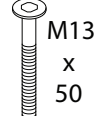
x 2

9



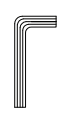
x 2

H

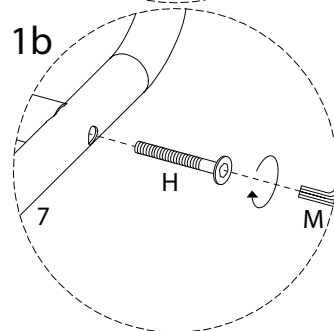
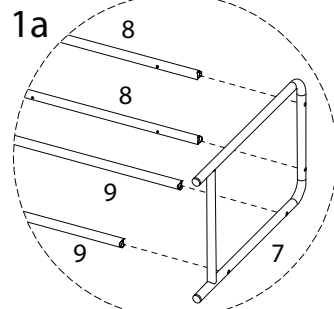
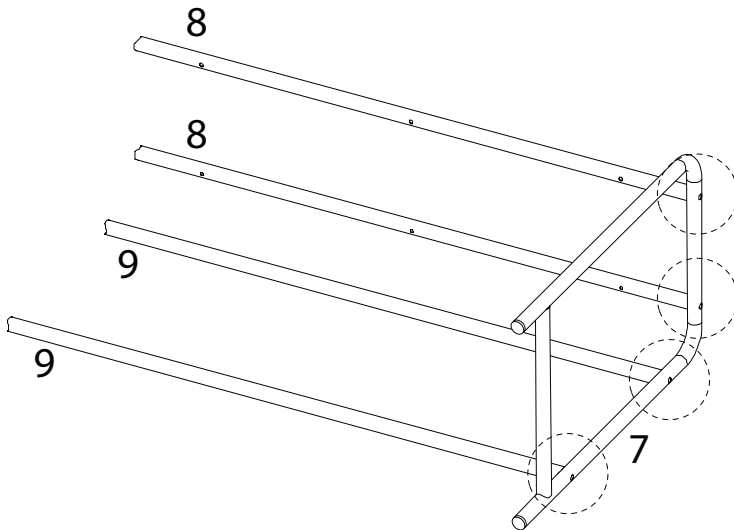


x 4

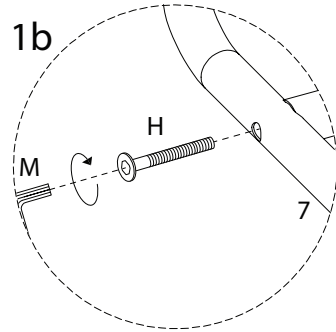
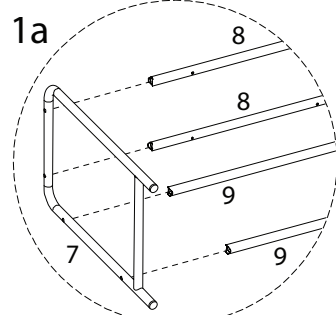
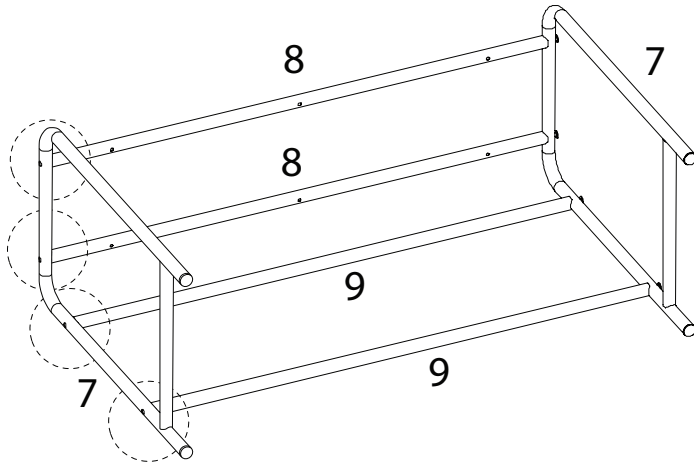
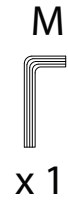
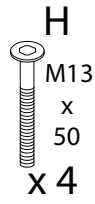
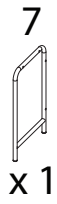
M



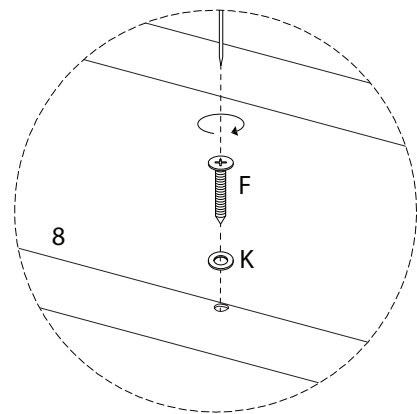
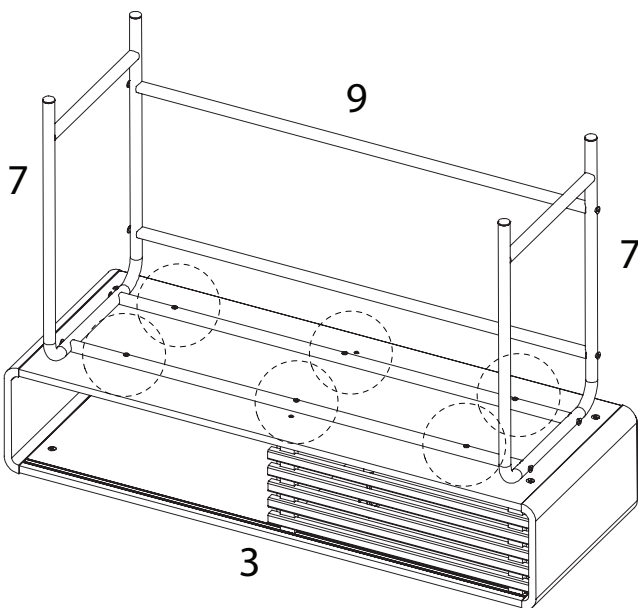
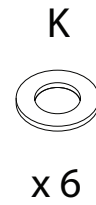
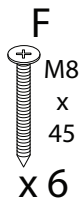
x 1



15

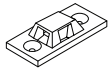


16



17

J

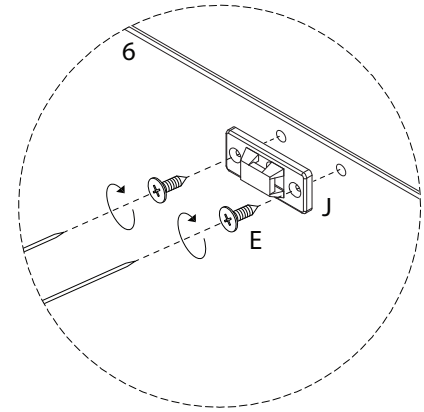
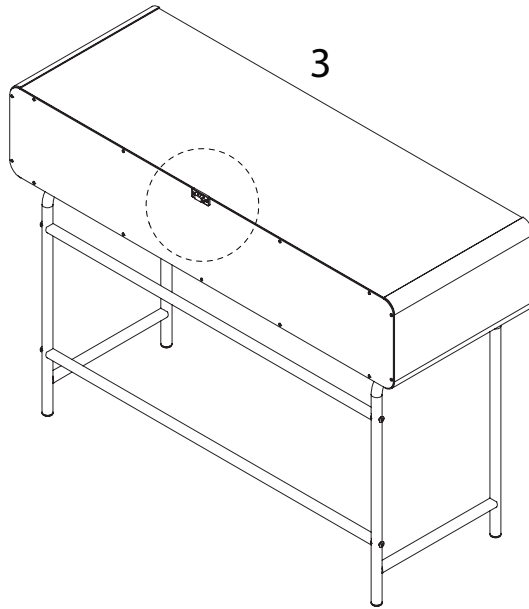


x 1

E

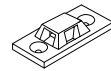


x 2

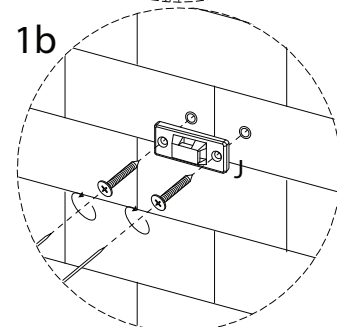
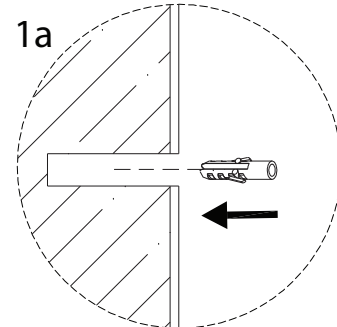
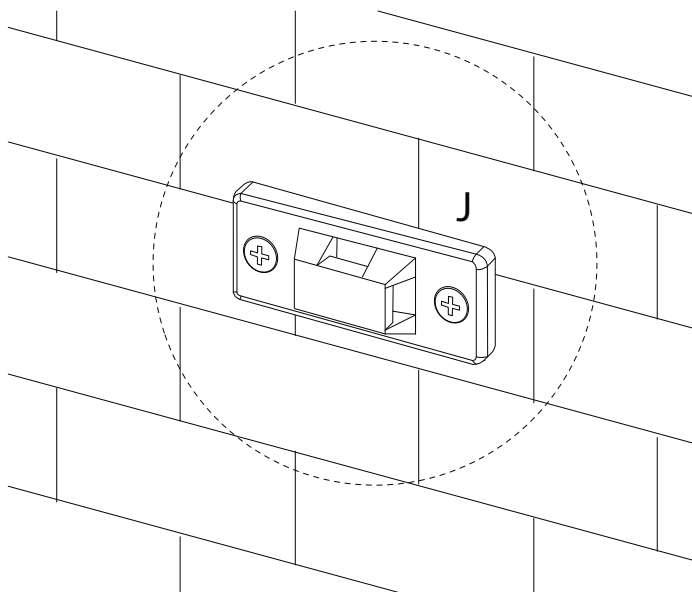


18

J



x 1

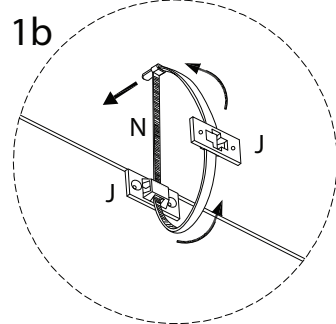
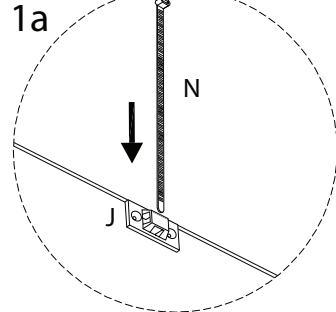
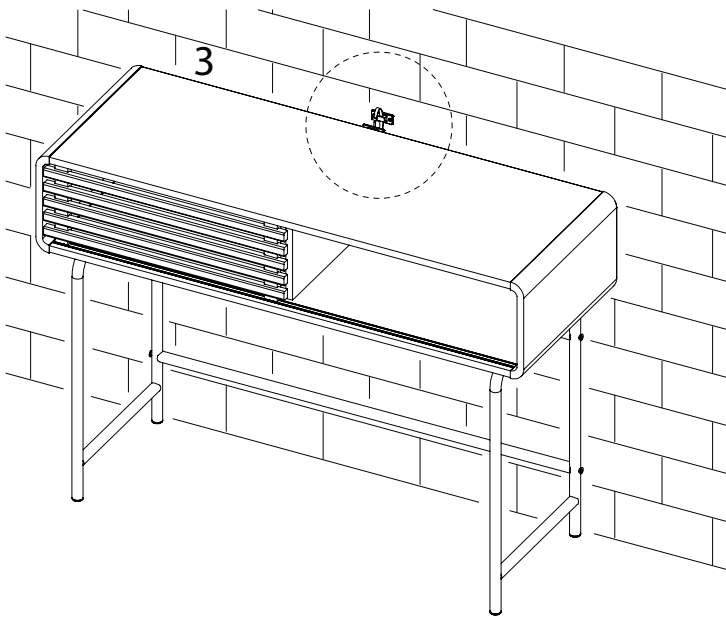


19

N



x 1



20

