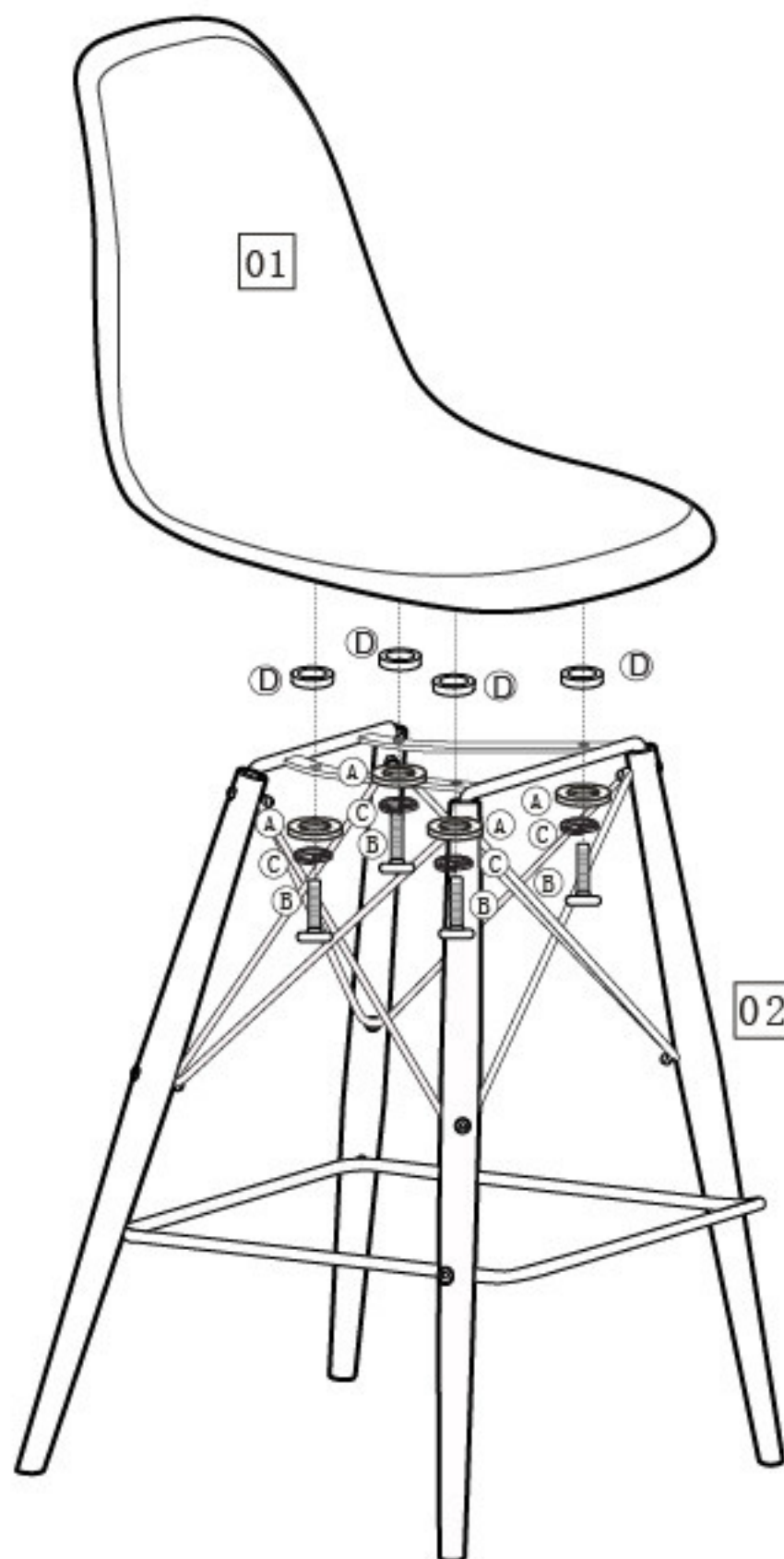



Assembly Instruction

COMPONENT PARTS


FITTINGS



Ⓐ  X4
(Φ12-6*1mm)

Ⓑ  X4
(M6*38mm)

Ⓒ  X4
(M6)

Ⓓ  X4
(Φ25-14*6mm)

 modway

COMPONENT CHECKLIST

PART	No.	Qty.	
Seat	01	1	<input type="checkbox"/>
Leg	02	1	<input type="checkbox"/>

TOOLS REQUIRED



Allen key (supplied)