

INSTALLATION GUIDE

Thank you for choosing our Shower Wall System. When properly installed and cared for, your new Shower Wall System will be easy to maintain and will keep their great look for years. Please read all the instructions carefully before you begin the installation. The manufacturer is not responsible and will not be held liable for any labor costs, project failures or damage incurred as a result of improper installation.

1.GENERAL PREPARATIONS

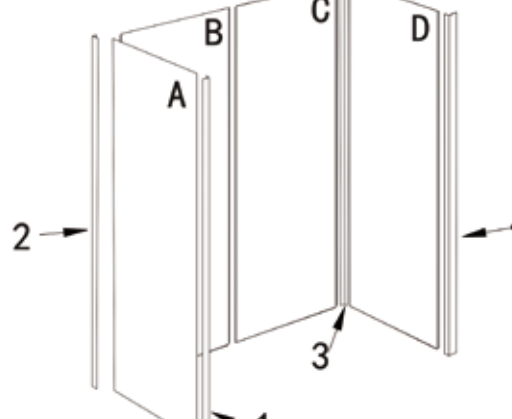
- Prior to installation, inspect material in daylight for visible faults/damage, including defects or discrepancies in color and/or gloss from lot-to-lot, scratches/dents, check the edges of the panels for straightness and any damage. Claims on surface and other inherent defects that were visible before installation will not be accepted after installation.
- Check if substrate conditions comply with the specifications described in these instructions as well as with your local building codes, and whether appropriate moisture abatement measures are present. If you are not satisfied, do not install, and contact your supplier.

2.INDOOR ENVIRONMENT, MATERIAL STORAGE AND ACCLIMATION

- Your new Shower Wall System can be damaged by rough handling before installation. Exercise care when storing, handling, and transporting these products. Store cartons flat, never on edge.
- The product can be heavy and bulky. Always use proper lifting techniques when handling. Whenever possible, make use of material-handling equipment such as dollies or material carts. Never lift more than you can safely handle; get assistance if necessary.
- The environment where the panels are to be installed is critically important with regard to successful installation and continued performance of the product. The panels are intended to be installed in interior locations only.
- Keep the panels at room temperature for at least 24 hours in an unopened package before you start the installation. The room temperature must be maintained consistently between 70-80°F / 20-25°C before and during the installation.
- Panels should only be installed in temperature-controlled environments. It is necessary to maintain a constant temperature of 70-80°F / 20-25°C before and during the installation. The use of portable heaters is not recommended.
- After installation, make sure that the panels are not exposed to temperatures less than 50°F / 10°C or greater than 140°F / 60°C.
- Please follow the adhesive manufacturer's guidelines for storing, acclimation or preparation of the glue prior to installation.

3.GENERAL INFORMATION

- Your Shower Wall System contains:
 - 4 wall panels (2 with T&G and 2 without T&G)
 - 2 W-trims
 - 2 F-trims



- Inspect the substrate carefully. It must be flat, level to 1/8" / 2 mm within 3.3 ft / 1 m, grouts of 5*4 mm to be filled and leveled, clean, free from dust, grease, wax, paint, varnish, oils, sulfur, solvents, excessive moisture, alkali, or any foreign matter and contaminants. Do not use products containing petroleum, solvents or citrus oils to prepare substrates as they might impact the bonding strength of the installation. Use of adhesive abatement chemicals will void the warranty.
- **IMPORTANT:** To ensure proper adhesion of the Shower Wall System, the wall surface must be sealed with a water-based or oil-based primer/sealer. After the primer/sealer is completely dry, complete the installation following the instructions in this manual.
- Your Shower Wall System is not suitable to be installed outdoors, in spaces with temperature exposure outside of the allowed range, or on raw concrete, poured concrete walls or concrete block basement walls. Voids or deviations must be leveled.
- The substrate must be plumb and square, otherwise installer to pattern scribe the panels for perfect fit.
- **NOTE THAT FAULTY WATERPROOFING IN WET AREAS CAN LEAD TO SERIOUS STRUCTURAL DAMAGE. IT IS PARAMOUNT THE SUBSTRATE IS WATERPROOFED OR "TANKED" ACCORDING TO LOCAL BUILDING CODES AND REGULATIONS.**
- Existing ceramic tile walls can be covered with your new Shower Wall System with no additional preparation substrate. Other substrates require installation over a waterproof barrier underlayment or waterproofing membrane, such as Schluter Kerdi Board®, Cement Board®, GP DensShield®, Johns Manville Go Board®, Hardiebacker®, WPBK Triton®, Fiberock® and similar products. Always follow the manufacturer's instructions to create a waterproof enclosure. Failures in the performance of the substrate panel rest solely on the panel manufacturer.
- When installed using a silicone sealer on the whole installation perimeter and in the panel's tongue and groove seams, our Shower Wall System is fully waterproof. It is however always recommended to follow your local building codes for wet environments like showers and other areas with running water.
- When installing in wet environment areas, the adhesive should be fully spread on the surface. Make sure to apply enough adhesive to ensure a good bond, bond testing should be always performed.

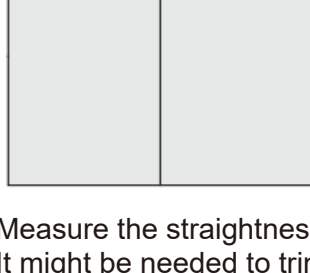
4.BEFORE YOU START

4.1.Tools Required

Protective eye wear, measuring tape, level, circular saw/table saw/sabre saw, drill bit & jig saw or hole saw (for cutting holes), caulking gun, adhesive for PVC panels (MS-polymer based adhesive such as Loctite Power Grab Ultimate, Titebond Titegrab Ultimate), silicone-based sealant, rubber gloves, hand roller.

4.2.Layout and Measuring

- It is recommended to perform a "dry layout" prior to applying any adhesives.
- The panels can only be installed with a vertical orientation:



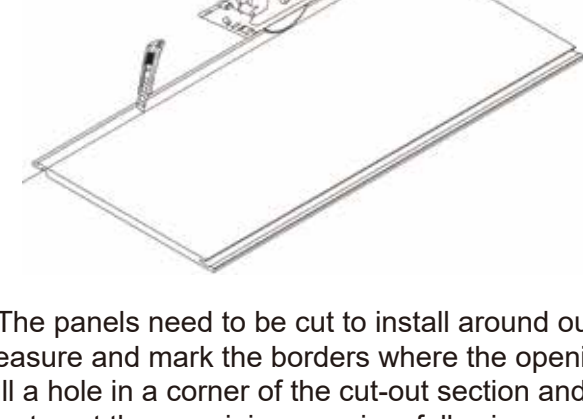
- Measure the straightness and levelness of your walls and edges.
- It might be needed to trim some panels according to the room construction and panel size:
 - Measure the wall height at both ends, from the top of the tub or shower pan to the ceiling. If the ceiling is lower than the panel height, you can trim the panels according to the cutting instructions.
 - Measure the width of each wall at both the top and bottom of the installation area.
 - Mark the locations for plumbing fixtures on the back of the corresponding panel(s) and measure the cut-out areas.

4.3.Cutting

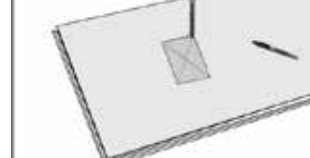
Standard wood working tools like a table saw or circular saw with a fine-tooth blade can provide a clean, smooth cut. Use proper PPE and take safety precautions when handling saw blades and sharp tools. Important: During cutting with a table saw or circular saw, the decorative surface should be face down.



- For trimming or cutting tongue & groove: Score and snap using a circular saw or a sharp utility knife. Snap the tongue off using a vise grip. Ensure proper PPE is worn when handling sharp tools. If necessary, use sandpaper to smooth the snapped edges.

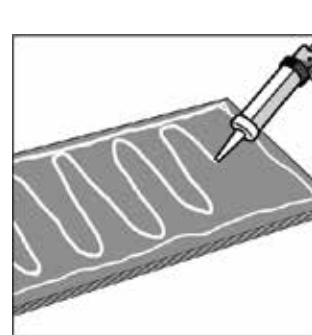


- The panels need to be cut to install around outlets. Measure and mark the borders where the opening will be, drill a hole in a corner of the cut-out section and use a jig saw to cut the remaining opening, following your tracing. If required use sanding paper to smoothen the edges. Important: The drill chuck can damage the wall panel. Drill holes from the backside of the panel to avoid this.

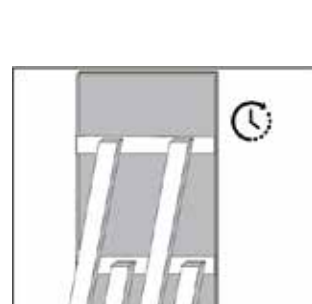
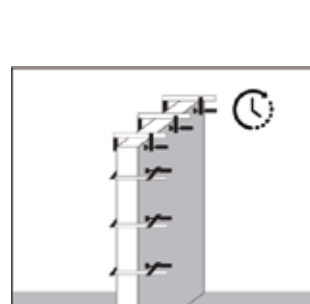


4.4.Adhesive

- Use an adhesive suitable for PVC panels (MS-polymer based adhesive such as Loctite Power Grab Ultimate, Titebond Titegrab Ultimate).
- Always perform adhesion testing to determine the compatibility of the adhesive to the substrate.
- If you're not satisfied, do not install, and contact your supplier or adhesive supplier/manufacturer.
- For trims installation, use construction-grade adhesive.
- Apply the adhesive in a zigzag pattern onto the panel or the substrate. Apply enough adhesive to ensure a good bond, bond testing should always be performed. The adhesive should be fully spread on the surface.



- After applying the adhesive, you can place the panel onto the substrate. It is possible to adjust the position, when you are satisfied, push or roll to ensure full adhesive transfer to the back of the panel.
- All glue residue should immediately be removed using denatured alcohol applied to a clean cloth, do not pour directly onto surface. Never use detergents.
- Apply the panel to the substrate by pressing it into place. Apply even pressure with your hands across the entire panel. If necessary, use shims or pins to hold panels in place until the adhesive sets.



4.5.Sealant

- Prior to installation remove old silicone joints.
- Panels require a 1/8" / 3 mm bead of 100% silicone sealant to be applied in all tongue and groove connections as well as along all cut edges and corners. Note that the panel's groove should always be facing up when installing. If corner trims are used, sealant should be applied in all trim channels (see section "Trims").

4.6.Trims

- Two W-trims and two F-trims are included in your Shower Wall System. Other trims are available at your retailer or supplier. These provide an easy and stylish way to finish up or upgrade your installation.

A. Inside Corners

W-Trims should be secured with adhesive in the corners. Dispense a small bead of sealant into each of the trim's channels to prevent water from reaching the substrate.

B. Outside Edges

F-Trims are used to finish the terminal end of panels when not under anything. To install, apply a thin bead of adhesive on the inside channel of the trim and slide into place underneath your panel. It is possible to use some painter's tape to hold the trim in place until the adhesive cures.

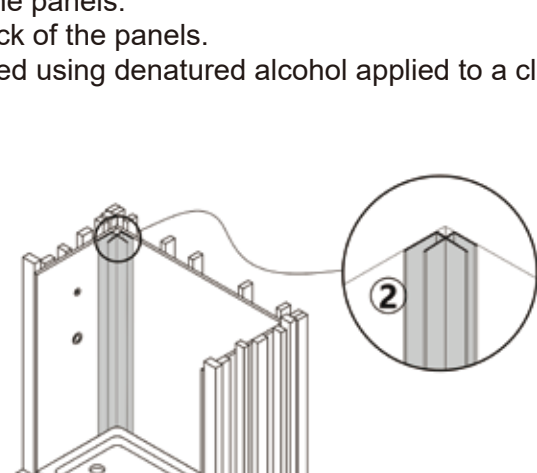
5.INSTALLATION

- **Tips:**
 - If necessary, cut the panels to size and make any plumbing cut-outs, following the instructions in the 'Cutting' section and using the measurements from the 'Layout and Measuring' step. You may need to trim slightly beyond or less of the tongue side of the panel to achieve a proper fit and finish.
 - When applying glue following the instructions outlined in the 'Adhesive' section.
 - Use rubber gloves to enhance grip and friction while handling the panels.
 - Use a hand roller to help spread evenly the adhesive on the back of the panels.
 - All silicone and adhesive residue should immediately be removed using denatured alcohol applied to a clean cloth, do not pour directly onto surface. Never use detergents.

- Follow the below installation sequence:

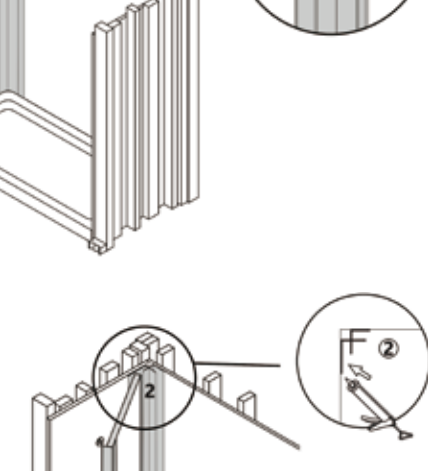
I. Left Internal Corner Trim (Trim 2):

- Apply adhesive to both surfaces of Trim 2 that will be in contact with the substrate.
- Align the trim and press it firmly into place as shown.



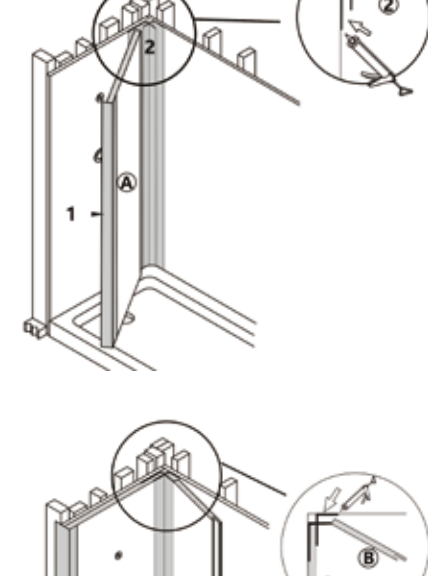
II. Left Side Panel (Panel A) and Left F-Trim (Trim 1):

- Measure and, if necessary, cut Panel A to fit the required space to complete your corner.
- Fill the internal corner gap of Trim 1 with silicone and insert Panel A into it.
- Apply glue to the back of Panel A and to the surface of Trim 1 that will be in contact with the substrate.
- Fill the internal corner gap of Trim 2 with silicone, then insert Panel A into Trim 2 until the interlocking joint is secure and properly aligned.



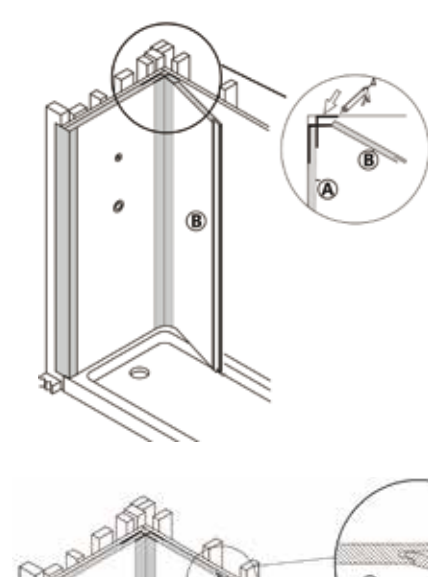
III. Left Back Panel (Panel B):

- Ensure that the groove of Panel B is facing right side of installation.
- Cut the tongue side of Panel B using either a circular saw or a utility knife. Repeat the step carefully and snap the tongue off using a vise grip.
- Measure and, if necessary, cut Panel B to fit the required space.
- Apply glue to the back of Panel B.
- Fill the internal corner gap of Trim 2 with silicone and insert Panel B into Trim 2 until the interlocking joint is secure and in place.



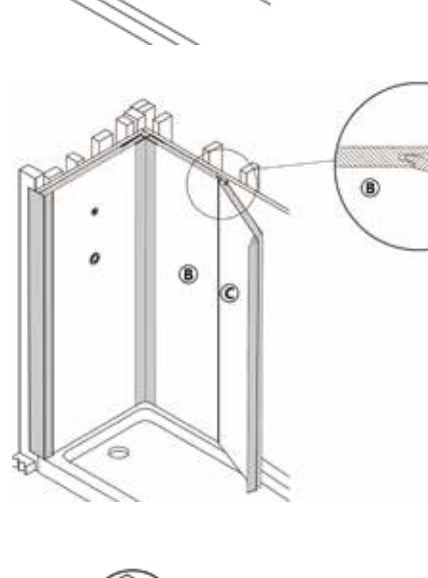
IV. Right Back Panel (Panel C) and Right Internal Corner Trim (Trim 3):

- Ensure that the tongue of Panel C is facing left side of installation.
- Cut the groove side of Panel C using either a circular saw or a utility knife. Repeat the step carefully and snap the groove off using a vise grip.
- Measure and, if necessary, cut Panel C to fit the required space.
- Fill the internal corner gap of Trim 3 with silicone and insert Panel C into it.
- Apply glue to the back of Panel C and to both surfaces of Trim 3 that will be in contact with the substrate.
- Fill the groove of the previous panel (Panel B) with silicone and insert Panel C until the interlocking joint is secure and in place.



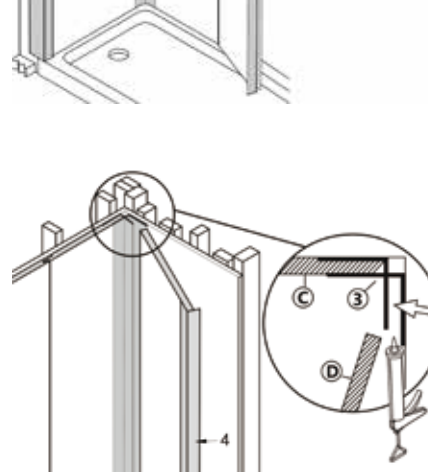
V. Right Side Panel (Panel D) and Right F-Trim (Trim 4):

- Measure and, if necessary, cut Panel D to fit the required space to complete your corner.
- Fill the internal corner gap of Trim 4 with silicone and insert Panel D into it.
- Apply glue to the back of Panel D and to surface of Trim 4 that will be in contact with the substrate.
- Fill the internal corner gap of Trim 3 with silicone and insert Panel D into it until the interlocking joint is secure and in place.



VI. Sealing Joints and Edges:

- **IMPORTANT:** To guarantee a secure fit and finish, properly caulk your Shower Wall System, including the top, sides, bottom, and interior corners of the panels. Allow the entire area to remain dry for at least 24 hours before use.



6.Finishing and maintenance

- Accessories like hooks, mirrors and other fittings should not be attached directly on the panels. For waterproofing purposes, set anchors should be sealed per your sealant manufacturer's instructions.
- Use door stops, hinge stops, or door knob covers to prevent damage from doors.
- Do not attach heavy accessories like coat hooks, light fittings, mirrors, etc. directly to the panels but drill holes through the panels and use suitable screws and plugs to attach the accessories securely in the wall behind. Put an extra support behind the panels.
- For maintenance use ordinary household products.
- You can thoroughly clean the panels using a soft, non-abrasive cleaning agent. However, you usually only need a damp cloth to clean the panels.
- Do not use abrasives, aggressive substances, solvents or chloride-based cleaning products.