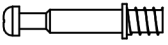





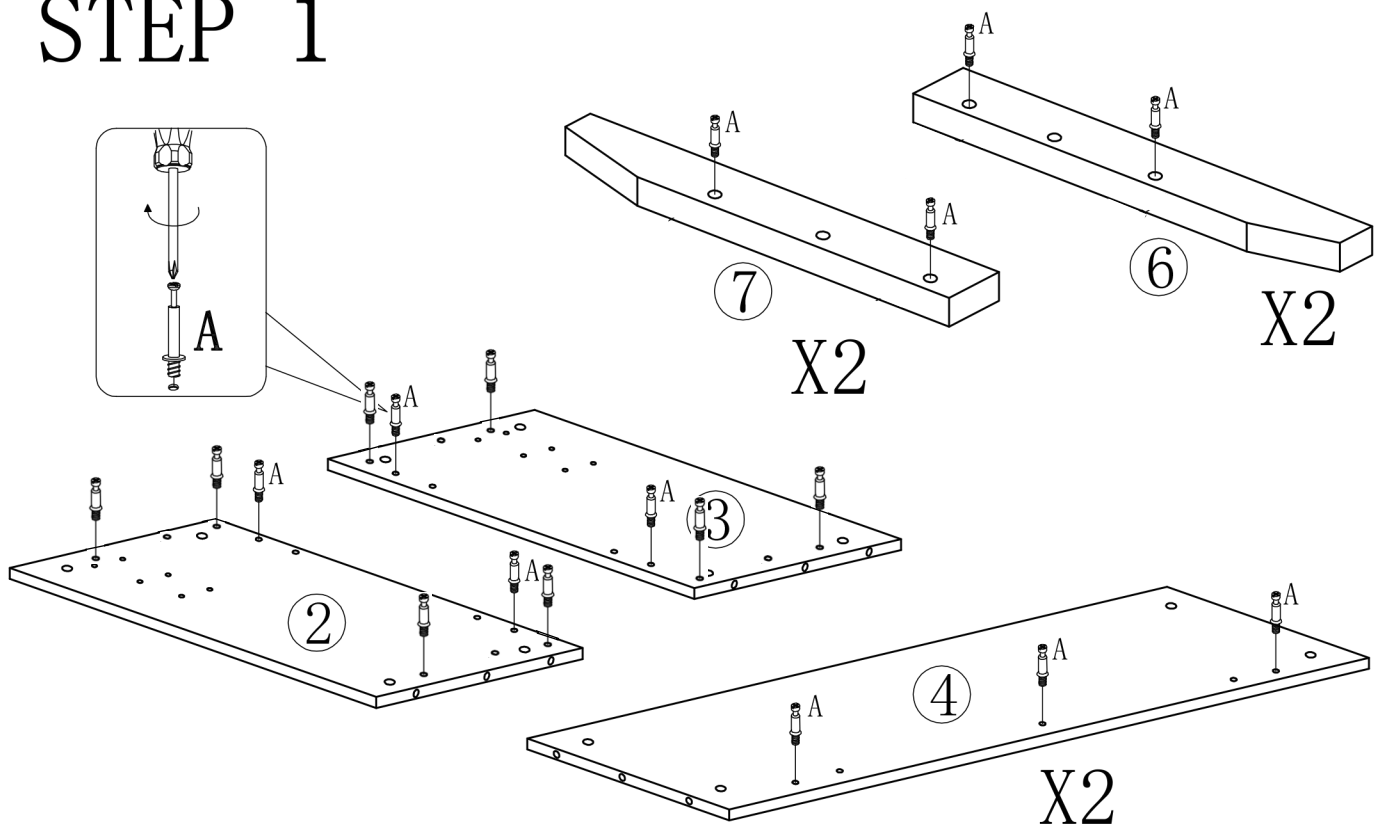
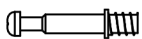


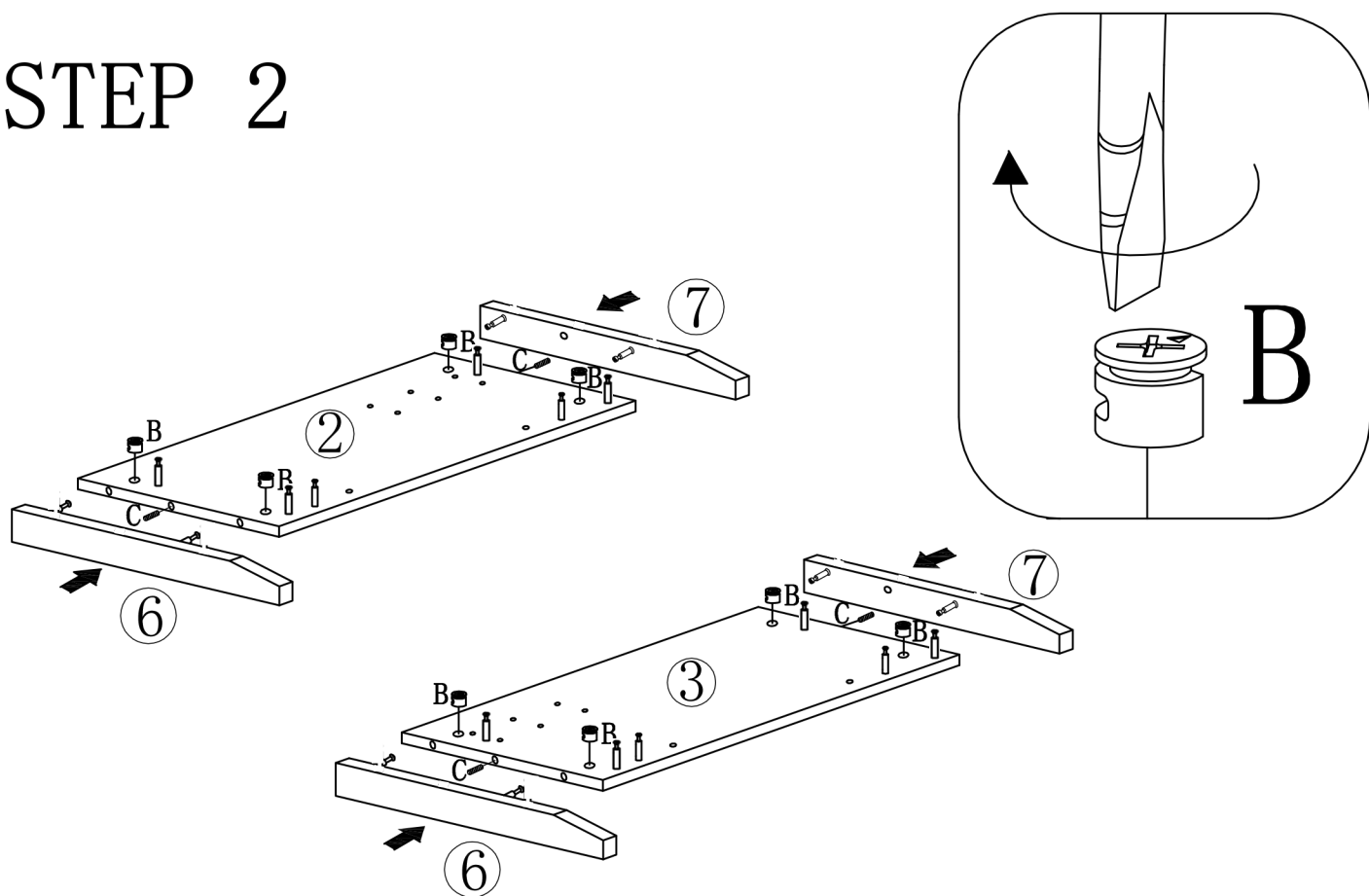
A	*26	B	*26	C	*16	D	*18+2 (SPARE PARTS)	E	*1	F	*1
											
				∅ 7.8X30		3 5*14mm					



# STEP 1



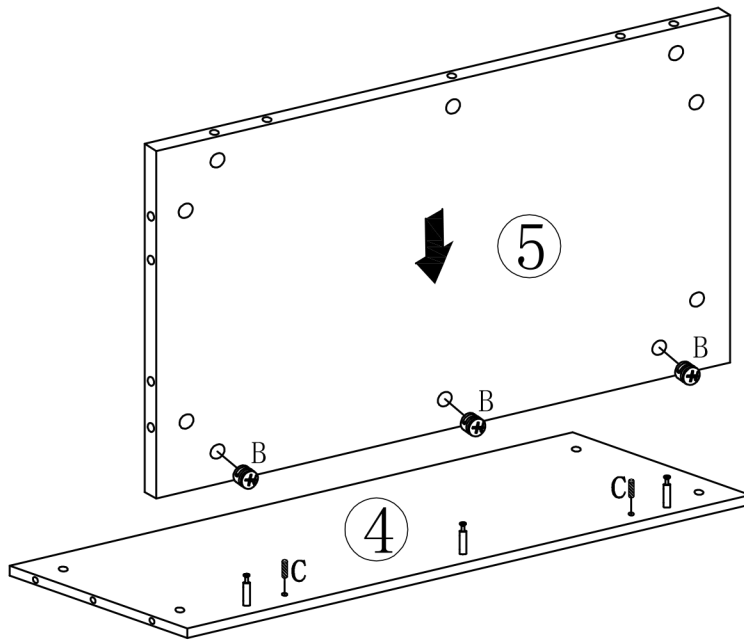
A	*26
	



# STEP 2



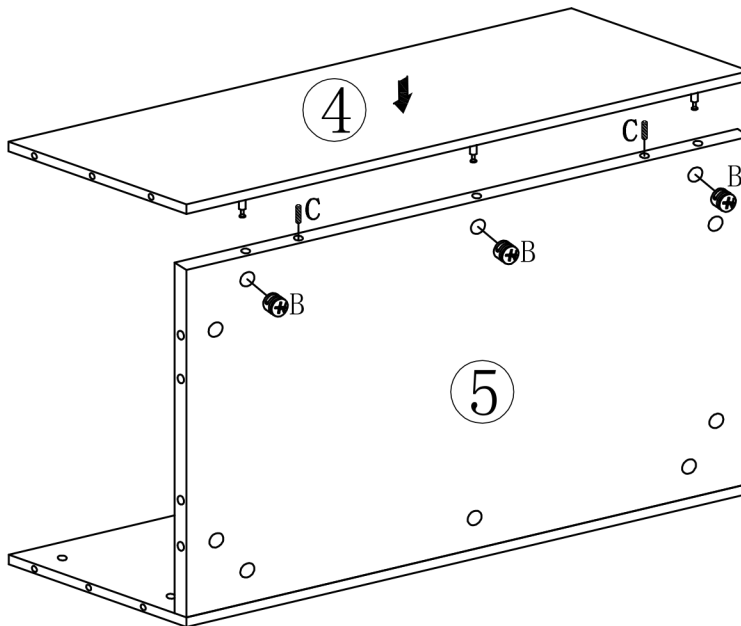
B	*8	C	*4
			
		$\phi 7.8 \times 30$	



# STEP 3



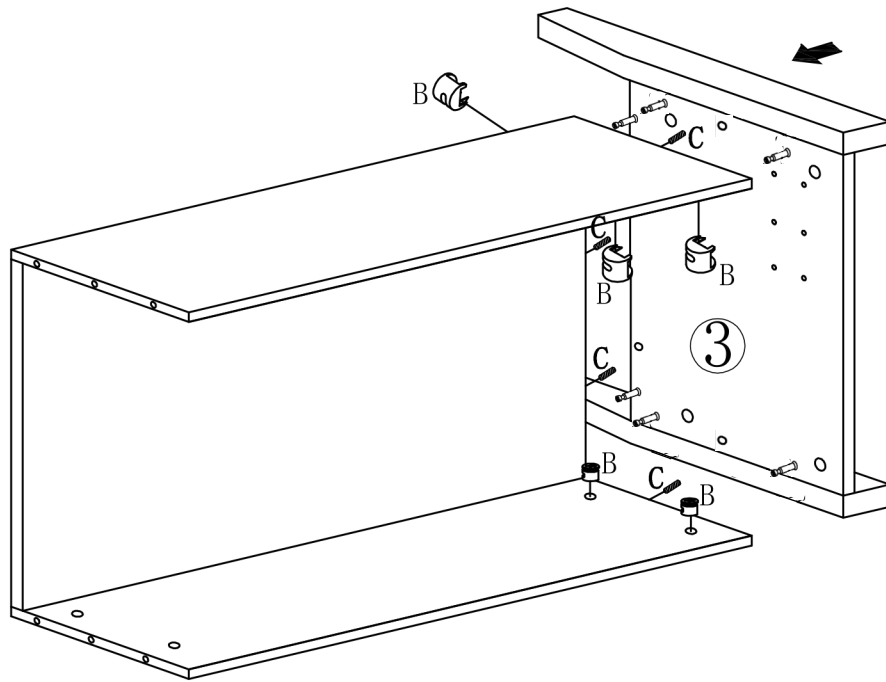
B	*3	C	*2
			
		φ 7. 8X30	



# STEP 4



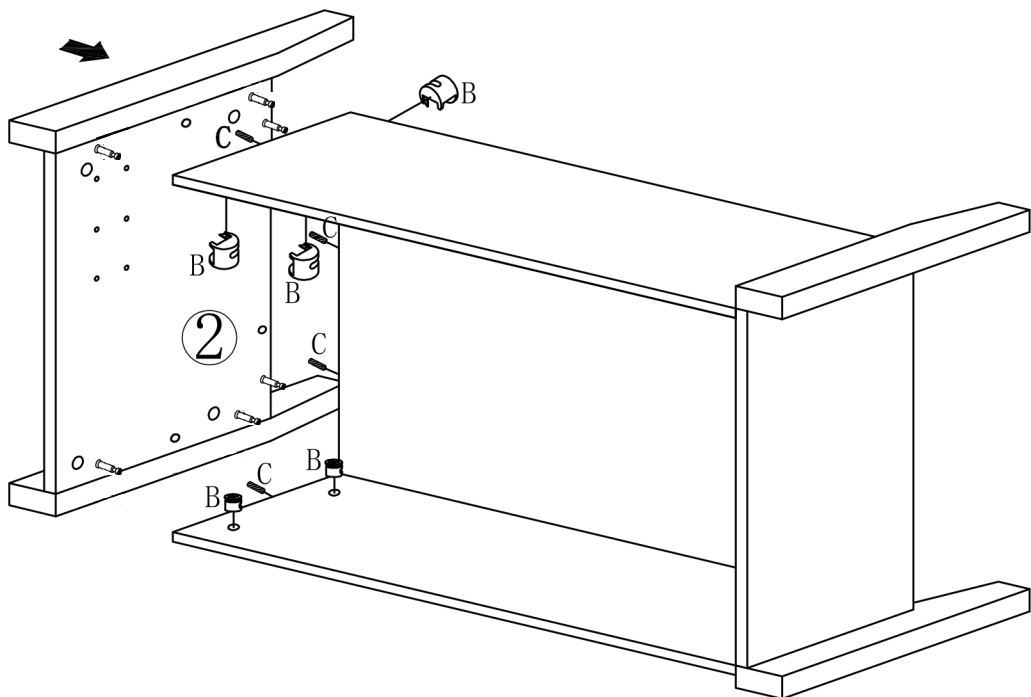
B	*3	C	*2
			
		φ 7. 8X30	



# STEP 5



B	*6	C	*4
			
		φ 7. 8X30	

# STEP 6

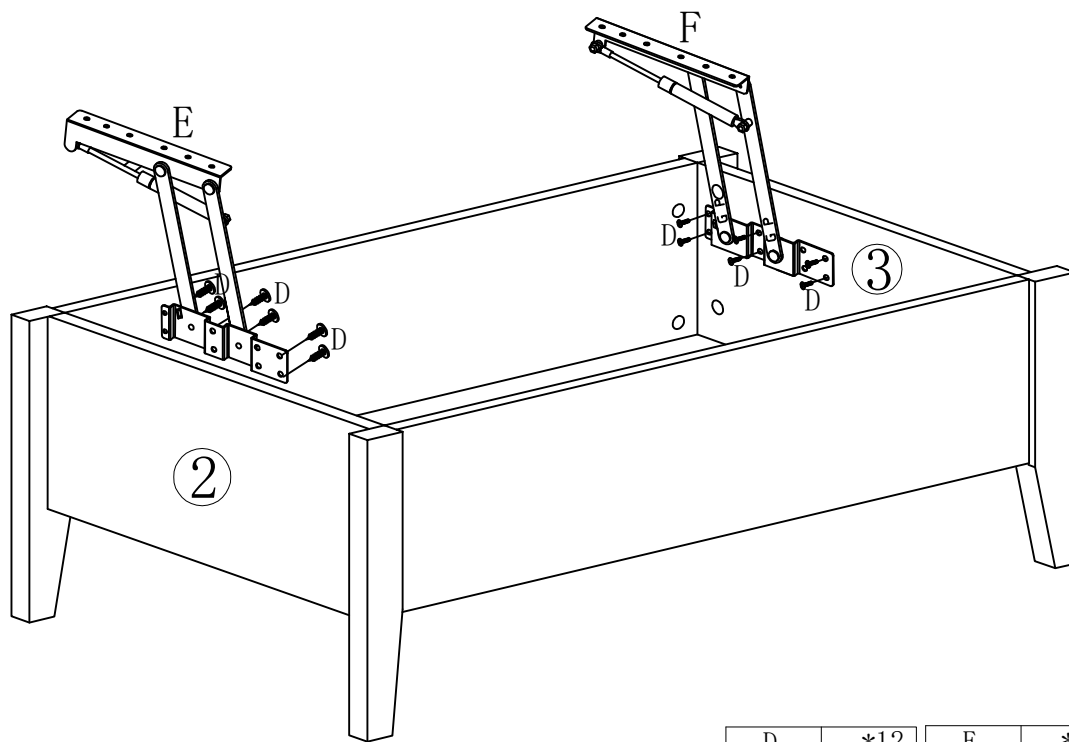





B	*6	C	*4
			
		φ 7. 8X30	

# STEP 7

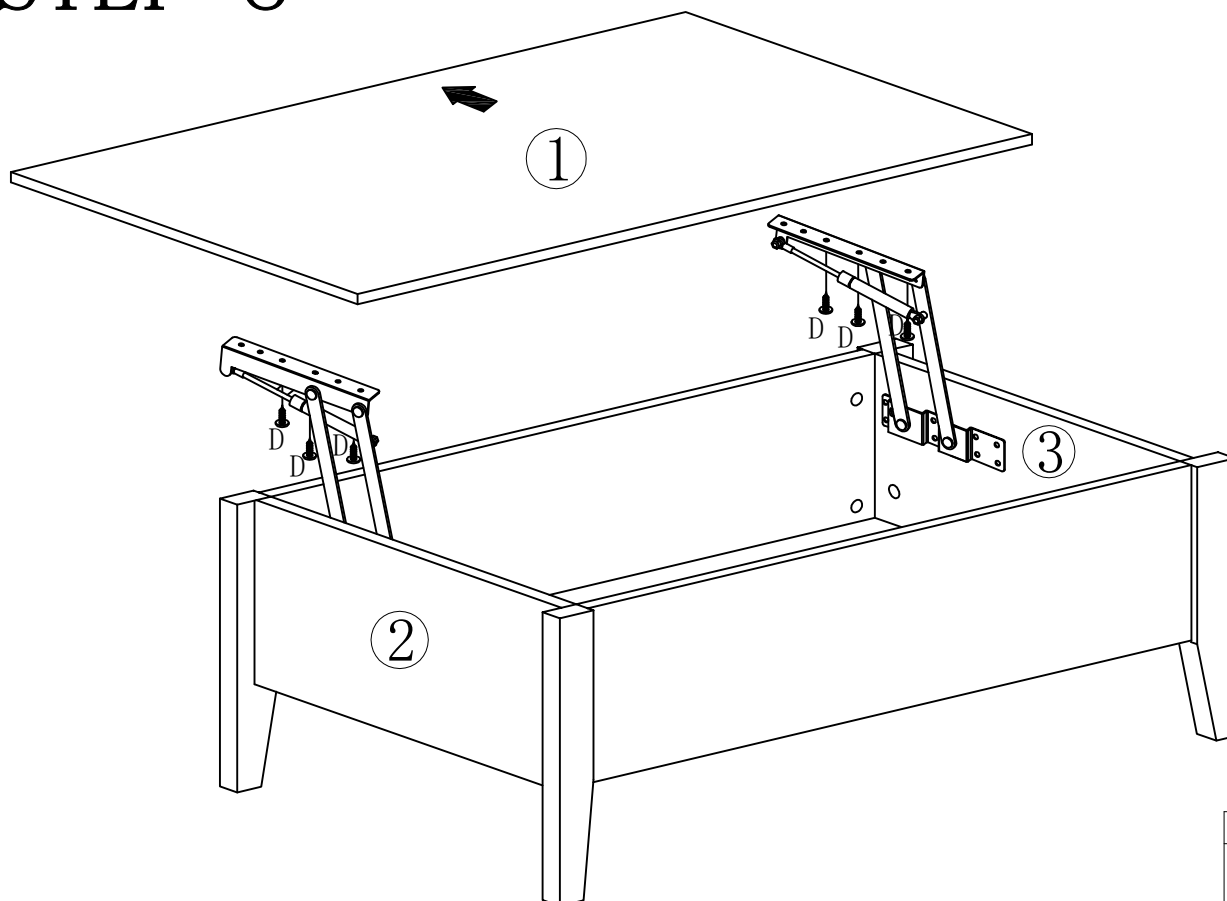
PART ② MATCH PART E


PART ③ MATCH PART F



D	*12	E	*1	F	*1
					
3.5*14mm					

# STEP 8



D	*6
	
3.5*14mm	