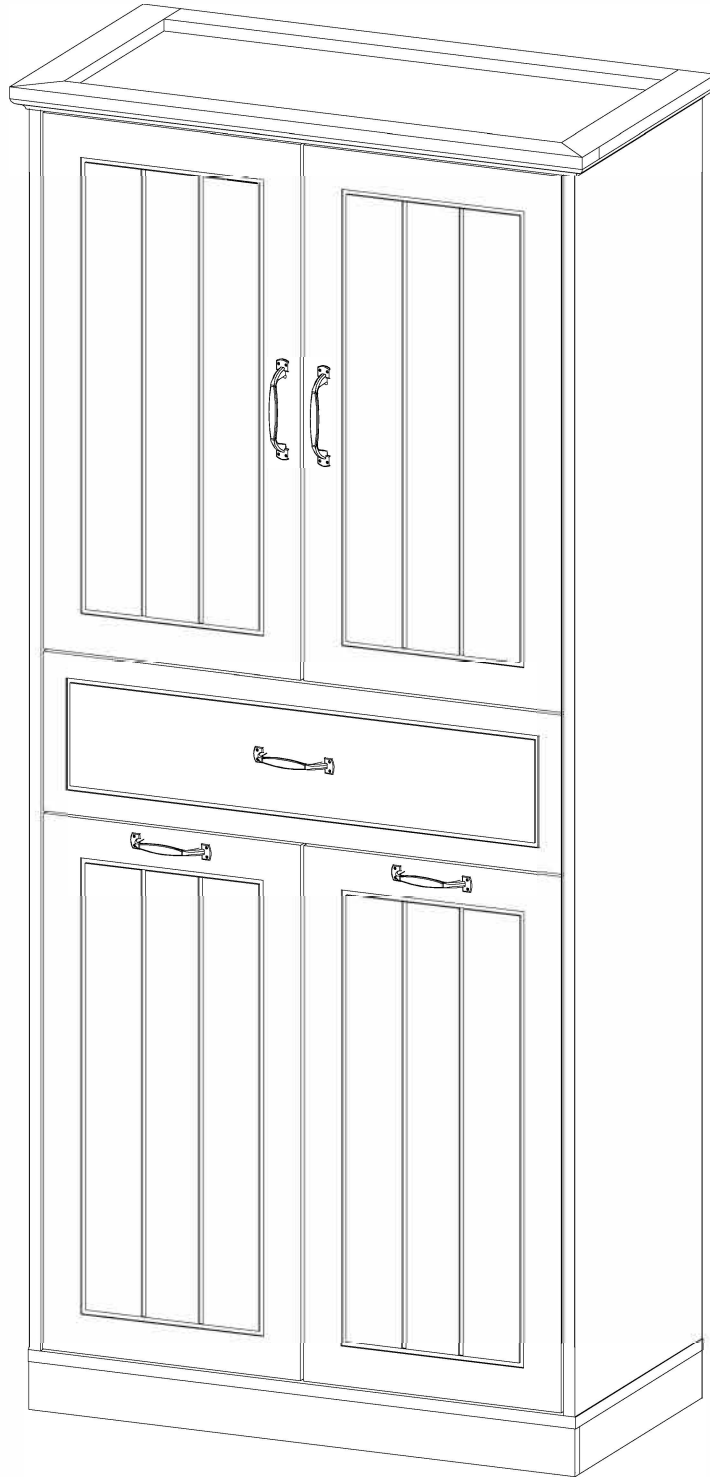
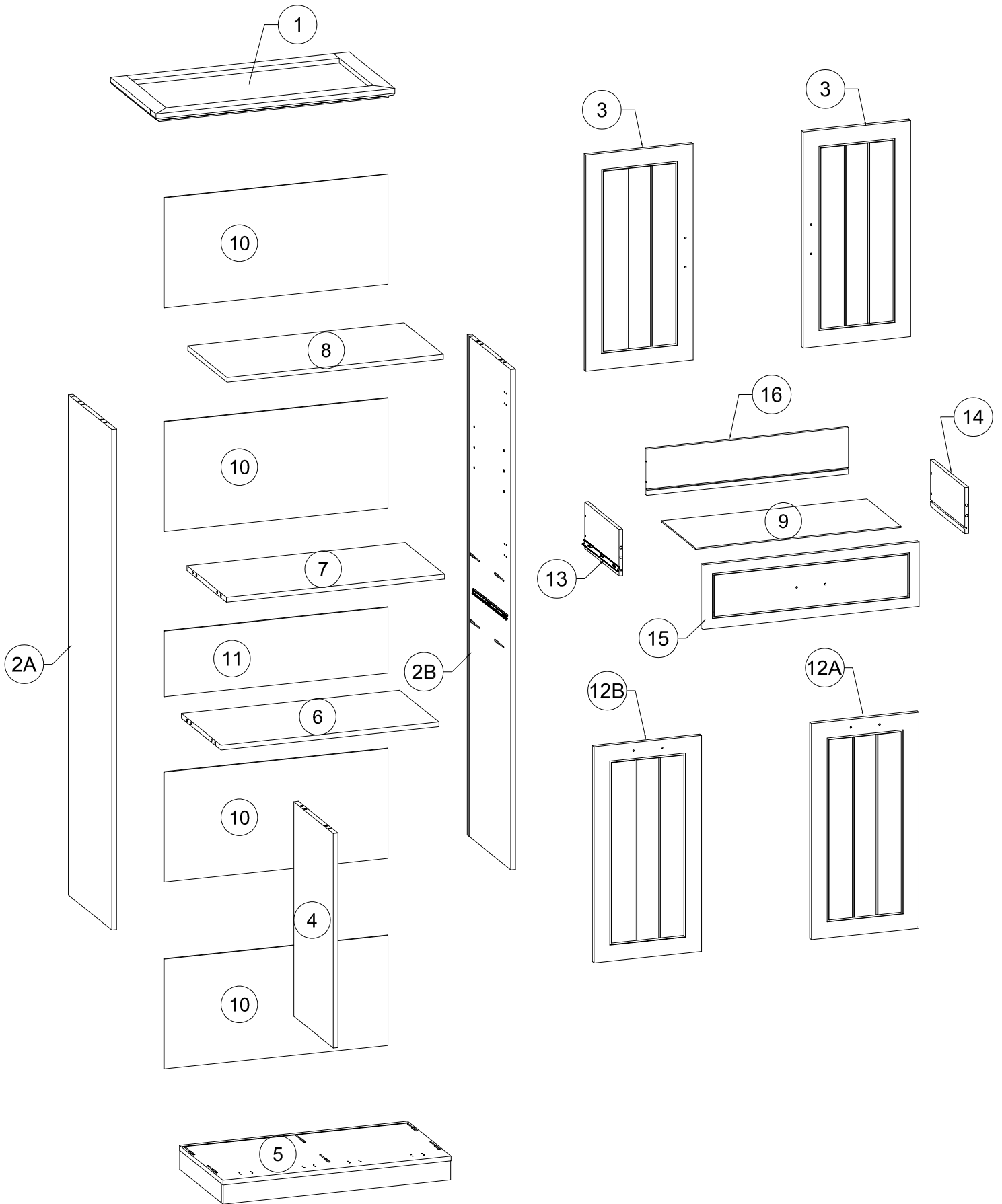


ASSEMBLY INSTRUCTION

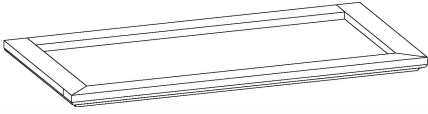


ASSEMBLY INSTRUCTION



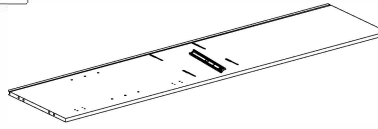
Part List

1



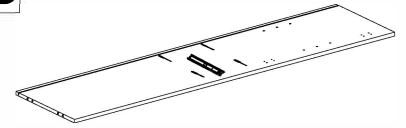
The Top Of The Cabinet - 1pc

2A



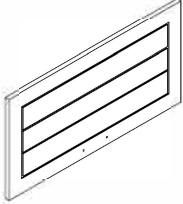
Side Edge Of Cabinet - 1pc

2B



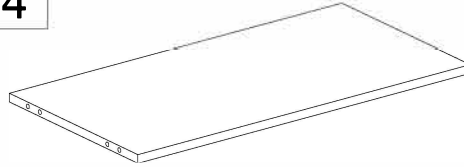
Side Edge Of Cabinet - 1pc

3



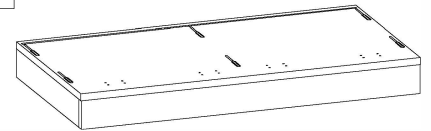
Cabinet Wings - 2pcs

4



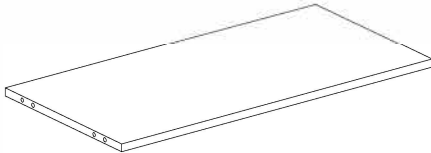
Cabinet Divider Shelf - 1pc

5



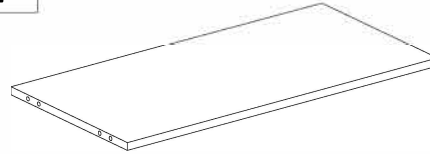
Cabinet Bottom - 1pc

6



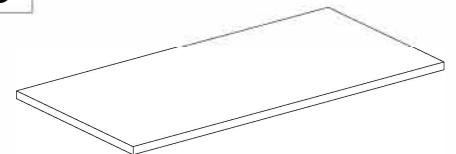
Fixed Shelves - 1pc

7



Fixed Shelves - 1pc

8



Moving Shelves - 1pc

9



Drawer- Bottom Panels - 1pc

10



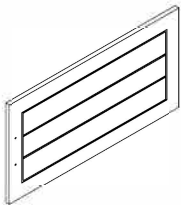
Cabinet Back - 4pcs

11



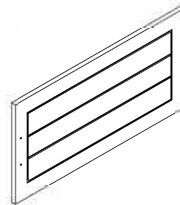
Cabinet Back - 1pc

12A



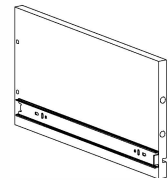
Right Cabinet Wing - 1pc

12B



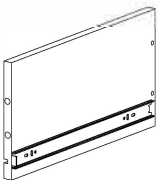
Left Cabinet Wing - 1pc

13



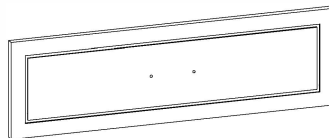
Drawer- Side Panels - 1pc

14



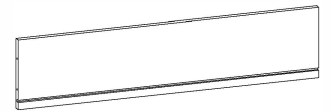
Drawer- Side Panels - 1pc

15



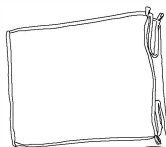
Drawer- Front Panels - 1pc

16








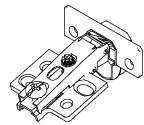

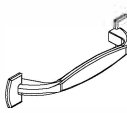

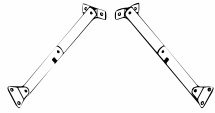


Drawer- Back Panels - 1pc

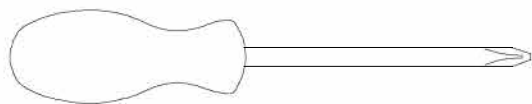
M



Cloth Bag - 2pcs

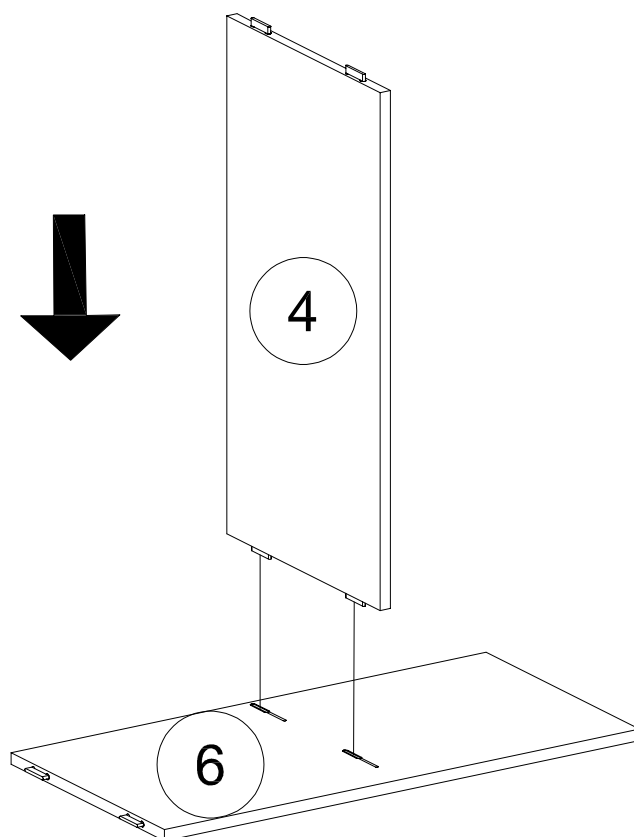
Hardware List

<p>A</p>  <p>Support Pin (9mm) 4pcs</p>	<p>B</p>  <p>Hanger 8pcs</p>	<p>C</p>  <p>M3.5 x 15mm Wood Screws 72pcs</p>
<p>D</p>  <p>M4 x 15mm Wood Screws 48pcs</p>	<p>E</p>  <p>Plastic Wedges 28pcs</p>	<p>F</p>  <p>Hinge 8pcs</p>
<p>G</p>  <p>M4 x 15mm Truss Head Wood Screws 10pcs</p>	<p>H</p>  <p>Cabinet Door 5pcs</p>	<p>I</p>  <p>M4 x 30 mm Wood Screws 4pcs</p>
<p>J</p>  <p>Crankshaft 2 set (2L-2R)</p>	<p>L</p>  <p>1 2 Clamp pin 4 set</p>	<p>N</p>  <p>1 2 3 4 5 Anti Fall 2 set</p>



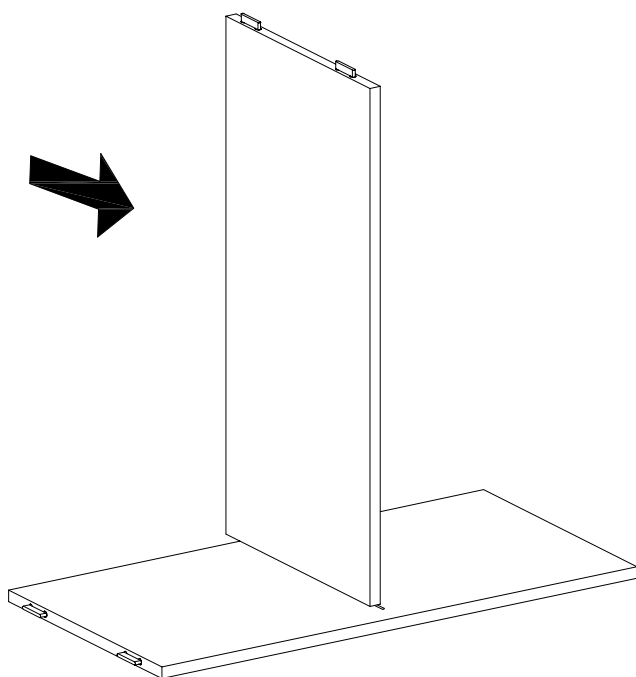
Assembly Tools Required (Not Included)

STEP 1.1: Following below illustration:

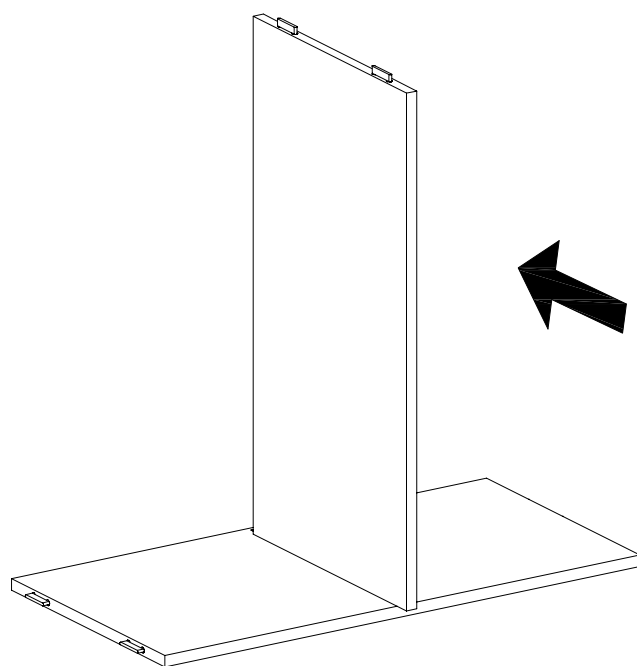


STEP 1.2: Following below illustration:

Check all joints are level and the rear groove is straight

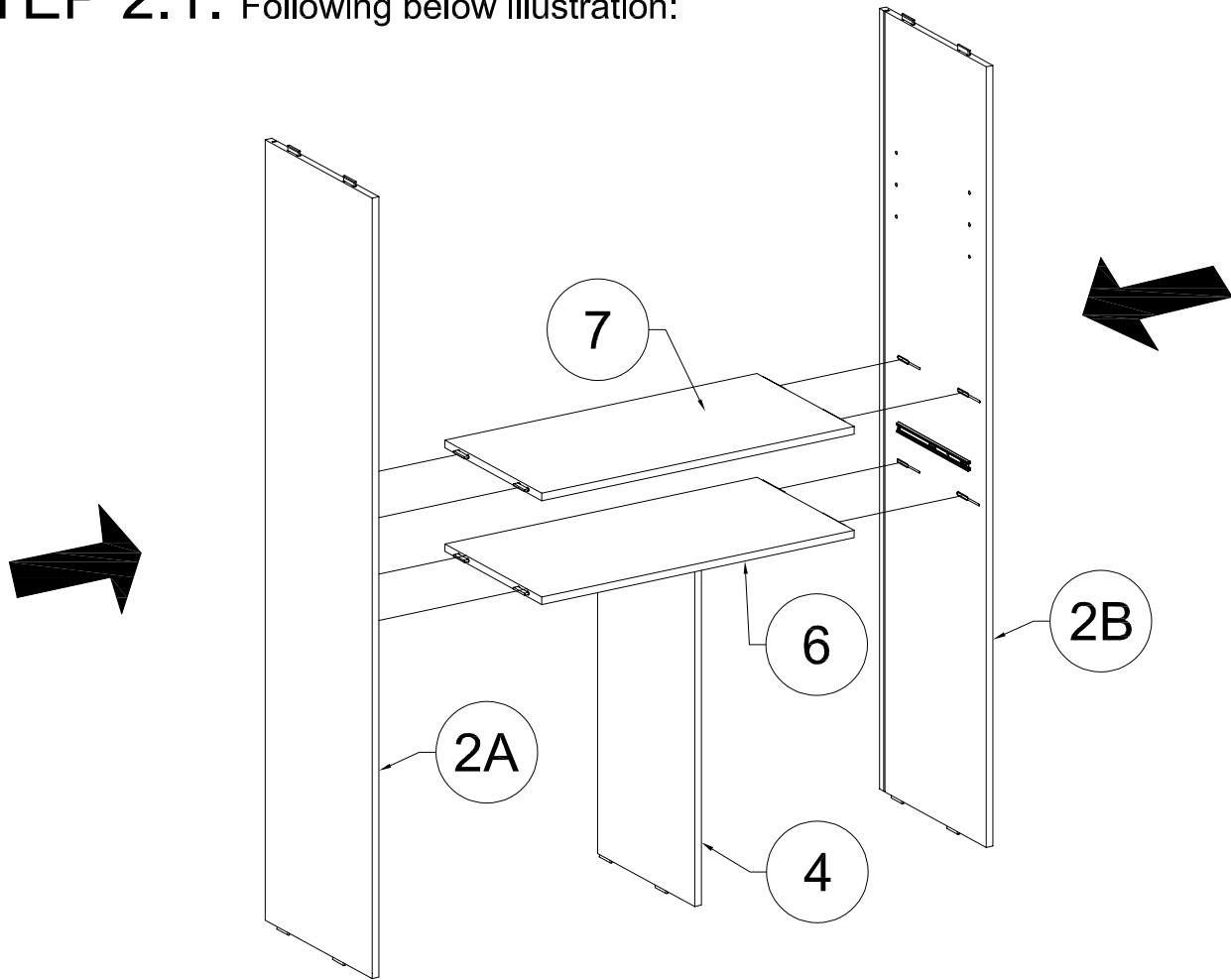


View From The Front



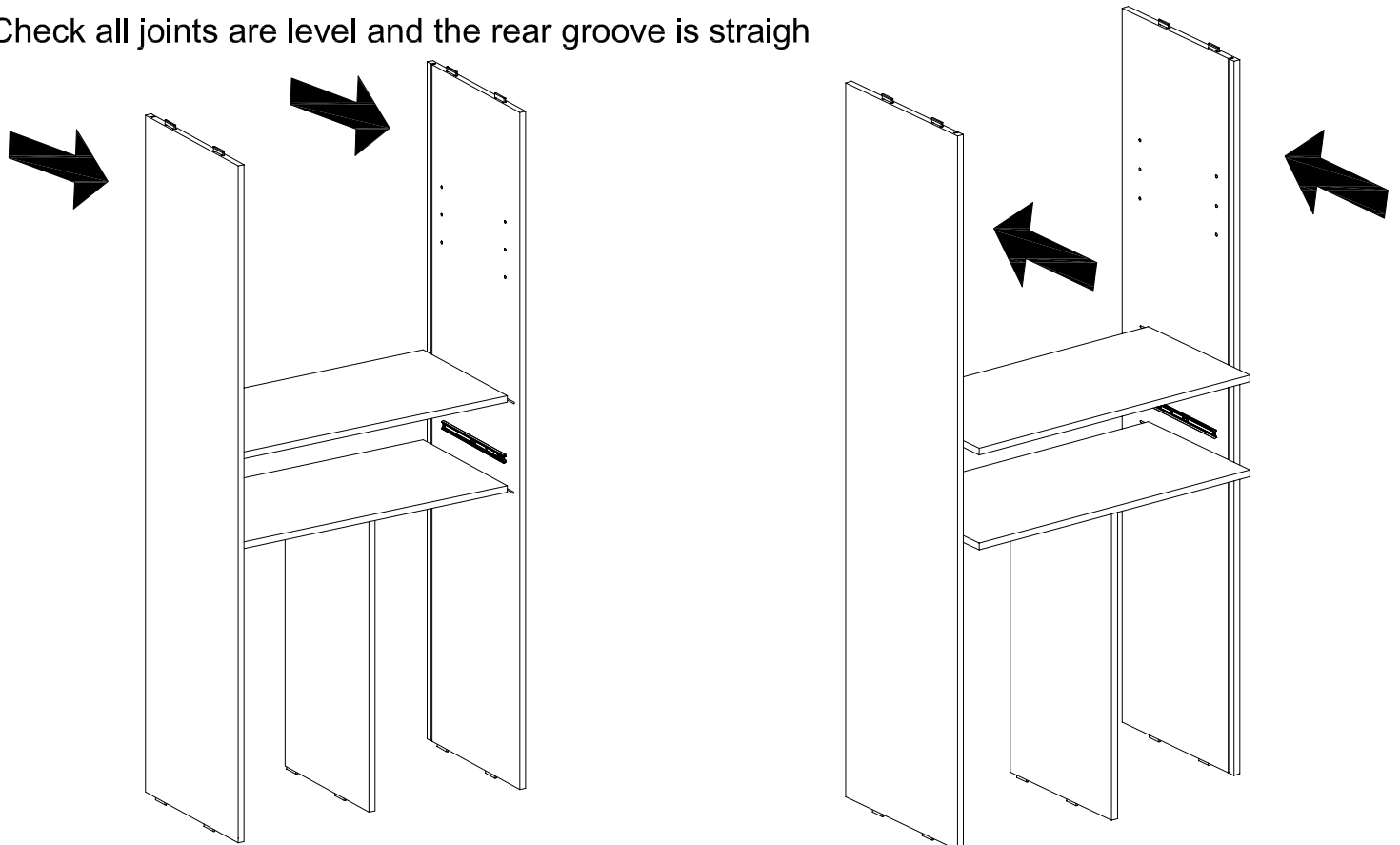
View From The Back

STEP 2.1: Following below illustration:



STEP 2.2: Following below illustration:

Check all joints are level and the rear groove is straight

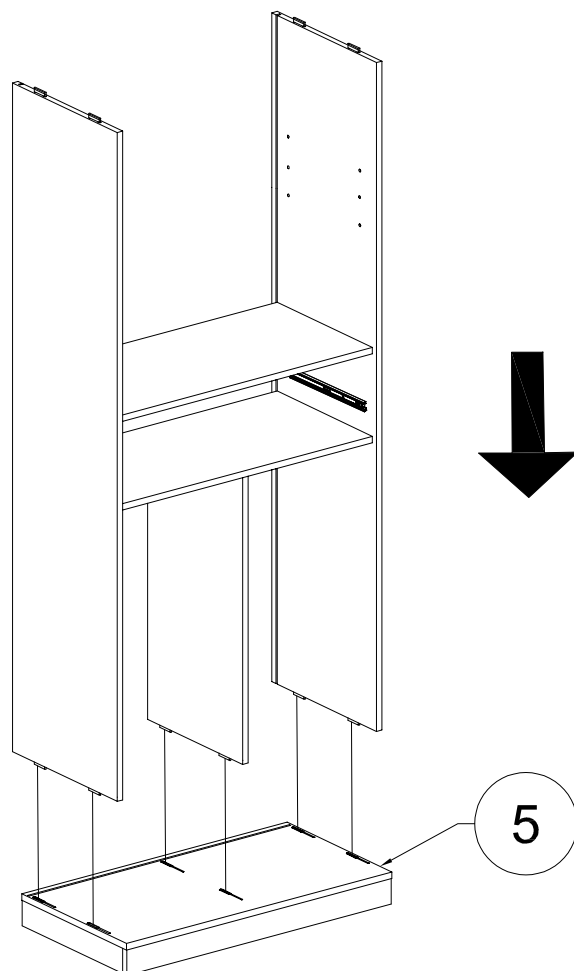


View From The Front

6

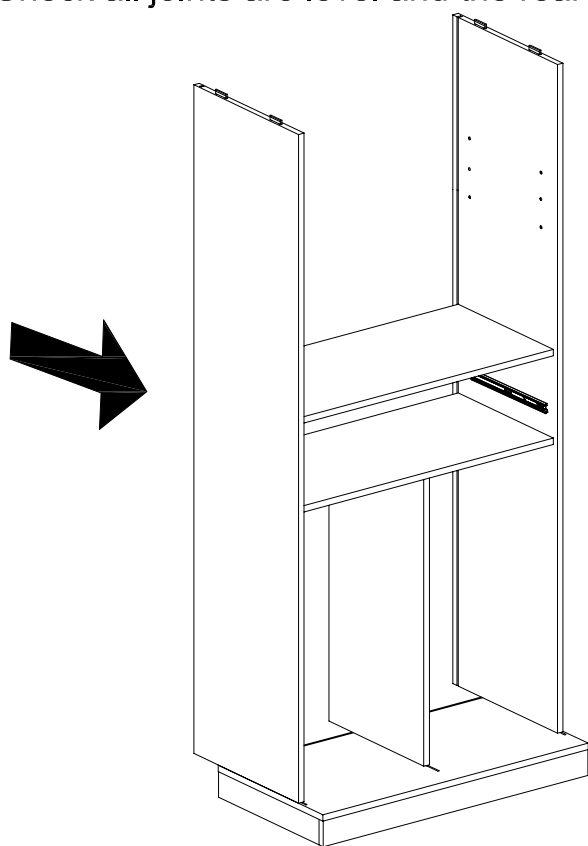
View From The Back

STEP 3.1: Following below illustration:

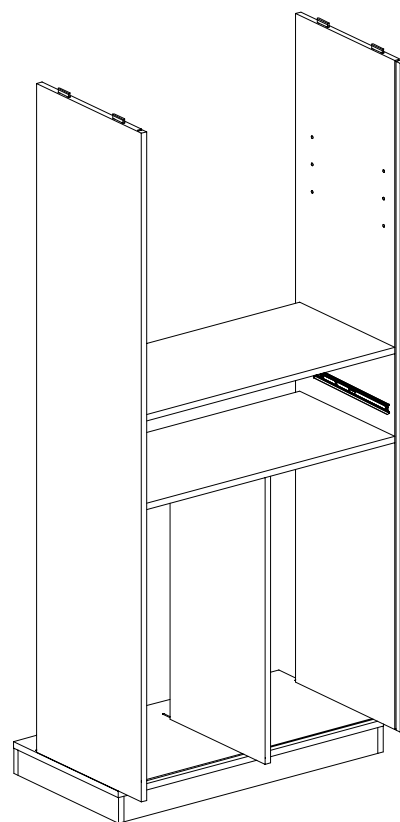


STEP 3.2: Following below illustration:

Check all joints are level and the rear groove is straight

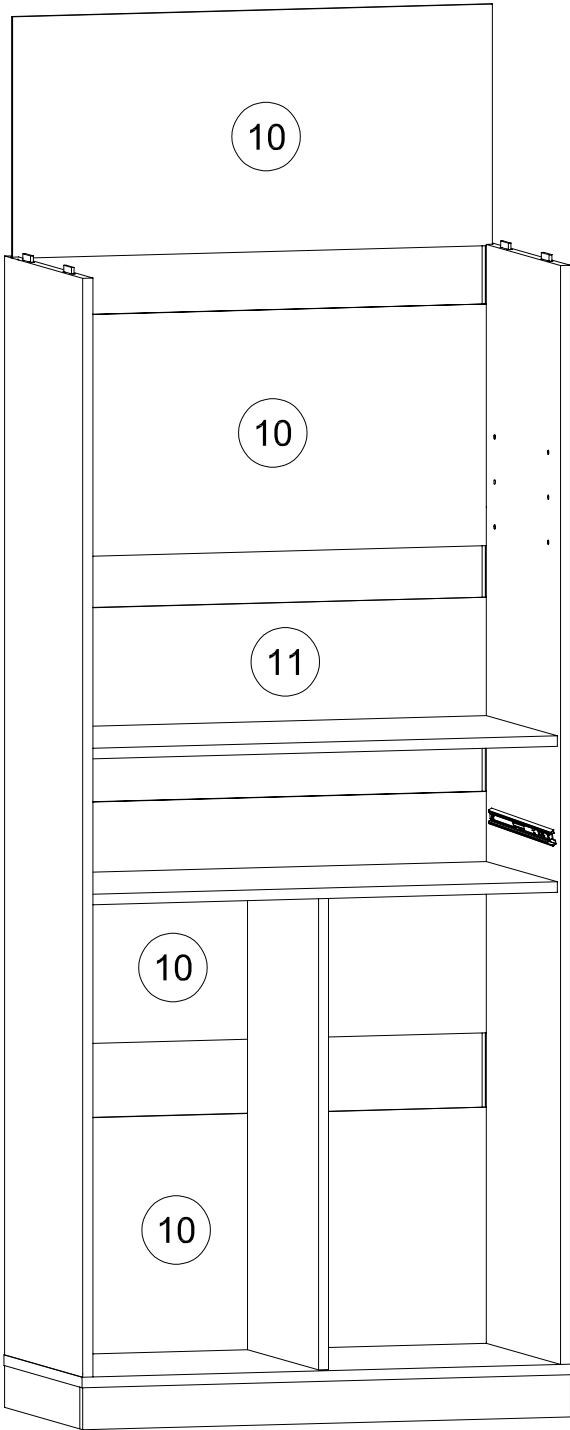


View From The Front

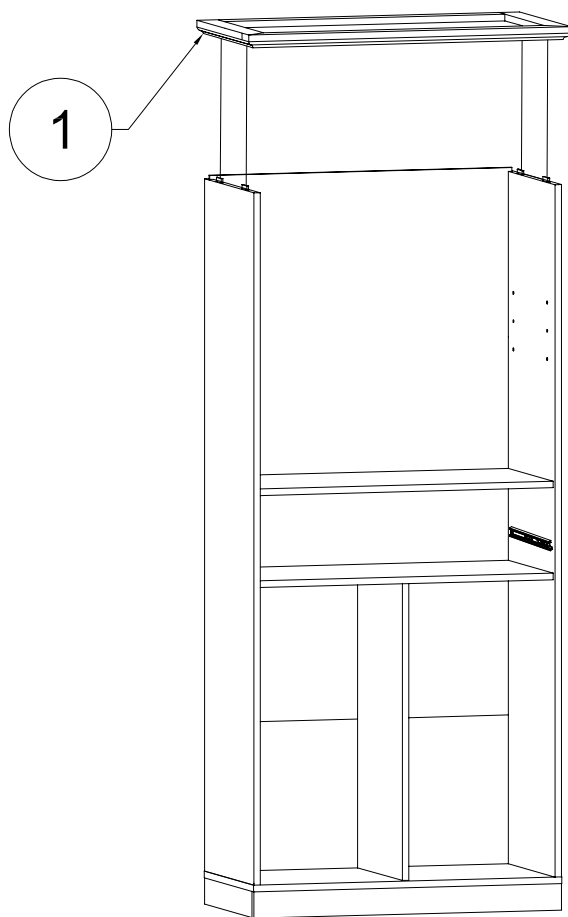


View From The Back

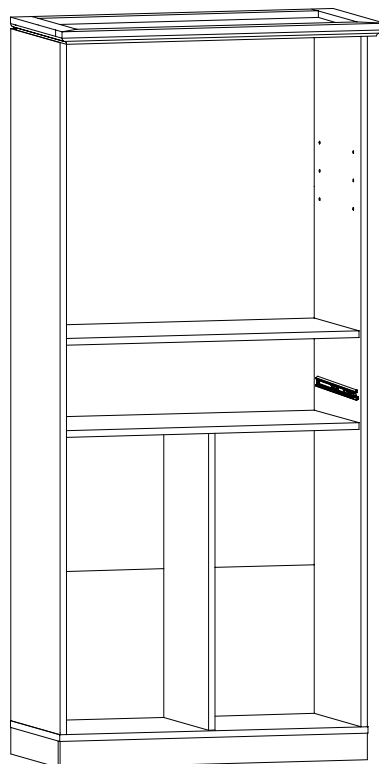
STEP 4: Following below illustration:





STEP 5.1: Following below illustration:

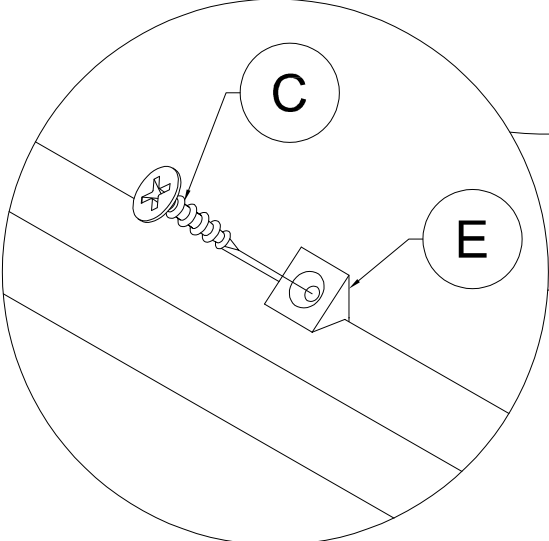
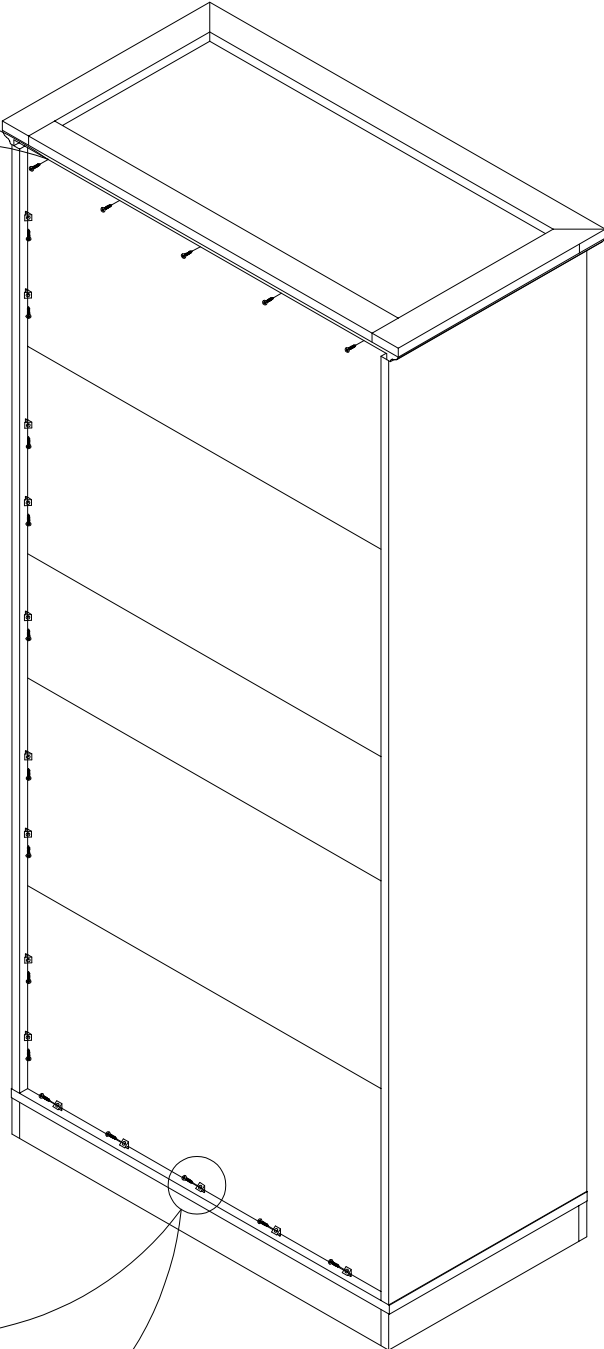
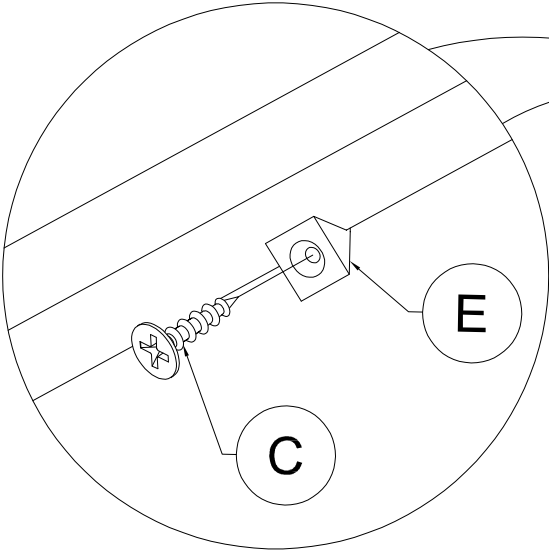


STEP 5.2: Following below illustration:

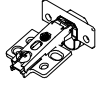



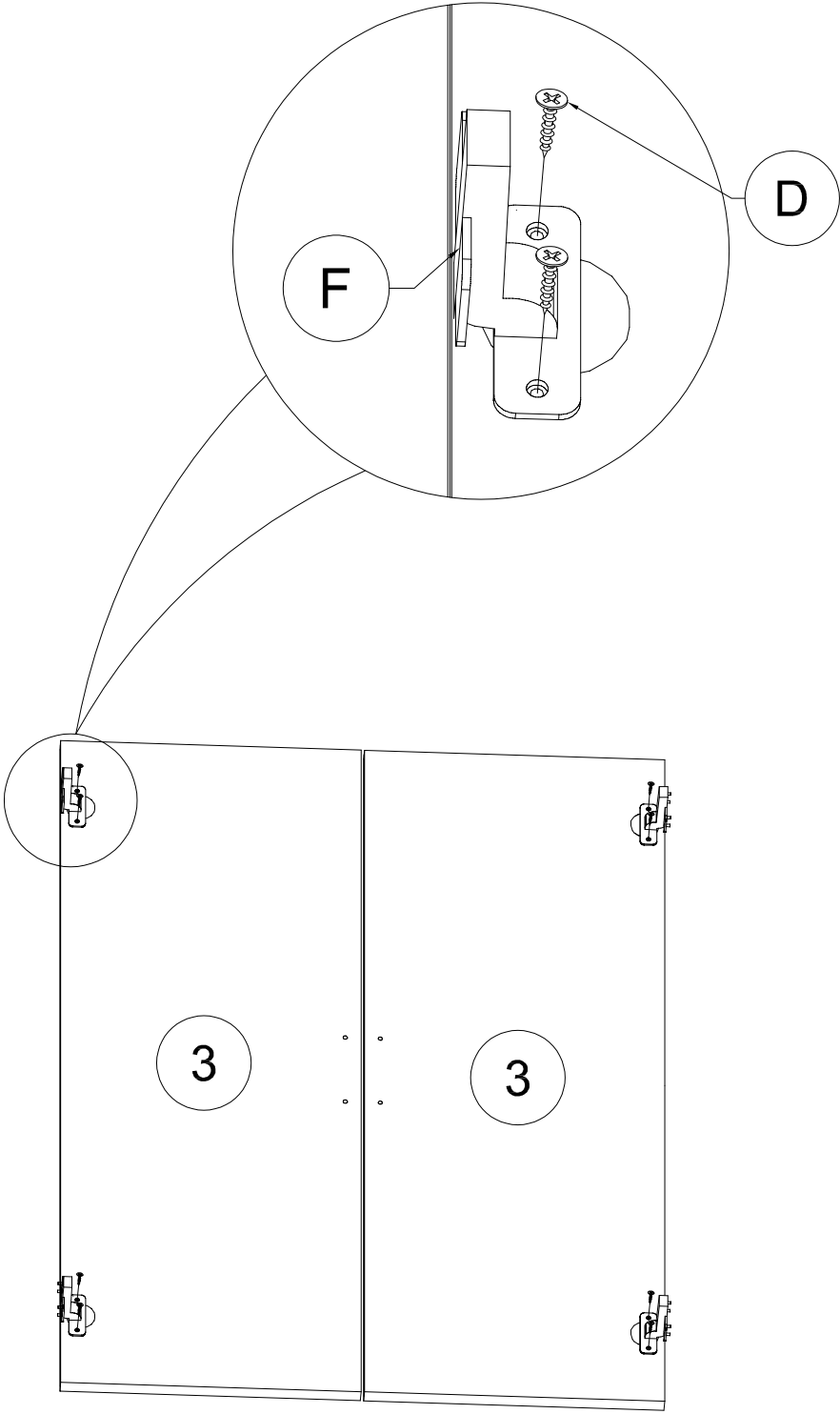
STEP 6: Following below illustration:

E	C
	
28pcs	28pcs

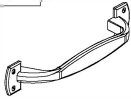




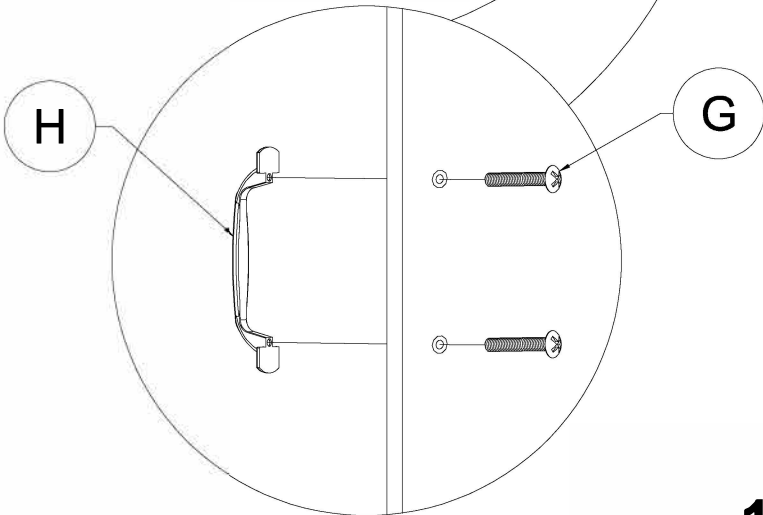
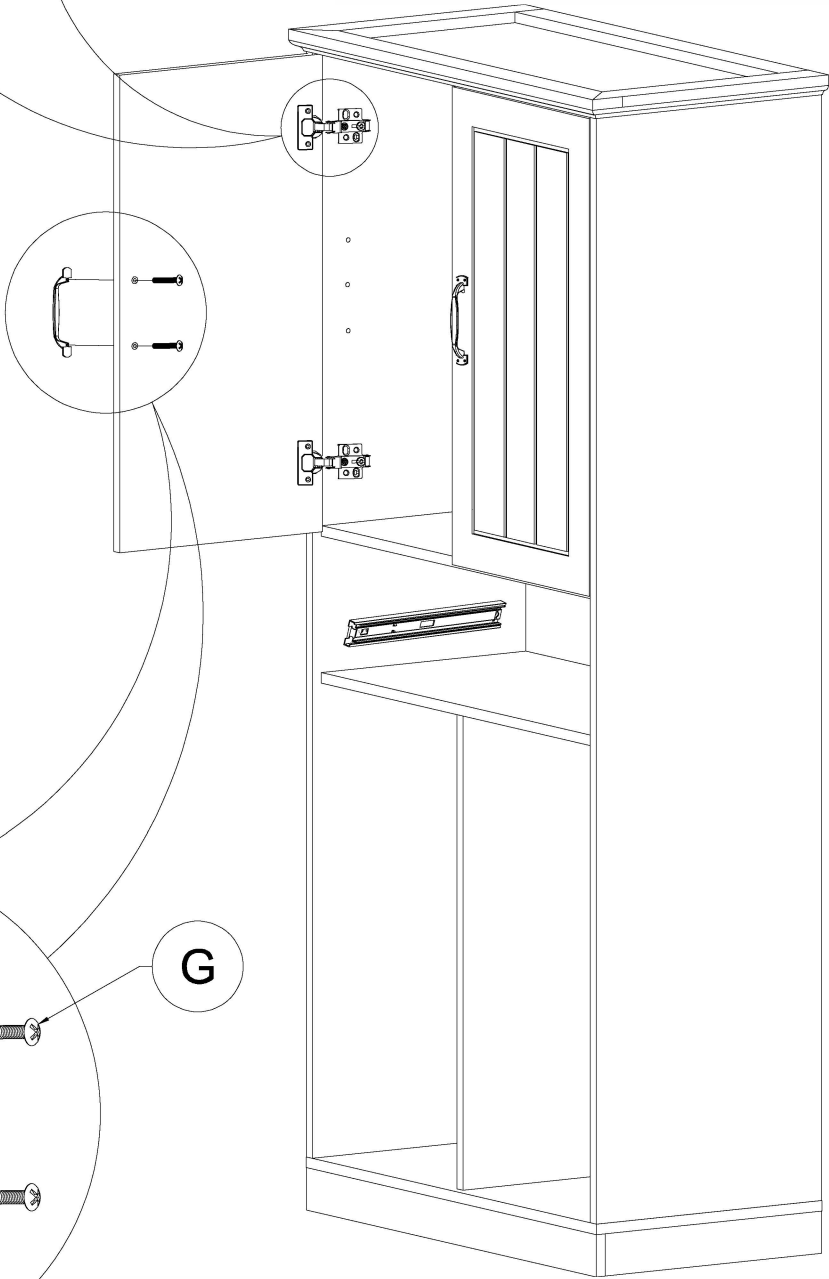
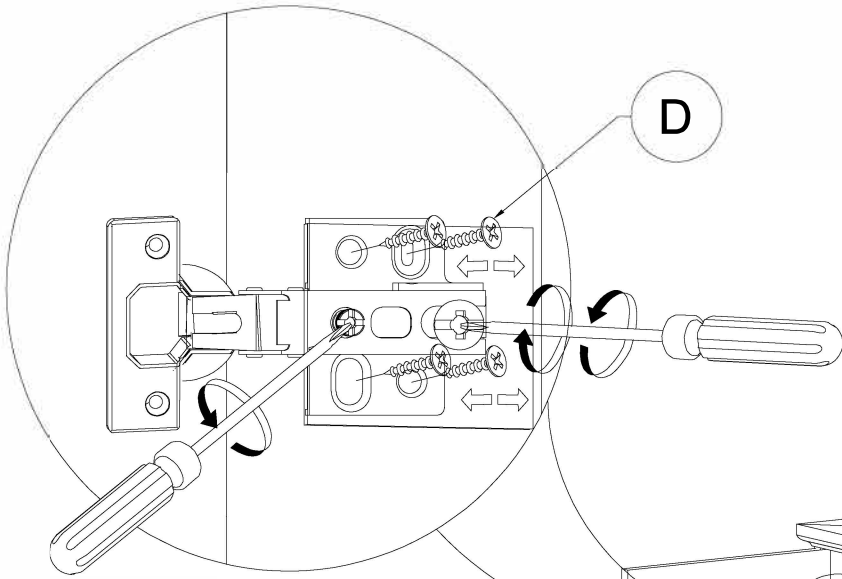
STEP 7: Following below illustration:

F	D
	
4pcs	8pcs


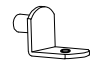


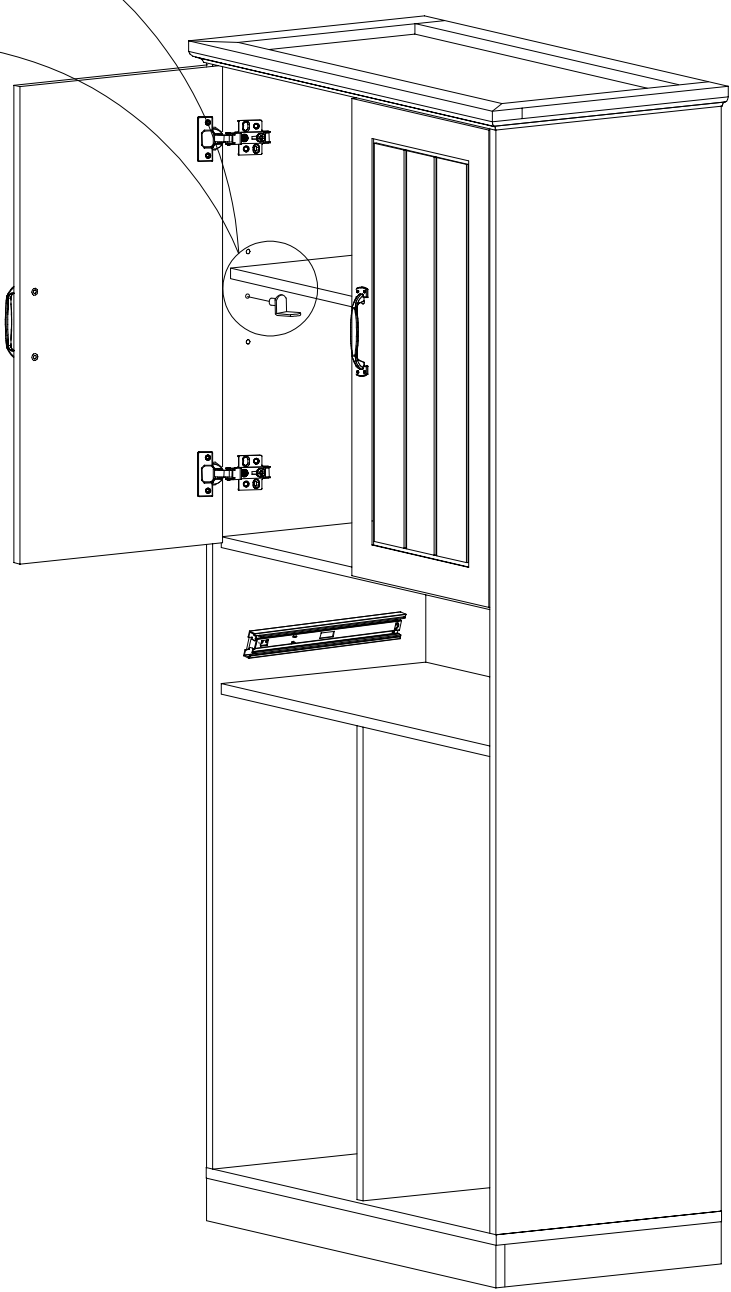
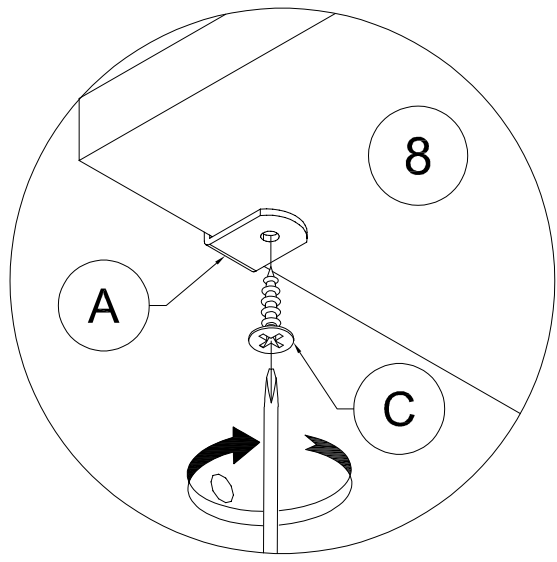
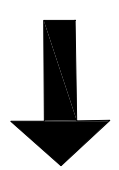
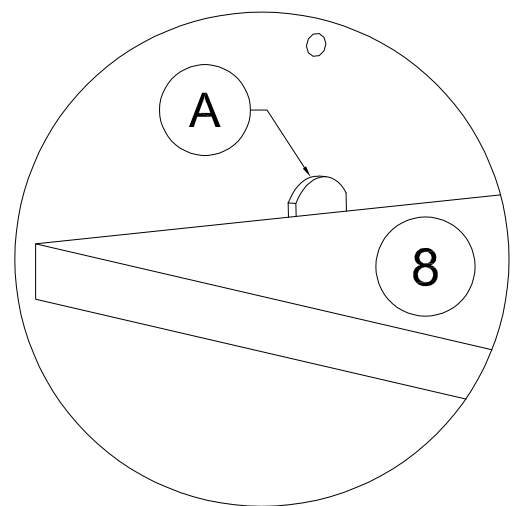
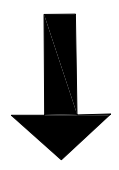
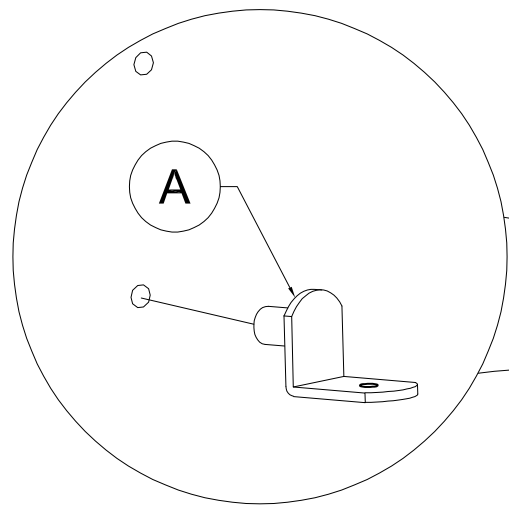
STEP 8: Following below illustration:

H	G	D
		
2pcs	4pcs	16pcs



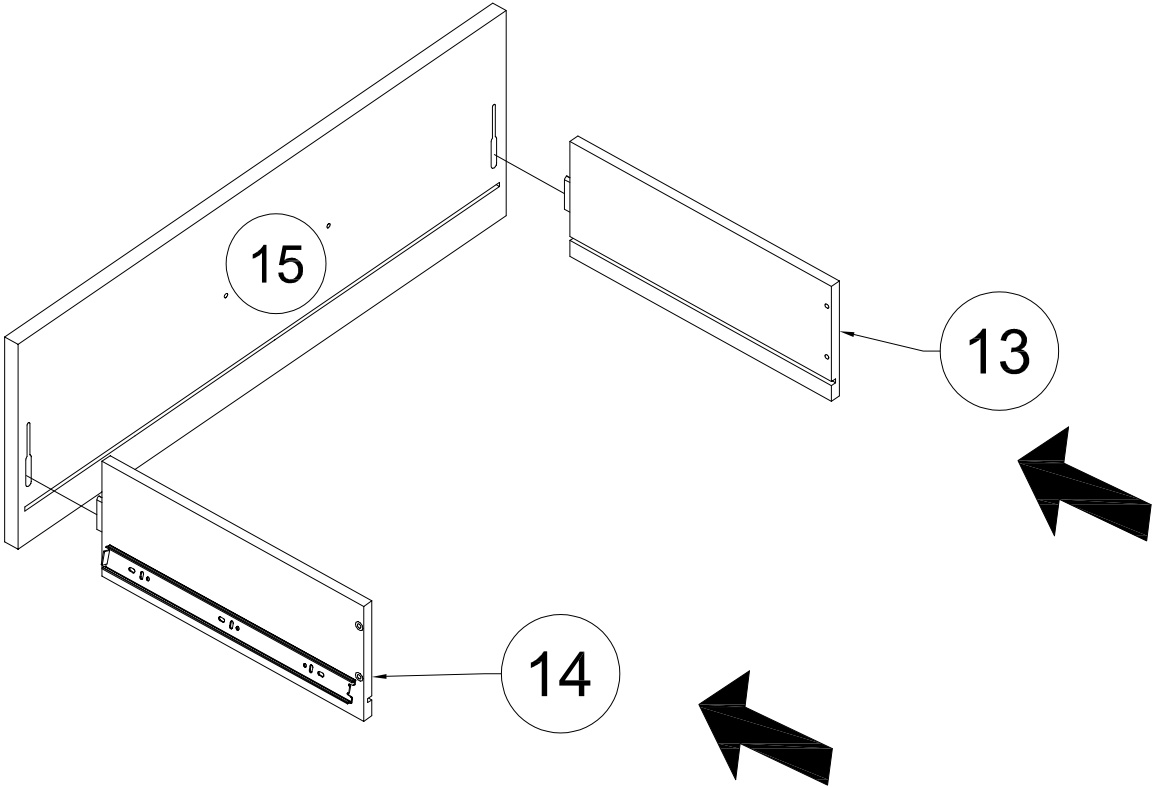
STEP 9: Following below illustration:

C 	A 
4pcs	4pcs

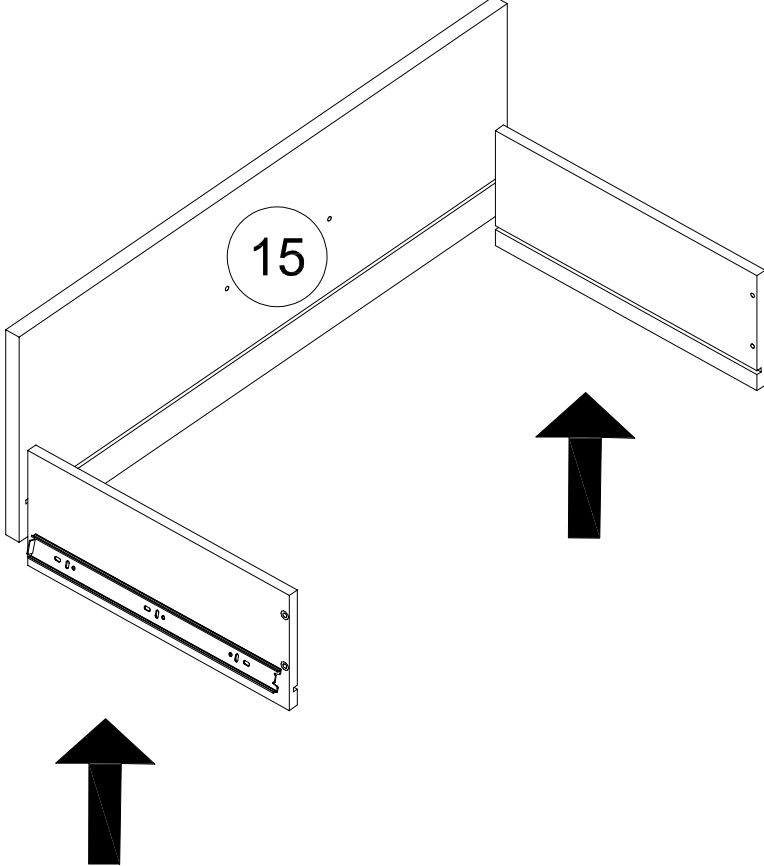


x4

STEP 10.1: Following below illustration:

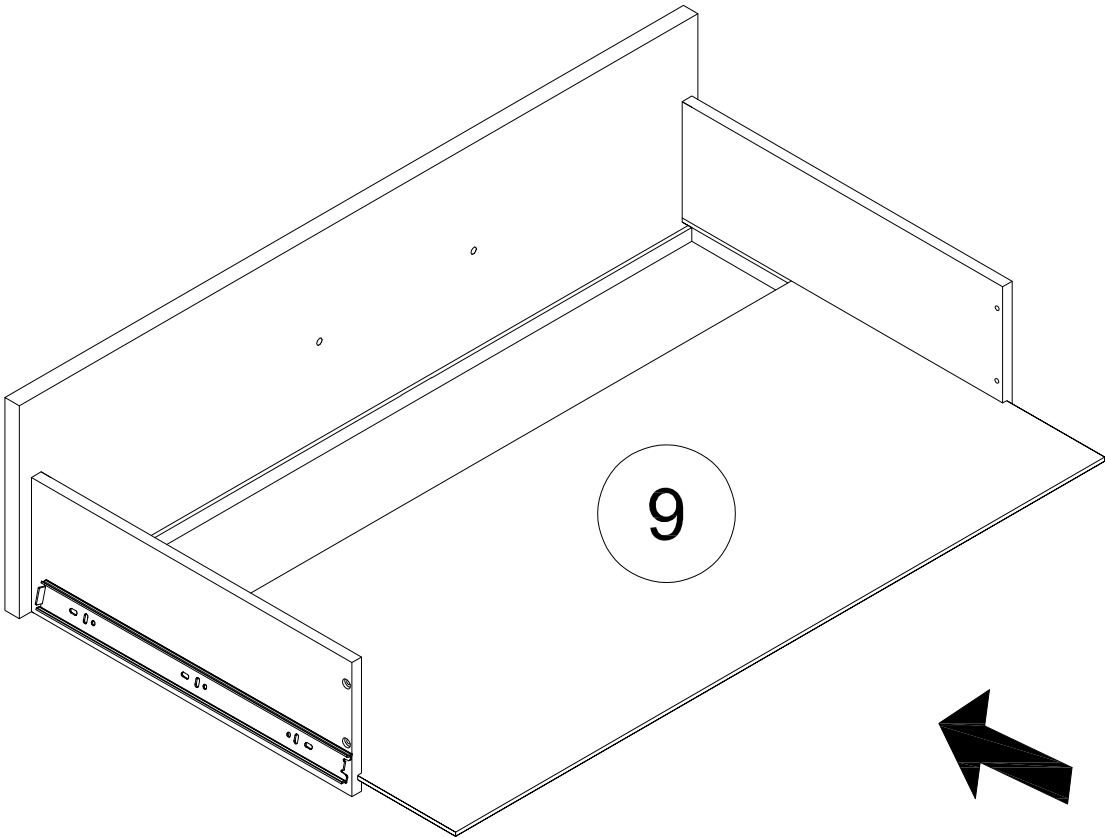


STEP 10.2: Following below illustration:


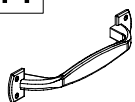
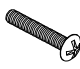


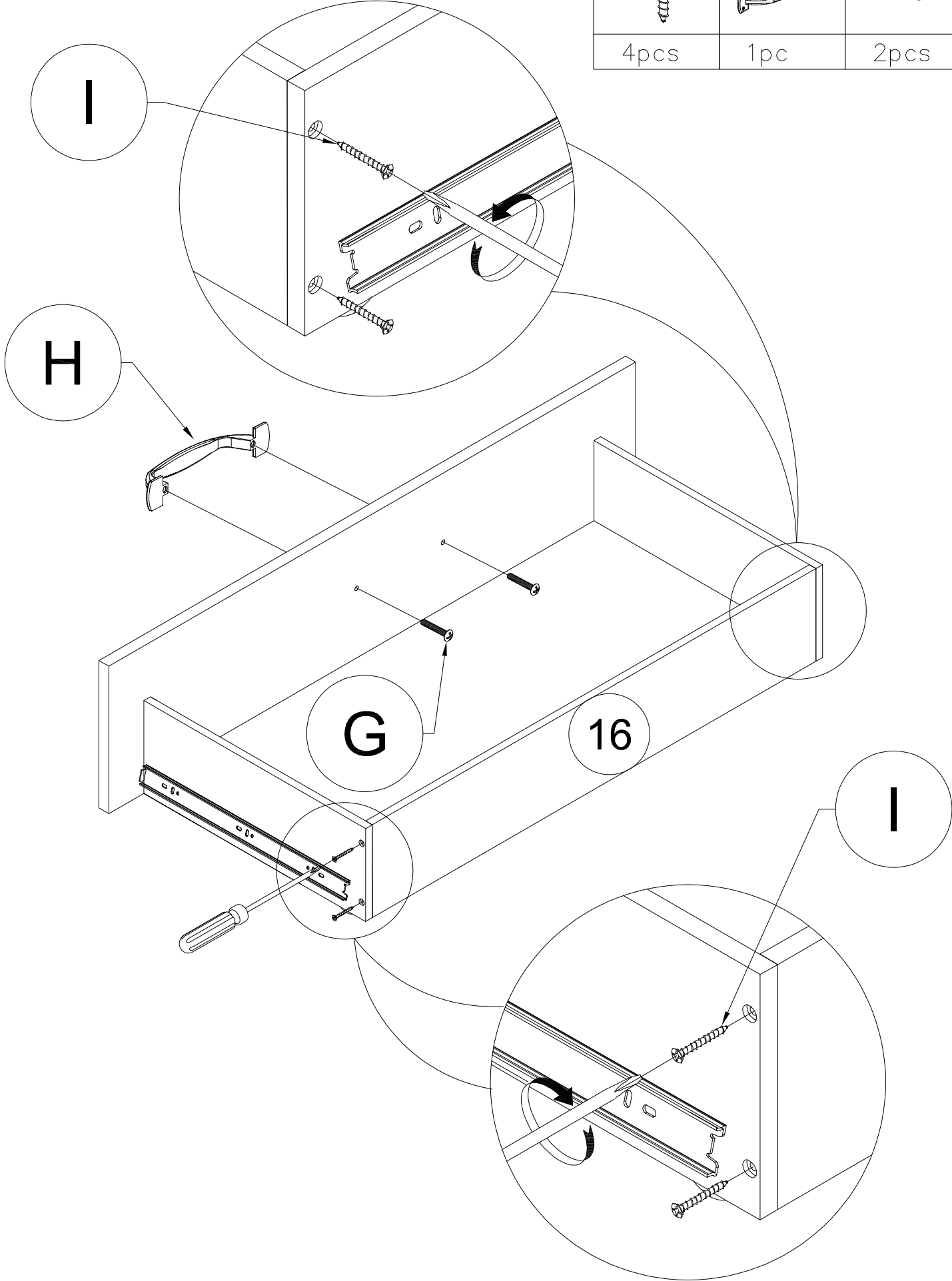
14

STEP 10.3: Following below illustration:

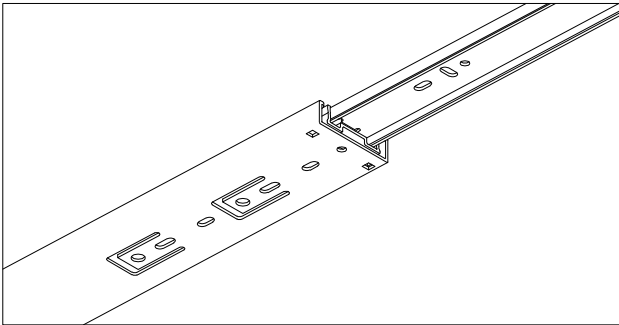
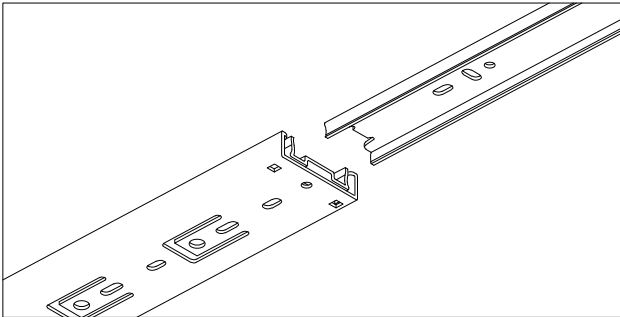
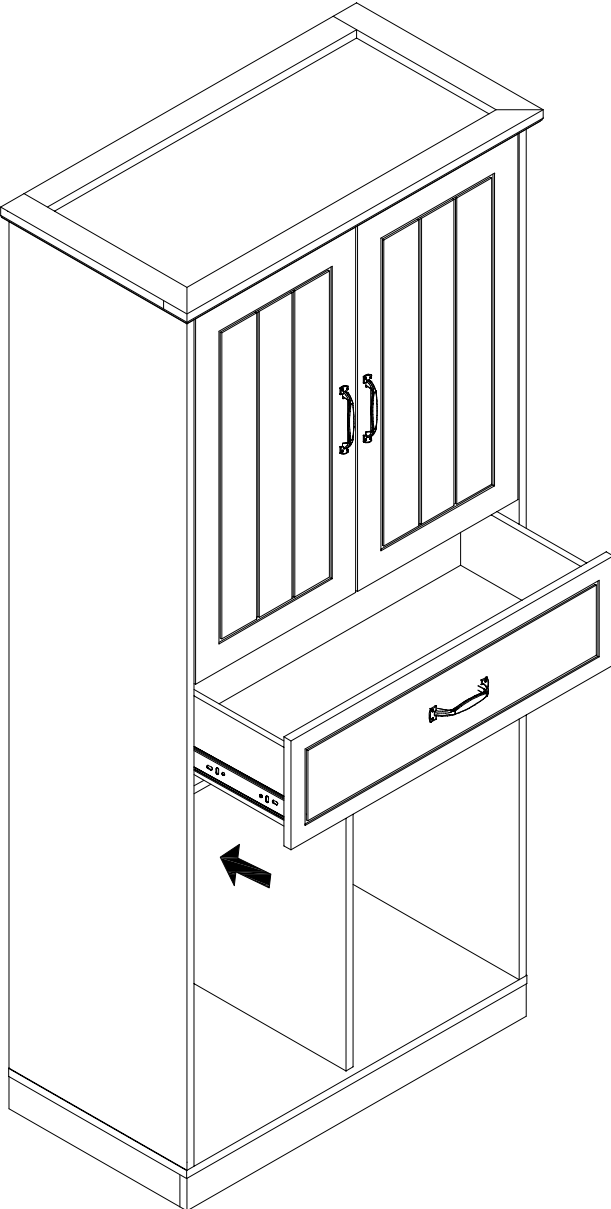


STEP 11: Following below illustration:


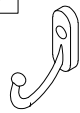
I		H		G	
4pcs		1pc		2pcs	

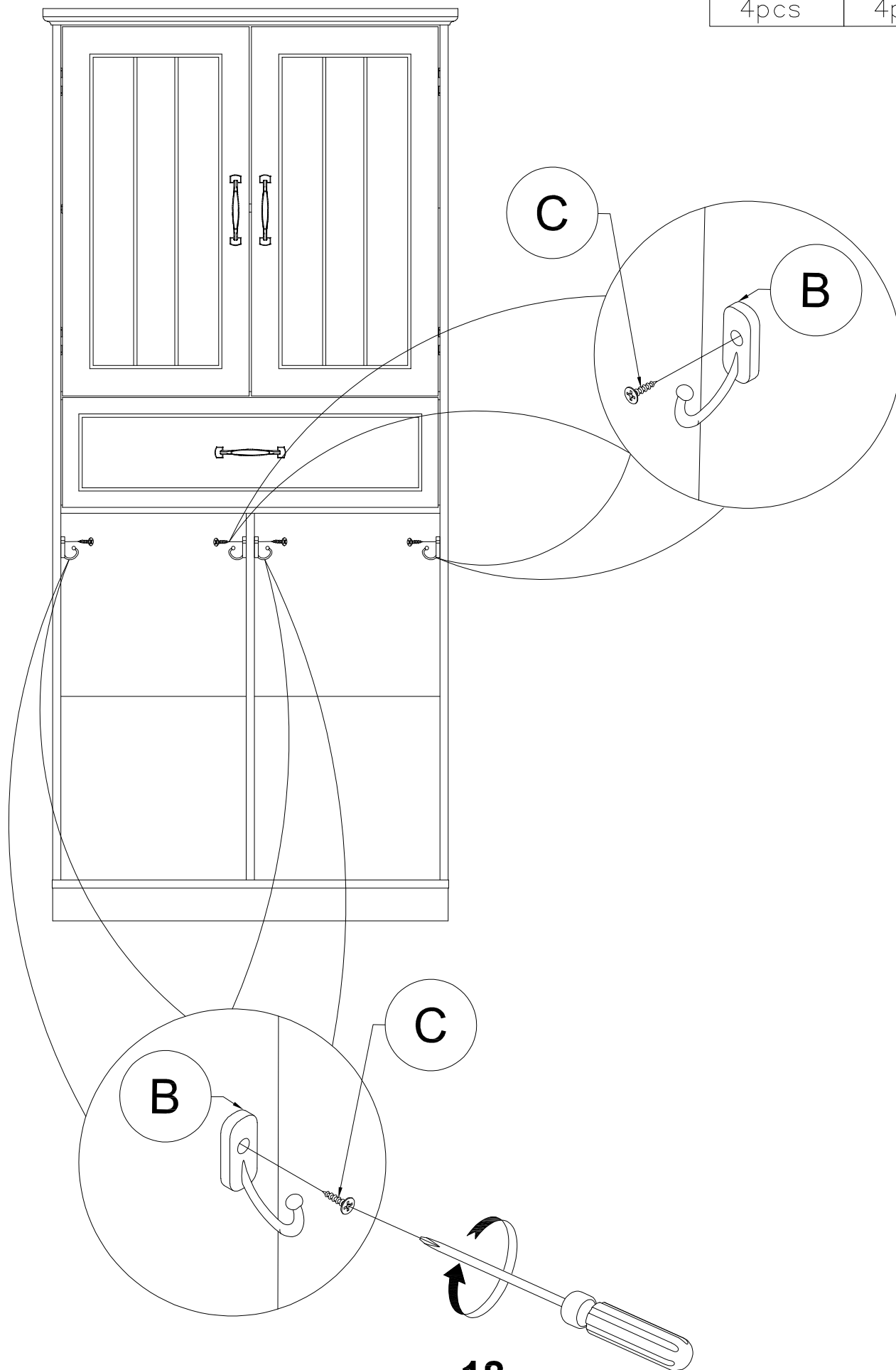


STEP 12: Following below illustration:

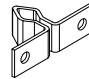
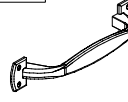
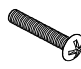



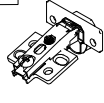


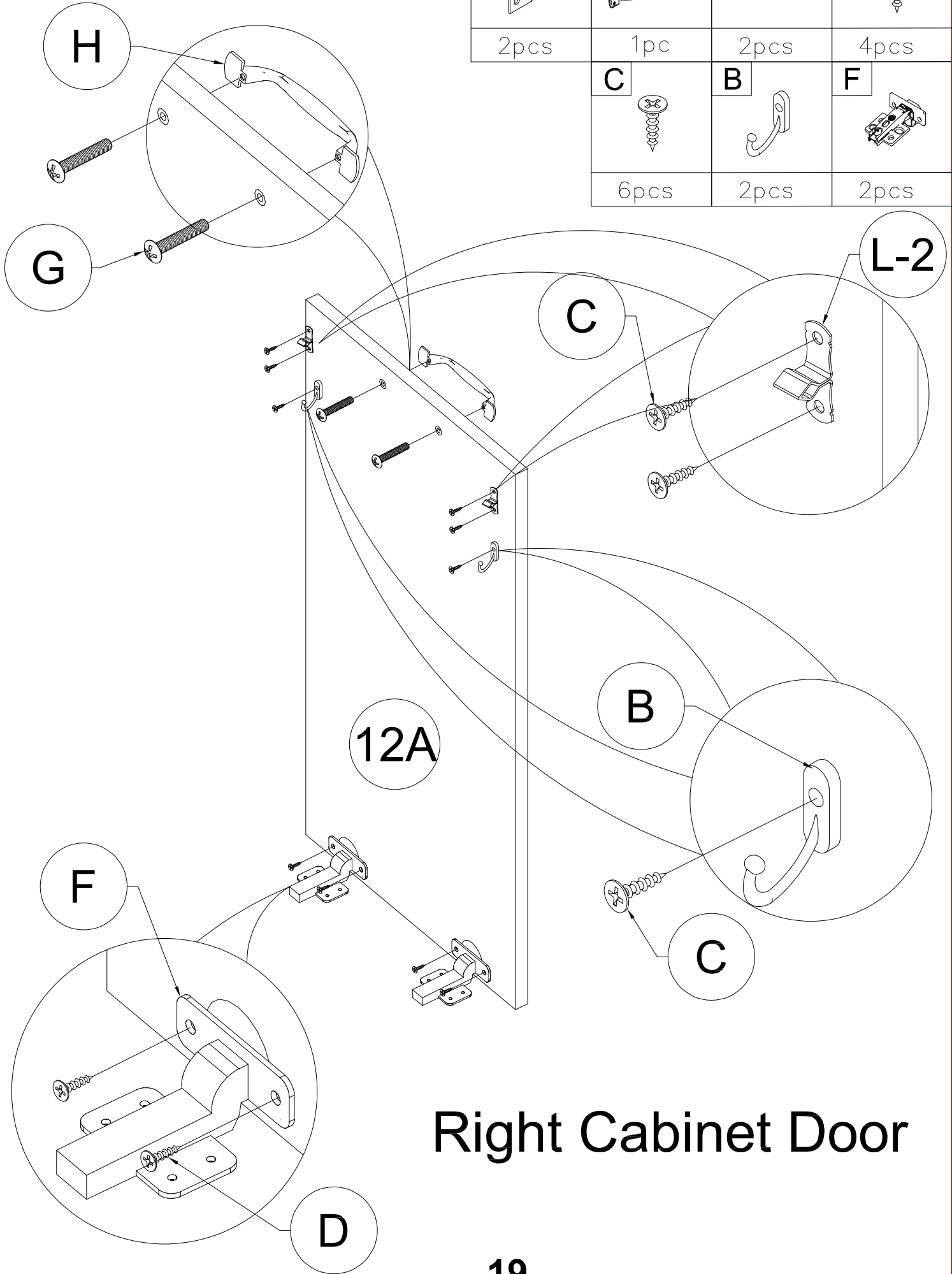
STEP 13: Following below illustration:

C		B	
4pcs		4pcs	



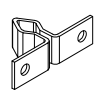
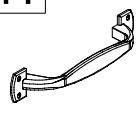
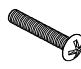



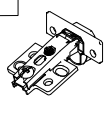
STEP 14: Following below illustration:

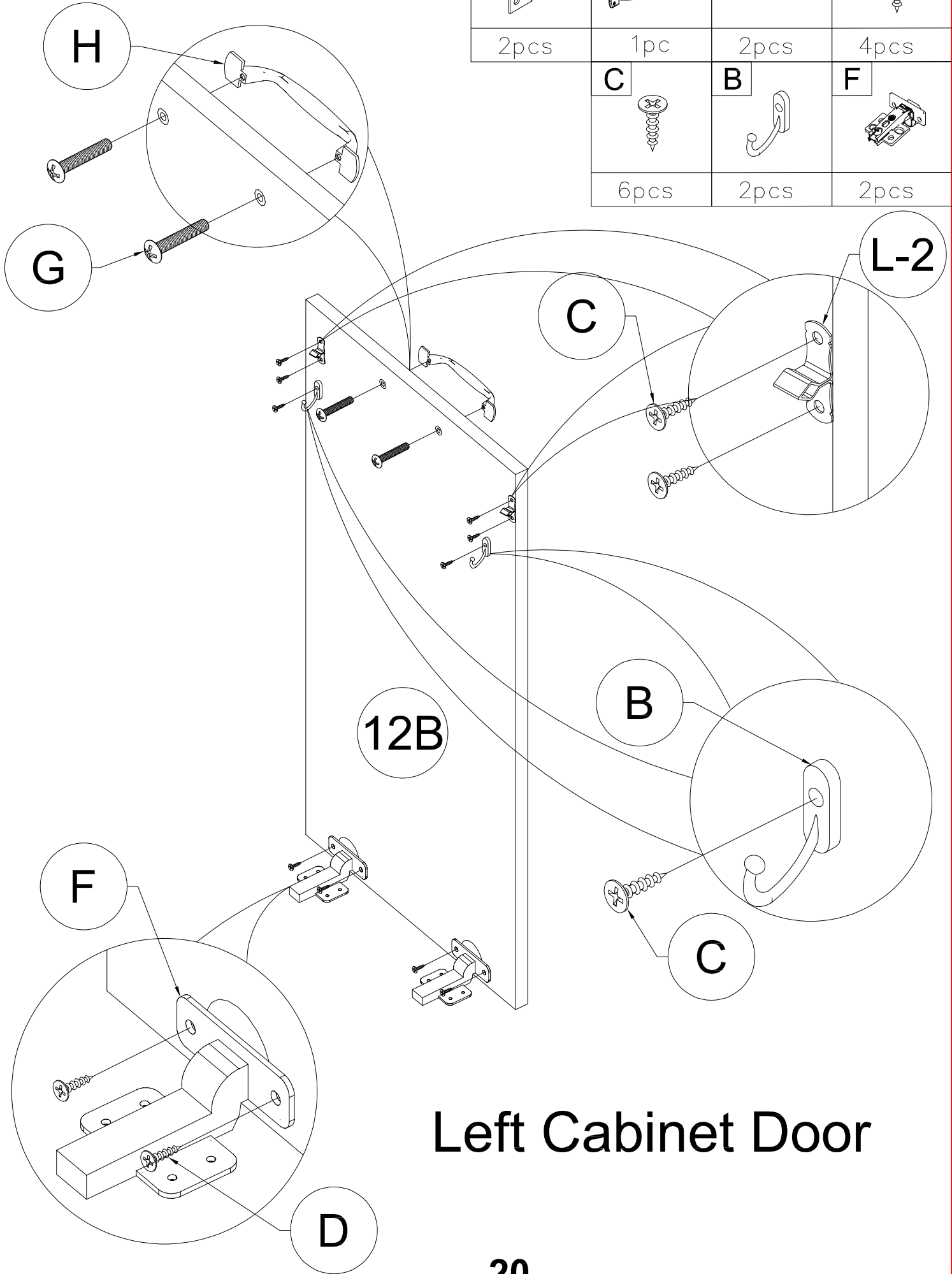
L-2  2pcs	H  1pc	G  2pcs	D  4pcs
C  6pcs	B  2pcs	F  2pcs	



Right Cabinet Door

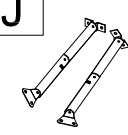

STEP 15: Following below illustration:

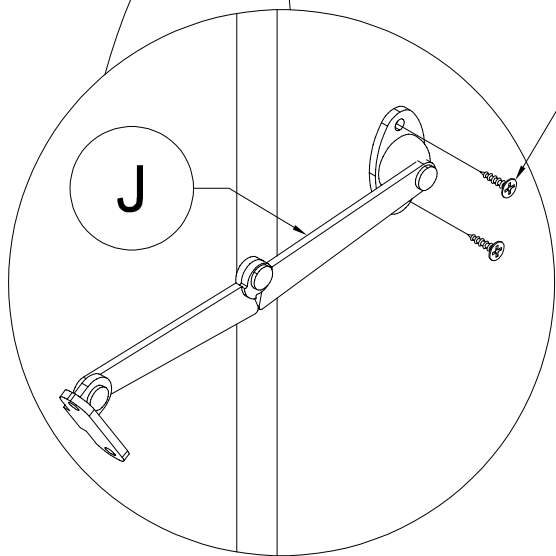
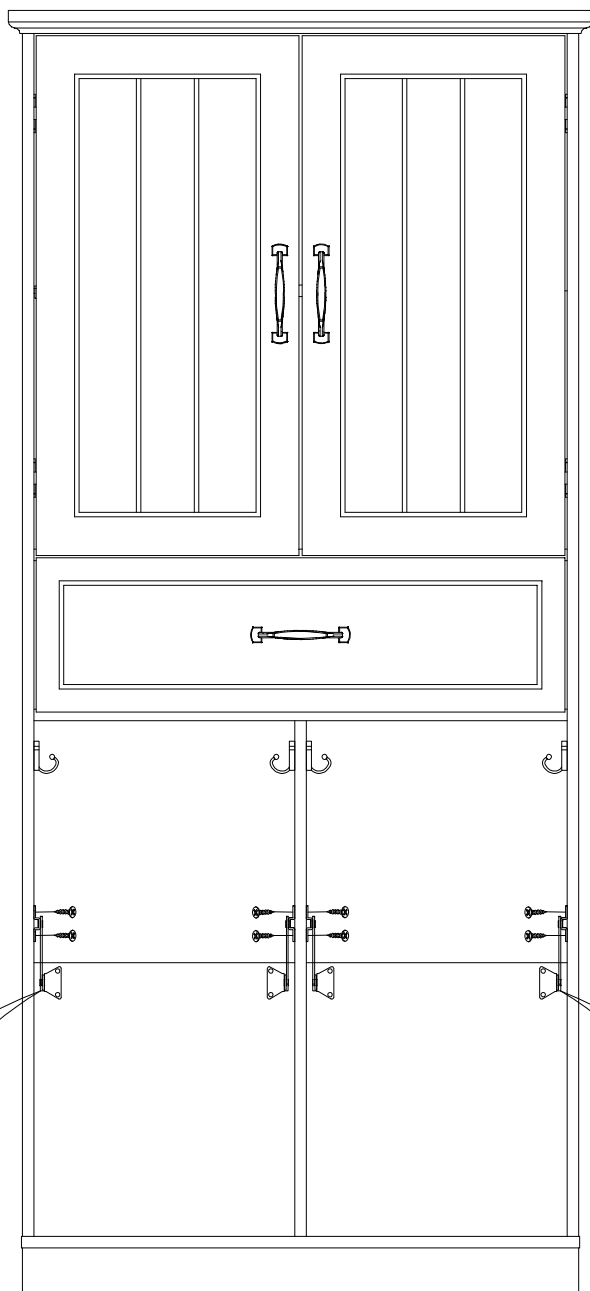
L-2  2pcs	H  1pc	G  2pcs	D  4pcs
C  6pcs	B  2pcs	F  2pcs	



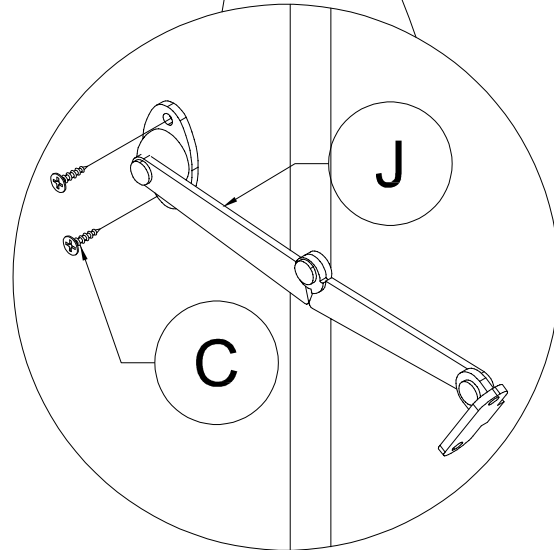
Left Cabinet Door

STEP 16: Following below illustration:

J 	C 
2set	8pcs



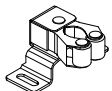

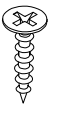
C

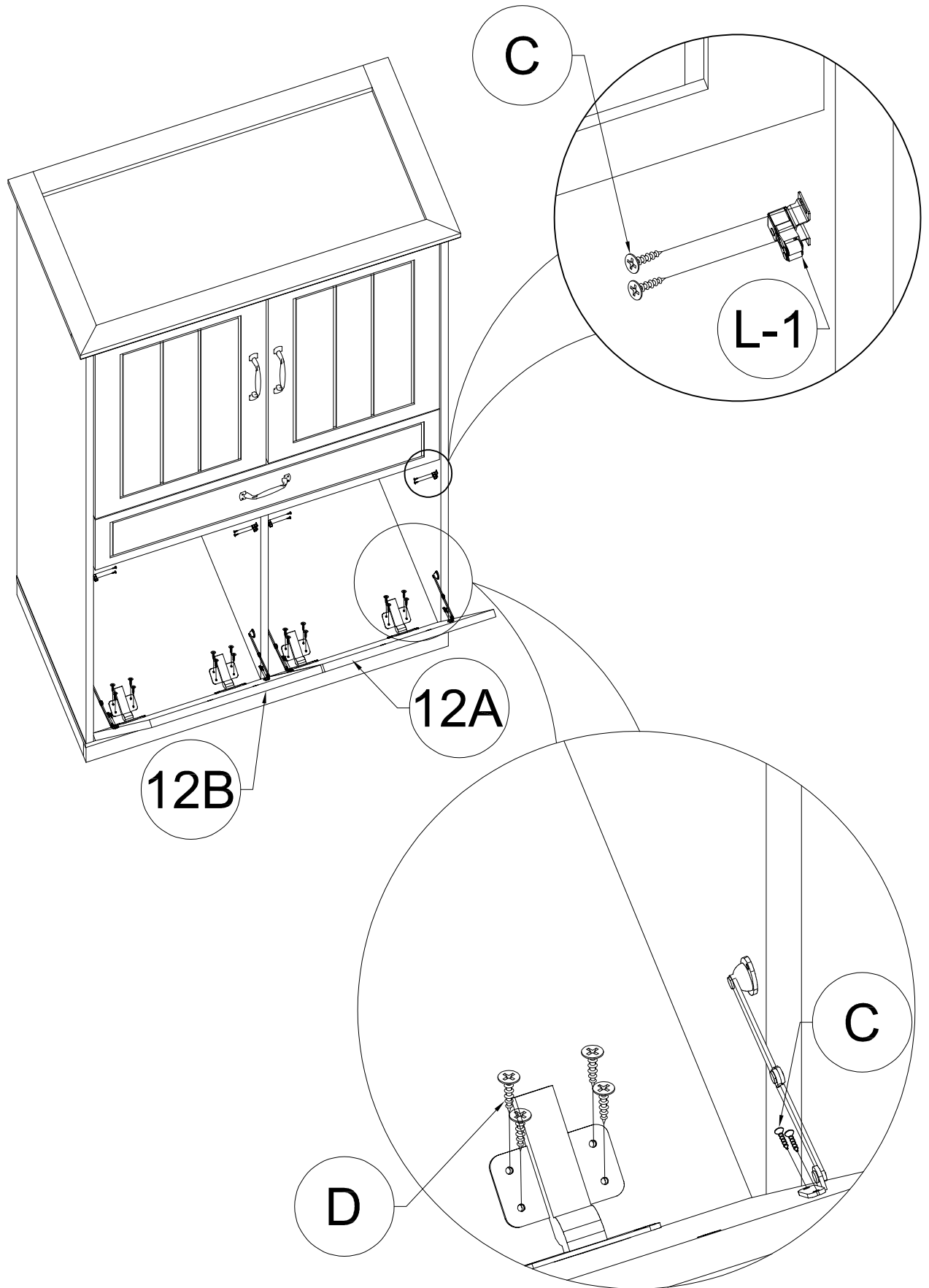


J

C

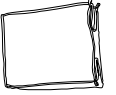
STEP 17: Following below illustration:

L-1 	C 	D 
4pcs	16pcs	16pcs

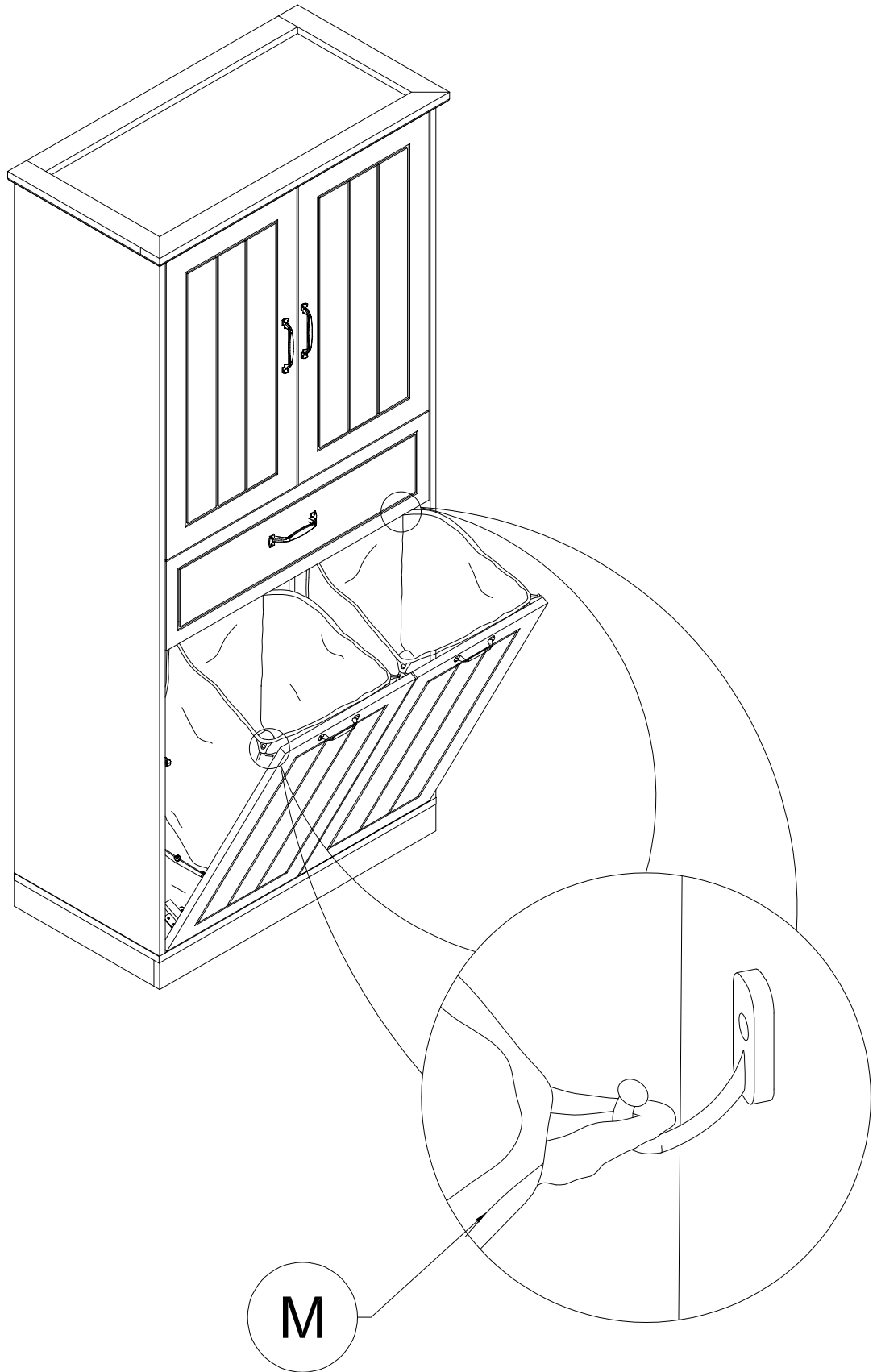


STEP 18: Following below illustration:




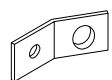
M

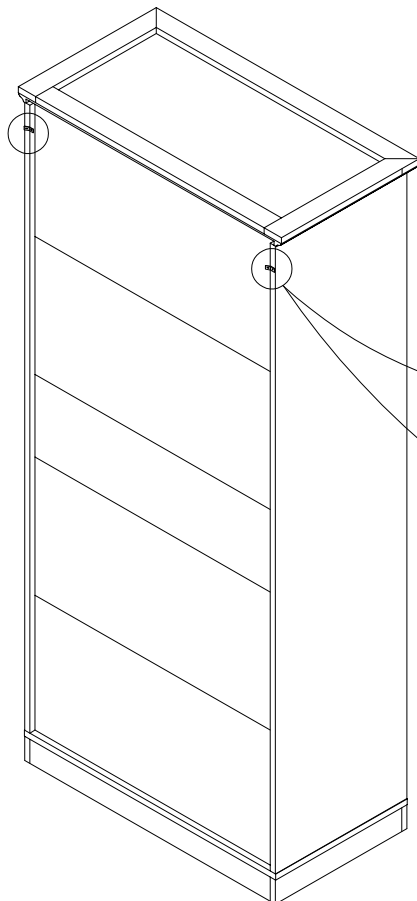
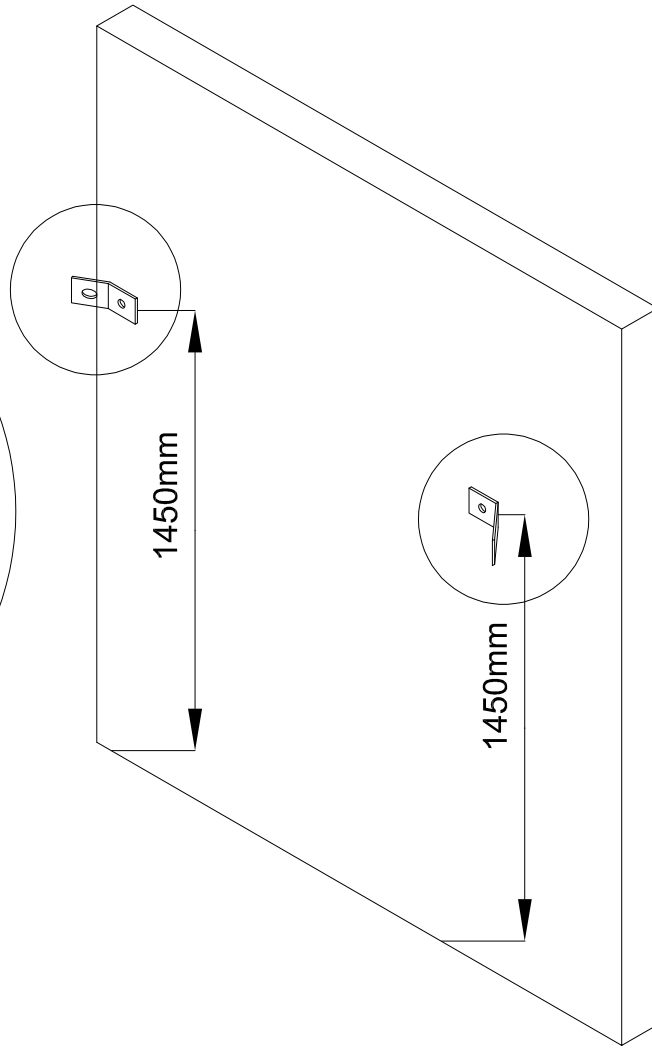
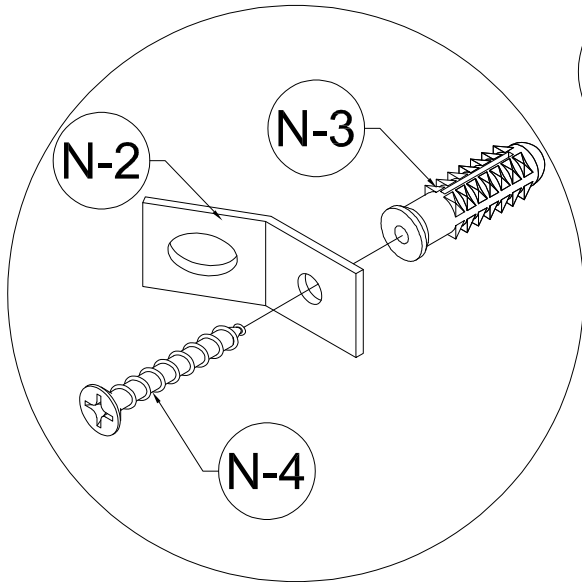


2pcs



STEP 19: Following below illustration:

N-5	N-4	N-3	N-2
			
2pcs	2pcs	2pcs	4pcs

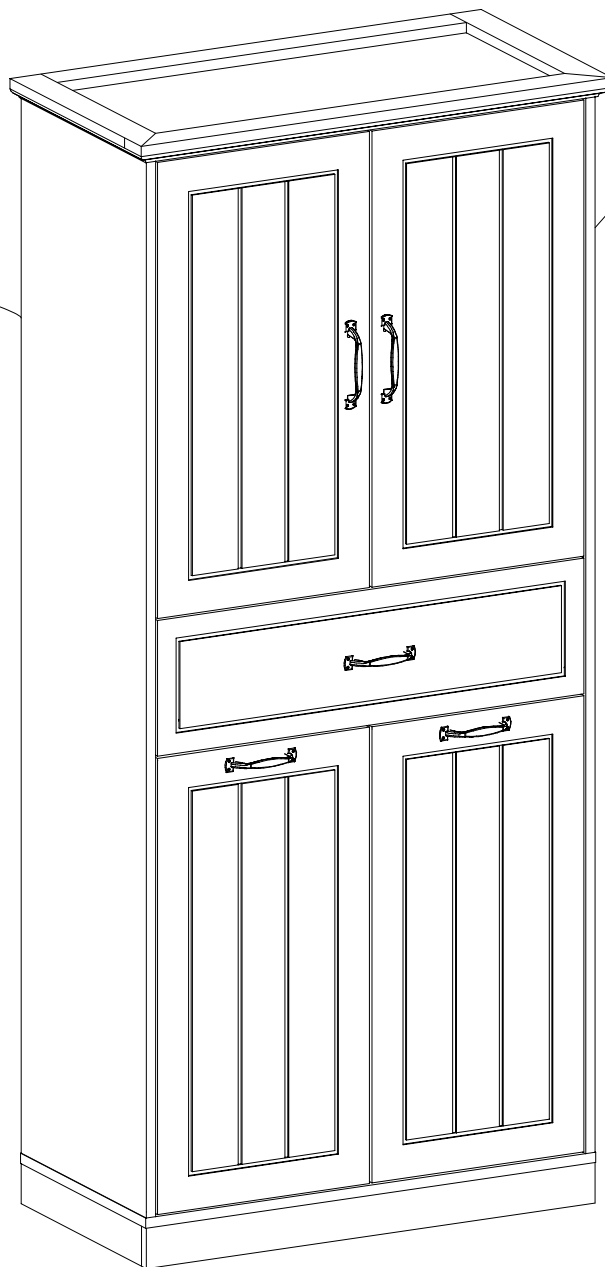
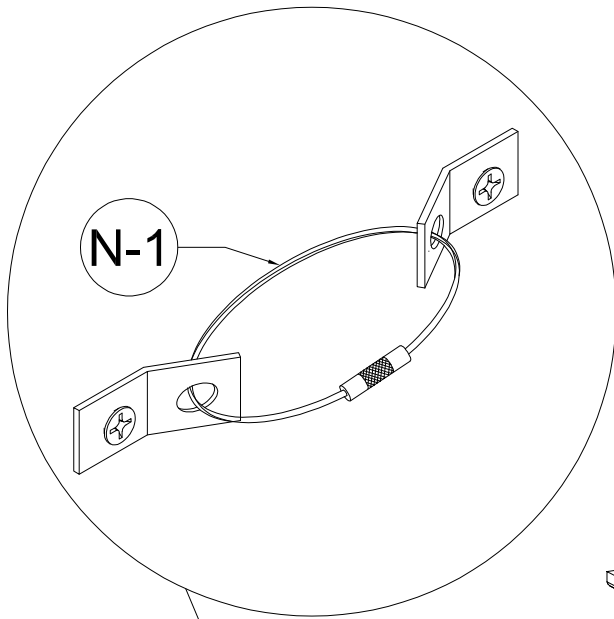


STEP 20: Following below illustration:

N-1



2pcs



FINISH

