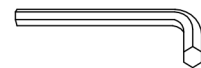


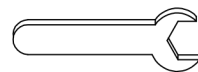
ASSEMBLY INSTRUCTIONS



TOOLS REQUIRED



Allen Wrench
(Included)



Wrench
(Included)



**2 - People
Recommended**

ASSEMBLY RATING



EASY —————> DIFFICULT

The Assembly Rating is a 5-point system showing the level of effort needed to assemble a specific product.



CHECK BEFORE STARTING



Are you missing anything?

Double-check all parts, hardware and accessories listed on Page 6 are accounted for.



Check out our Quick Tips!

We recommend reviewing the pre-assembly handouts. Even experts need a refresher now and then!



Prep Time!

Please review the assembly instructions and all diagrams prior to assembling. Arrange parts as recommended on Page 7 and group identical hardware together to make assembling easier.

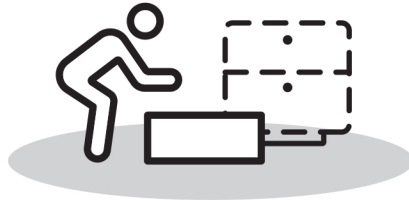
PRE ASSEMBLY INTRODUCTION

We understand building ready-to-assemble furniture can be a challenging experience for some. To help avoid confusion, we have provided some helpful tips that may speed up the process.



Teamwork

ALWAYS have at least two people to help with transporting and assembling the product to avoid potential injury and/or damage.



Suitable Location

Assembling near the area of the intended location is highly recommended.



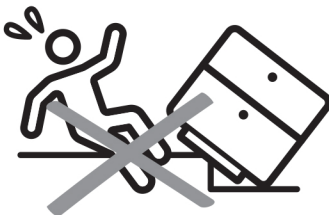
Sufficient Space

Make sure you have enough space to move around during the assembly.



Avoid Scratches

Use cardboard, blankets or a carpeted area while assembling furniture to prevent scratches.



Flat Surface

Make sure the furniture rests on a flat and level surface with each leg evenly touching the floor.

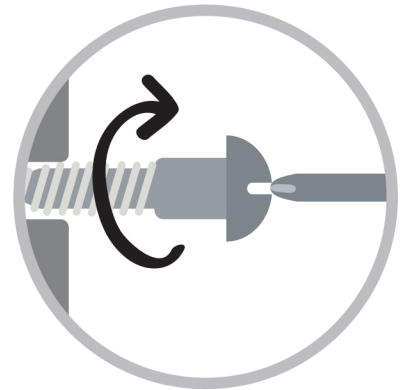
ASSEMBLY AND CARE ADVICE



FAILURE TO FOLLOW THE GUIDELINES BELOW MAY RESULT IN INJURY AND/OR PROPERTY DAMAGE.



Position each part correctly and insert screws or bolts into their respective holes.



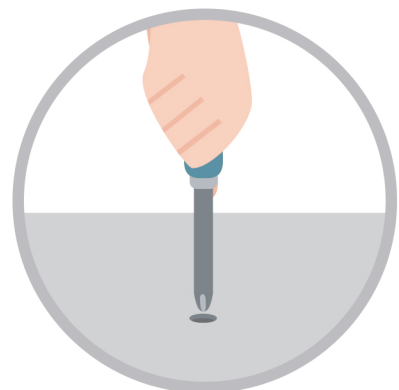
Turn clockwise to tighten and only tighten when step is completed or when instructed to do so.



Use the appropriate hand tools or power tools for assembly. Select steps, such as tightening screws and/or bolts, may require hand tools to avoid causing damage during assembly.



Save the instructions and store any supplied tools for later maintenance.



After two weeks, check and tighten any loose hardware and repeat again every six months thereafter.

IT IS THE USER'S RESPONSIBILITY TO MAINTAIN THE FURNITURE. THE HARDWARE MAY LOOSEN OVER TIME AND MAY CAUSE THE FURNITURE TO BE WOBBLY AND UNABLE TO SUPPORT ITS INTENDED WEIGHT CAPACITY. THIS MAY LEAD TO COLLAPSE AND MAY CAUSE SERIOUS INJURY.

DINING TABLE



• Please keep instructions for future reference.
 • Check the quantity and irregularity of parts and hardware before you start.



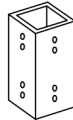
PARTS

#1 1pc



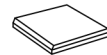
TABLE TOP WITH APRON

#2 1pc



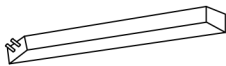
PEDESTAL

#3 1pc



PEDESTAL COVER

#4 4pcs



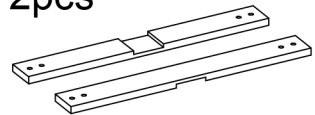
UPPER LEG

#5 4pcs



LOWER LEG

#6 2pcs



MOUNTING PLATE

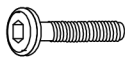
HARDWARE

#A 4pcs



JCBC BOLT
M6 x 35mm

#B 4pcs



JCBC BOLT
M6 x 40mm

#C 8pcs



M10 HEX NUT

#D 8pcs



M10 SPRING WASHER

#E 8pcs



M10 FLAT WASHER

#F 8pcs



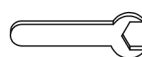
M6 SPRING WASHER

#G 8pcs



M6 FLAT WASHER

#H 1pc


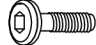
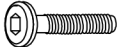









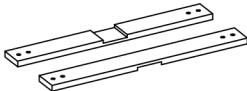




WRENCH 105MM L

#I 1pc



ALLEN WRENCH

Carton	Disignation	Part		Hardware
	Table Top With Apron	#1		 #A x 4pcs  #B x 4pcs  #C x 8pcs  #D x 8pcs  #E x 8pcs  #F x 8pcs  #G x 8pcs  #H x 1pc  #I x 1pc
	Upper Leg	#4	 x 4	
	Lower Leg	#5	 x 4	
	Mounting Plate	#6		
	Pedestal	#2		
	Pedestal Cover	#3		

ASSEMBLY INSTRUCTIONS

1

Part (#2) x 1pc

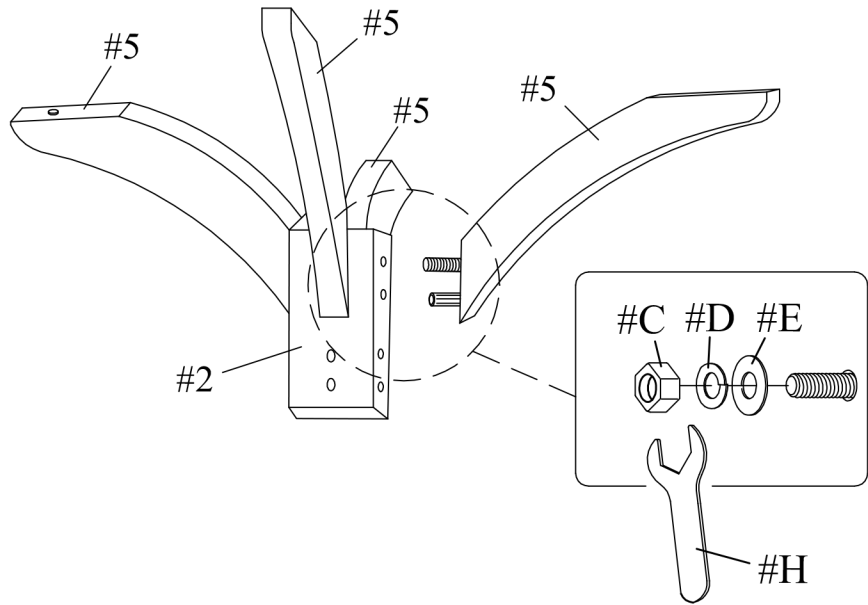
Part (#5) x 4pcs

Hardware (#C) x 4pcs

Hardware (#D) x 4pcs

Hardware (#E) x 4pcs

Align lower legs (#5) to the pedestal (#2), then secure by using hex nuts (#C) with washers (#D,E).



2

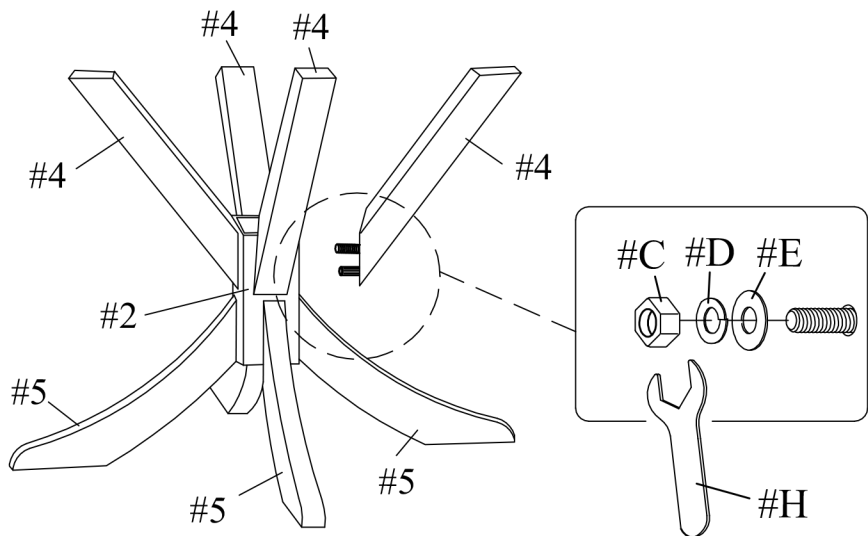
Part (#4) x 4pcs

Hardware (#C) x 4pcs

Hardware (#D) x 4pcs

Hardware (#E) x 4pcs

Align upper legs (#4) to the pedestal (#2), then secure by using hex nuts (#C) with washers (#D,E).



ASSEMBLY INSTRUCTIONS

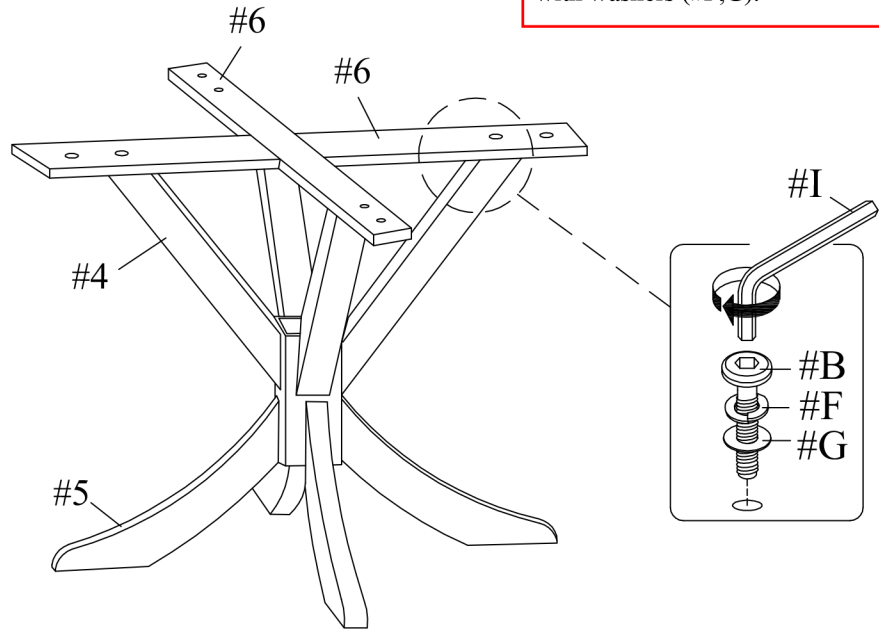
3

Part (#6) x 2pcs

Hardware (#B) x 4pcs

Hardware (#F) x 4pcs

Hardware (#G) x 4pcs



Align mounting plates (#6) to the upper legs (#4), then secure by using bolts (#B) with washers (#F,G).

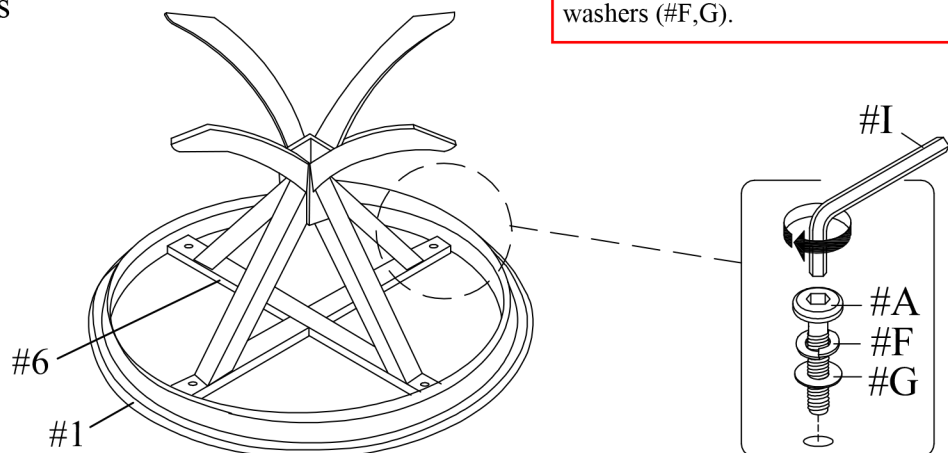
4

Part (#1) x 1pc

Hardware (#A) x 4pcs

Hardware (#F) x 4pcs

Hardware (#G) x 4pcs



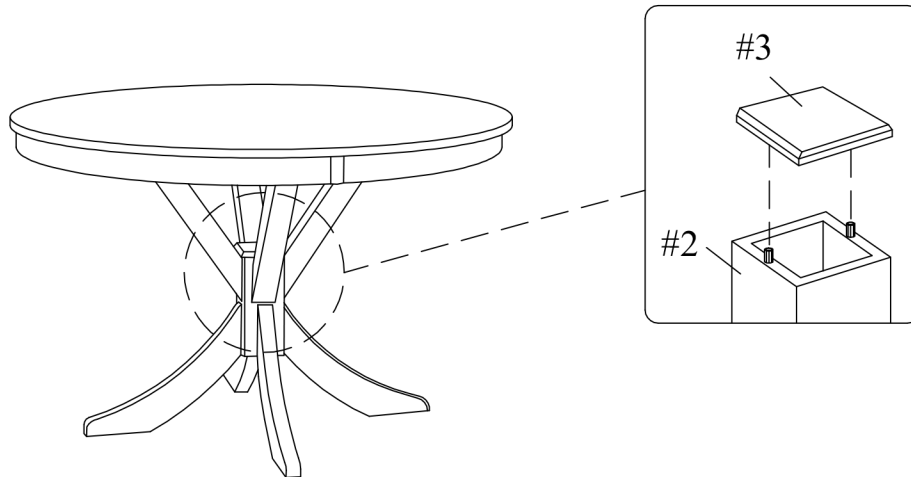
Align mounting plates (#6) to the table top (#1), then secure by using bolts (#A) with washers (#F,G).

ASSEMBLY INSTRUCTIONS

5

Part #3 x 1pc

Attach pedestal cover (#3) onto the pedestal.



6



ASSEMBLY COMPLETED



Please ensure the furniture rests on an even and flat surface. If the product wobbles or feels loose, double-check all bolts and/or screws are properly tightened and secured.

✓ **Keep this handy!**

Please retain this instruction manual and any order-related information for future reference.

✓ **Lift, don't drag!**

To avoid damage to product please always LIFT the product when transporting or adjusting the placement.