

# *ASSEMBLY INSTRUCTIONS*



***MEDIA TOWER***

# ASSEMBLY INSTRUCTIONS

## ASSEMBLY TIPS:

1. Remove hardware from box and sort by size.
2. Please check to see that all hardware and parts are present prior to start of assembly.
3. Please follow attached instructions in the same sequence as numbered to assure fast & easy assembly.



### WARNING!

1. Don't attempt to repair or modify parts that are broken or defective. Please contact the store immediately.
2. This product is for home use only and not intended for commercial establishments.



ASSEMBLY TIME

60 MINUTES

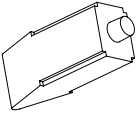
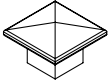
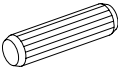

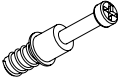
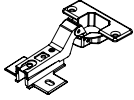


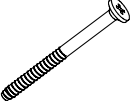
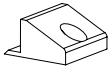
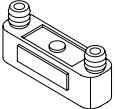

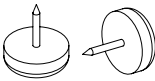
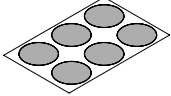
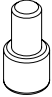

## PARTS IDENTIFICATION

|   |                   |  |       |    |                               |  |       |
|---|-------------------|--|-------|----|-------------------------------|--|-------|
| A | LEFT SIDE PANEL   |  | 1 PC  | G  | ADJUSTABLE SHELF              |  | 1 PC  |
| B | RIGHT SIDE PANEL  |  | 1 PC  | H  | FRONT TOP AND BOTTOM CROSSBAR |  | 2 PCS |
| C | BOTTOM PANEL      |  | 1 PC  | I  | BACK CROSS BRACE              |  | 1 PC  |
| D | LOWER CROSS PANEL |  | 1 PC  | JN | LOWER BACK PANEL              |  | 1 PC  |
| E | UPPER CROSS PANEL |  | 2 PCS | K  | UPPER BACK PANEL              |  | 3 PCS |
| F | TOP PANEL         |  | 1 PC  | L  | DOOR                          |  | 1 PC  |

### NOTE:

Phillips head screw driver is required in the assembly process; however, manufacturer does not provide this item.

## HARDWARE IDENTIFICATION

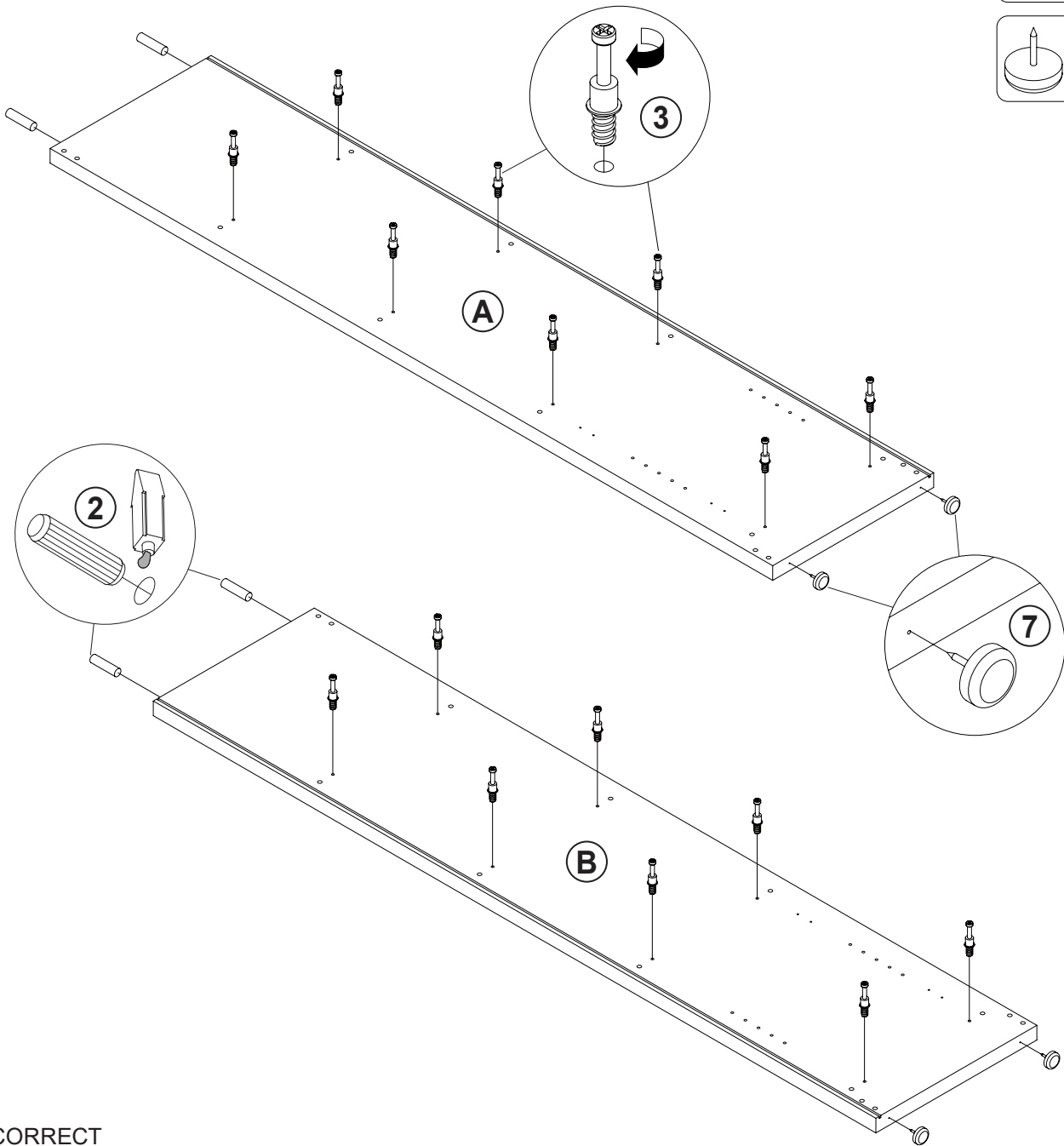
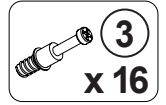
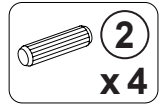
| <b>Z</b> |   |   |        |    |                           |   |       |
|----------|---|---|--------|----|---------------------------|---|-------|
| NO       | DESCRIPTION                                 | FIGURE  | Q'TY   | NO | DESCRIPTION               | FIGURE  | Q'TY  |
| 1        | GLUE 40g                                    |    | 1 PC   | 9  | HANDLE<br>BLK             |    | 1 PC  |
| 2        | WOODEN DOWEL<br>Ø8x30mm                     |    | 35 PCS | 10 | HANDLE BOLT<br>BLK        |    | 1 PC  |
| 3        | CAM BOLT<br>Ø7x35.5mm SR                    |    | 16 PCS | 11 | HINGE<br>Ø35mm SR         |    | 2 PCS |
| 4        | CAM LOCK<br>Ø15x12mm SR                     |    | 16 PCS | 12 | HINGE SCREW<br>Ø4x15mm SR |    | 8 PCS |
| 5        | BOLT<br>Ø9.5x55mm SR                        |   | 4 PCS  | 13 | FIXER                     |   | 6 PCS |
| 6        | DOOR CATCH                                  |  | 1 PC   | 14 | FIXER SCREW<br>Ø3x19mm SR |  | 6 PCS |
| 7        | PLASTIC FEET<br>Ø15mm                       |  | 4 PCS  | 15 | STICKER<br>Ø20mm          |  | 3 PCS |
| 8        | PIN FOR<br>ADJUSTABLE SHELF<br>Ø4.9x15mm SR |  | 4 PCS  | 16 | PLASTIC COVER<br>Ø 52mm   |  | 1 PC  |

Z11 not included in blister packaging.

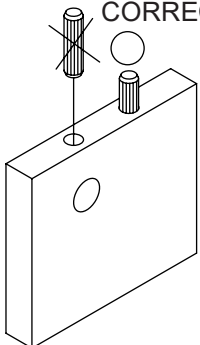
**NOTE:**

Phillips head screw driver is required in the assembly process; however, manufacturer does not provide this item.

# STEP 1

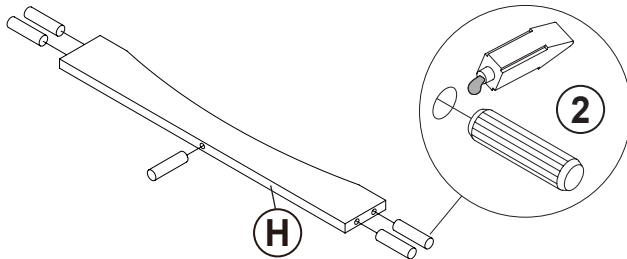
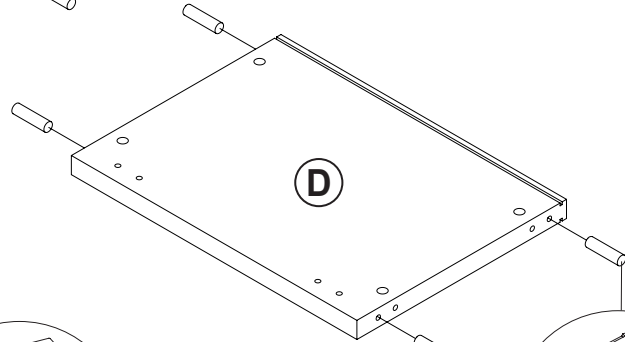
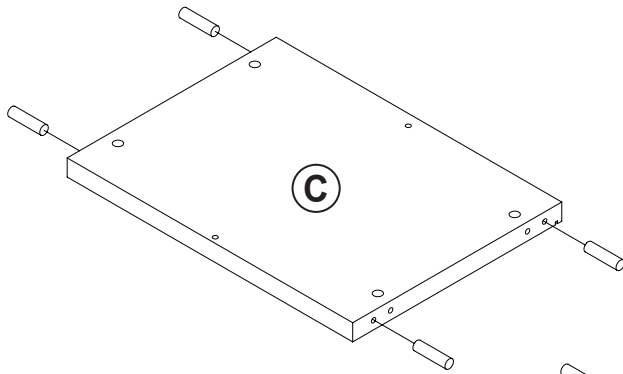
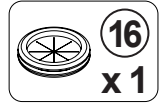
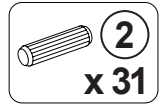


INCORRECT  
CORRECT

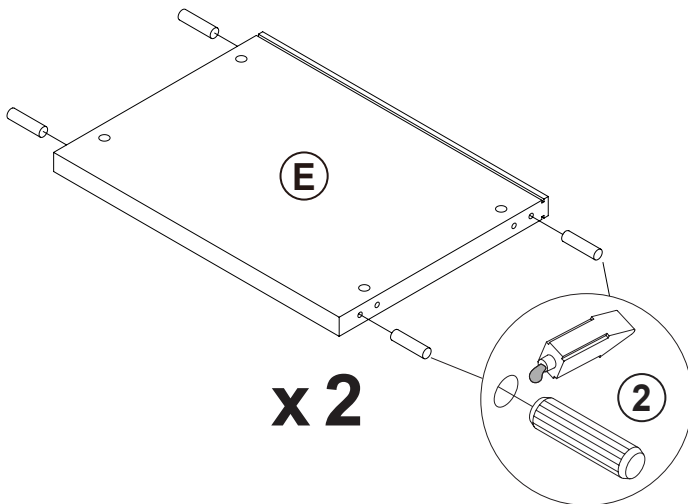
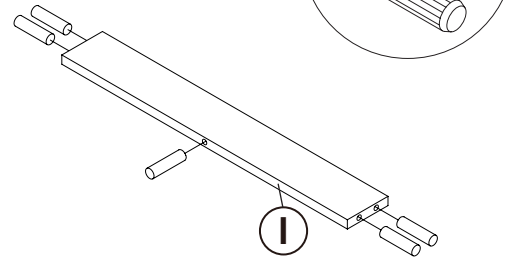


Apply glue on all wooden dowels to ensure integrity of the structure.

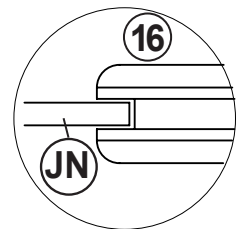
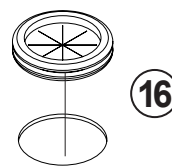
# STEP 2



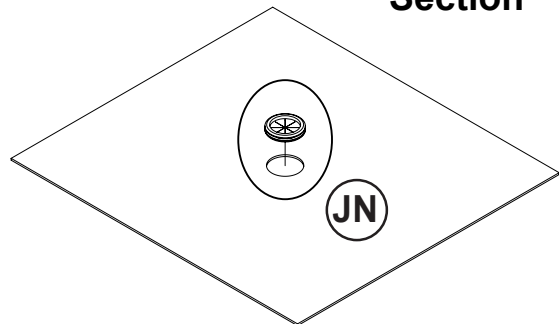
x 2



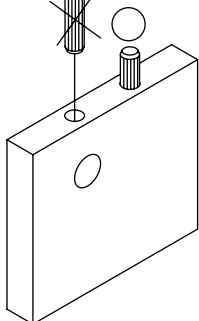
x 2



Section

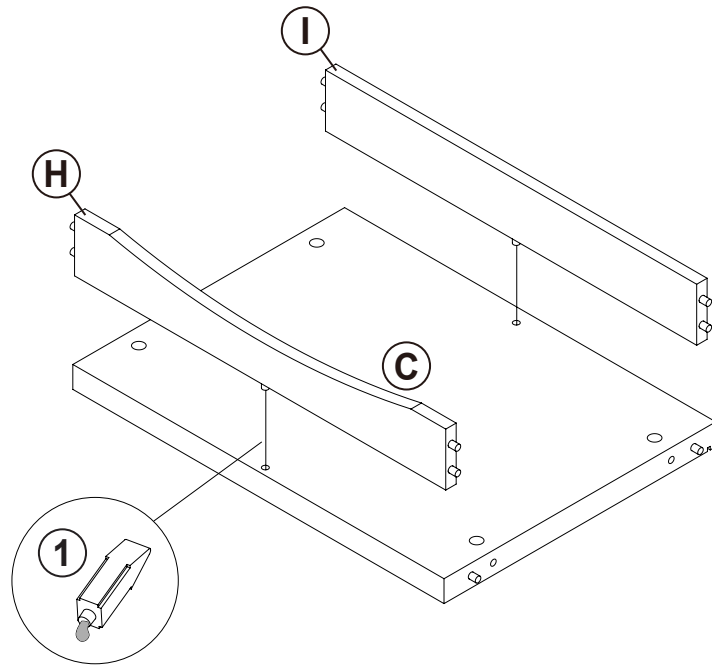


INCORRECT  
CORRECT



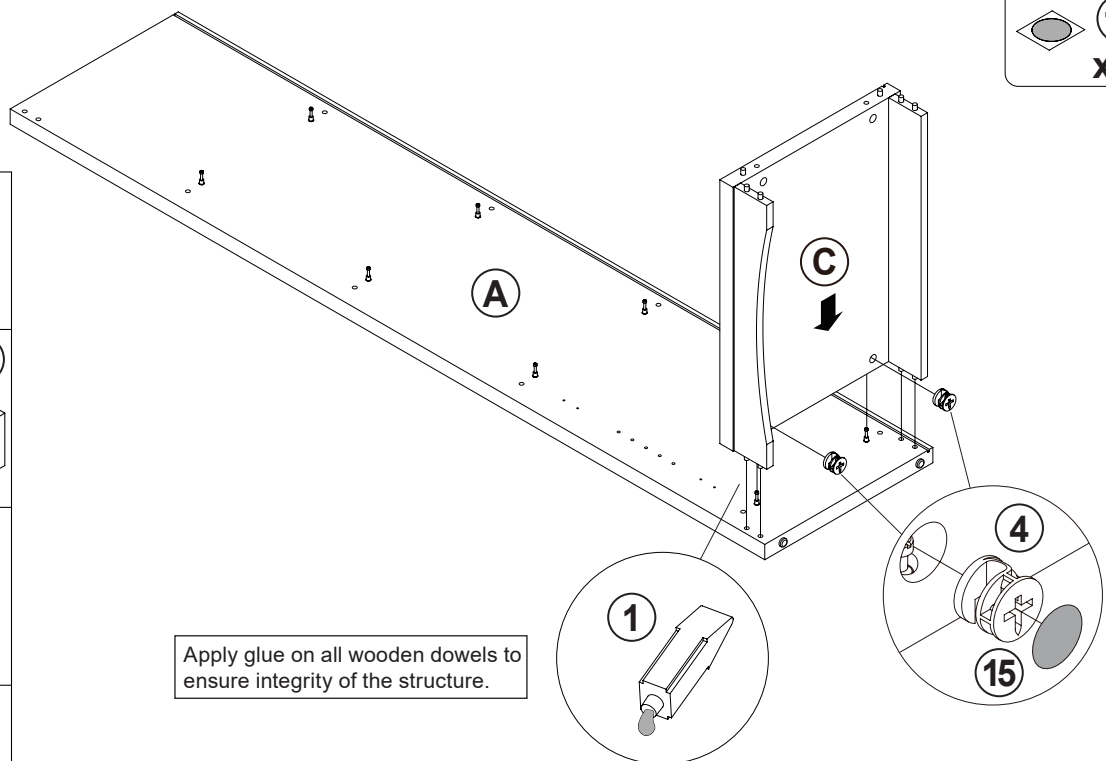
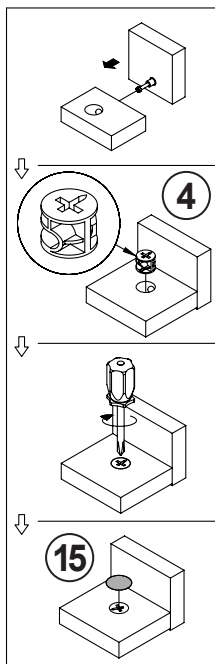
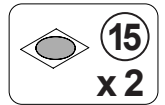
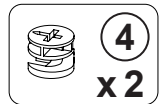
Apply glue on all wooden dowels to ensure integrity of the structure.

## STEP 3



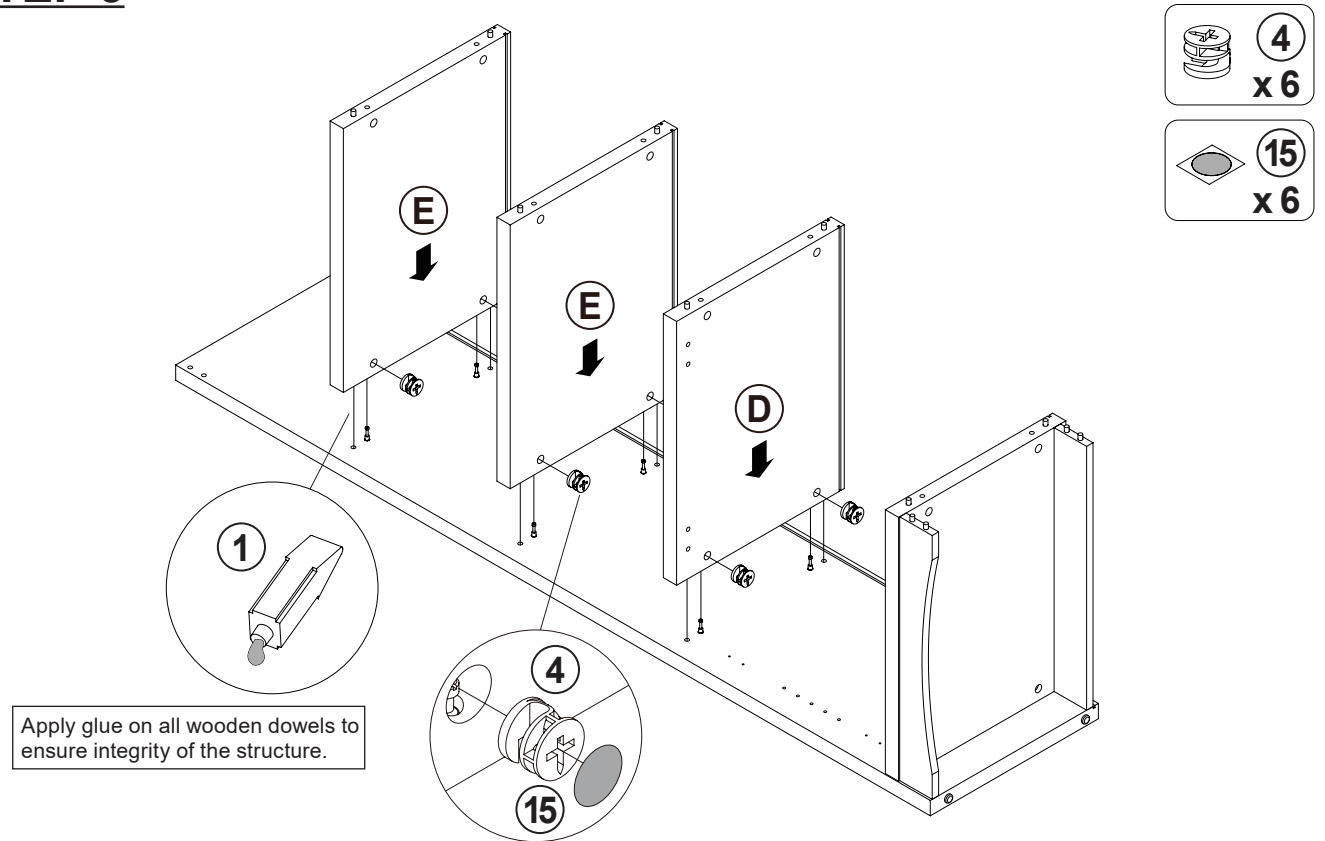
Apply glue on all wooden dowels to ensure integrity of the structure.

## STEP 4

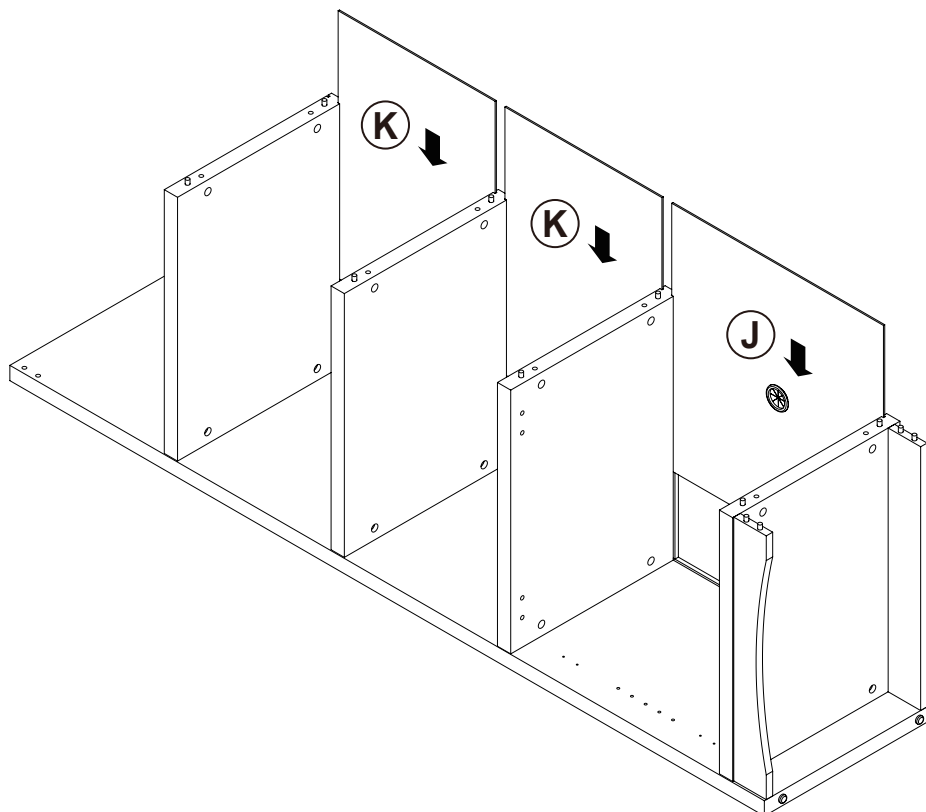


Apply glue on all wooden dowels to ensure integrity of the structure.

## STEP 5

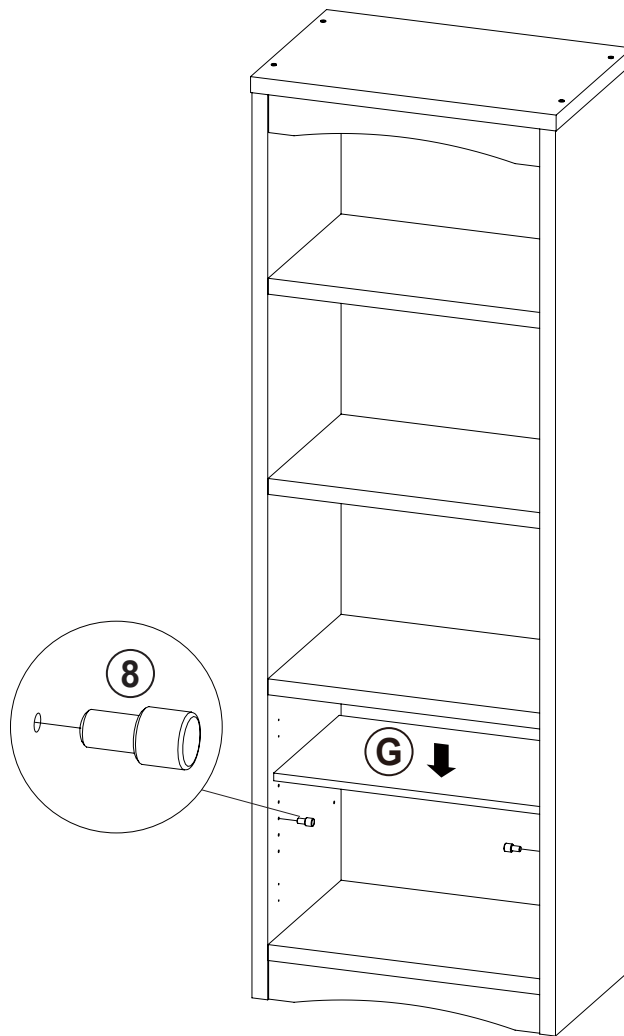
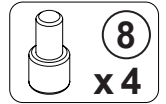


## STEP 6

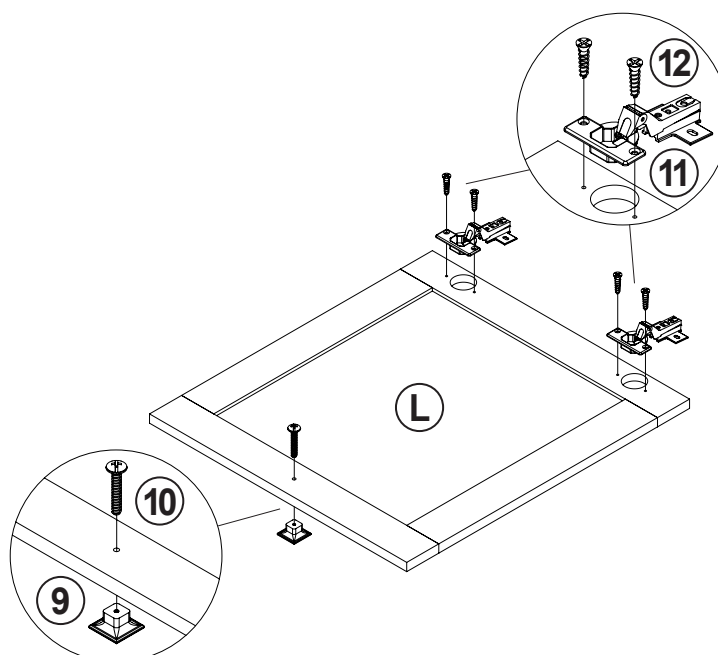
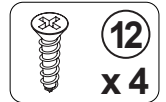
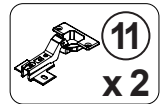
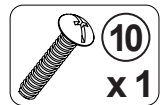
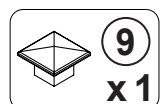




## STEP 9

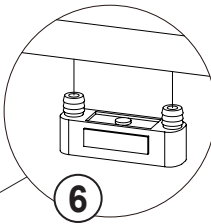
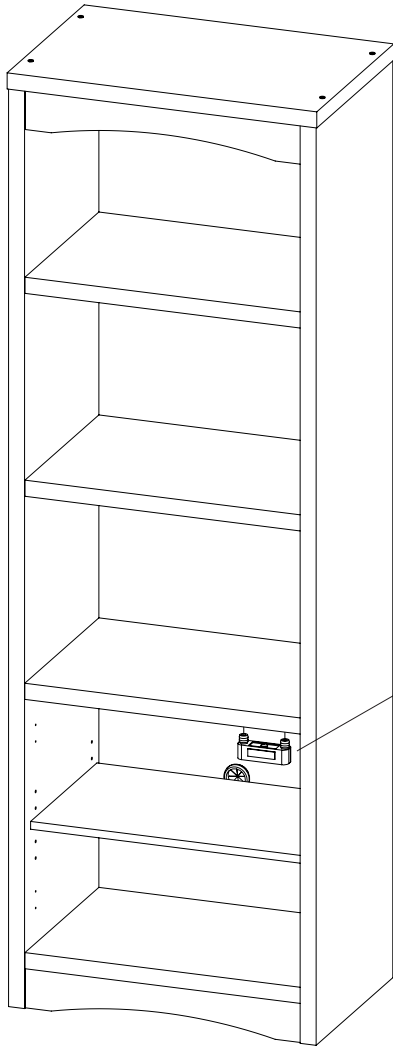
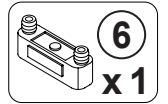


## STEP 10

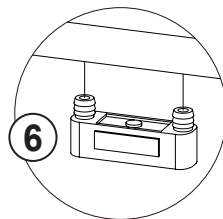
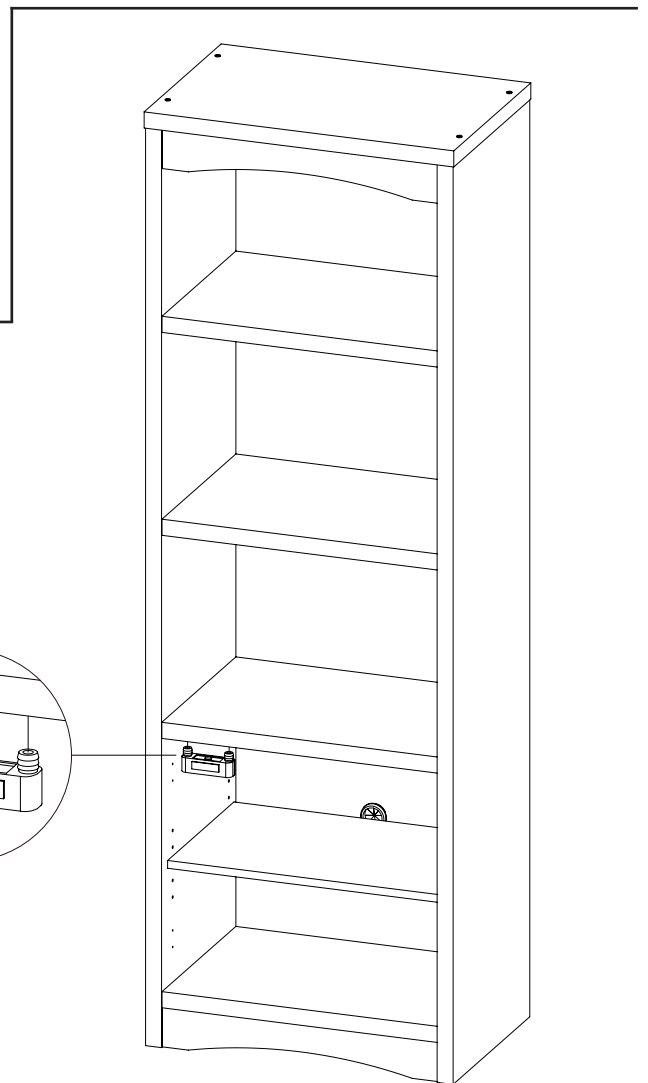


# STEP 11

LEFT

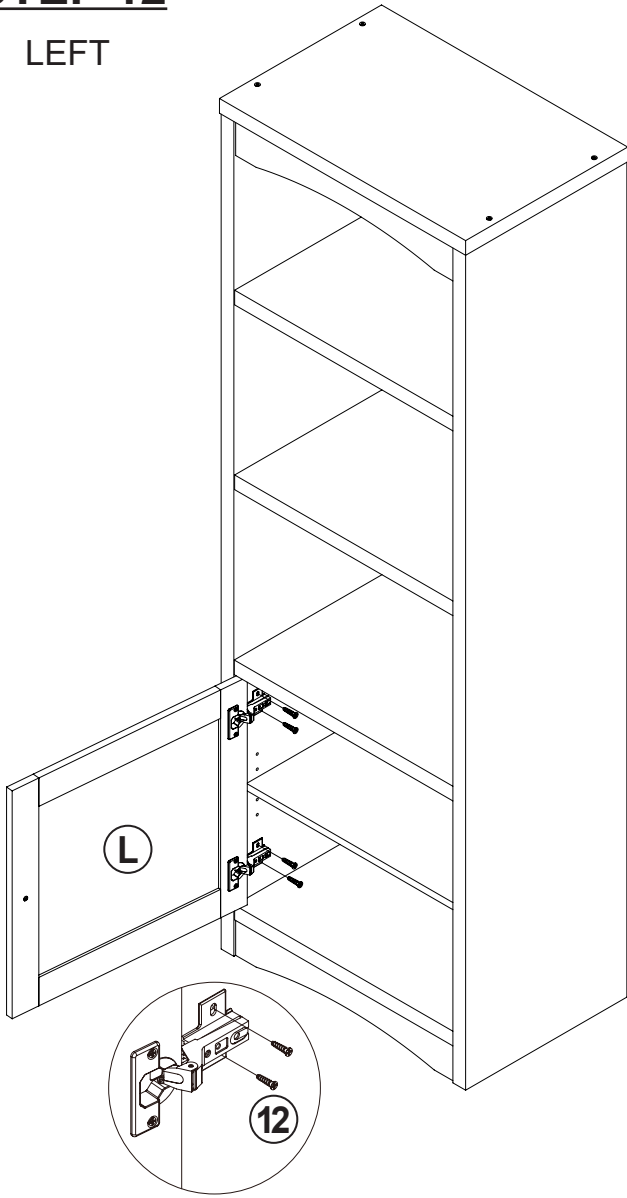
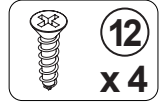


RIGHT

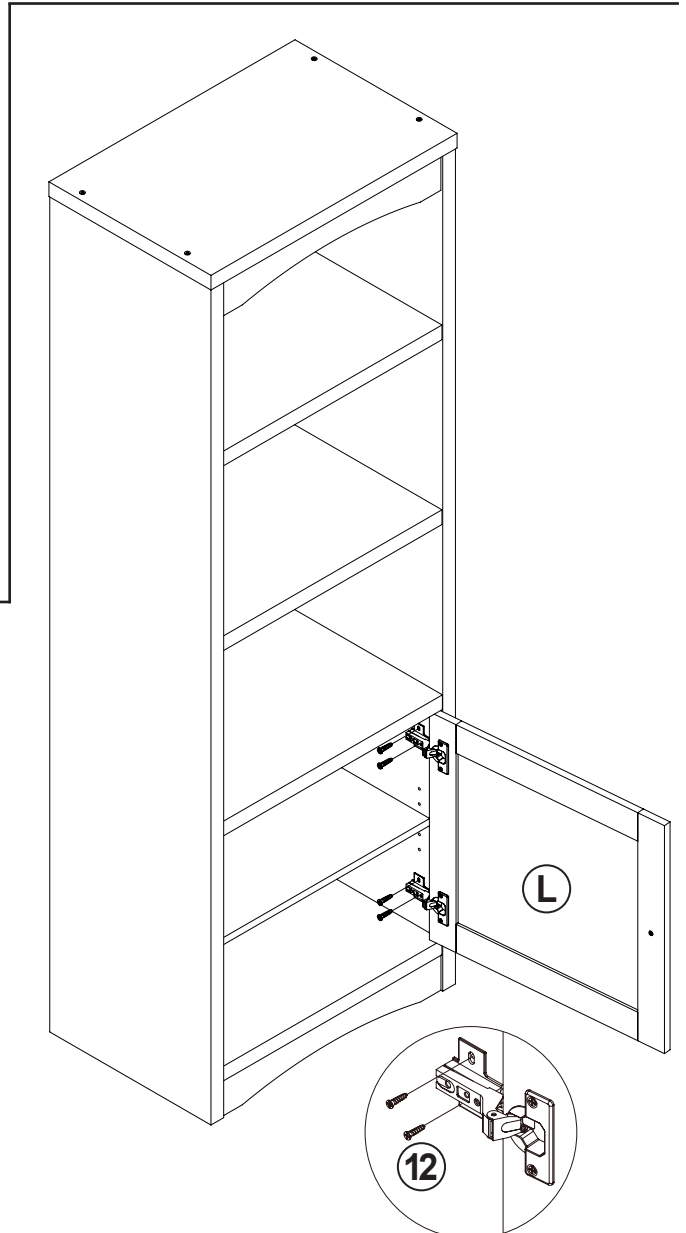
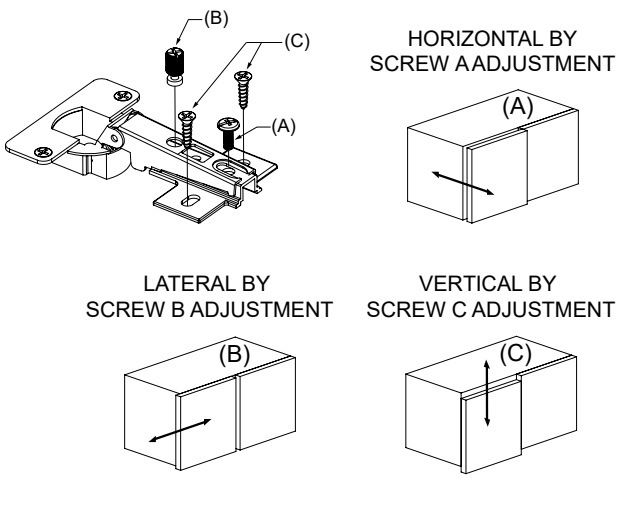


# STEP 12

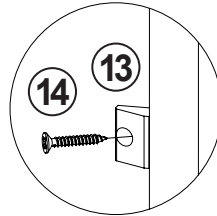
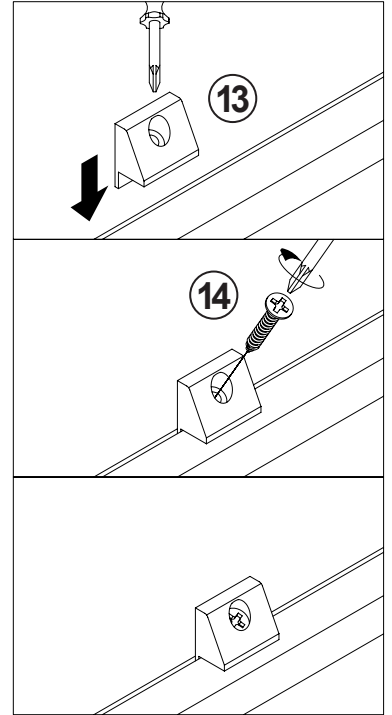
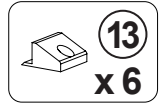
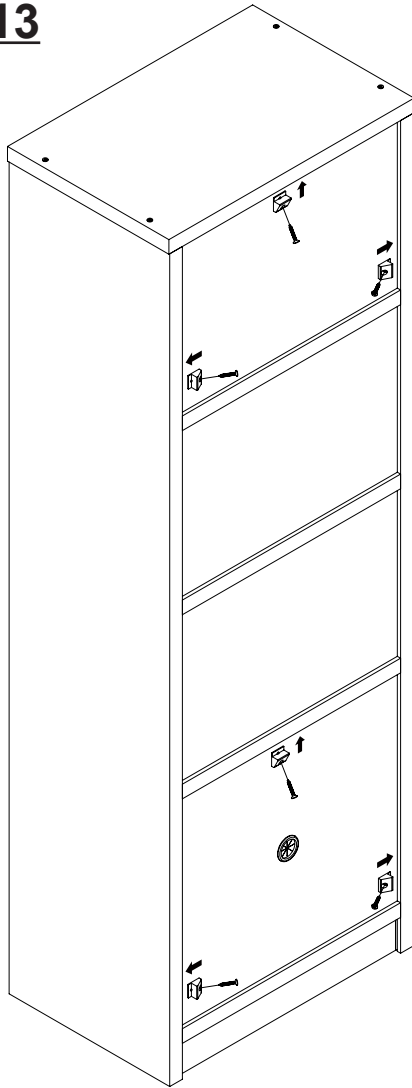
LEFT



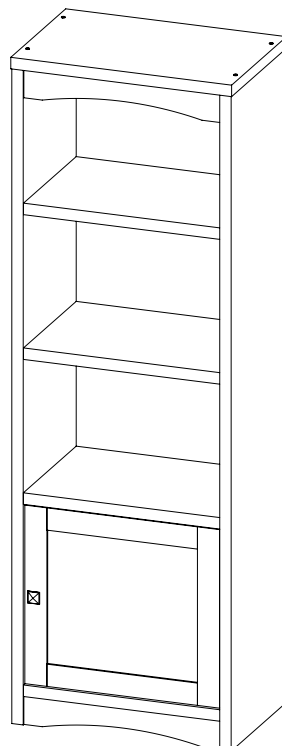
RIGHT

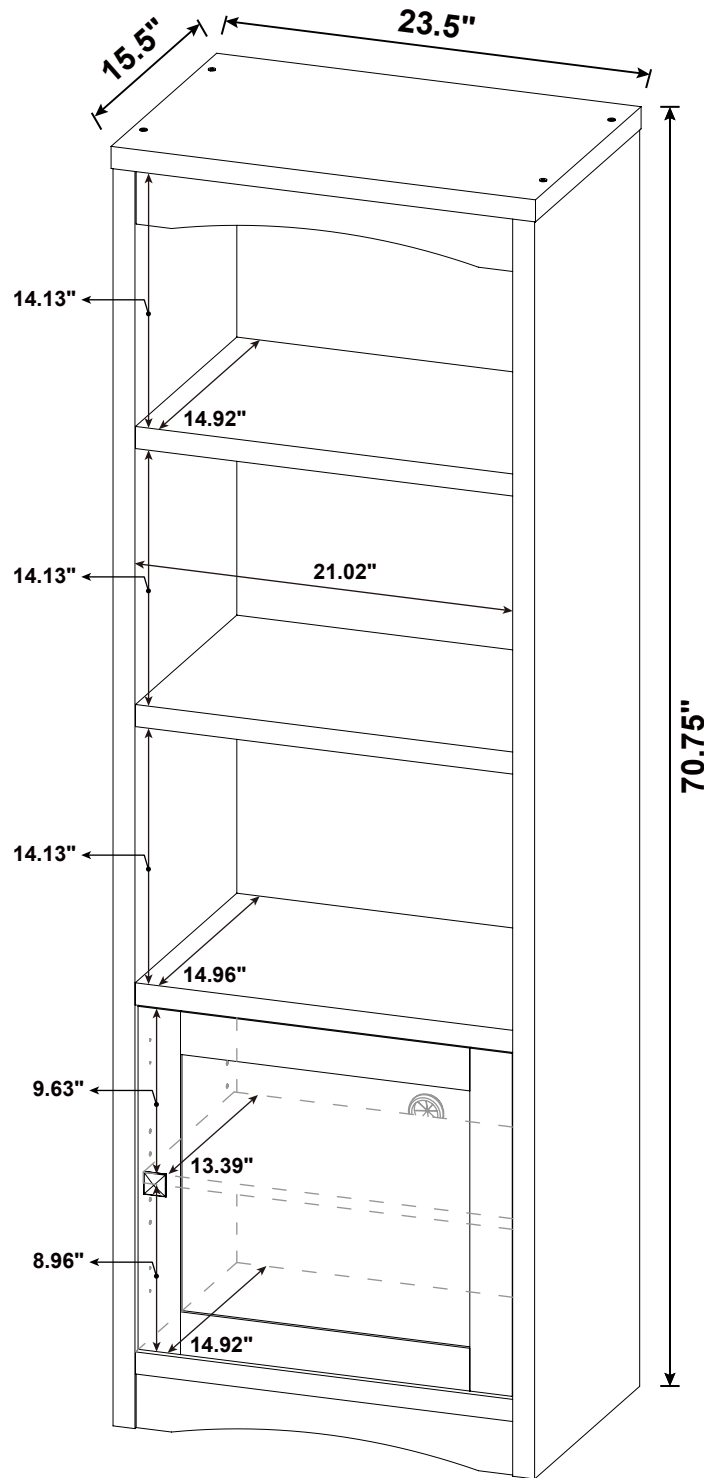


## STEP 13



## STEP 14 COMPLETE





**Note :** Dimension tolerance  $\pm 5\%$

# ANTI-TIPPING INSTALLMENT INSTRUCTIONS

## FURNITURE TIPPING RESTRAINT

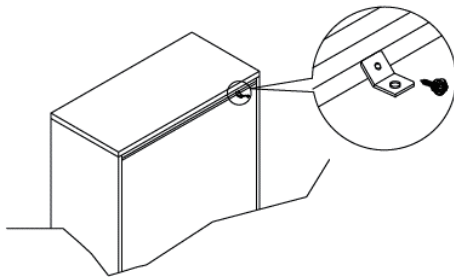
### WARNING

Injury may result from tipping furniture.  
This restraint may protect against tipping furniture.  
Do not allow children to climb on furniture.  
This restraint is not a substitute for proper adult supervision.  
Failure to detach this restraint before moving the furniture may result in injury and damage.

This restraint must be screwed to a wood stud on the wall, using the long screw provided.

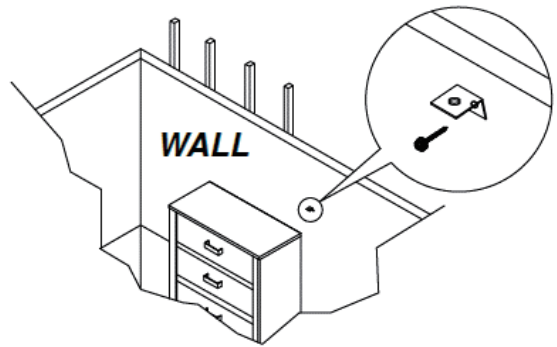
### STEP 1

Secure the bracket to the back top of the unit, using the short screw provided, as shown in the drawing.



### STEP 2

Locate the wood stud on the wall, and secure the other bracket, 2 inches below the back of the unit.



### STEP 3

Place the furniture into position so both mounting brackets are vertically in line. Lace the end of the restraint strap through the larger hole in each mounting bracket. Bring both ends together and slide the flat end through the locking end, and drag it through, until the slack is removed. Ensure that the strap is securely laced and locked.

