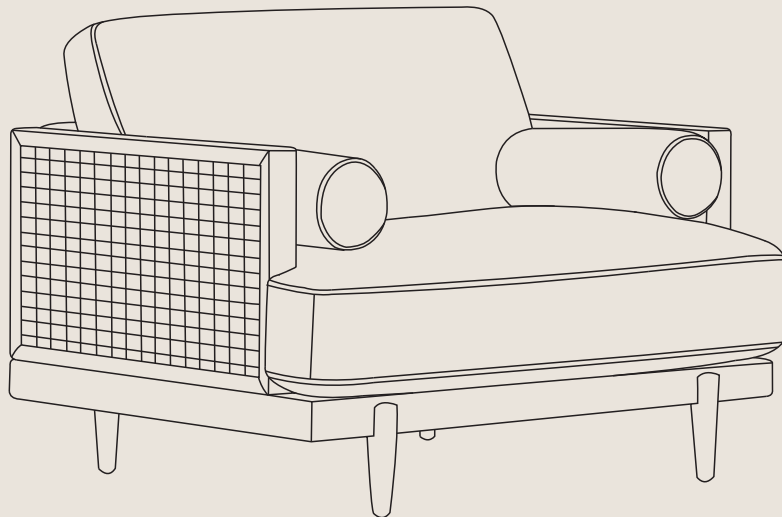
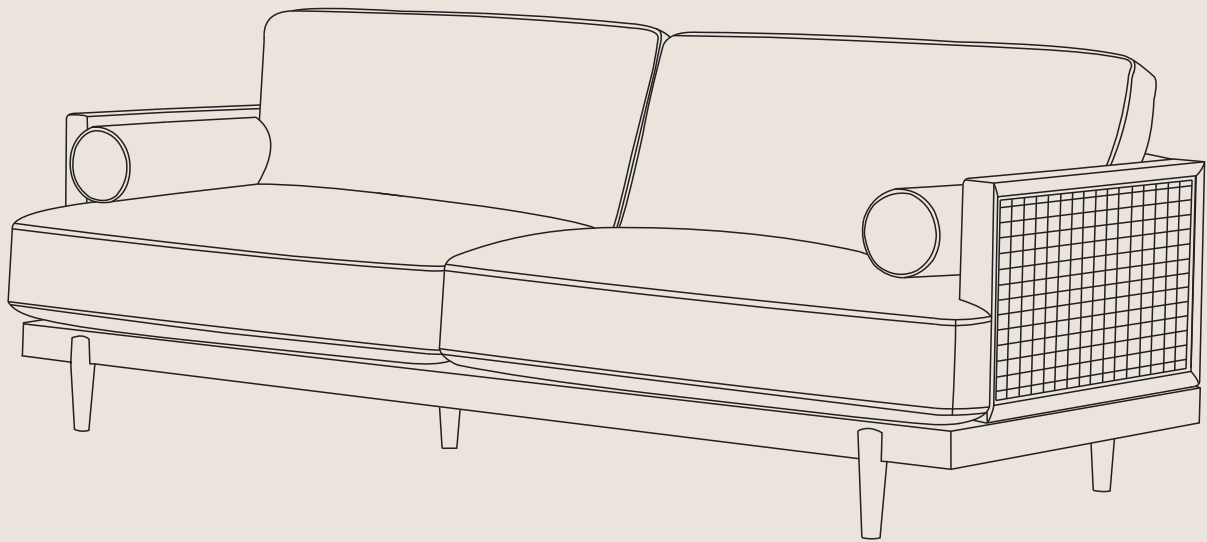


# Assembly Guide

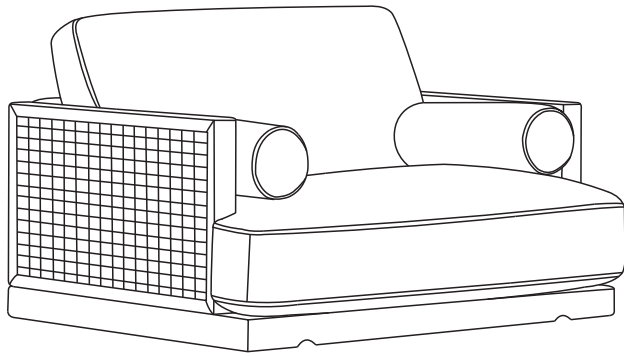


## CAUTION

THIS ASSEMBLY MANUAL CONTAINS IMPORTANT SAFETY INFORMATION.  
PLEASE READ AND KEEP FOR FUTURE REFERENCE.

# Armchair

## Components



Front Legs (X2) Back Legs (X2)



Allen Key 5# (X1)



Power tools are NOT recommended

Flat Washers M8 (X4)



Spring Washers M8 (X4)

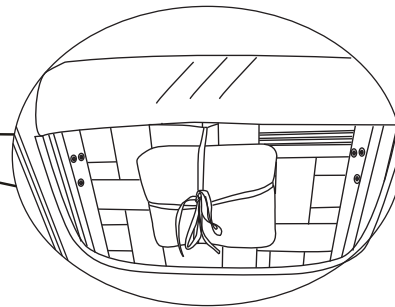
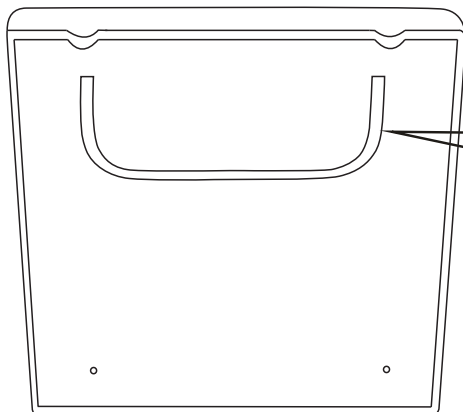


Bolts M8X45mm (X4)



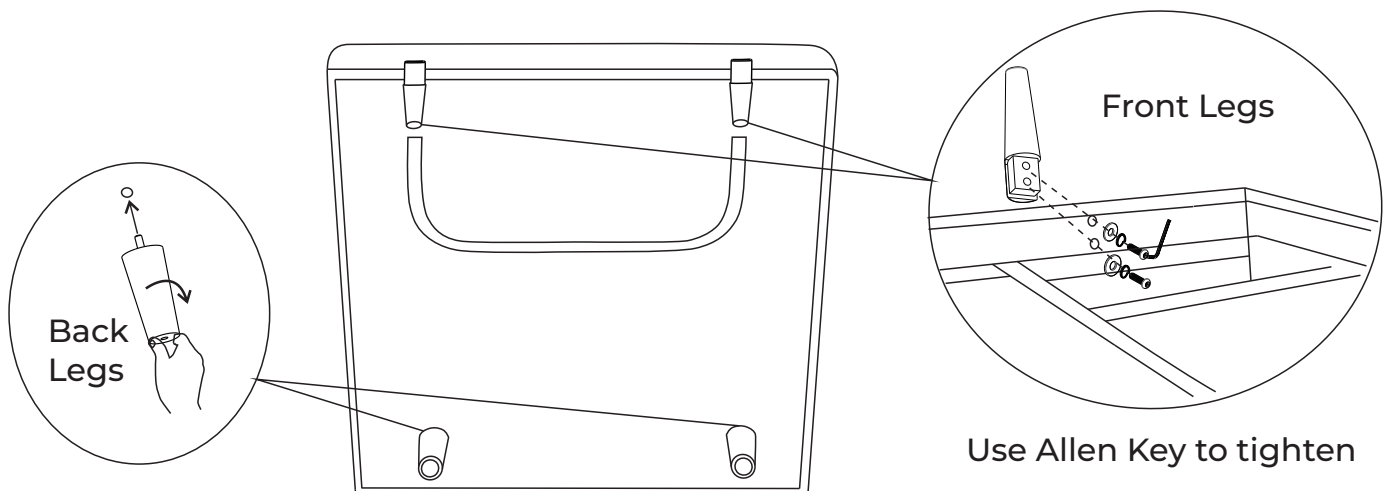
## Assembly Instructions

- 1 Remove the legs and hardware pack from the zippered compartment at the bottom of the chair.



Hardware pack inside

- 2 Attach Front Legs to the chair, using Bolts, Spring Washers, Flat Washers and Allen Key. Fully tighten. Rotate Back Legs firmly.

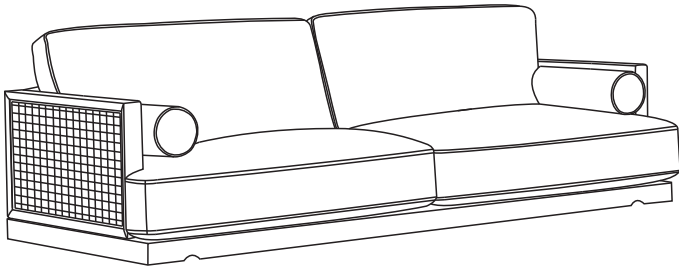


Back Legs

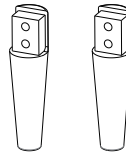
Front Legs

Use Allen Key to tighten

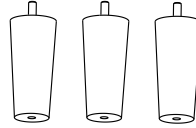
### Components



Front Legs (X2)



Back Legs (X2) + Middle Leg (X1)



Allen Key 5# (x1)



Power tools are NOT recommended

Flat Washers M8 (X4)



Spring Washers M8 (X4)

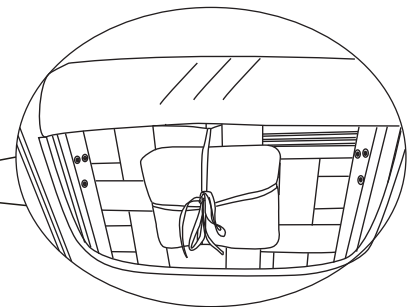
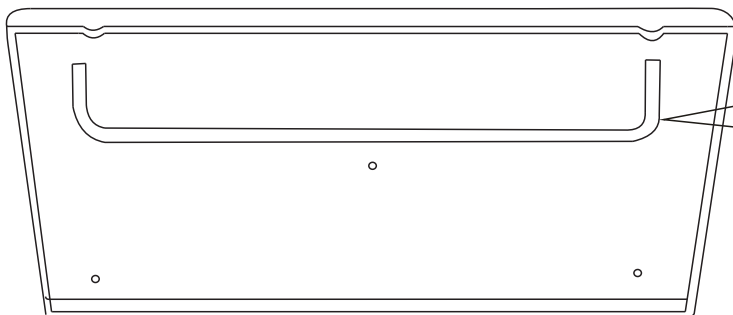


Bolts M8X45mm (X4)



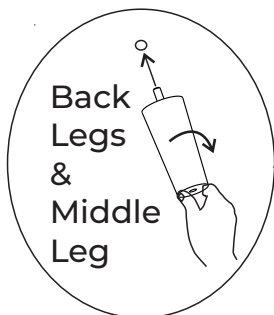
### Assembly Instructions

- 1 Remove the legs and hardware pack from the zippered compartment at the bottom of the sofa.

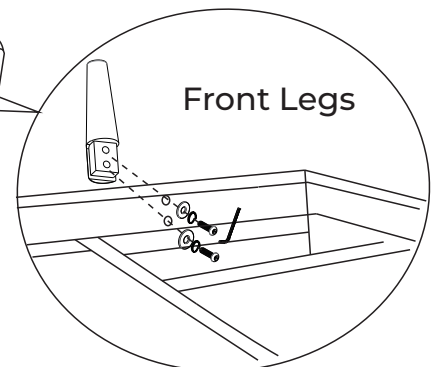
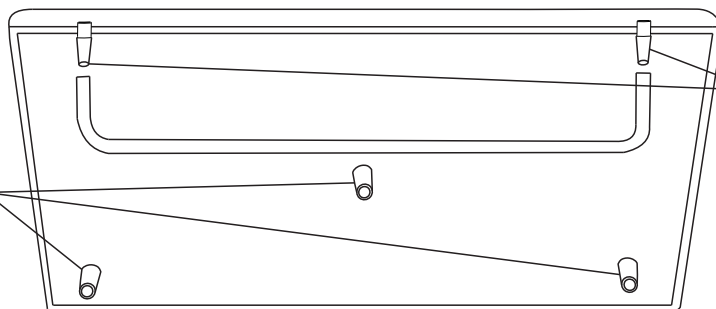


Hardware pack inside

- 2 Attach Front Legs to the sofa, using Bolts, Spring Washers, Flat Washers and Allen Key. Fully tighten. Rotate the Back Legs and Middle Leg into the sofa firmly.



Back Legs & Middle Leg



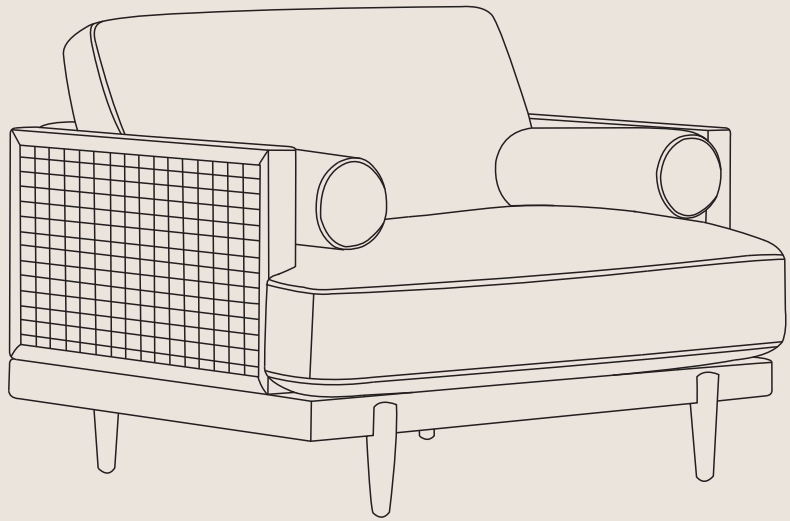
Front Legs

Use Allen Key to tighten

# Note

Each piece comes with one box.

**Armchair**



**Sofa**

