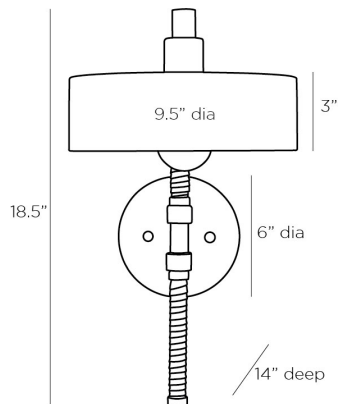


ARTERIOS

AARON SCONCE



49175
H: 18.5 IN, W: 9.5 IN, D: 14 IN
Bronze
Contract Suitable As Is

This contemporary sconce possesses a modern sensibility defined by a sleek style and masterly materials. A heritage brass steel frame wrapped in gray leather is perfectly presented from a circular black marble backplate, and a bronze steel drum shade directs light for a striking contrast. Marble will vary. Damp-rated, although limited covered outdoor areas may affect finish.

APPEARANCE

| | |
|------------------|-------------------------------------|
| Material | Leather, Marble, Steel |
| Finish | Black, Bronze, Gray, Heritage Brass |
| Finish Will Vary | true |
| Top Coat/Sealant | true |

DIMENSIONS

| | |
|-----------|-----------------------|
| Backplate | 8 IN |
| Mount | Dia: 6.00 IN, D: 1 IN |
| | Dia: 4.00 IN |

WIRING

| | |
|--------------|------------------|
| Rating | Damp |
| Cord | 1 FT, Black, SVT |
| Socket | 1, Type A - E26 |
| Maximum Watt | 60 |
| Voltage | 110-120 V |

CERTIFICATIONS

| | |
|---------------|---|
| Cerifications | Mexico Australia, EU, United Kingdom, Middle East, United States, Canada |
|---------------|---|

COMPLIANCY

| | |
|--------|------|
| UL/ETL | Yes |
| CB | Yes |
| RoHS | true |

SHIPPING

| | |
|----------------|---------------------------------------|
| Product Weight | 5.5 LBS |
| Gross Weight 1 | 8.4 LBS |
| Shipping Box 1 | H: 18.46 IN, L: 34.96 IN, W: 48.96 IN |

CONTRACT

| | |
|-------------------|------|
| Contract Suitable | true |
|-------------------|------|