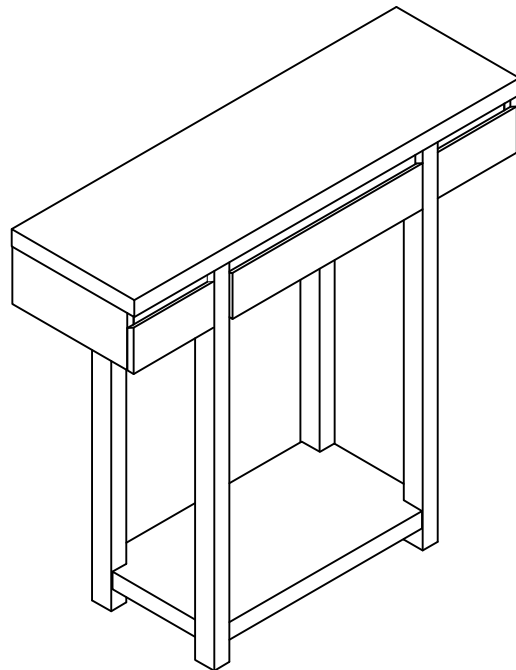


# ASSEMBLY INSTRUCTIONS



**950135**  
***Console Table***

---

# ITEM:950135

## ASSEMBLY INSTRUCTIONS

### ASSEMBLY TIPS:

- 1.Remove hardware from box and sort by size.
- 2.Please check to see that all hardware and parts are present prior to start of assembly.
- 3.Please follow attached instructions in the same sequence as numbered to assure fast & easy assembly.

### Warning !!

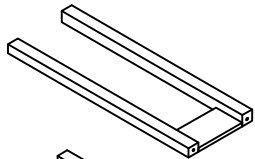
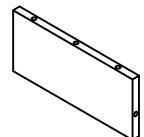
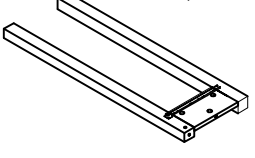
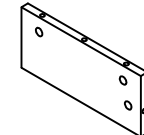
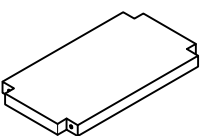
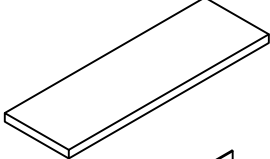
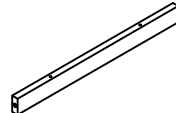
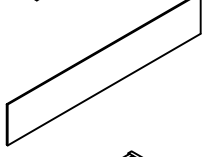
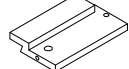
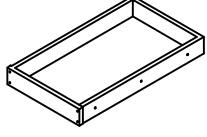

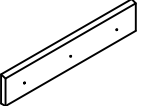
1. Don't attempt to repair or modify parts that are broken or defective. Please contact the store immediately.
2. This product is for home use only and not intended for commercial establishment.



**ASSEMBLY TIME**



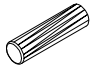

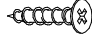







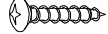
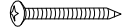


**30 MINUTES**

## PARTS IDENTIFICATION

(A) LEFT SIDE FRAME		1 PCS	(G) LEFT SIDE PANEL		1 PC
(B) RIGHT SIDE FRAME		1 PC	(H) RIGHT SIDE PANEL		1 PC
(C) BOTTOM PANEL		1 PC	(I) TOP BOARD		1 PC
(D) FRONT DECORATE BAR		1 PC	(J) BACK PANEL		1 PC
(E) LEFT FRONT BAFFLE		1 PC	(K) DRAWER		1 PC
(F) RIGHT FRONT BAFFLE		1 PC	(L) DRAWER FRONT PANEL		1 PC

# ITEM:950135

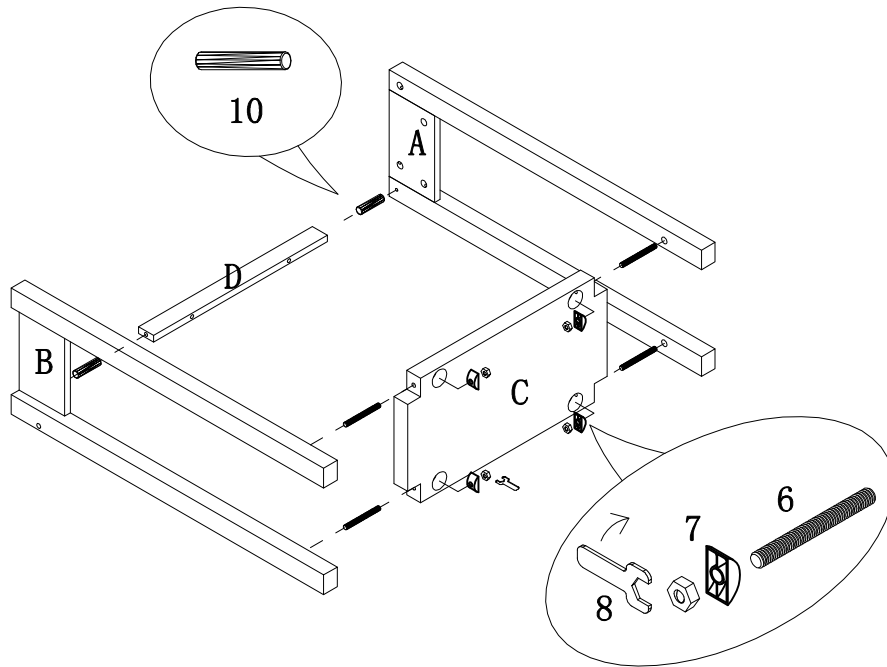
## HARDWARE IDENTIFICATION

1	CAM BOLT	L=29mm		12 pcs
2	CAM LOCK	ø15mm		12 pcs
3	SHORT WOODEN DOWEL	ø8×25mm		6pcs
4	LARGE WOOD SCREW	ø4x50mm		2pcs
5	SMALL WOOD SCREW	ø4x25mm		3pcs
6	FULL-THREAD ROD	M8x70mm		4pcs
7	CONNECTING PIECE			4pcs
8	OPEN END WRENCH	M13mm		1pc
9	NAIL			14pcs
10	LARGE WOODEN DOWEL	ø6×30mm		2pcs
11	THE RESTRAINT STRAP	197×5×1mm		1pc
12	BRACKET	12×12×1mm		2pcs
13	SMALL SCREW	ø4x25mm		1pcs
14	WALL SCREW	ø5x40mm		1pc
15	PLASTIC ANCHOR	ø8x40mm		1pc
16	GLUE			1pc

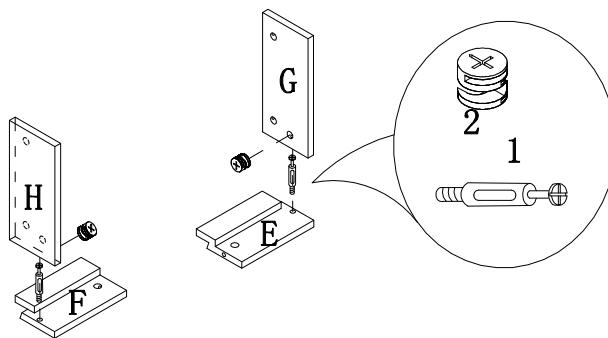
# ITEM: 950135

## ASSEMBLY INSTRUCTIONS

### STEP 1



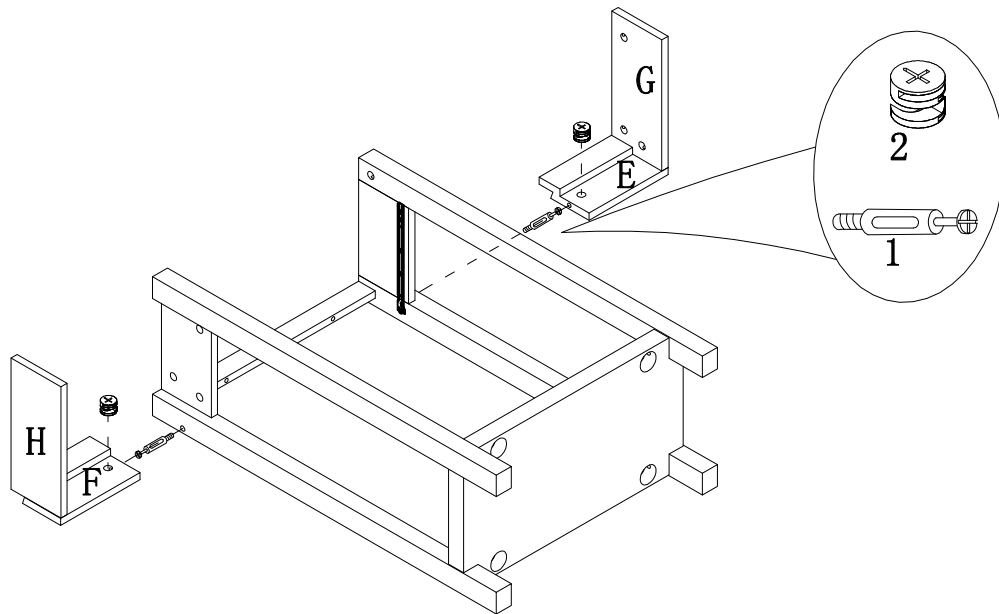
### STEP 2



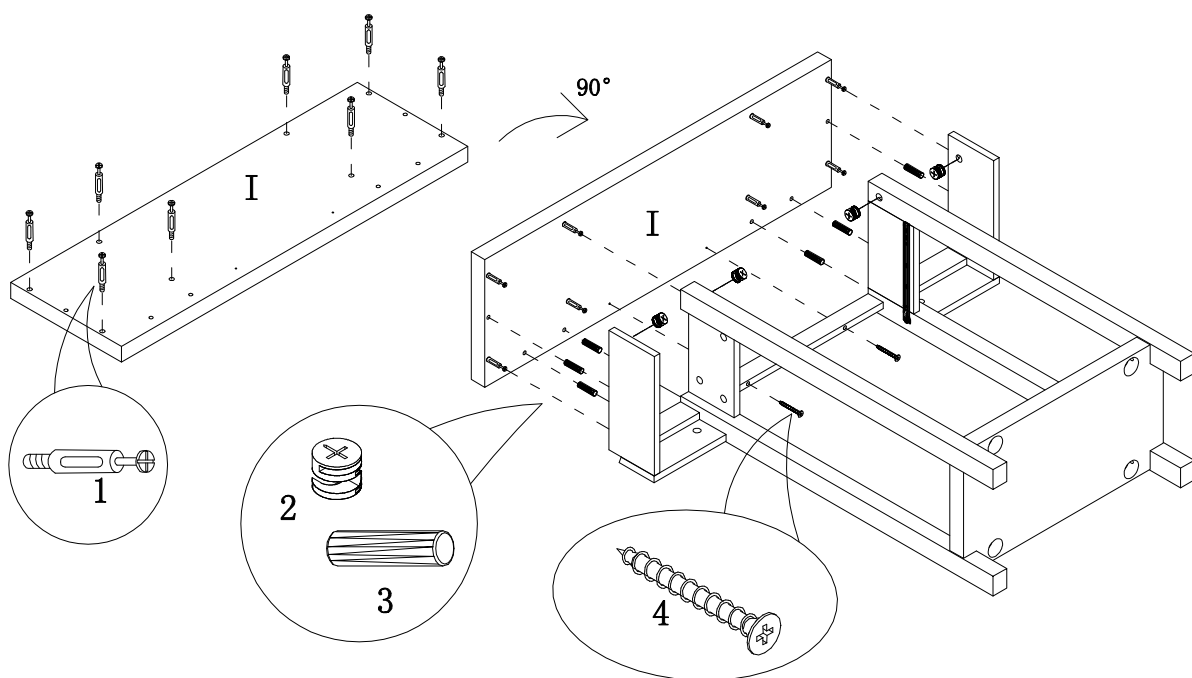
# ITEM: 950135

## ASSEMBLY INSTRUCTIONS

### STEP 3



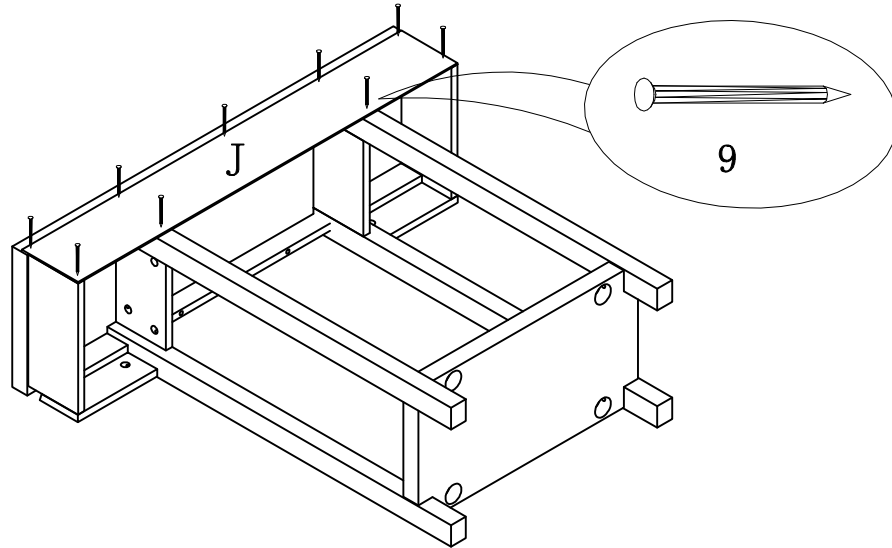
### STEP 4



# ITEM: 950135

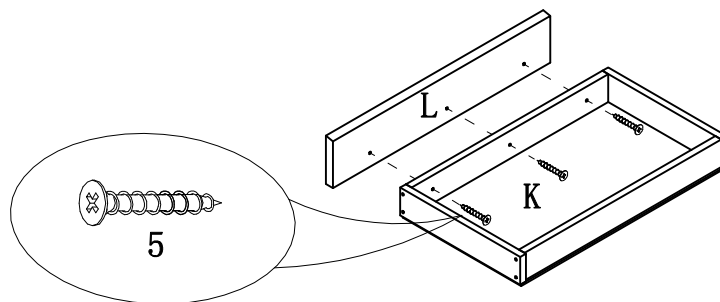
## ASSEMBLY INSTRUCTIONS

### STEP 5



---

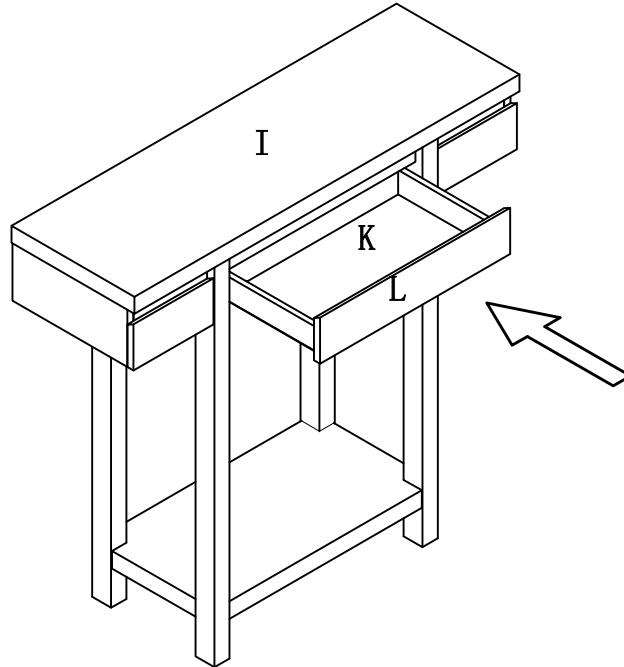
### STEP 6



# ITEM: 950135

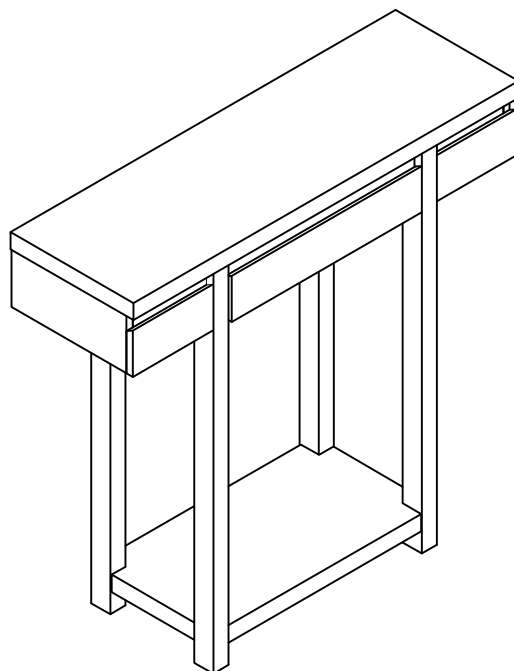
## ASSEMBLY INSTRUCTIONS

### STEP 7



---

### STEP 8



# ITEM:950135

## ANTI-TIPPING INSTALLMENT INSTRUCTIONS

### FURNITURE TIPPING RESTRAINT

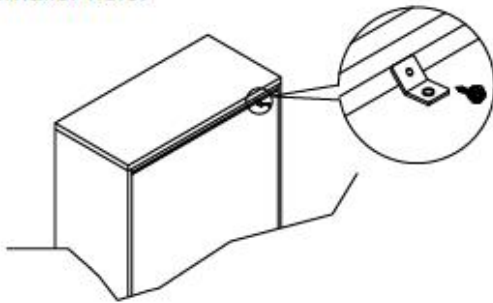
#### WARNING

Injury may result from tipping furniture.  
This restraint may protect against tipping furniture.  
Do not allow children to climb on furniture.  
This restraint is not a substitute for proper adult supervision.  
Failure to detach this restraint before moving the furniture may result in injury and damage.

This tip restraint must be attached to a wall stud using long screw enclosed.

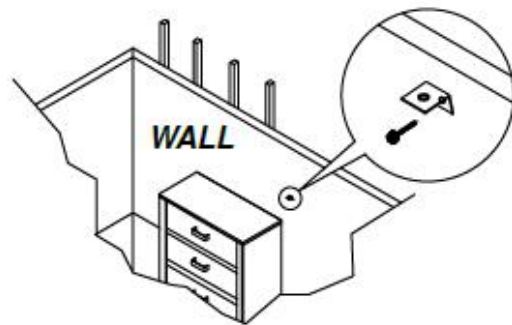
#### STEP 1

Attach a bracket securely to the back top rail to the furniture using short screw provided, through the smaller hole.



#### STEP 2

Locate the other bracket on the wall over a wall stud and two inches below the mounting bracket secured to the back of the furniture. Attach the wall stud using the long screw provided, through the smaller hole.



#### STEP 3

Place the furniture into position so both mounting brackets are vertically in line. Lace the end of the restraint strap through the larger hole in each mounting bracket. Bring both ends together and slide the flat end through the locking and draw it until all slack is removed. Confirm that the strap is securely laced and locked.

