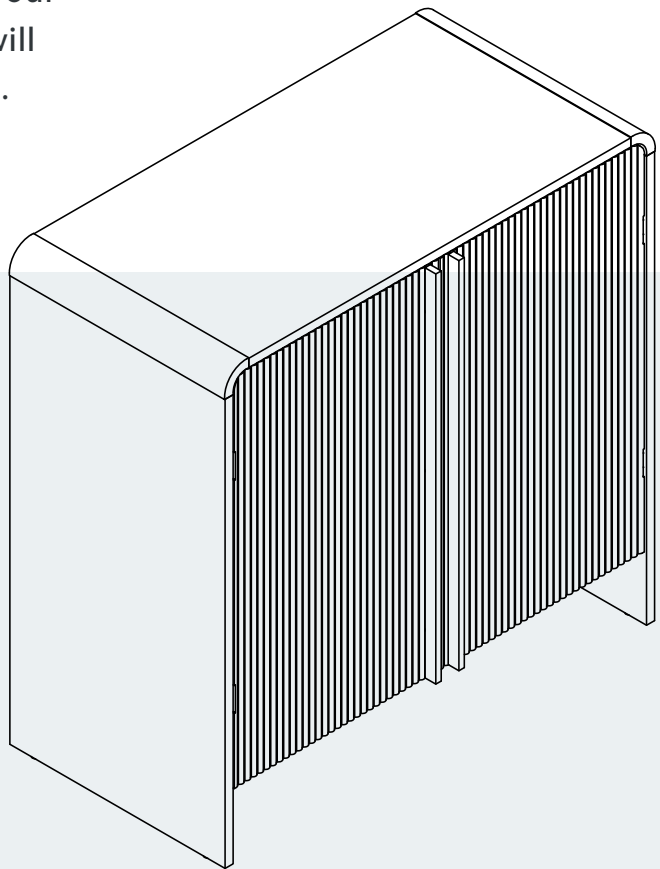


# Sideboard

Assembly Instruction – Please keep properly for future reference.

---

If you find any missing boxes, damaged parts, or accessory shortages, please contact the customer service team of your purchasing channel immediately. We will resolve the issue as quickly as possible.



## CONTACT US

---

- In order to receive assistance more quickly, please provide
- 

## THE FOLLOWING INFORMATION:

---

- Order number
  - Purchase platform
  - Purchase date
  - Detailed description of the issue along with photos (if applicable)
- 

**Important** – Please read these instructions carefully before starting the installation.

# Before Assembly



Thank you for choosing our product!

To ensure a smooth installation process, please read this guide carefully to familiarize yourself with the required tools, materials, and installation steps.

Follow the relevant sections to avoid any damage caused by improper installation, and make sure to review all operation and safety guidelines for correct installation procedures.

## Packaging Notice:

If you find any missing boxes, damaged parts, or accessory shortages, please contact the customer service team of your purchasing channel immediately. We will resolve the issue as quickly as possible.

# Safety and Care Advice



## Important :

Please read these instructions fully before starting assembly.

- Check you have all the components and tools listed on the following pages.
- Remove all fittings from the plastic bags and separate them into their groups.
- Keep children and animals away from the work area, small parts could choke if swallowed.
- Make sure you have enough space to layout the parts before starting.
- During assembly do not stand or put weight on the product, this could cause damage.
- Assemble the item as close to its final position (in the same room) as possible.
- Assemble on a soft level surface to avoid damaging the unit or your floor.
- Parts of the assembly will be easier with 2 people.



- To reduce the likelihood of damaging your product please ensure that your power drill is set on a low torque setting.

## Care and Maintenance

- Only clean using a damp cloth and mild detergent, do not use bleach or abrasive cleaners.
- From time to time check that there are no loose screws on this unit.
- This product should not be discarded with household waste. Take to your local authority waste disposal center.

## Handy Hints

- Assemble all parts and bolts loosely during assembly, only once the product is complete should you fully tighten the bolts.
- Regularly check and ensure that all bolts and fittings are tightened properly.

## Warning

**In order to help prevent overturning, please follow these instructions.**

- Use the anti tip strap or wall fixing method provided (if applicable).
- Do not allow children to climb or hang on the furniture.
- Do not open more than one drawer at a time.
- Do not place heavy items in the top drawers.
- Do not place heavy items on top of the furniture, unless the furniture has been designed for this purpose.
- Please note that only the anti tip strap is provided. You will need to provide wall plugs and screws applicable for your wall type.

# Customer Service Guide



Thank you for choosing our product! We are committed to providing you with excellent service. If you find any missing parts, damaged packaging, or product damage after receiving all packages, please follow the steps below to quickly contact our customer service team. We will do our best to resolve your issue.

## 1. Missing Parts

### Verify Parts:

1. Refer to the “Parts List” in the manual to verify the name, specifications, and quantity of the missing parts.
2. Take a clear photo of the parts list and mark the missing parts with detailed information, e.g., “Missing 5 pieces of M6×30mm screws.”

### Contact Us:

#### By Email:

Send an email with the subject line “Missing Parts Issue.” Include the following in the email:

- A description of the missing parts and a photo of the parts list.
- Order details (order number, purchase platform, purchase date).

## 2. Product or Packaging Damage

### If it affects normal use:

#### Steps:

1. Take clear photos or videos showing the damaged parts and the extent of the damage (multi-angle shots are recommended).
2. Email the photos/videos along with order details with the subject line “Product Damage Issue.”

#### Resolution:

After verification, we will arrange for a replacement part, product exchange, or refund as quickly as possible.

## **If it does not affect normal use:**

### **Steps:**

1. Contact our customer service team.
2. Provide a description of the damage and include relevant photos or videos.

### **Resolution:**

We will provide repair guidance or an appropriate compensation plan based on the specific situation.

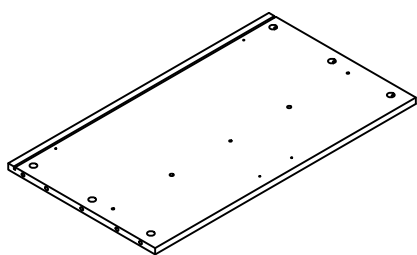
## **Helpful Tips**

### **To process your issue efficiently, please prepare the following information:**

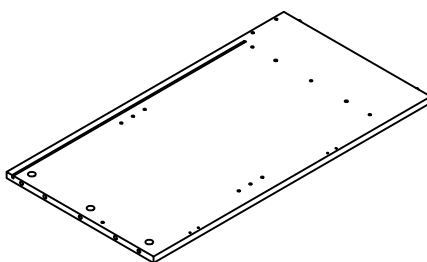
- Order details (order number, purchase platform, purchase date).
- Clear photos or videos.
- We are committed to providing quick and professional solutions, no matter the size of the issue, to ensure your satisfaction.

**Thank you for your trust and support!  
We hope you enjoy using our product!**

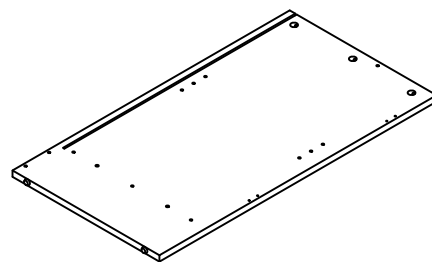
# BOARD IDENTIFICATION



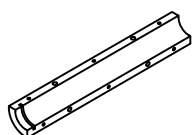
① (710x400x15mm)X1



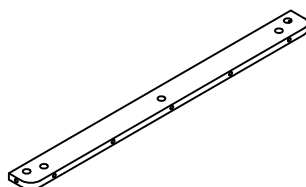
② (755x400x15mm)X1



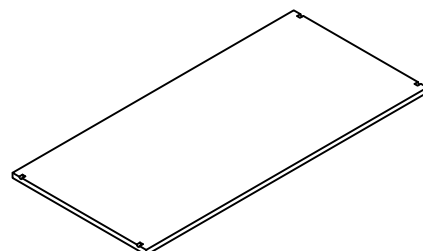
③ (755x400x15mm)X1



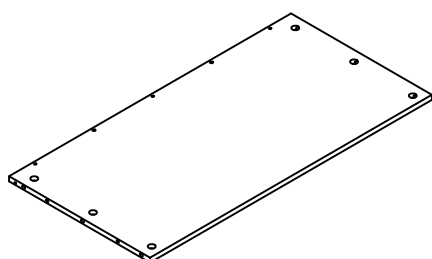
④ (400x64x27mm)X2



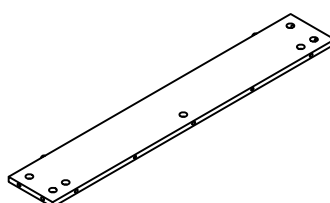
⑤ (768x60x15mm)X1



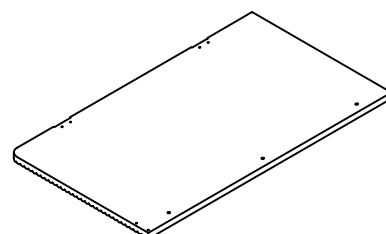
⑥ (766x364x12mm)X1



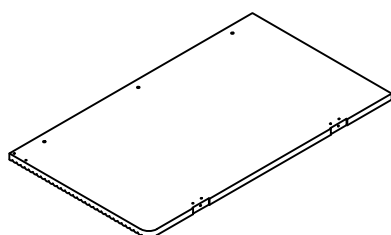
⑦ (768x384x12mm)X1



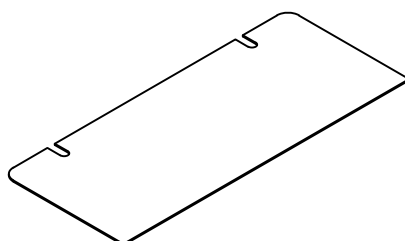
⑧ (768x120x12mm)X1



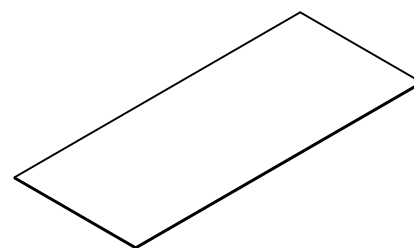
⑨ (662x379.5x15mm)X1



⑩ (662x379.5x15mm)X1

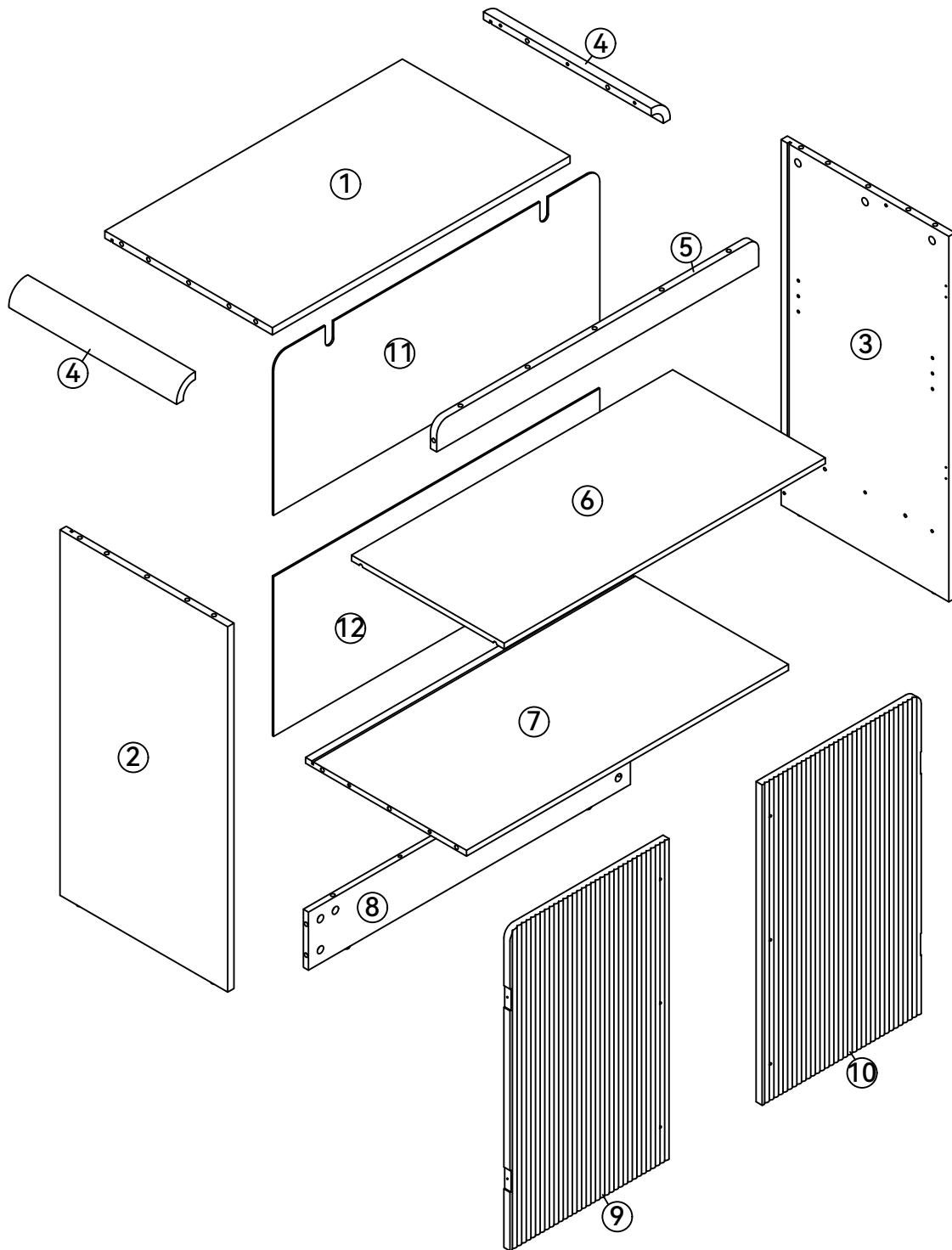


⑪ (778x330x3mm)X1


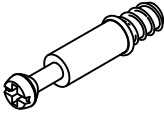

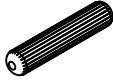


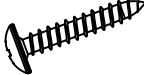
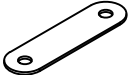
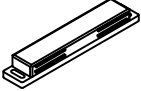
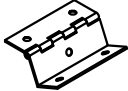

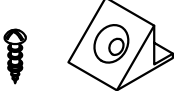

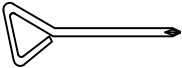

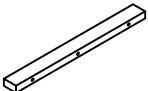


⑫ (778x330x3mm)X1

# Assembly Instructions

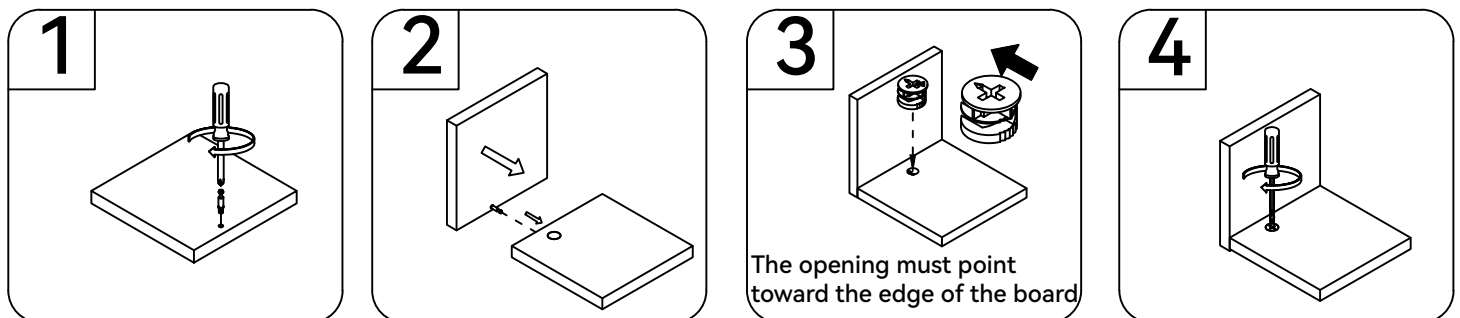


# HARDWARE PART LIST

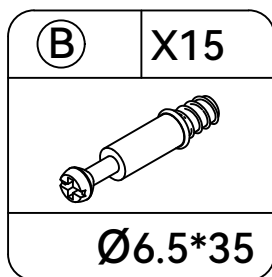
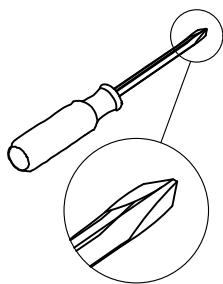
<b>A</b> X30+3  Ø15*9.5	<b>B</b> X30+3  Ø6.5*35	<b>C</b> X10+1  Ø8*30	<b>D</b> X6+1  Ø6*30
<b>E</b> X2+1  Ø3*14	<b>F</b> X24+2  Ø3*12	<b>G</b> X6+1  Ø4*25	<b>H</b> X2  45*12
<b>I</b> X1  96*20*14	<b>J</b> X4  41*18*16	<b>K</b> X4  Ø5*16	<b>L</b> X12+1  Ø3*14
<b>M</b> X1  70*30*5	<b>N</b> X1  70*30*5	<b>O</b> X2set  660*20*10	<b>P</b> X2  660*20*10

## Cam Lock Fastening System

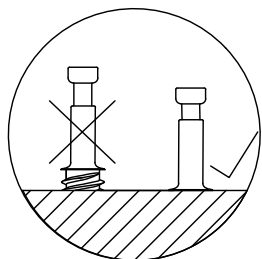
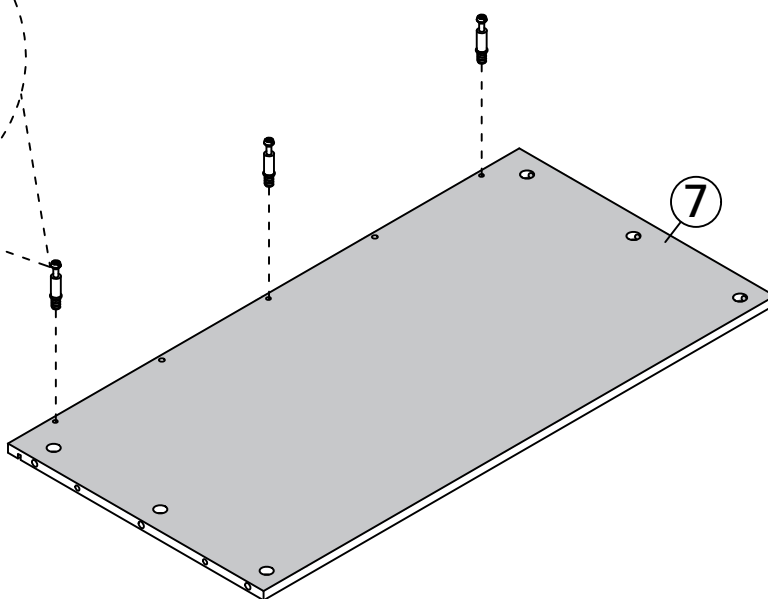
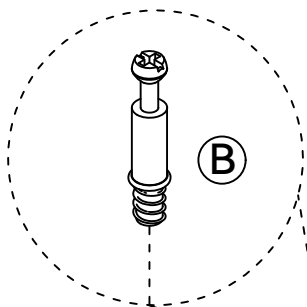
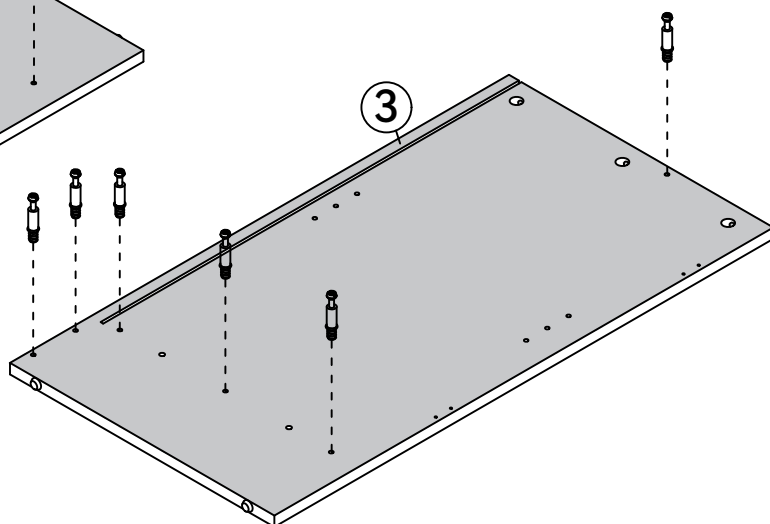
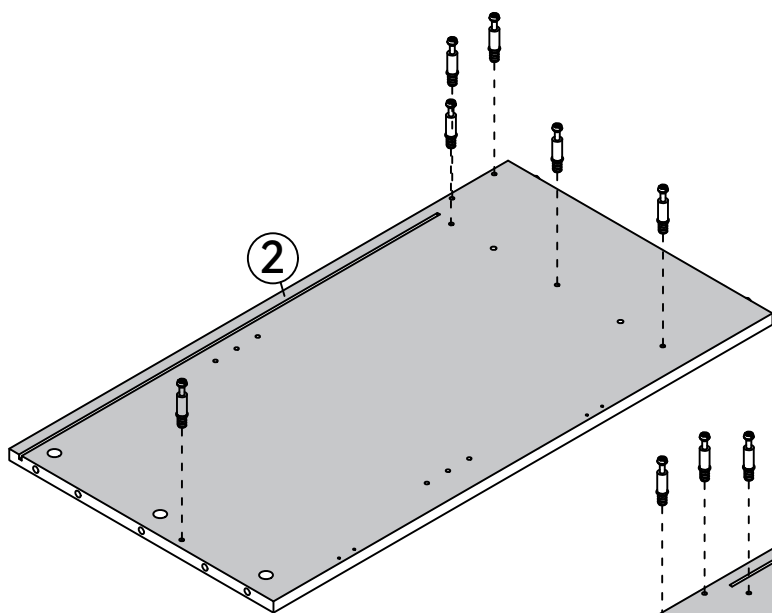
Insert the cam bolt into the hole first, then insert the cam lock and lock it.



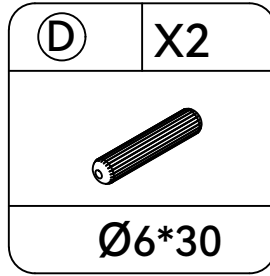
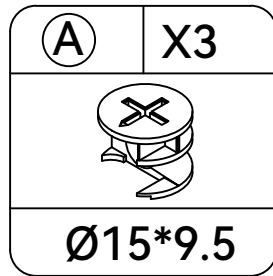
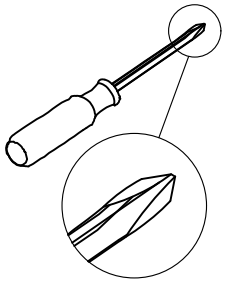
# STEP 1



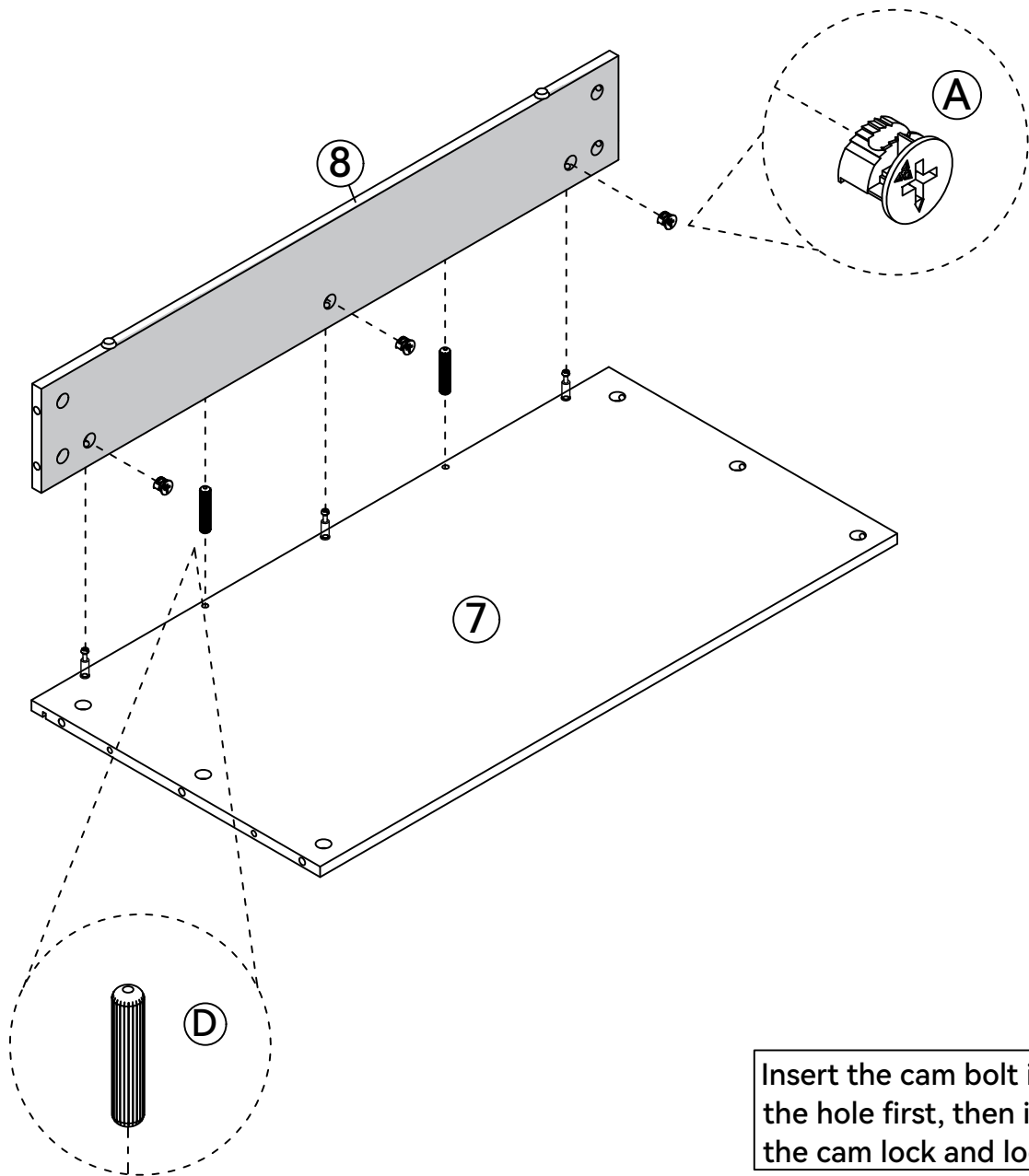
Install fitting (B) onto panels (2), (3), and (7).



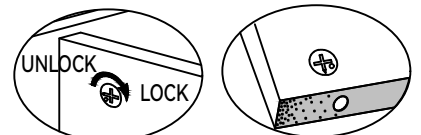
# STEP 2



Place fitting (D) into the holes on panel (7) and connect it with panel (8), then secure it with fitting (A).

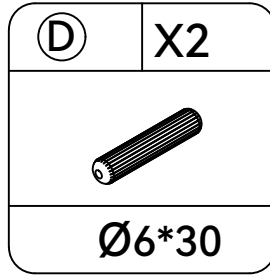
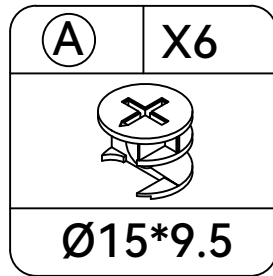
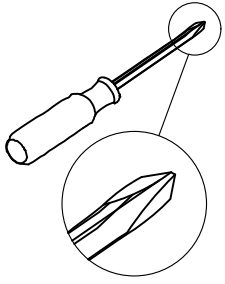


Insert the cam bolt into the hole first, then insert the cam lock and lock it.

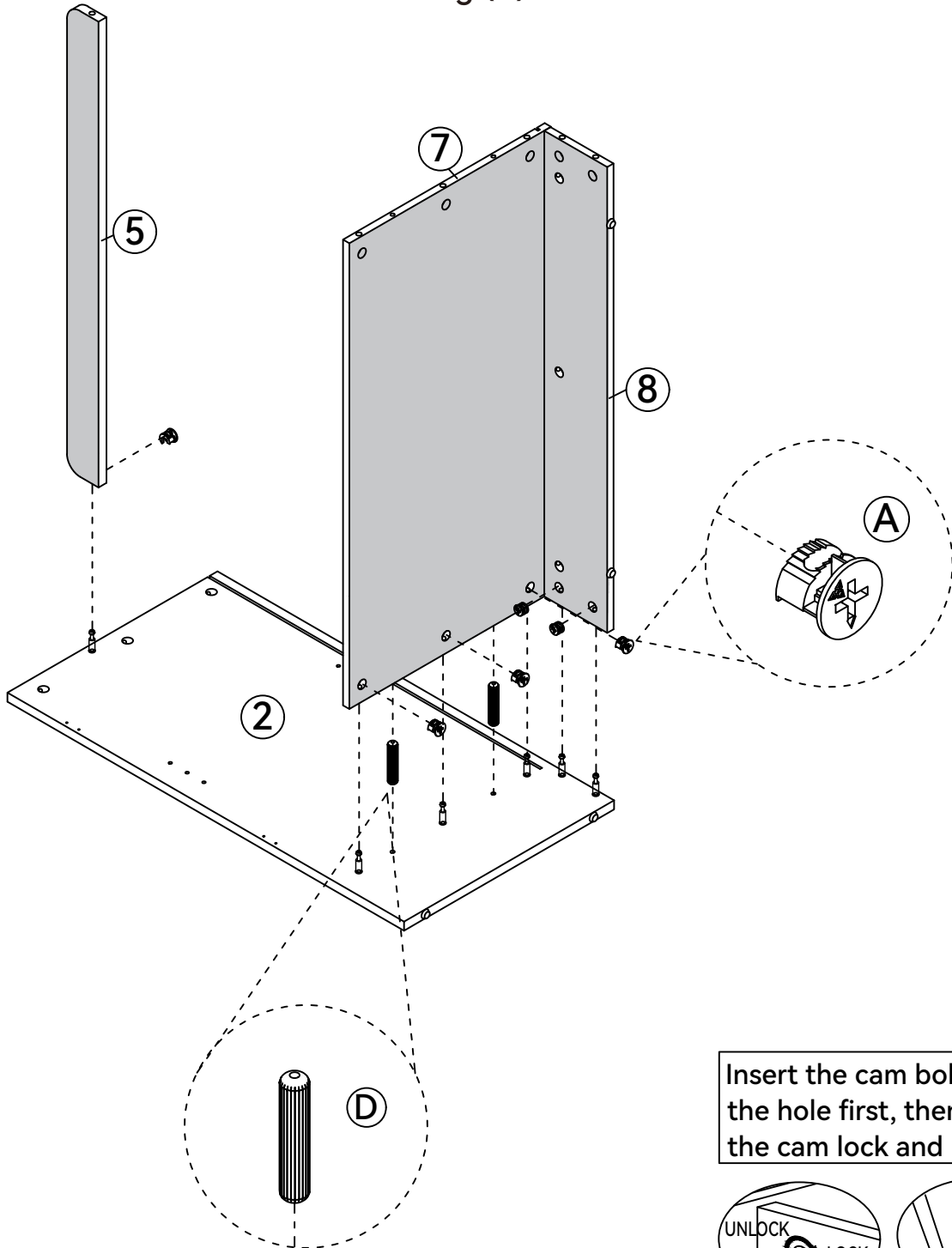


Proper orientation of CAM LOCK

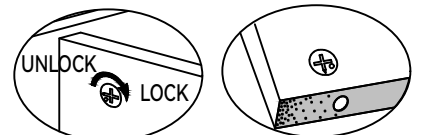
# STEP 3



Place fitting (D) into the holes on panel (7), then connect panels (5), (7), and (8) with panel (2), and secure with fitting (A).

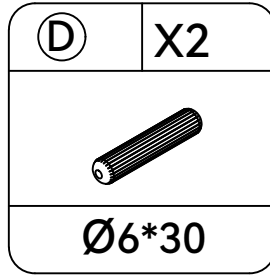
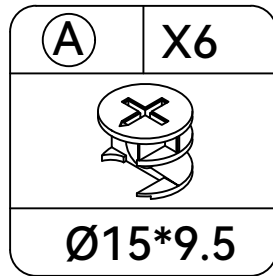
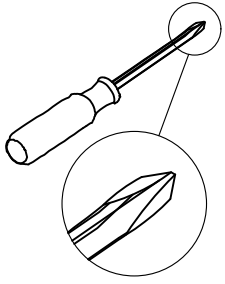


Insert the cam bolt into the hole first, then insert the cam lock and lock it.

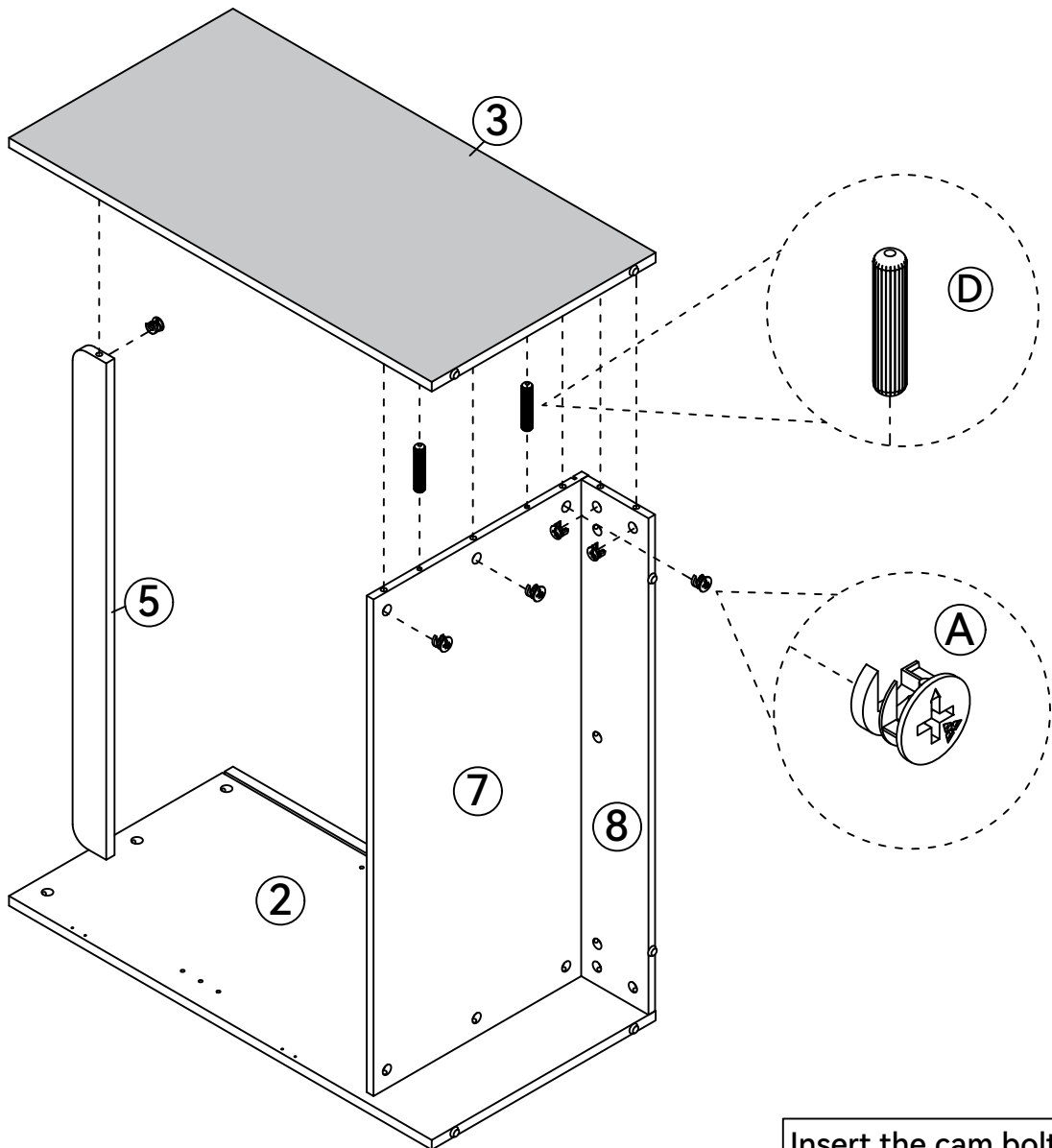


Proper orientation of CAM LOCK

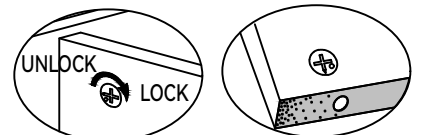
# STEP 4



Place fitting (D) into the holes on panel (7), then connect panels (5), (7), and (8) with panel (3), and secure with fitting (A).

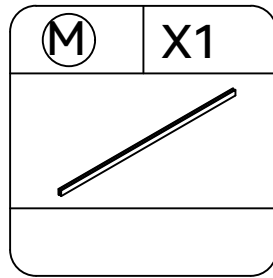


Insert the cam bolt into the hole first, then insert the cam lock and lock it.

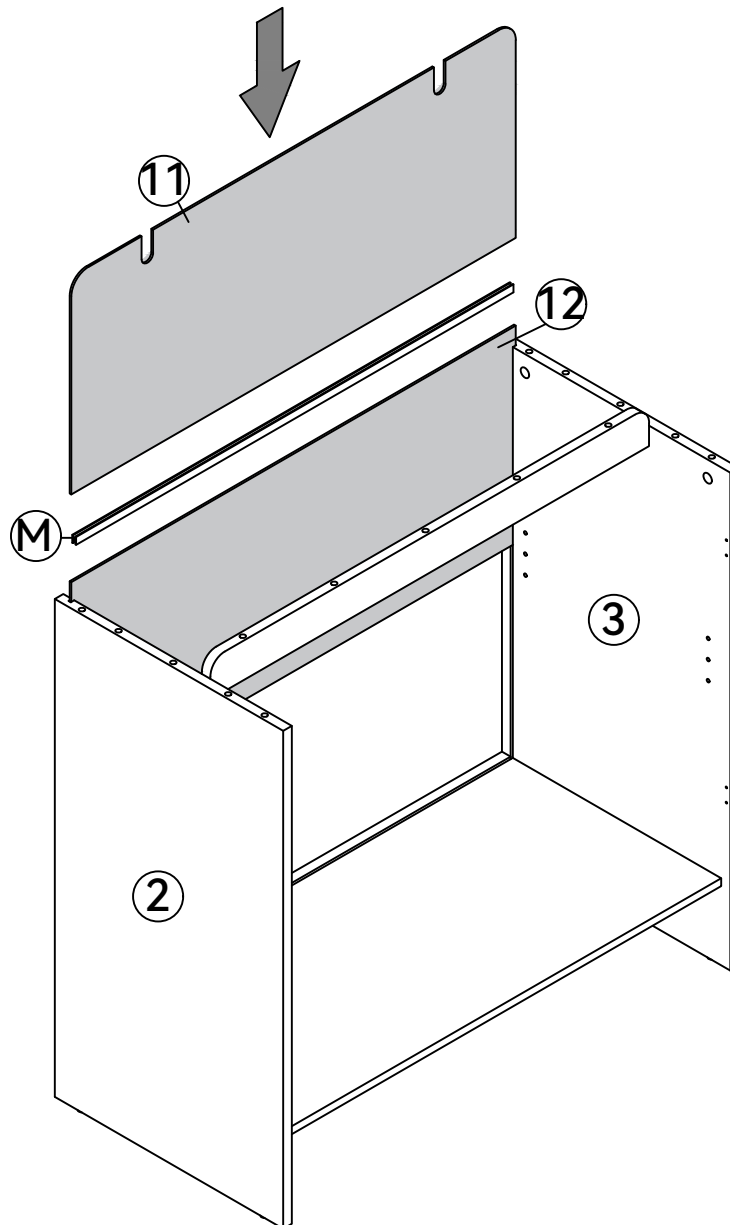


Proper orientation of CAM LOCK

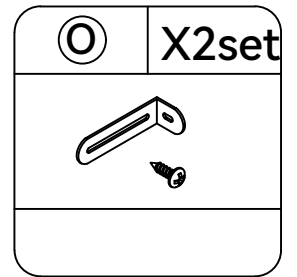
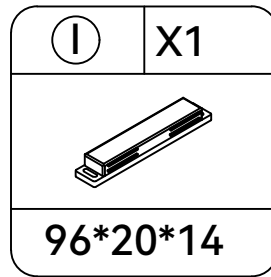
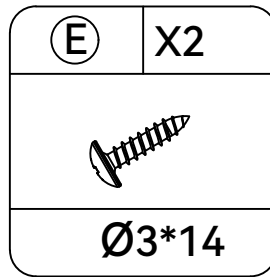
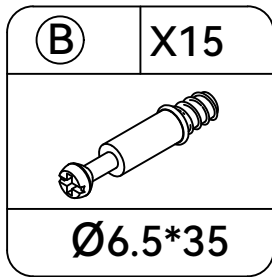
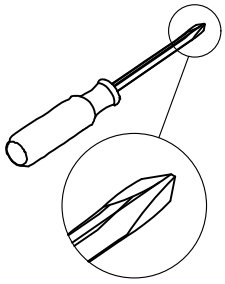
# STEP 5



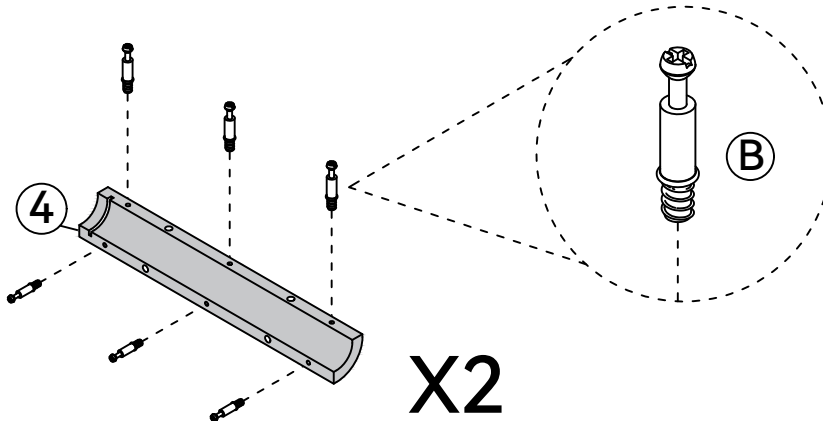
As shown in the diagram, first align panel (12) with the groove and insert it. Then use fitting (M) to lock panel (12) in place, and finally insert panel (11) into the groove.



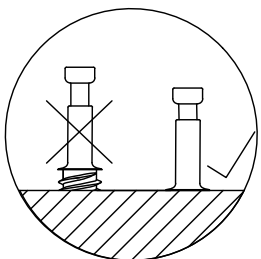
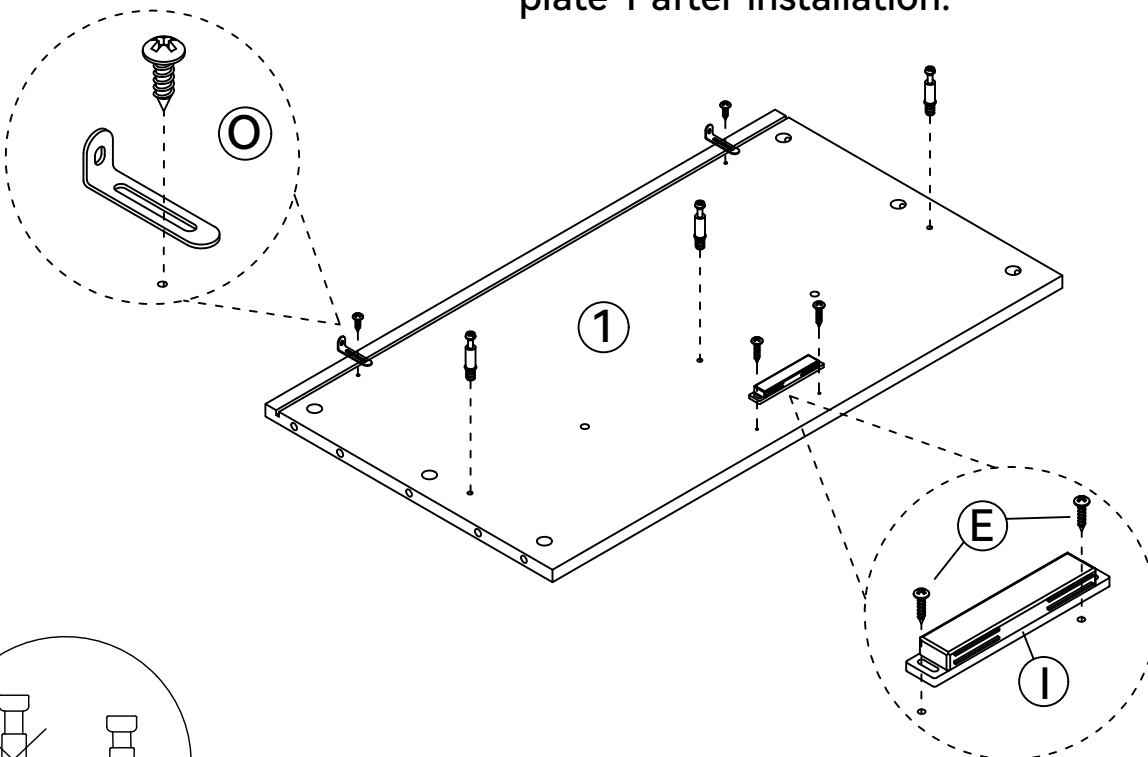
# STEP 6



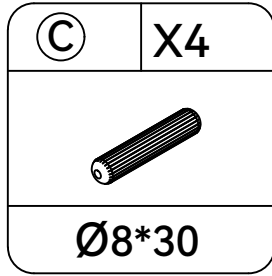
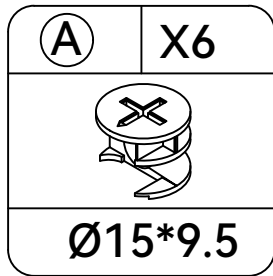
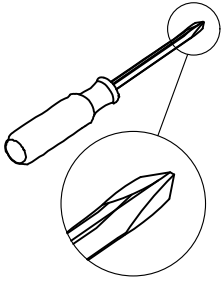
First, fix fitting (B) onto panels (1) and (4), then attach fitting (O) onto panel (1) at the position shown in the diagram, and use screw (E) to secure fitting (I).



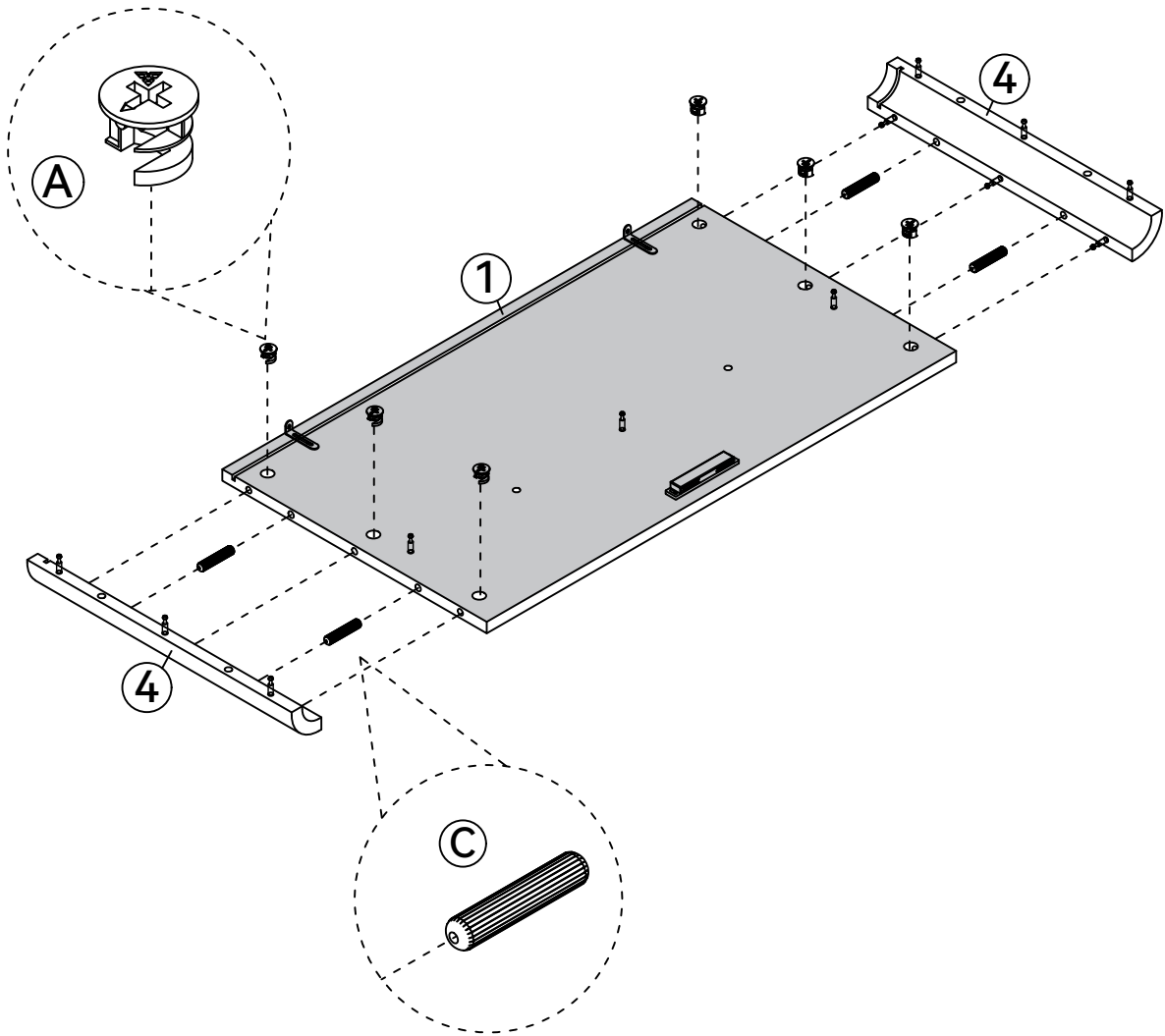
Note: Fitting O is flush with plate 1 after installation.



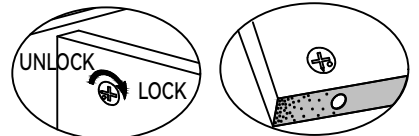
# STEP 7



Place fitting (C) into the holes on panel (1) and connect it with panel (4), then secure with fitting (A).

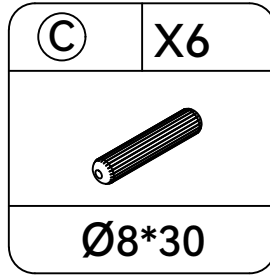
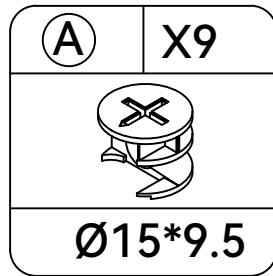
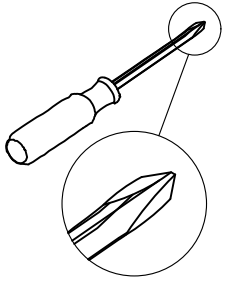


Insert the cam bolt into the hole first, then insert the cam lock and lock it.

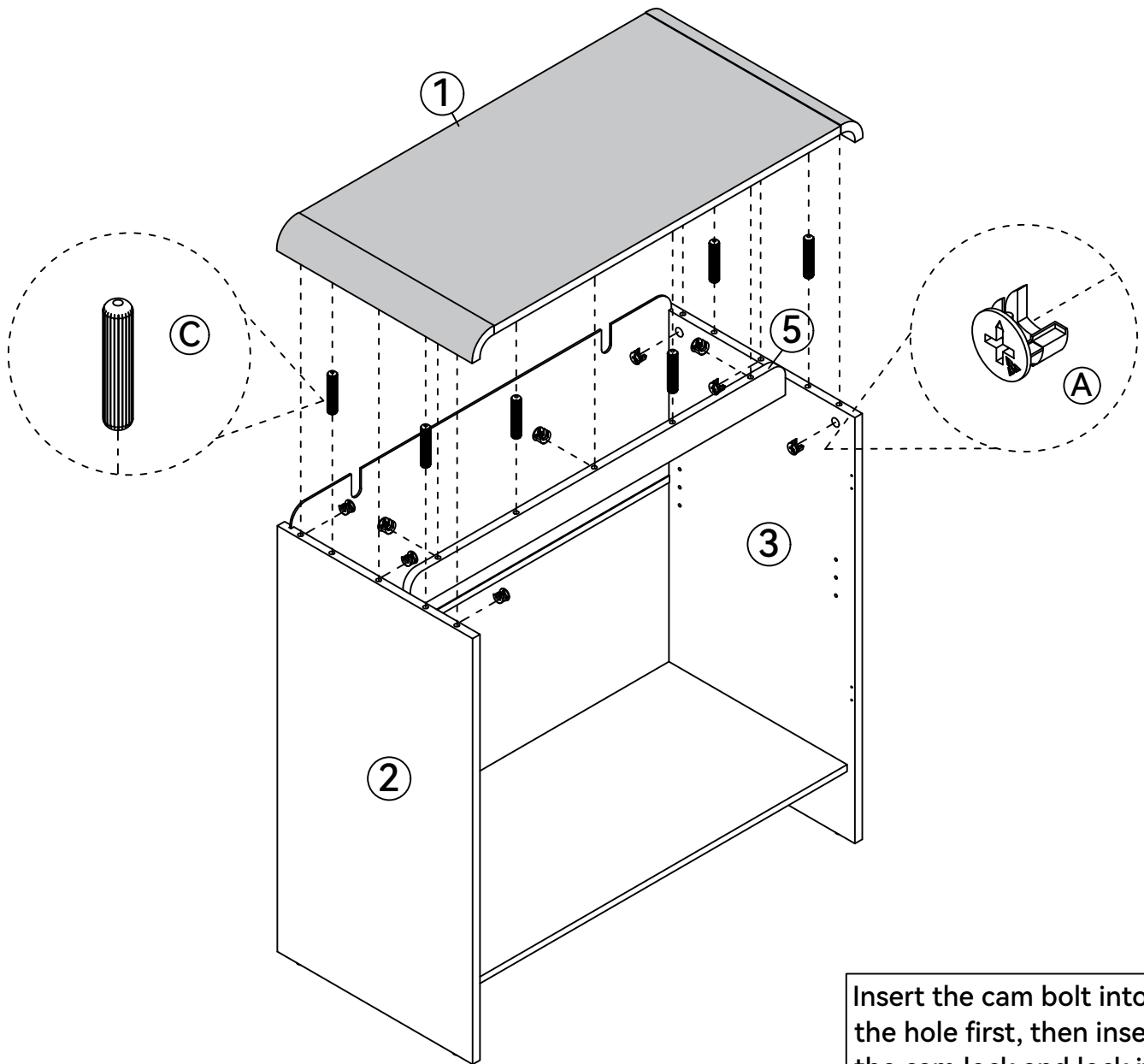


Proper orientation of CAM LOCK

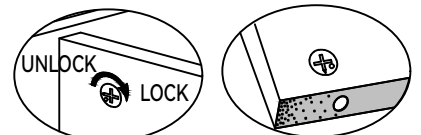
# STEP 8



Place fitting (C) into the holes on panels (2), (3), and (5), connect them with panel (1), and secure with fitting (A).

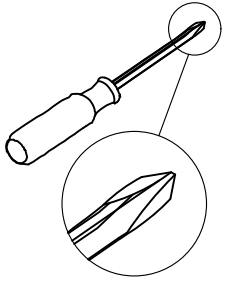


Insert the cam bolt into the hole first, then insert the cam lock and lock it.



Proper orientation of CAM LOCK

# STEP 9



(F)	X16
Ø3*12	

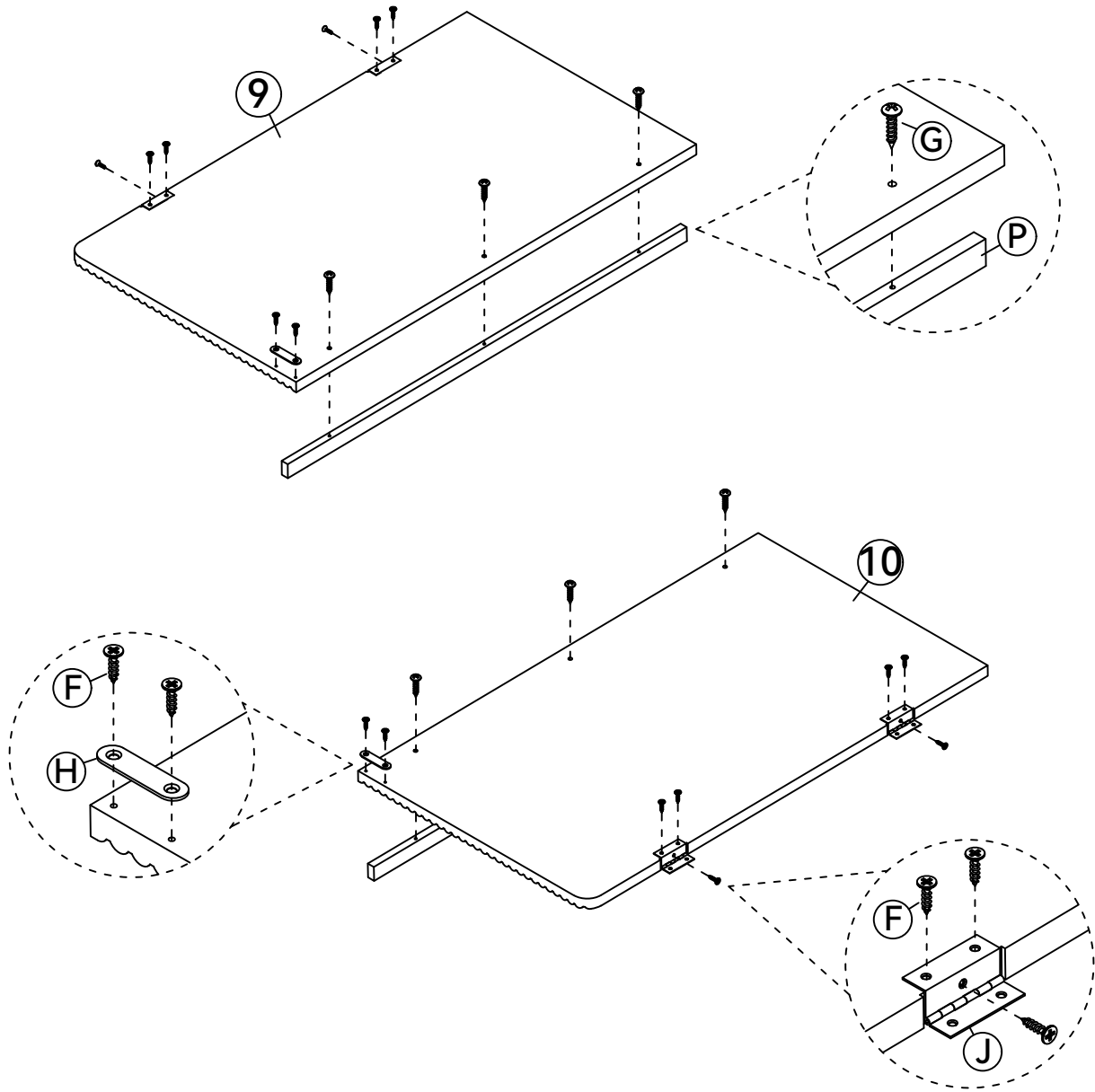
(G)	X6
Ø4*25	

(H)	X2
45*12	

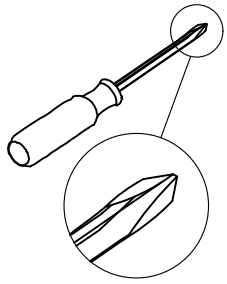
(J)	X4
41*18*16	


(P)	X2
660*20*10	

Use screw (F) to fix fittings (H) and (J) onto panels (9) and (10), then use screw (G) to pass through panels (9) and (10) and secure them to fitting (P).

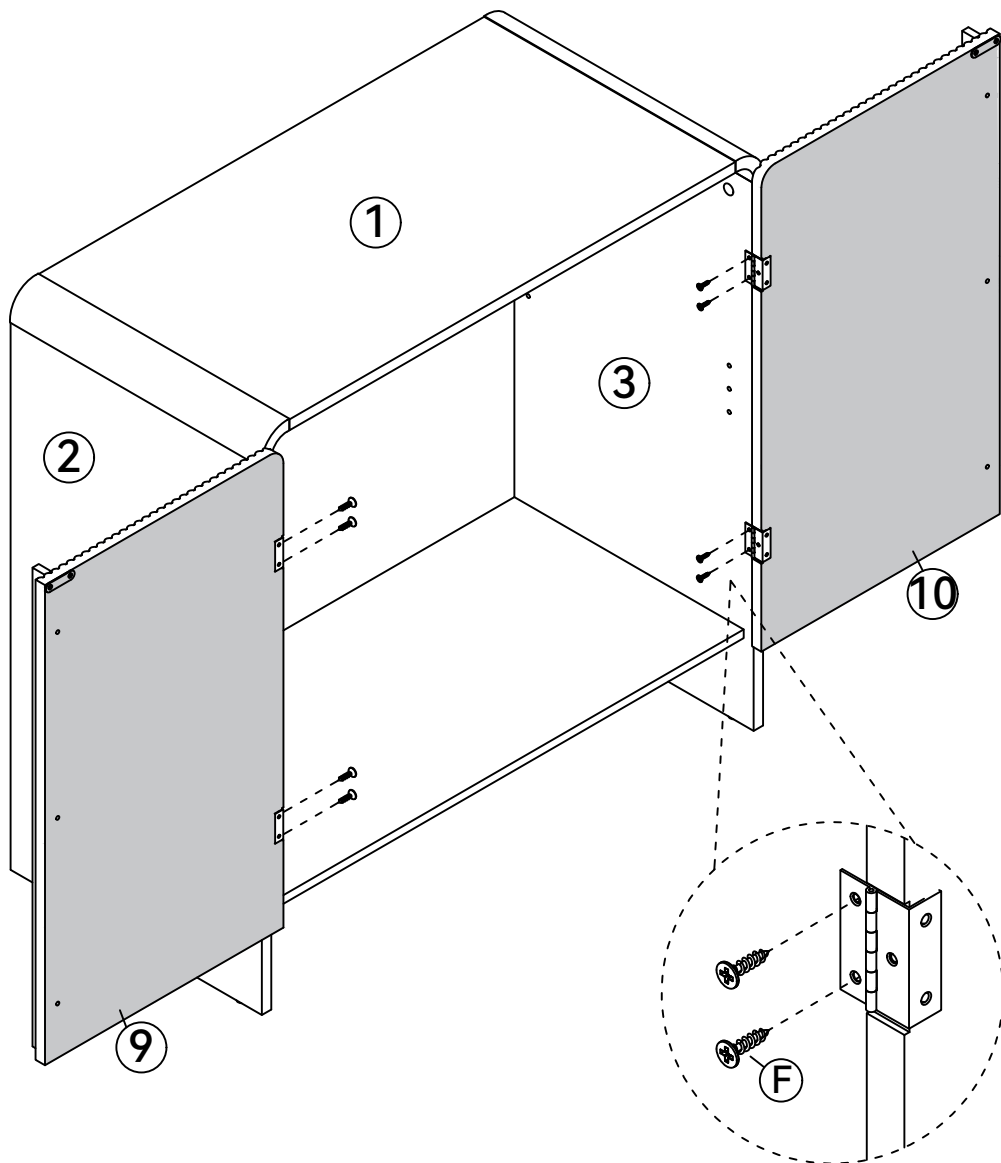


# STEP 10

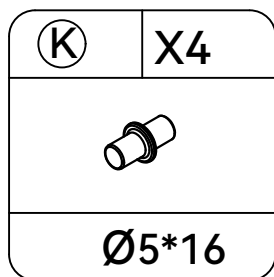


(F)	X8
	
Ø3*12	

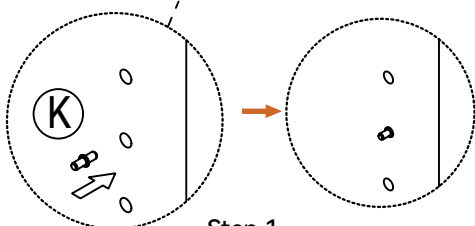
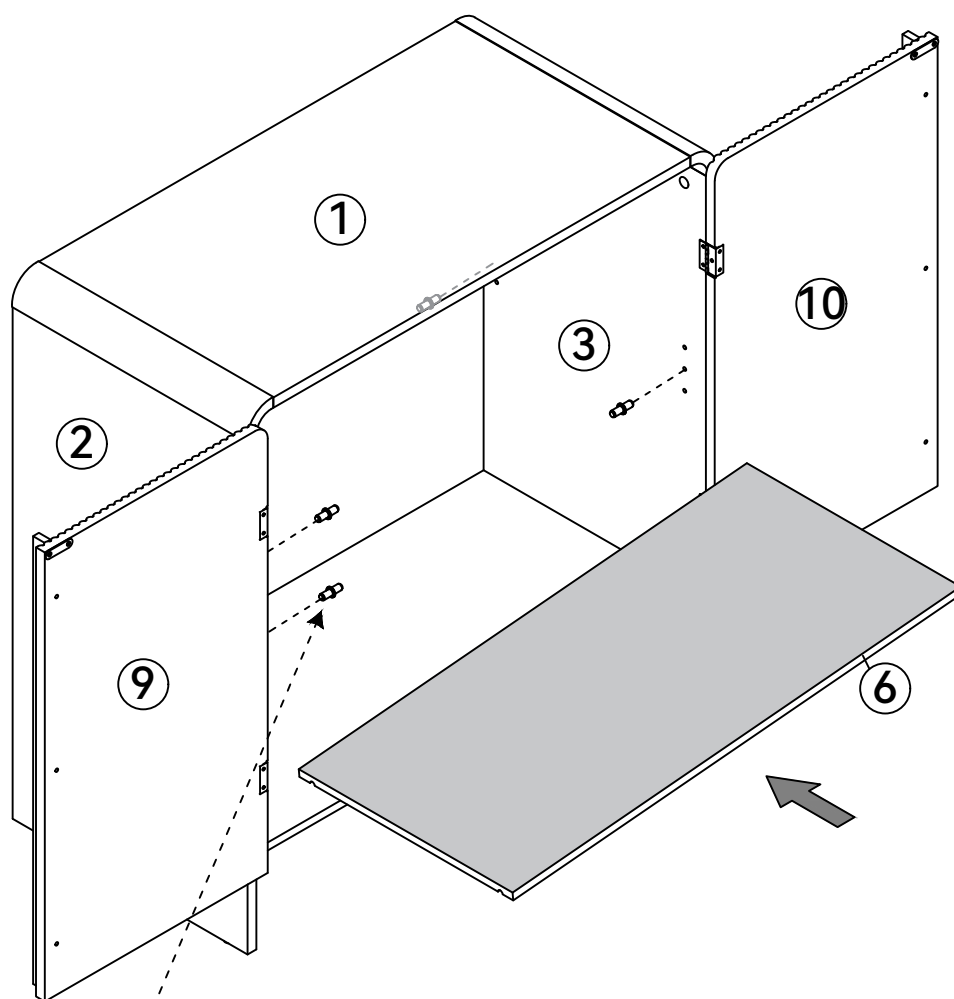
Use screw (F) to fix panels (9) and (10) onto panels (2) and (3), aligning with the corresponding holes.



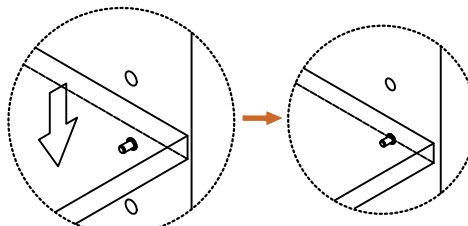
# STEP 11



Insert fitting (K) into the holes on panels (2) and (3) at the desired height, then place panel (6) inside the cabinet.

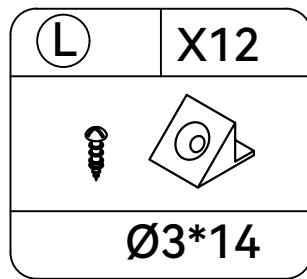
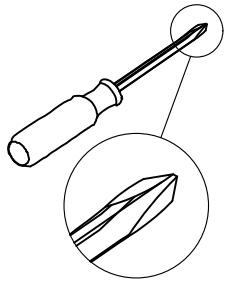


**Step 1**  
Select the desired height  
and put it in

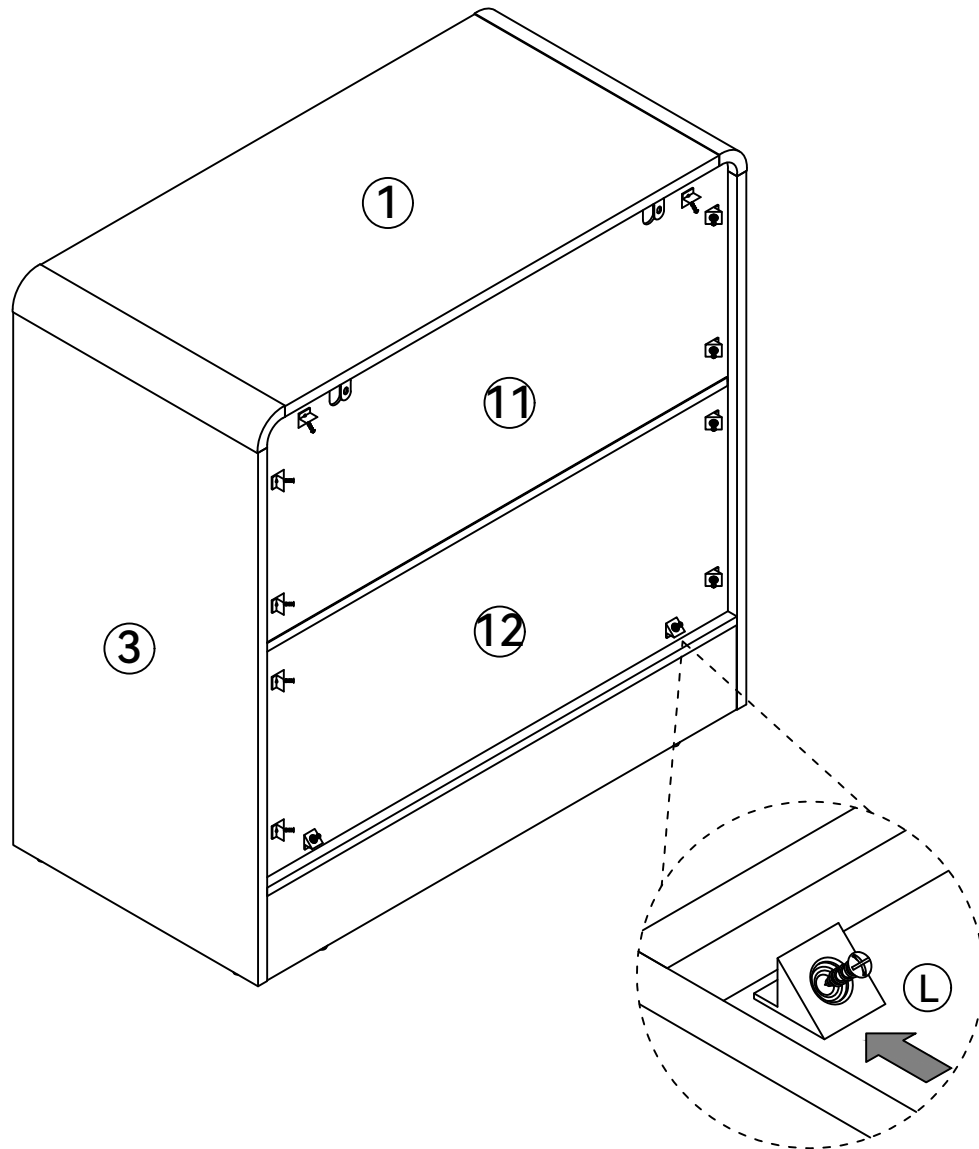


**Step 2**  
Aim the board gaps  
down

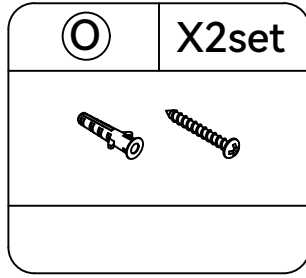
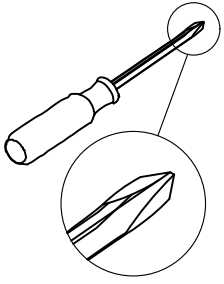
# STEP 12




Insert the plastic buckle into the slot of the back panel, turn the screw through the hole of the buckle, and lock it into place.

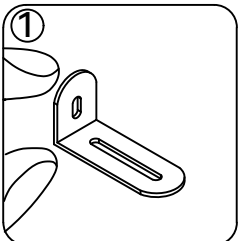


# STEP 13

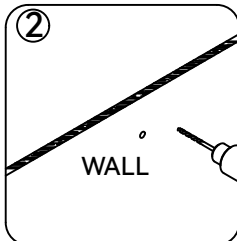


<b>⚠ WARNING</b>	
	<b>Children have died from furniture tipover. To reduce the risk of furniture tipover:</b> <ul style="list-style-type: none"><li>• ALWAYS install tipover restraint provided.</li><li>• NEVER put a TV on this product.</li><li>• NEVER allow children to stand, climb or hang on drawers, doors, or shelves.</li><li>• NEVER open more than one drawer at a time.</li><li>• Place heaviest items in the lowest drawers.</li></ul>
	
<b>This is a permanent label. Do not remove!</b>	

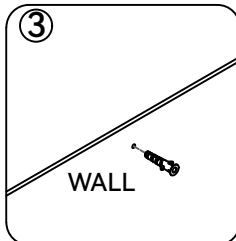
## Install the tipping restraint hard ware



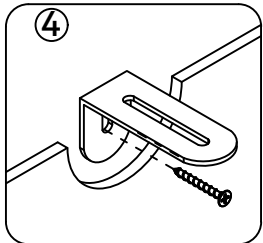
1. make mark on the wall.



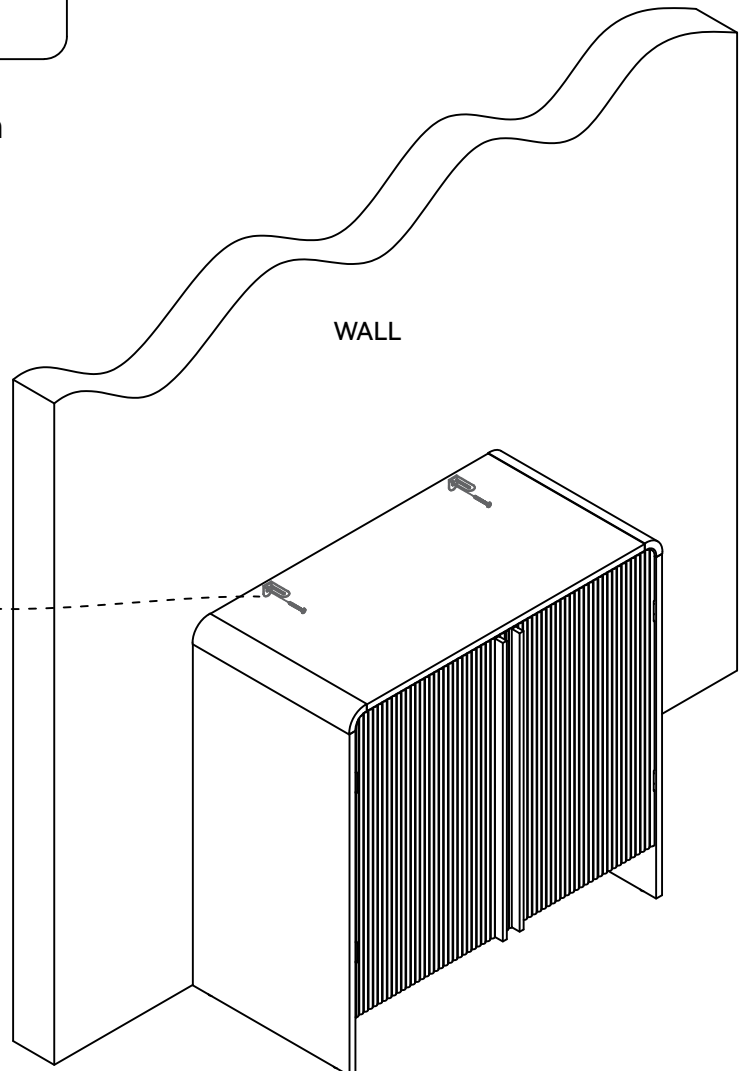
2. drill two Ø6 holes on the wall.



3. put two anchors in the holes.



4. fix the device on the wall by the long screws.



# | Sideboard

V1.0