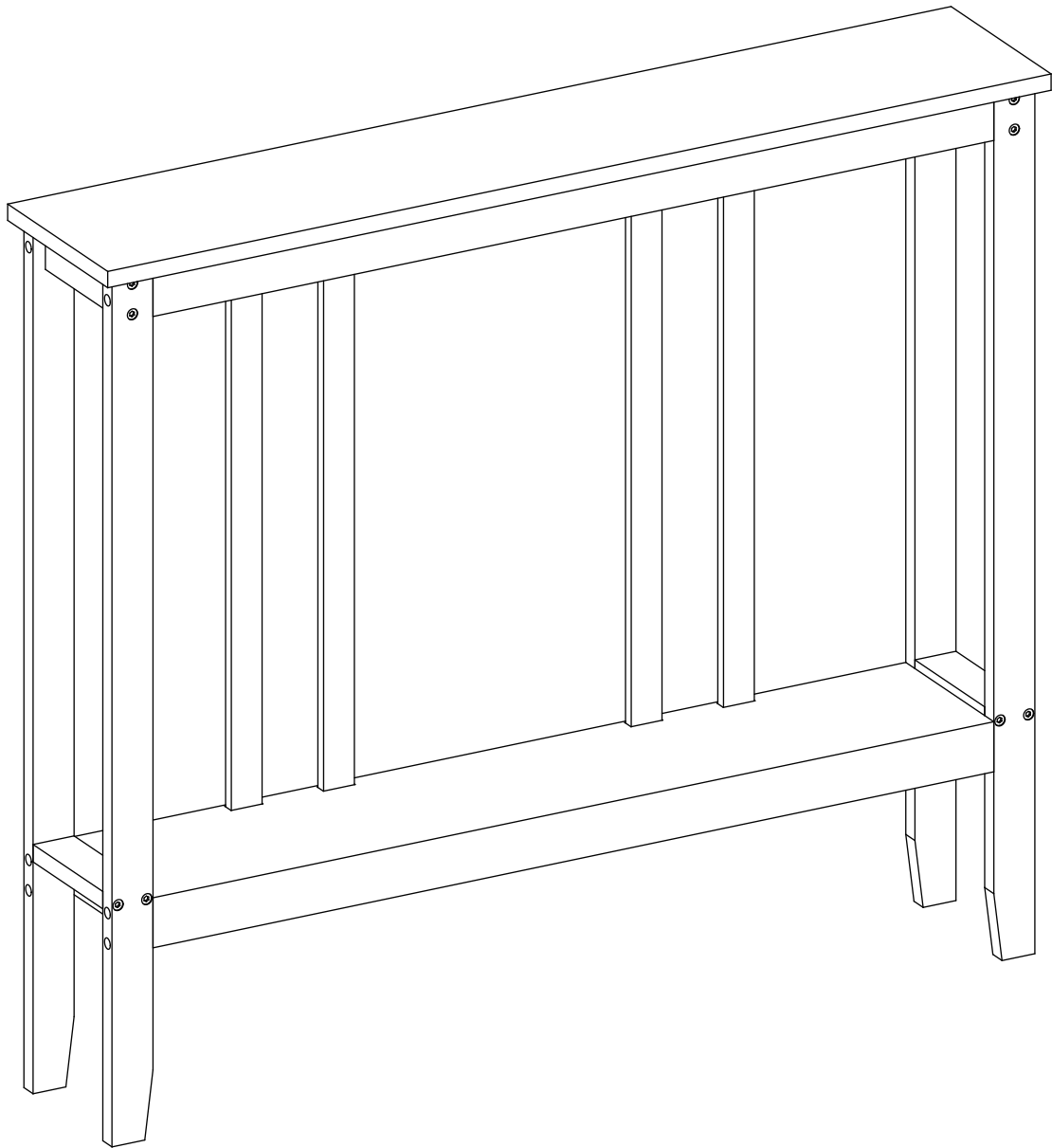


# Assembly Instructions



## **General Guidelines:**

1. Please read the following instruction carefully and use the product accordingly.
2. Please keep this manual and hand it over when you transfer the product.
3. This summary may not include every detail of all variations and considered steps. Please contact us when further information and help are needed.

## **Notes:**

1. Please strictly follow the assembly steps to assemble the product. If there are any defective or missing parts after unpacking, please cease assembly immediately and contact us.
2. Place the product on a flat floor for use.
3. Children are not allowed to climb or stand on the product to avoid personal injury caused by the toppling.
4. Keep plastic packing bags out of reach of children to avoid any potential danger, such as suffocation.
5. Avoid sharp objects and corrosive chemicals to prevent damage to the product or the user.
6. Periodically inspect screw tightness while the product is in use. If necessary, re-tighten to ensure structural integrity

## **Warnings:**

Never use the product if any part is missing or defective to avoid potential hazards. Children are not allowed to stand on, climb on, drag, or play on the product to avoid serious bodily injury.

### **One Year Limited Warranty**

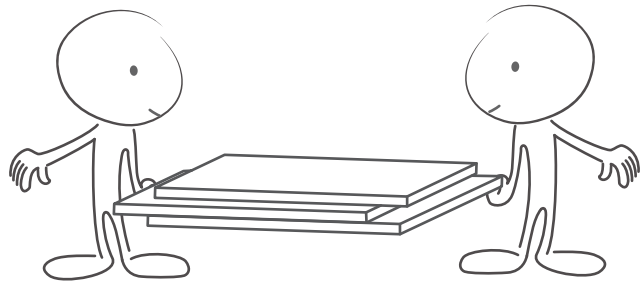
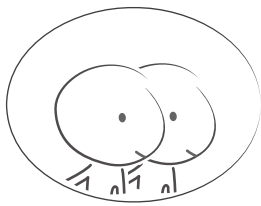
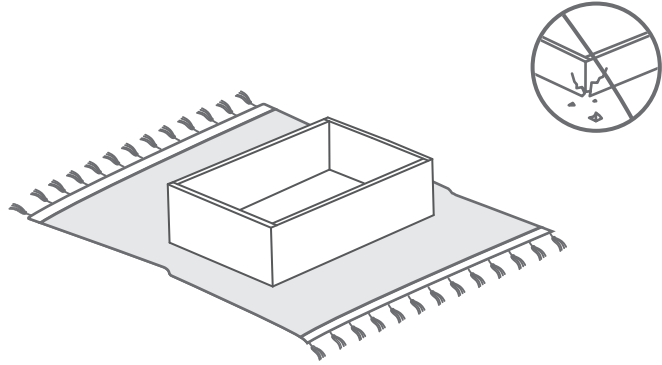
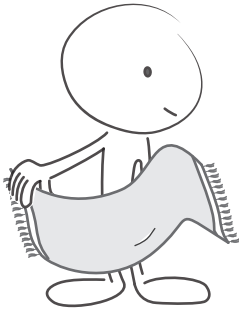
We warrant to the purchaser of this product, for the period of one (1) year following the date on which Purchaser purchases the product, that the product shall be free of defects in design, assembly, material, or workmanship.



If you have any problems or questions, please contact our Consumer Care

# ATTENTION

## Assembly Instructions



- Please feel free to contact us by email if you have any questions or concern. We will reply you within 24 hours.



- Please place the product in a dry environment to avoid it. Exposure to sunlight, rain, etc; Use a soft dry cloth for wiping;



KEEP DRY



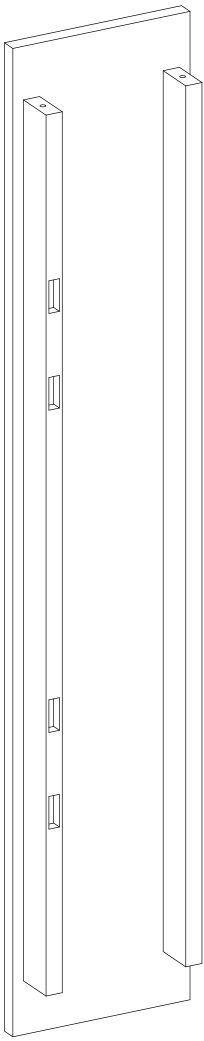
NO SUN EXPOSURE



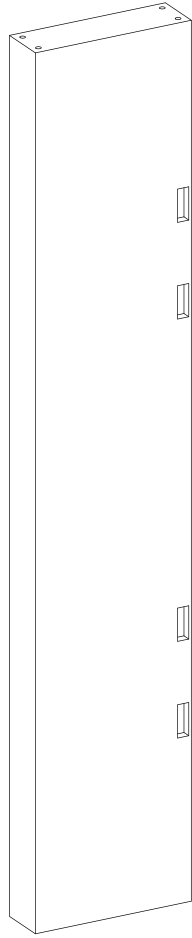
SOFT DRY CLOTH

# PARTS LIST

Assembly  
Instructions



**1** x1



**2** x1



**3** x2



**4** x2

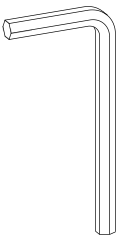


**5** x4

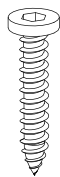


**6** x4

## ACCESSORY

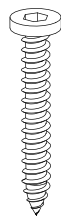


**A** x1



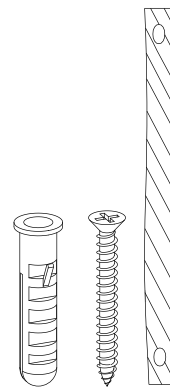
35mm

**B** x16+1

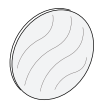


50mm

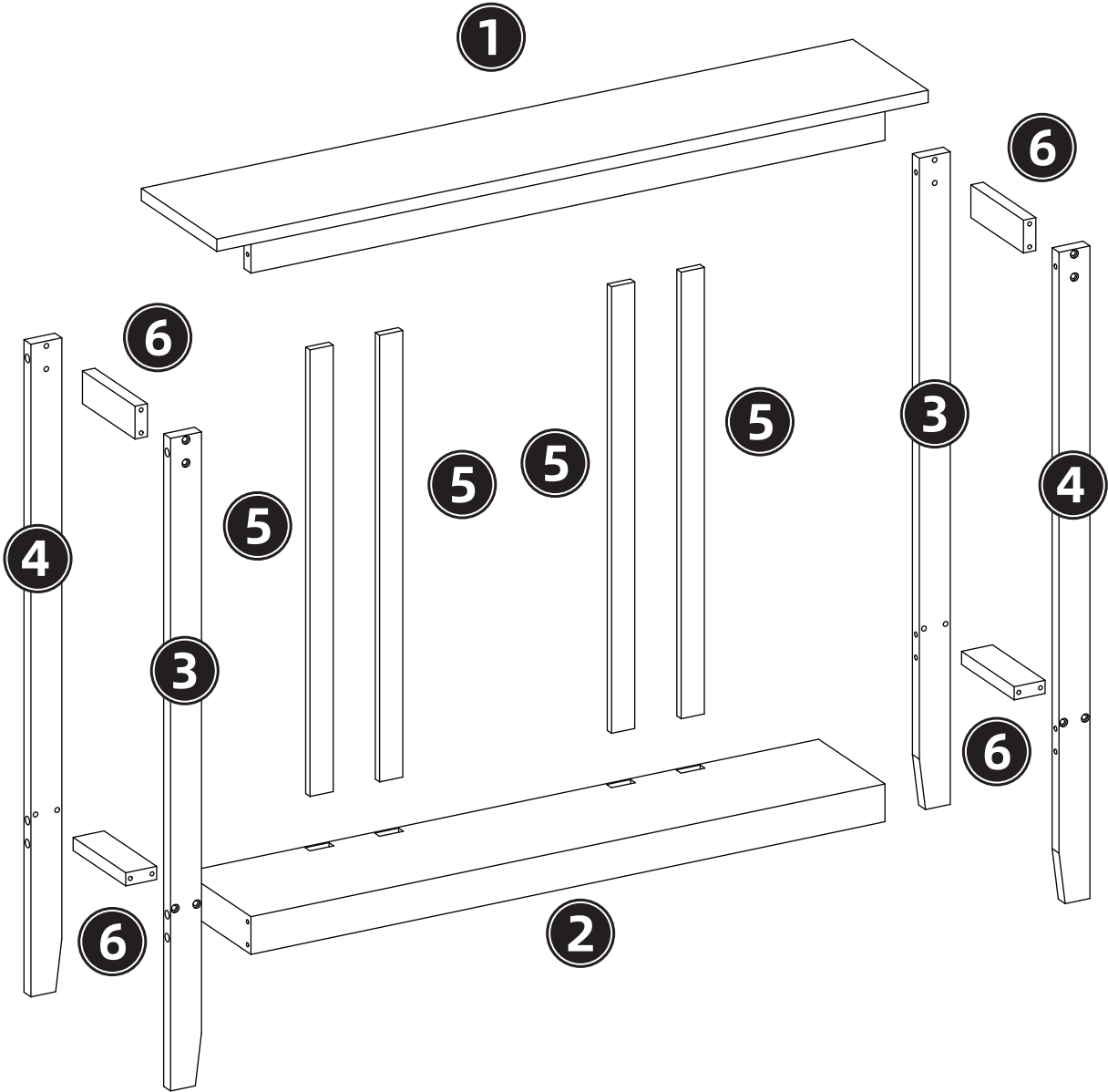
**C** x12+1



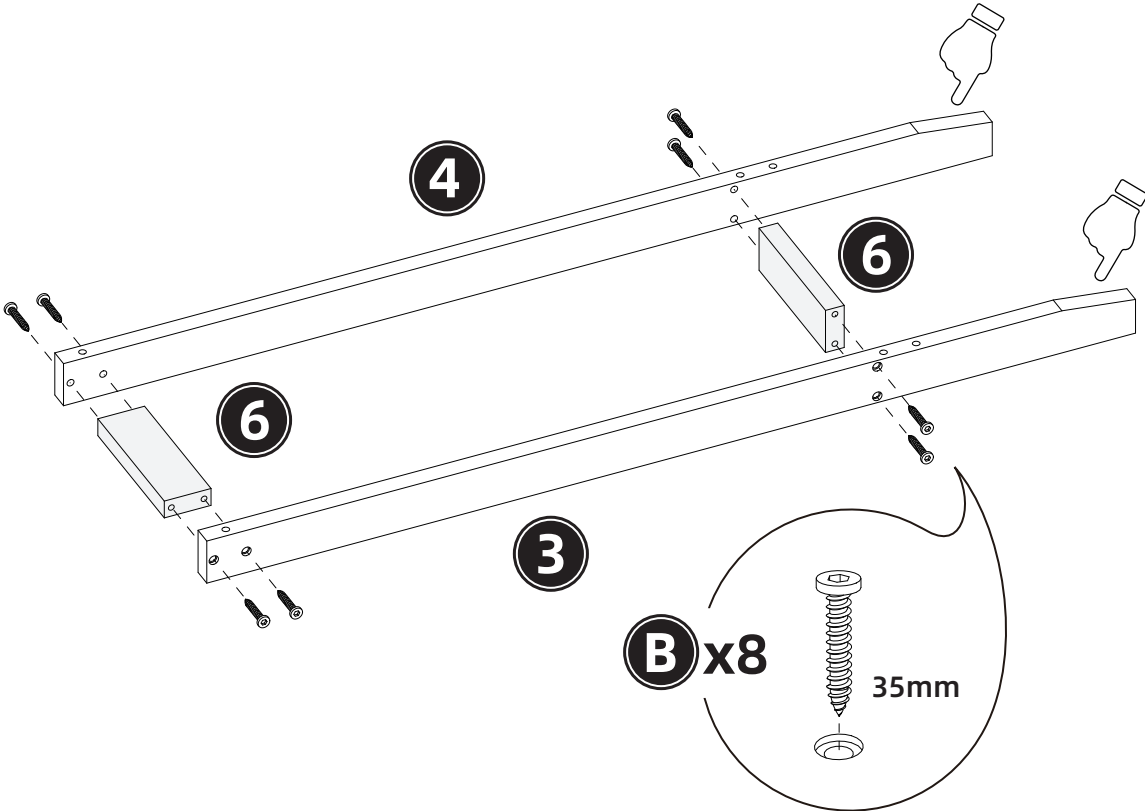
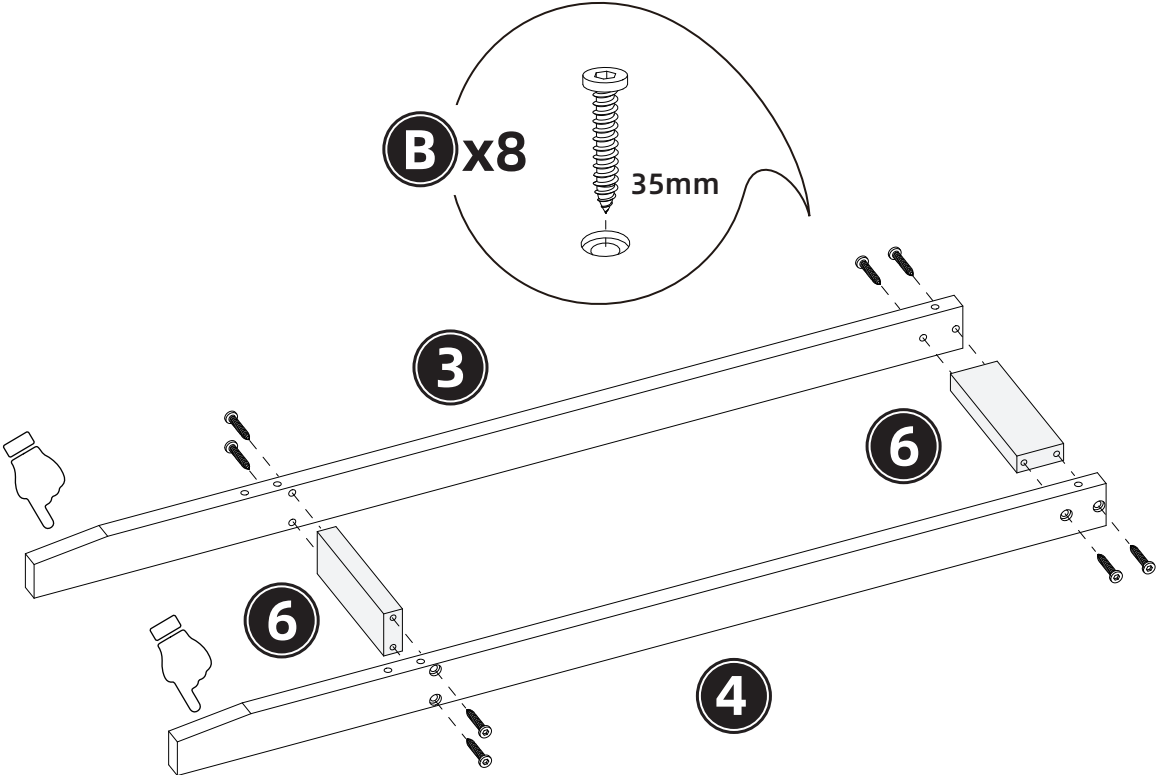
**D** x2



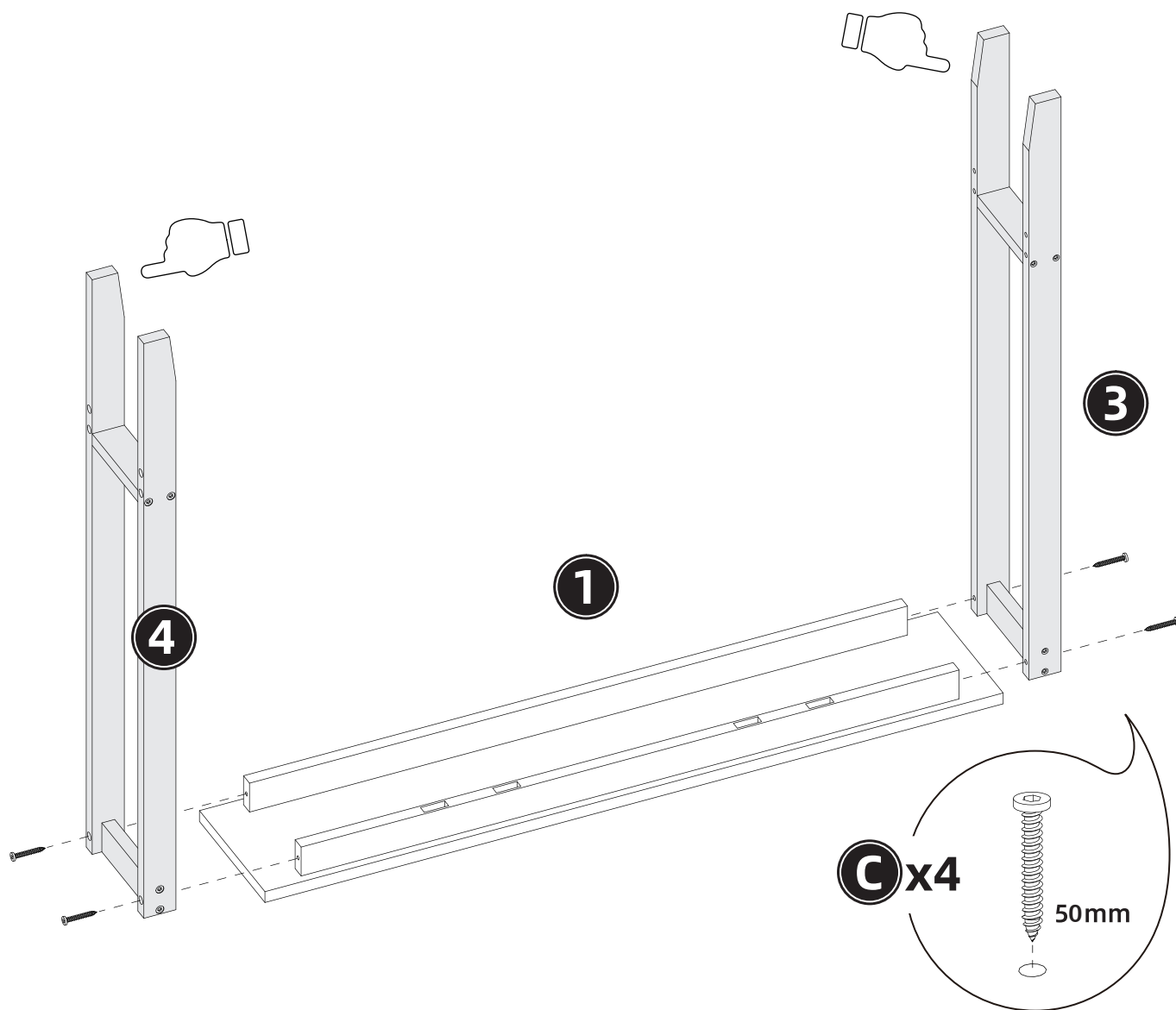
**E** x28



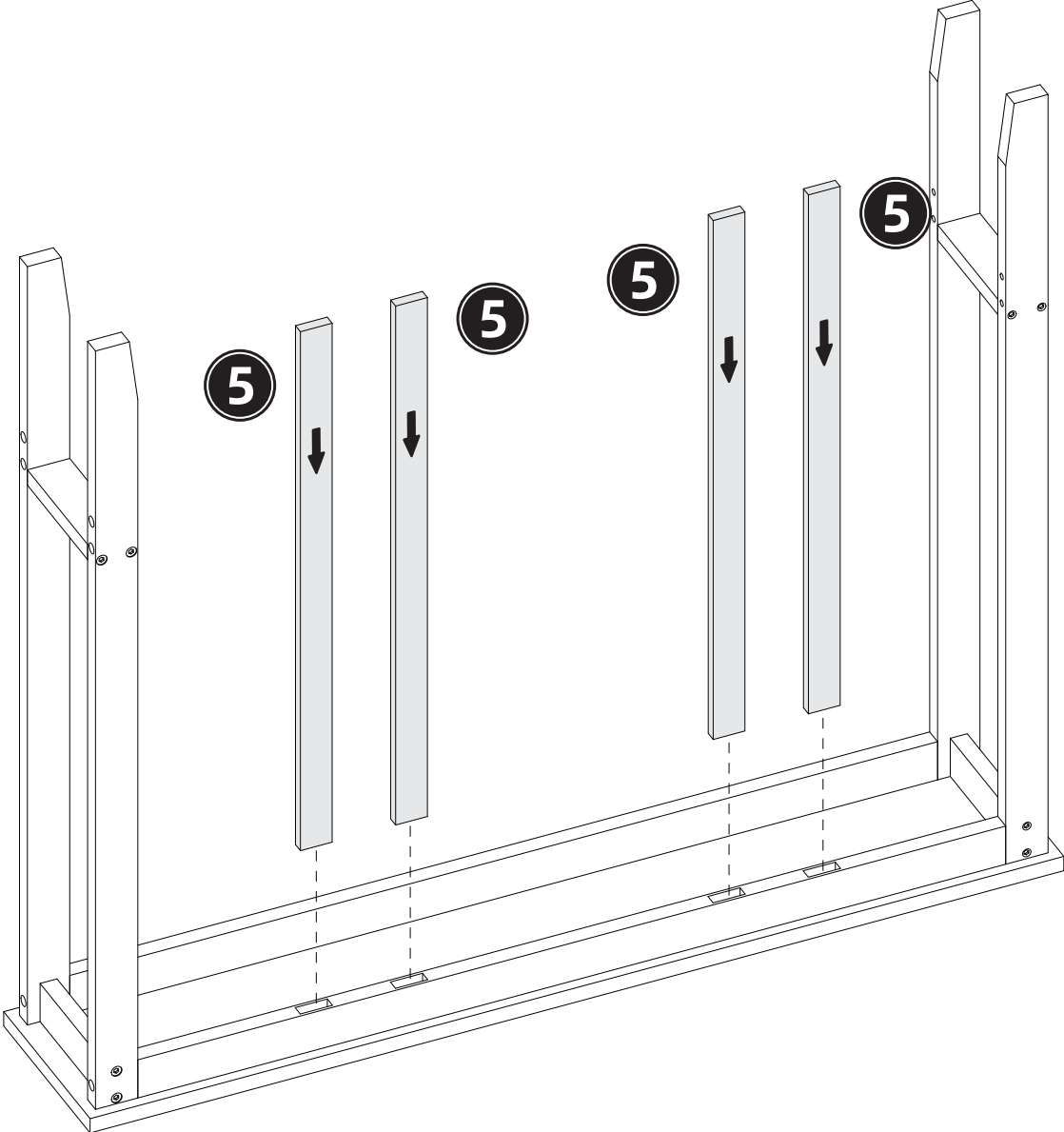
# Step 1



# Step 2



# Step 3



# Step 4

