

IMPORTANT:

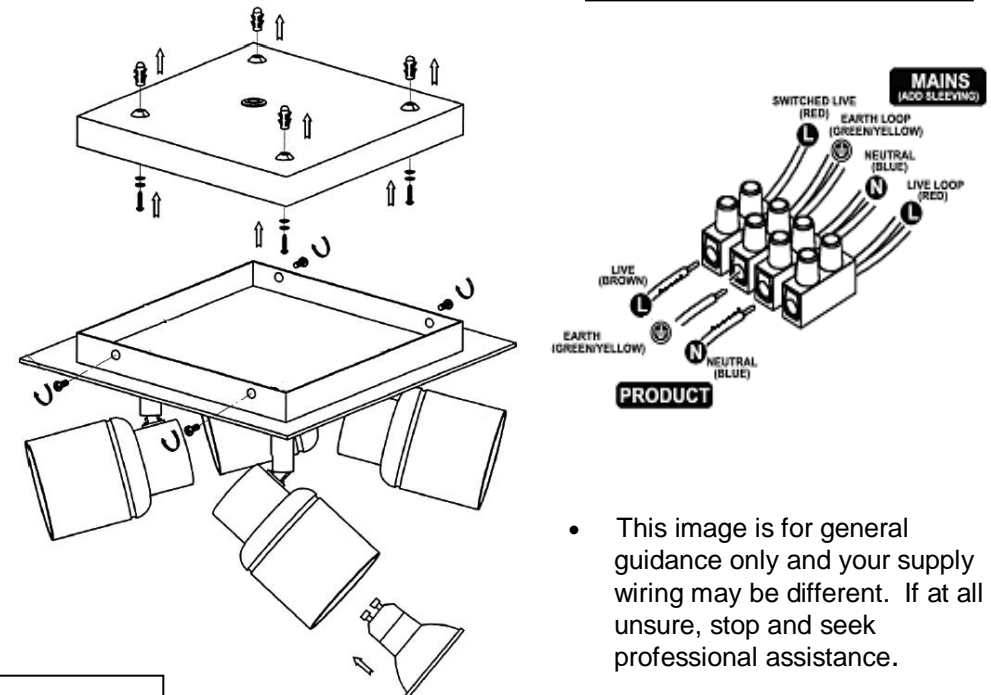
- This product must be installed in accordance with the national building regulations. If in doubt consult a competent electrician.
- This product MUST be earthed.
- This item contains glass ~ **Take care !**
- Ensure the power is switched **off** at mains control unit [consumer unit or 'fuse-box'].
- Unpack, check and familiarise yourself with all components and check for transit damage.
- Keep packaging until satisfied and retain this leaflet for future reference.
- Do not alter this product in any way as this will invalidate your warranty and could pose a safety hazard.
- Do not mount the fitting in a damp atmosphere
- Be aware of any sunken pipes or wiring before choosing a location
- The nearest illuminated surface must be at least 0.5m distance from front of bulbs
- Ensure there is a sufficient power supply
- Ensure sufficient access to the fitting to enable safe maintenance
- Once fitted switch on the power at the fuse box and light switch.
- If no bulbs work, check the power supply and the electrical connections in the ceiling cup.
- All electrical connections should be covered by suitable insulation tape

WARNING:

Before proceeding, make sure the ceiling light is switched OFF and the electricity is switched OFF at the mains supply board

- Unscrew the four side screws to remove bracket from the ceiling plate
- Drill suitable holes into the ceiling, ensuring they are located in a joist also ensuring that they align with the holes in the bracket. Do **not** rely on plasterboard to support the weight of the fitting. Screw the bracket onto the ceiling using suitable screws.
- While supporting the weight of the fitting, connect the mains power cable to the terminal block. Ensure that both Earth wires (from the metal bracket and from the plate) are connected to the mains supply wire via the terminal block. See diagram below.
- Ensure that all connections are tight and that no loose strands are left out of the terminal connector block. When complete, wrap the terminal block in insulating tape, so that it is completely covered.
- Replace the two screws to secure the fitting.
- Insert bulbs into the lamp-holder and twist clockwise to lock into place.
- Switch off the fitting and allow cool before replacing the bulbs.
- Do **not** exceed the maximum wattage as stated on the product.

CONNECT TO THE MAINS:



IP44

- This image is for general guidance only and your supply wiring may be different. If at all unsure, stop and seek professional assistance.