

ASSEMBLY INSTRUCTIONS

STEP 1 :

Place the top wood upside down & use a piece of carton underneath to protect the wood surface

DESK NATURAL

TOOLS :

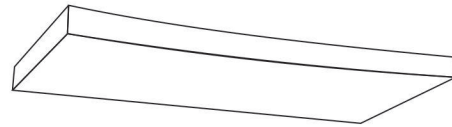
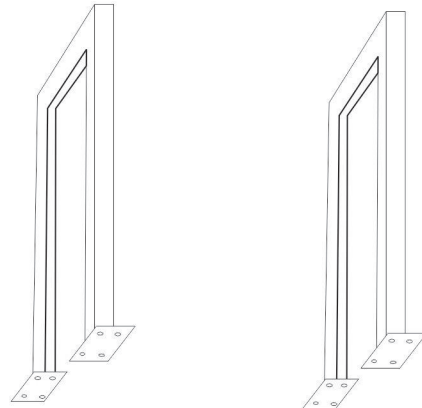


Wrench

MATERIAL

QTY	DESCRIPTION
-----	-------------

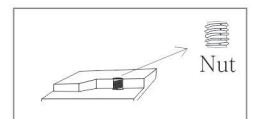
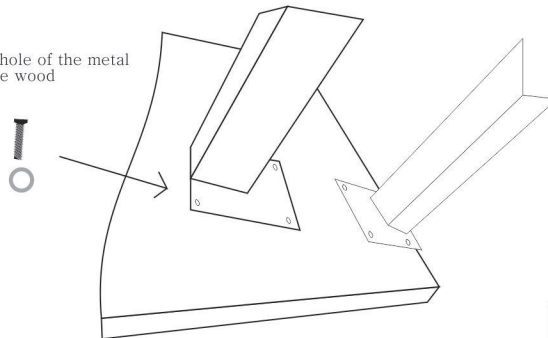
16	A (M.8 x 20) BOLT
16	B (M.8) WASHER
1	Top wood
2	Legs



STEP 2 :

Place the legs on metal nut provided and use bolt and washer to attach each leg to the top wood

Insert:
bolt (A) into the hole of the metal
plate through the wood



Insert nut are already
placed inside the top wood