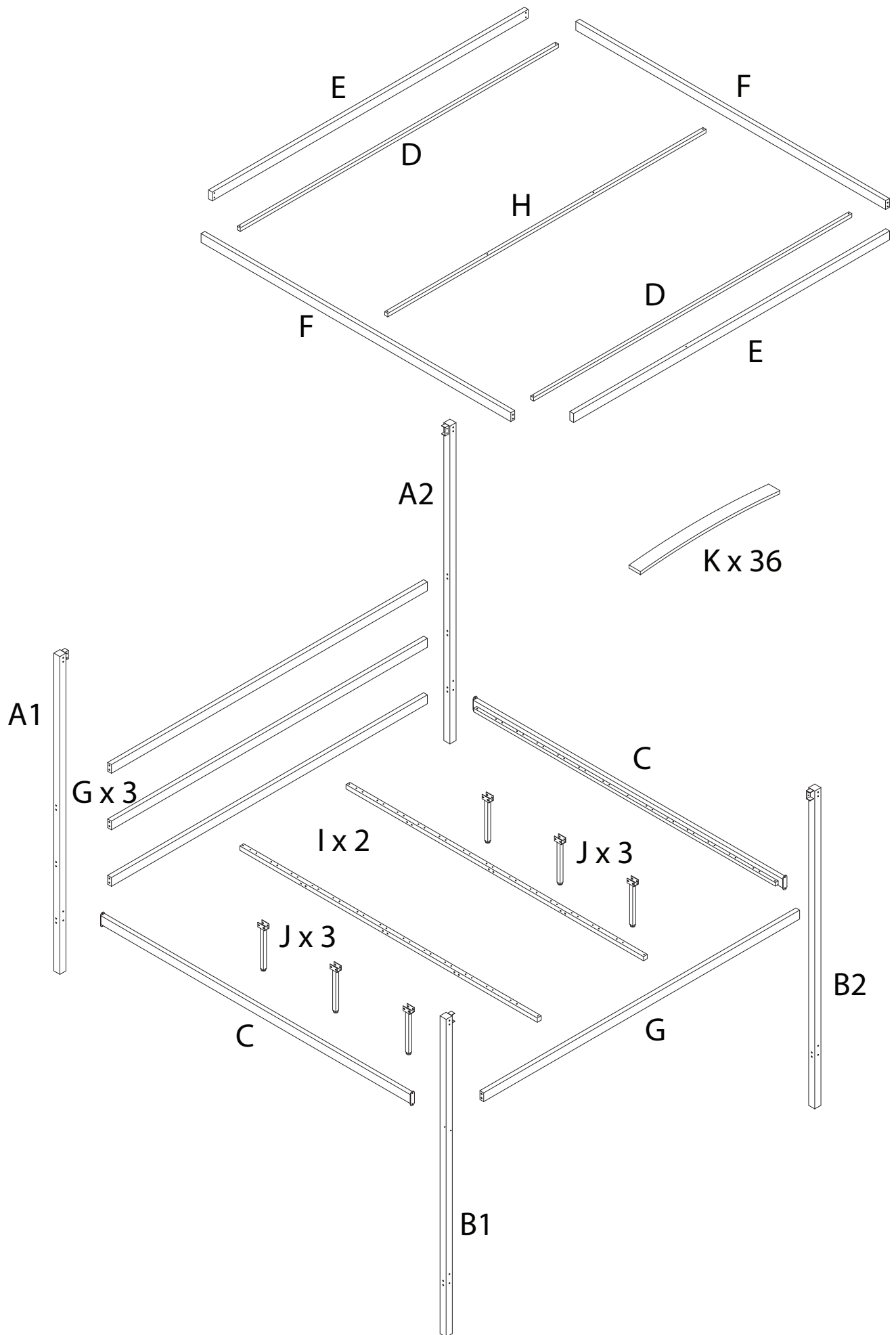


Assembly instructions for step 1/9:

- Tools:** An icon in a circle shows an Allen key and a wrench. A power drill icon is crossed out with a diagonal line, indicating it is not to be used.
- Warning:** A triangle with an exclamation mark points to the top of the unit.
- Time:** A clock icon is shown with the number 60' below it, indicating a 60-minute assembly time.
- Personnel:** An icon of a person is shown with the number 2 below it, indicating that two people are required for assembly.
- Diagram:** An icon in a circle shows a rectangular panel being placed on a surface. A second diagram shows the panel being secured to the surface with a screw.



A1



x 1

A2



x 1

B1



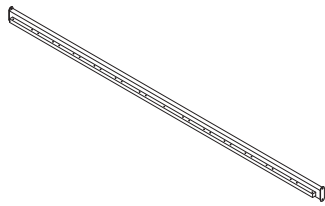
x 1

B2



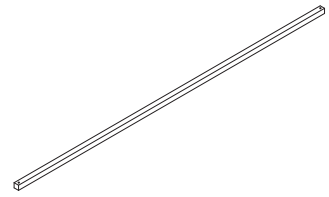
x 1

C



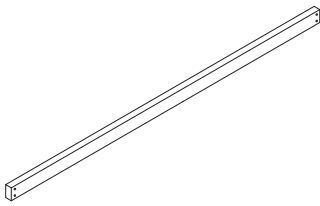
x 2

D



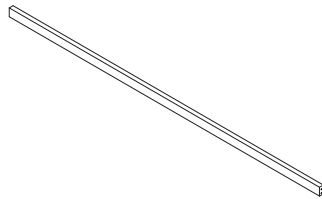
x 2

E



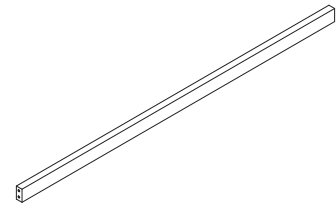
x 2

F



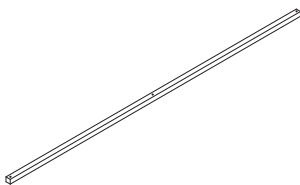
x 2

G



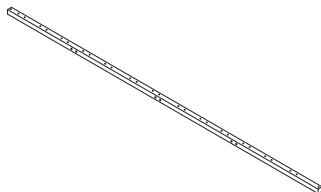
x 4

H



x 1

I



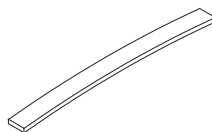
x 2

J



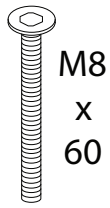
x 6

K



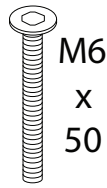
x 36

L



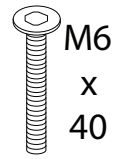
x 24

M



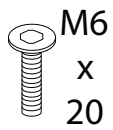
x 6

N



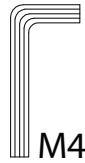
x 26

O



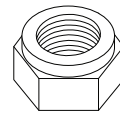
x 16

P



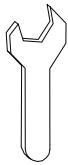
x 2

Q



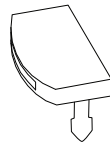
x 18

R



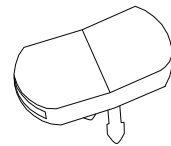
x 1

S



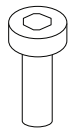
x 24

T



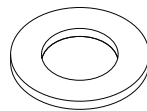
x 24

U



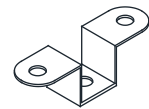
x 8

V



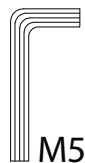
x 70

W

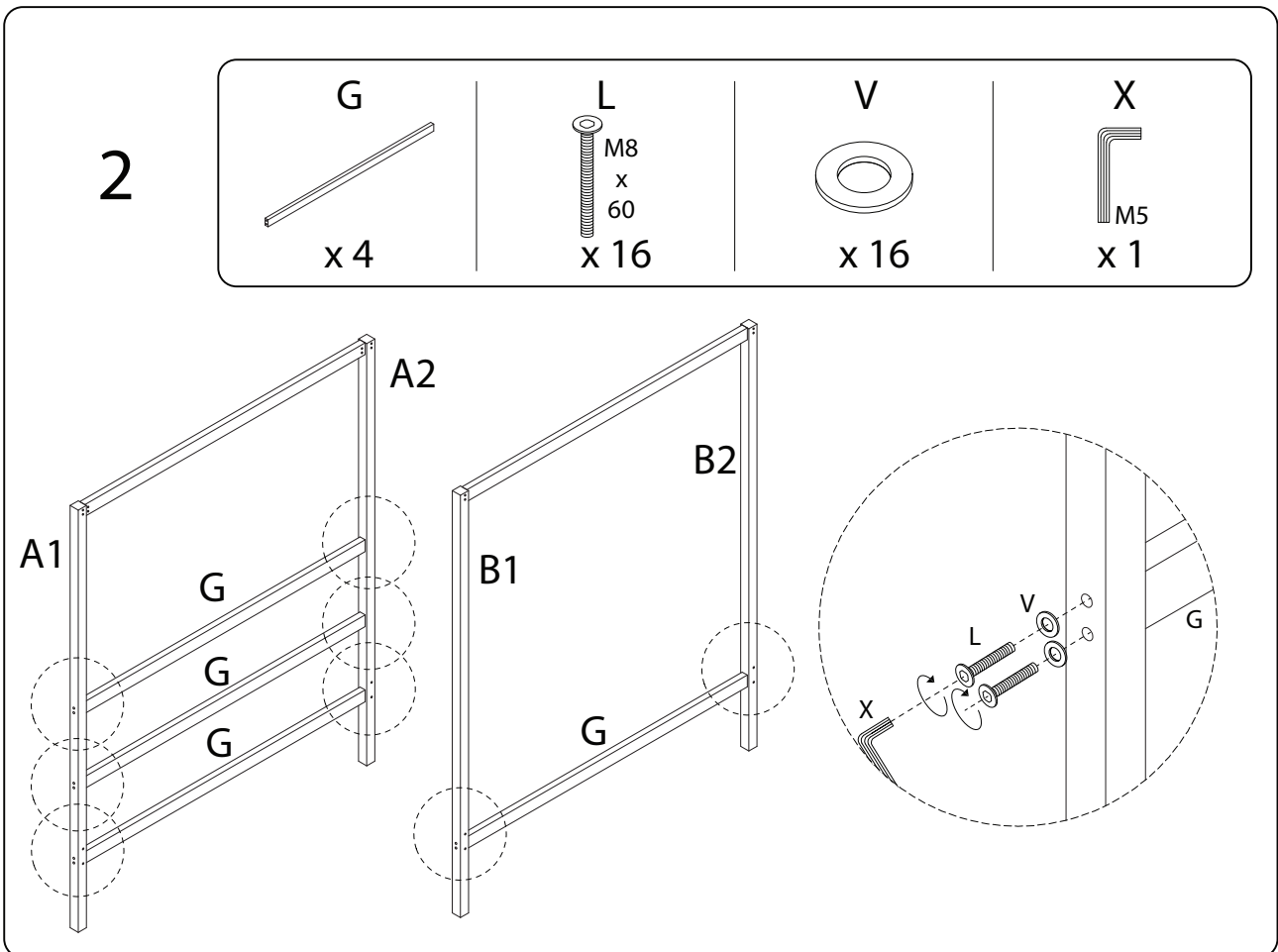
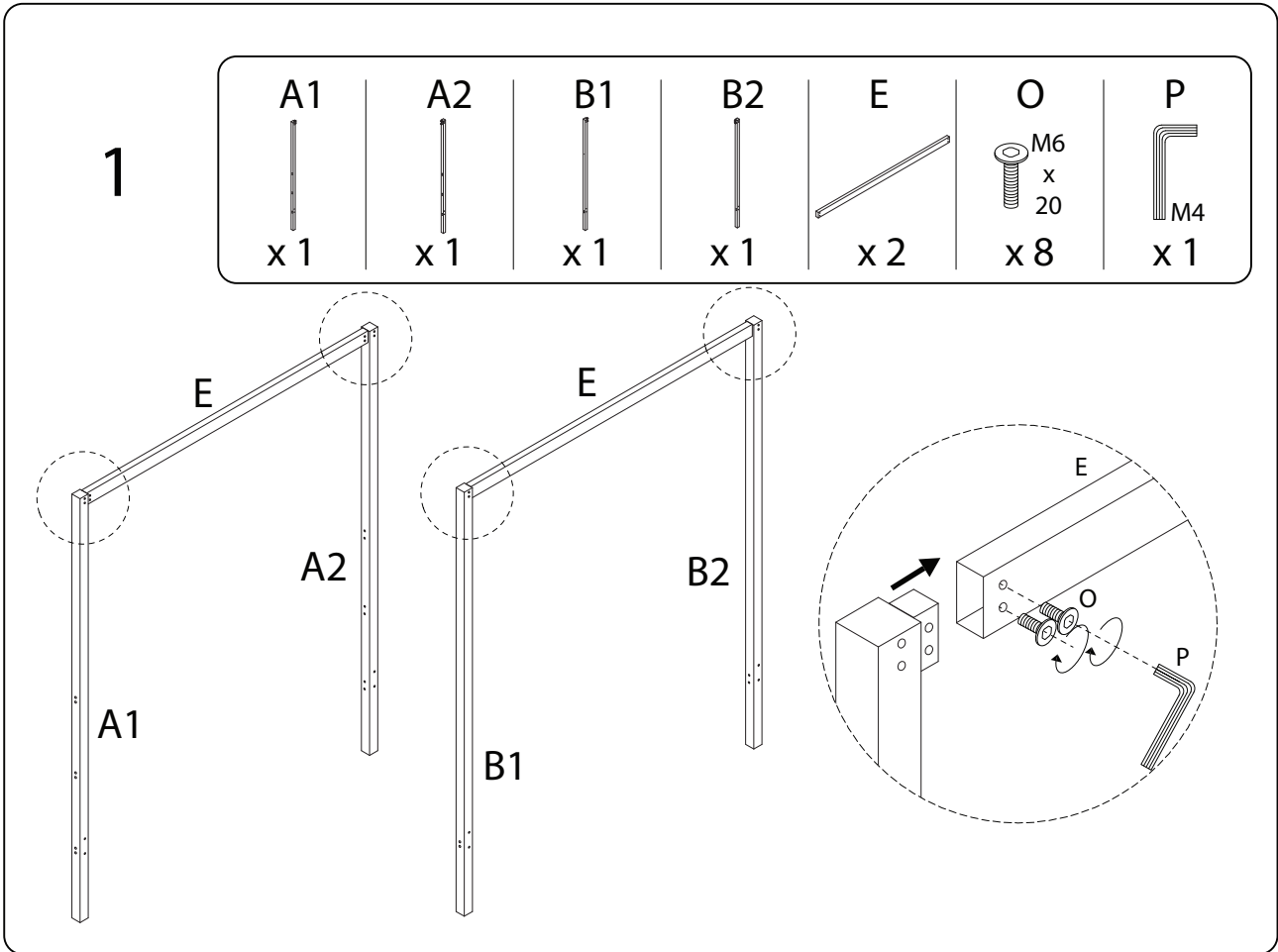


x 4

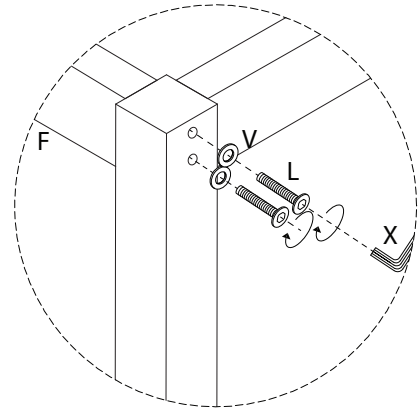
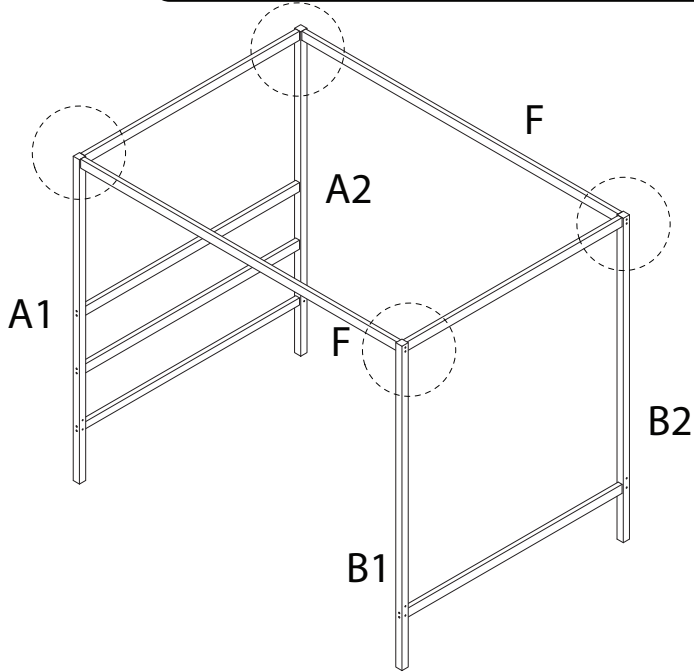
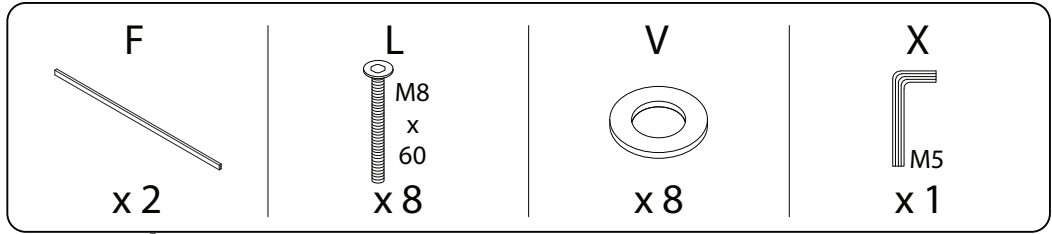
X



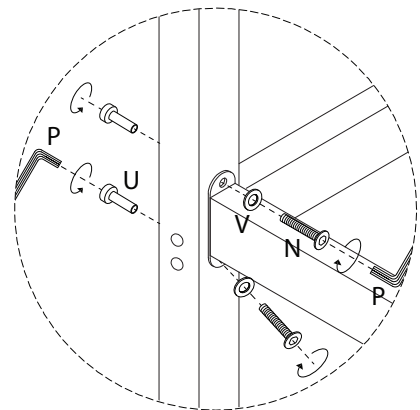
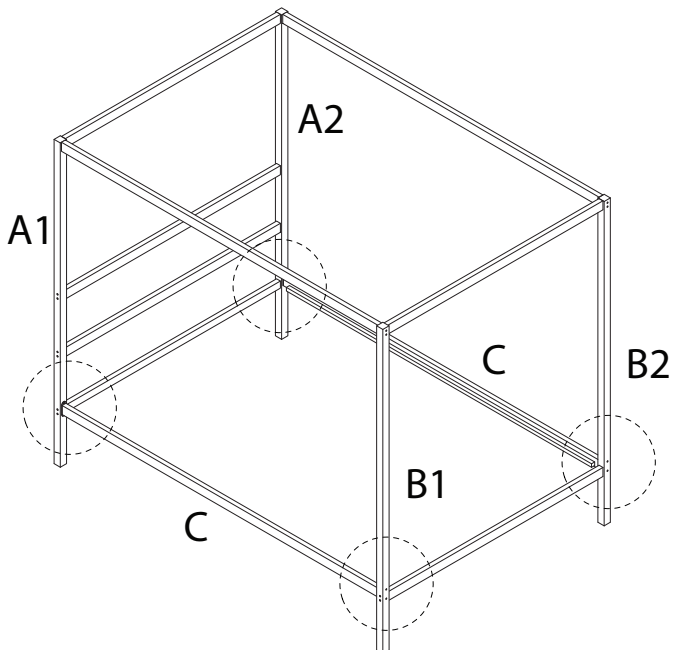
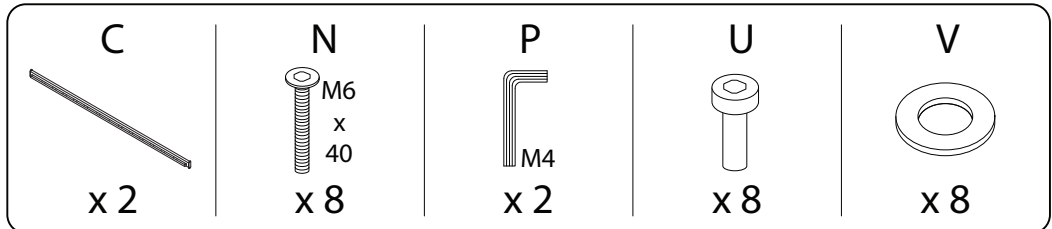
x 1



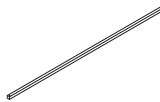
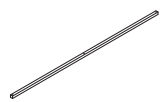
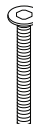
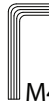


3

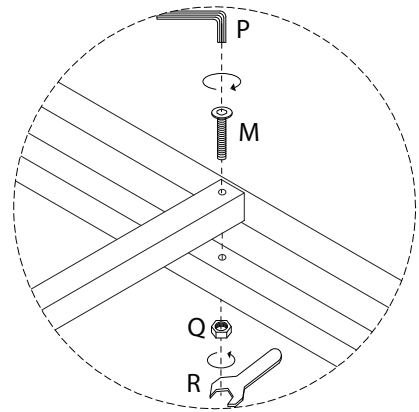
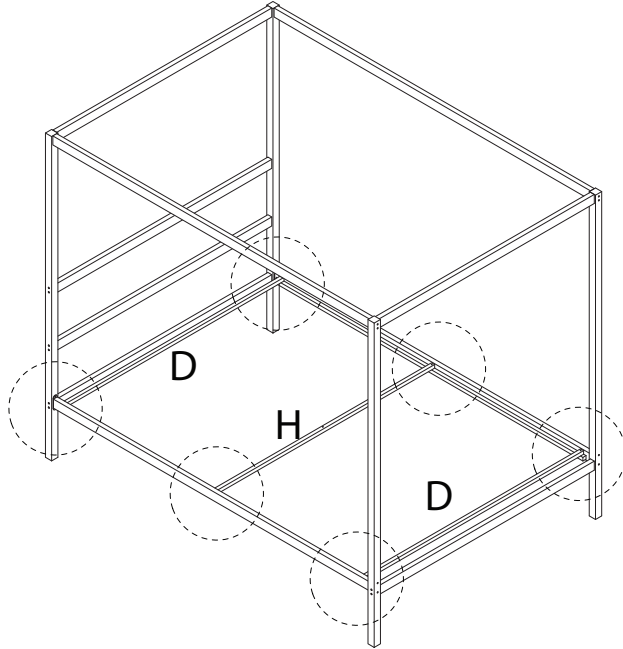


4

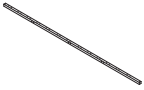

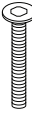
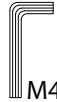





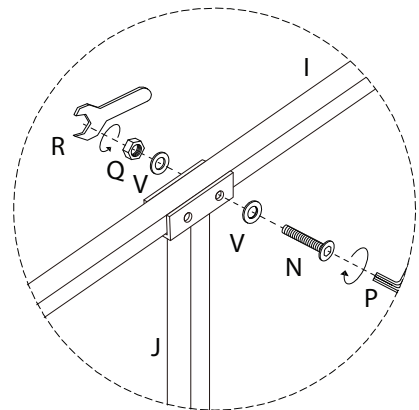
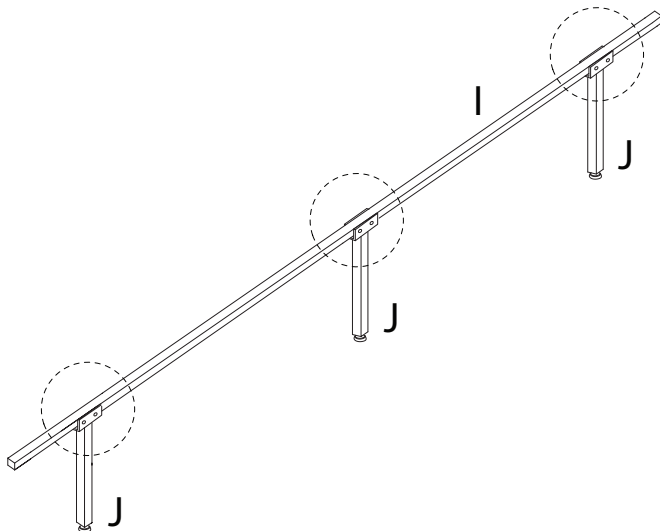
5

D  x 2	H  x 1	M  M6 x 50 x 6	P  M4 x 1	Q  x 6	R  x 1
---	---	--	---	---	---



6 x 2

I  x 1	J  x 3	N  M6 x 40 x 6	P  M4 x 1	Q  x 6	R  x 1	V  x 12
---	---	--	---	---	---	--



7

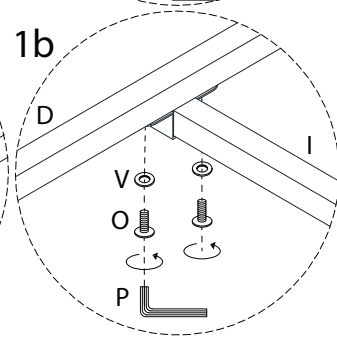
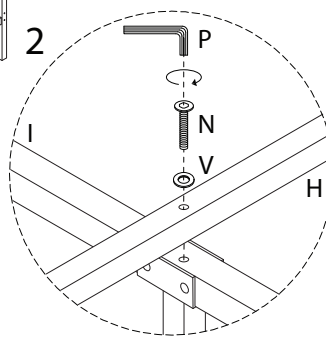
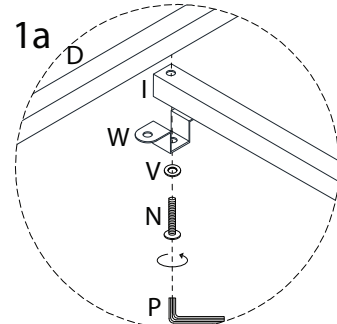
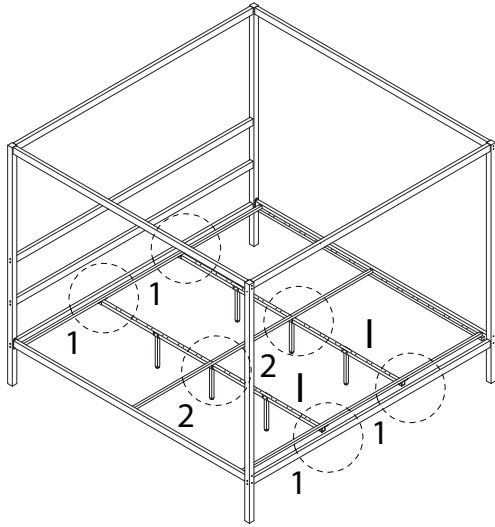
N  
M6  
x  
40  
x 6

O  
M6  
x  
20  
x 8

P  
M4  
x 1

V  
x 14

W  
x 4

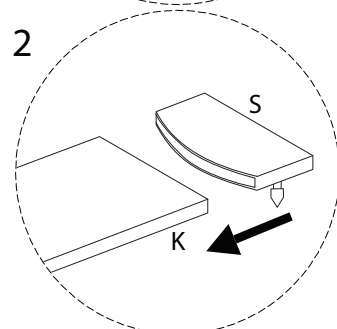
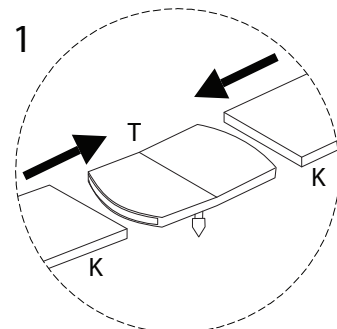
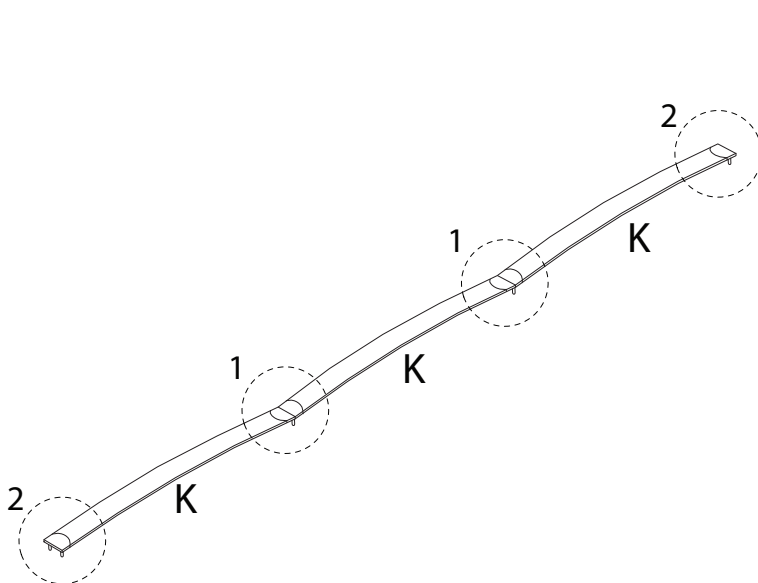


8

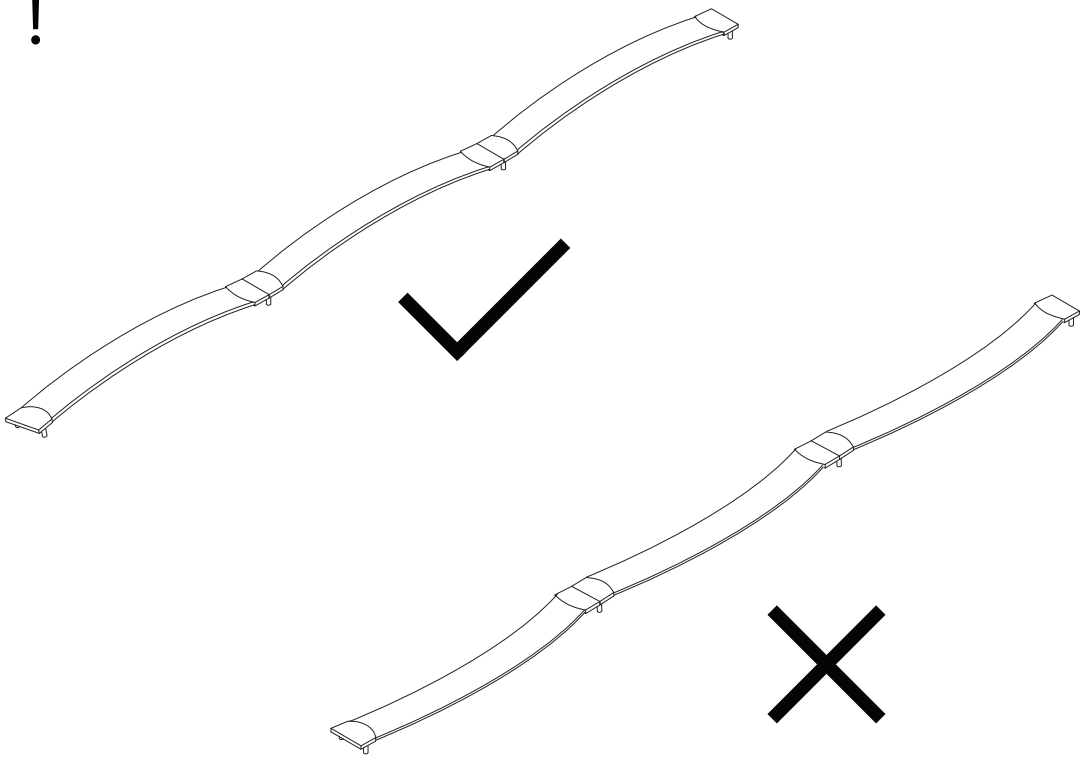
K  
x 36

S  
x 24

T  
x 24



!



9

