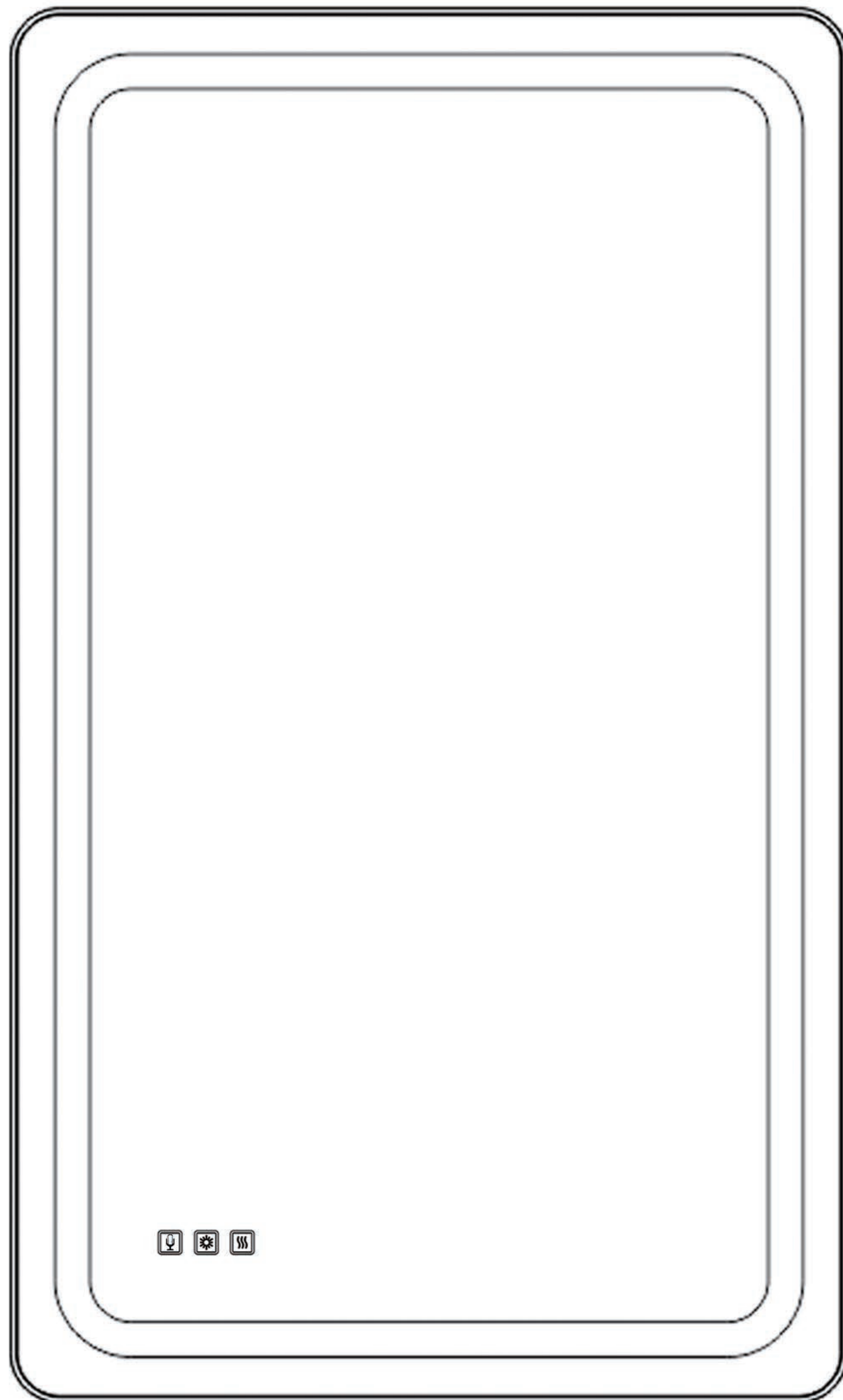


# User Manual



# PHONETIC FUNCTION

WAKE UP: HI  
WAKE UP REPLY:  
HI,WHAT CAN I HELP YOU  
HI,I AM HERE

## COMMAND WORD:

- 1、 ON THE LIGHT
- 2、 OFF THE LIGHT
- 3、 WHITE
- 4、 YELLOW
- 5、 NATURAL
- 6、 MORE DARK
- 7、 MORE LIGHT
- 8、 MAX LIGHT
- 9、 MINIMUM LIGHT
- 10、 ANTIFOGGING
- 11、 OFF ANTIFOGGING

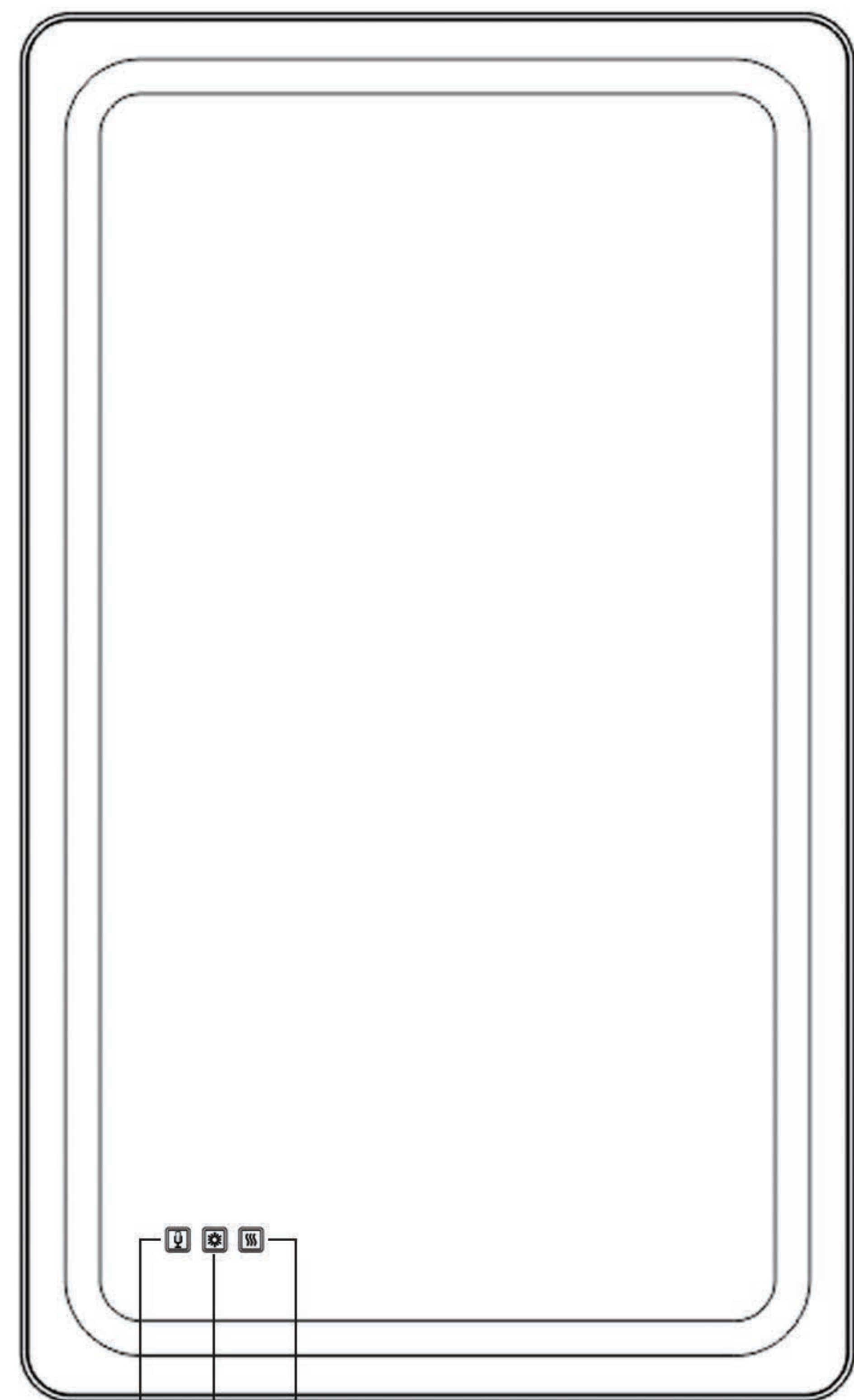
COMMAND REPLY: GET IT

EXIT COMMAND: GOODBYE  
SEE YOU

EXIT REPLY: SEE YOU LATER

## MODULATION:

VOLUME UP/MORE UP  
VOLUME DOWN/MORE DOWN  
MAX VOLUME  
MIN VOLUME  
MEDIUM VOLUME



VOICE FUNCTION

DEMISTING

TOUCH SWITCH

SHORT PRESS THREE COLOR LIGHT SWITCHING

LONG PRESS LIGHT DIMMING

## Product Description

| Dimension   | Watts | Color Temperature     |
|-------------|-------|-----------------------|
| 20 " x 28 " | 24W   | 3000k - 4500k - 6000k |
| 24 " x 32 " | 36W   |                       |
| 28 " x 36 " | 36W   |                       |
| 24 " x 40 " | 48W   |                       |




## Important Notification:

- Please make sure all parts are intact before installation. When the product is taken out, it would be better to put them on a smooth surface to prevent scratches.
- It might be sharp at the edges and corners as the frame is made of aluminum, please protect yourself from being scratched during installation.
- Standing on a safe platform when working at heights.
- Be sure there are no hidden cables or pipes on the wall before drilling.
- Wearing appropriate goggles when drilling.
- Be careful when using power tools near water.
- The main power must be turned off before the electrical installation.
- The product is indoor use only.
- The electrical components must keep away from moisture.
- This product is manufactured to IP44 grade standard.

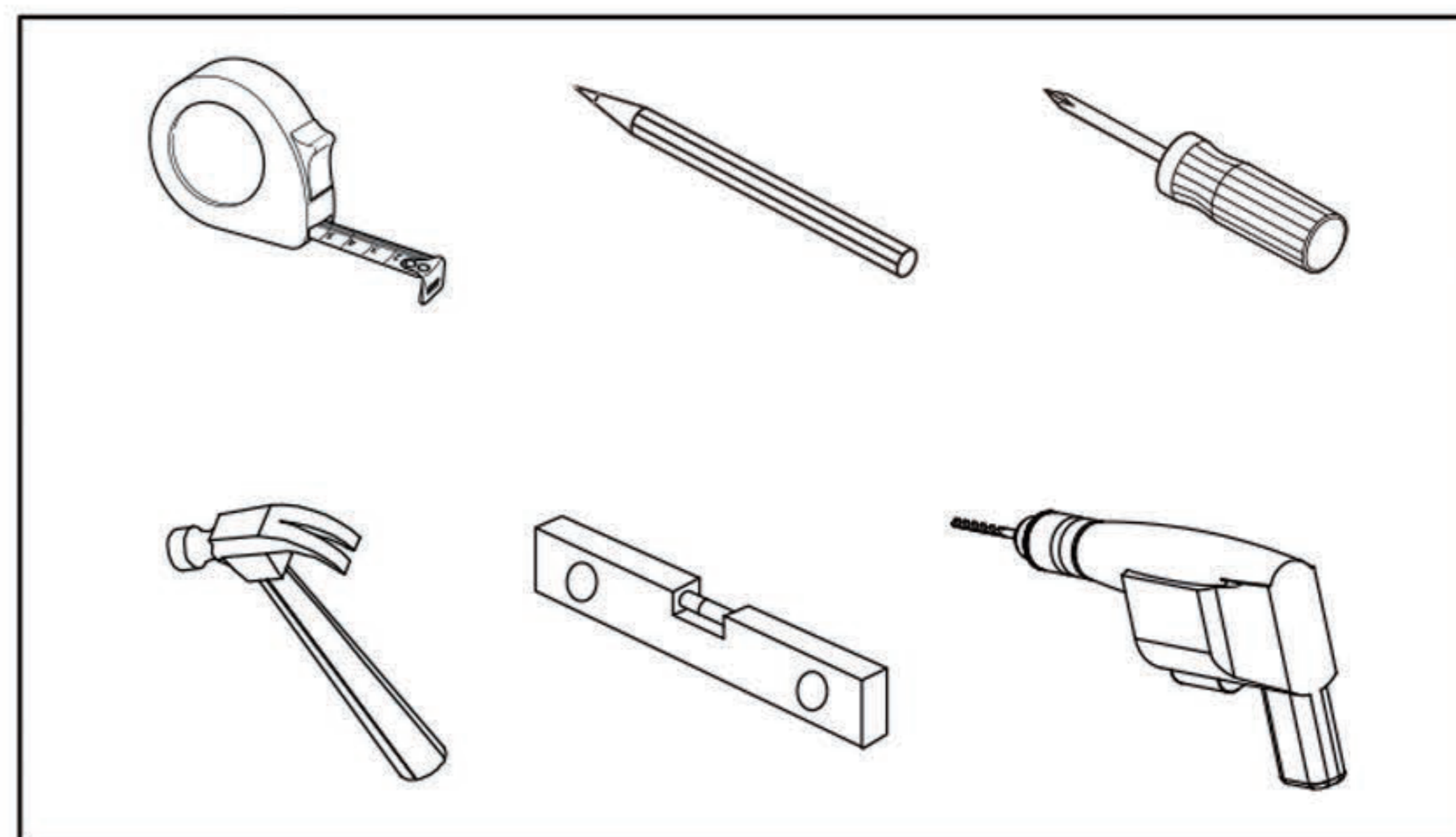
## Wall Types:

- The fixtures provided are usually used for solid walls.
- If mounted on a tile, please use a ceramic drill and insert a wall plug under the tile.

## Included accessories:

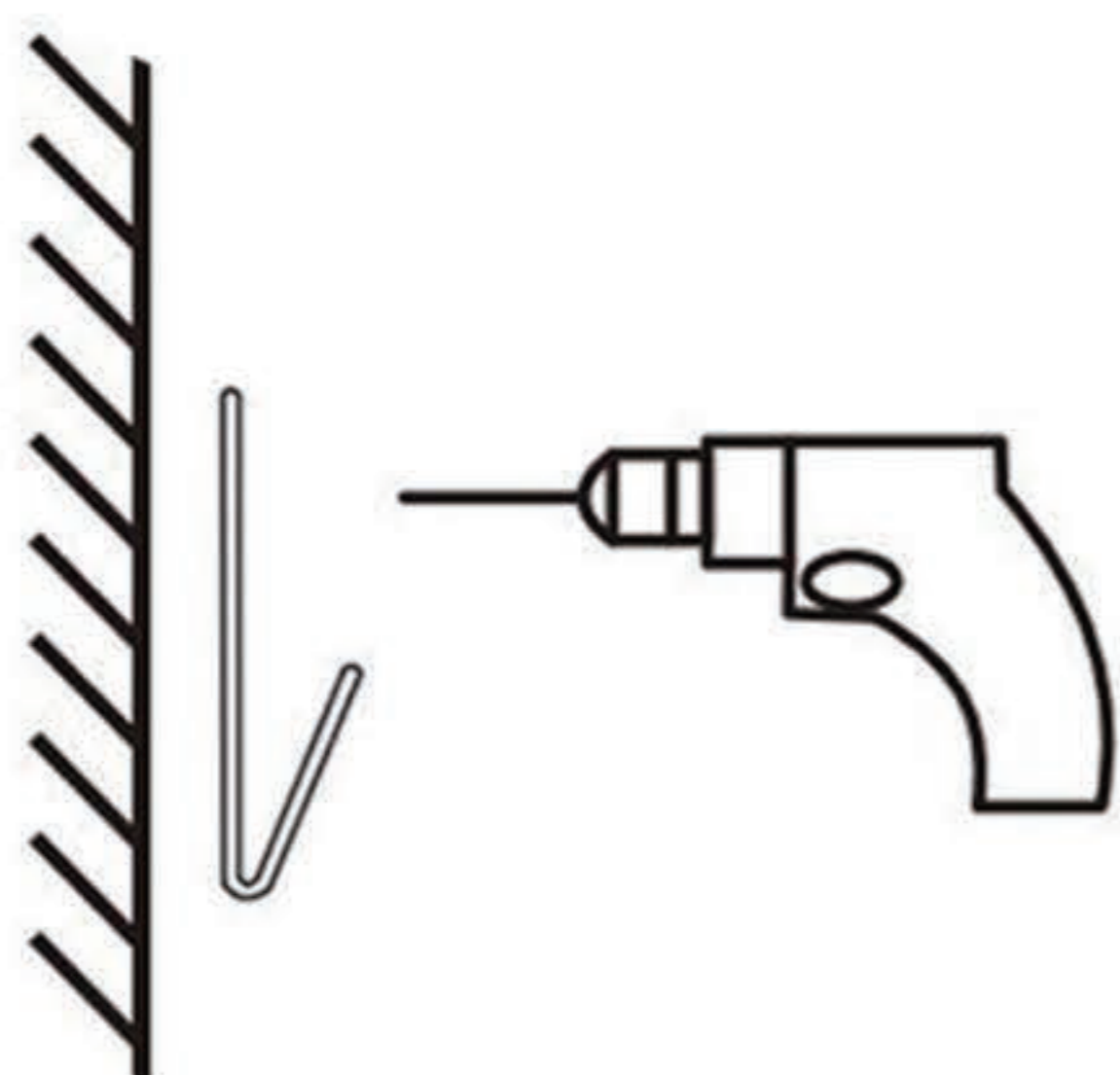
| Typ | Draw  | Number | Name               |
|-----|---|--------|--------------------|
| 1   |  | 2PCS   | Self-tapping screw |
| 2   |  | 2PCS   | Expansion tube     |
| 3   |  | 1PC    | Aluminum strip     |

## Tool requirements:



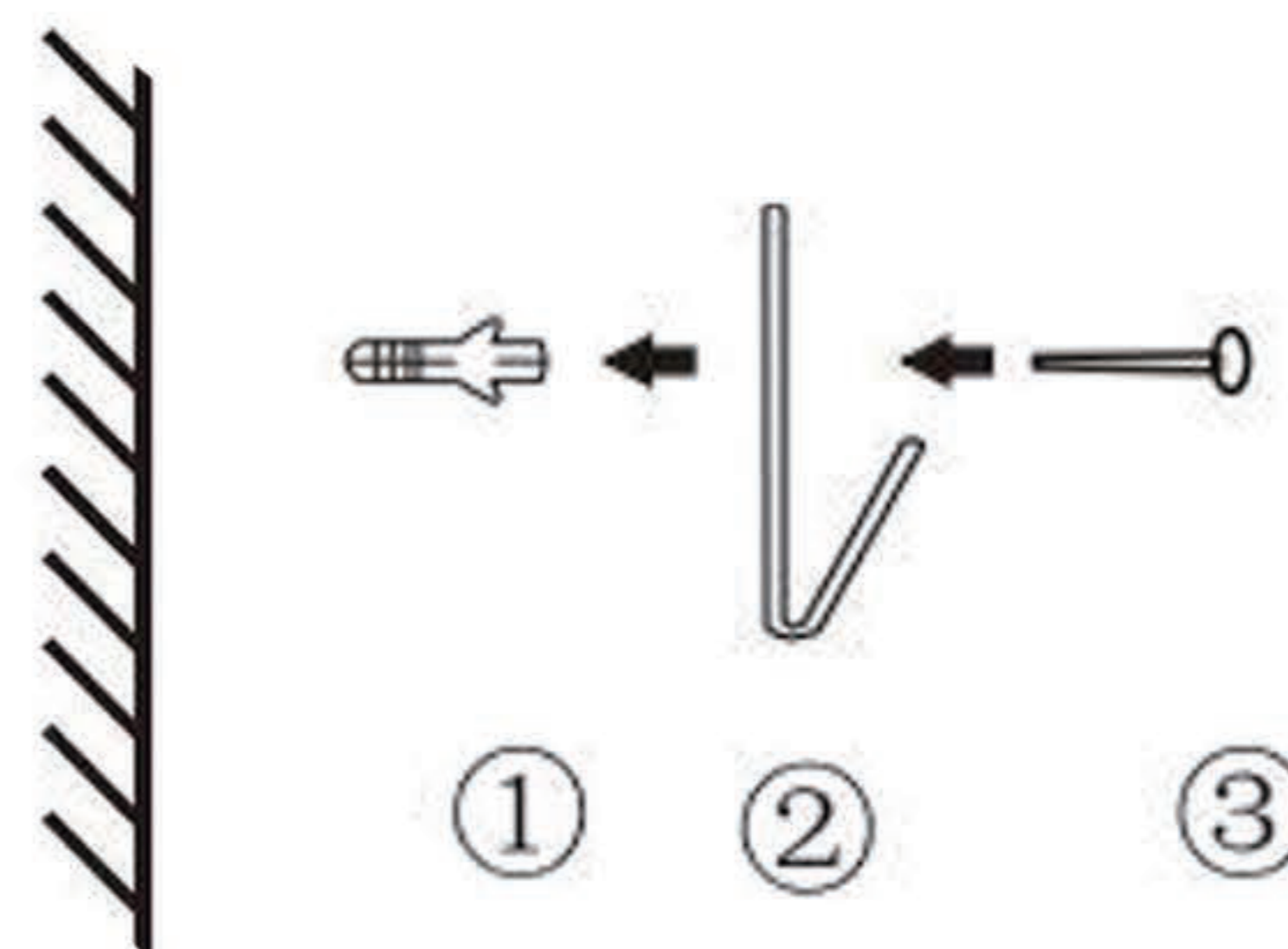
### Step1

Drill holes on the wall according to the hole position of the aluminum strip.



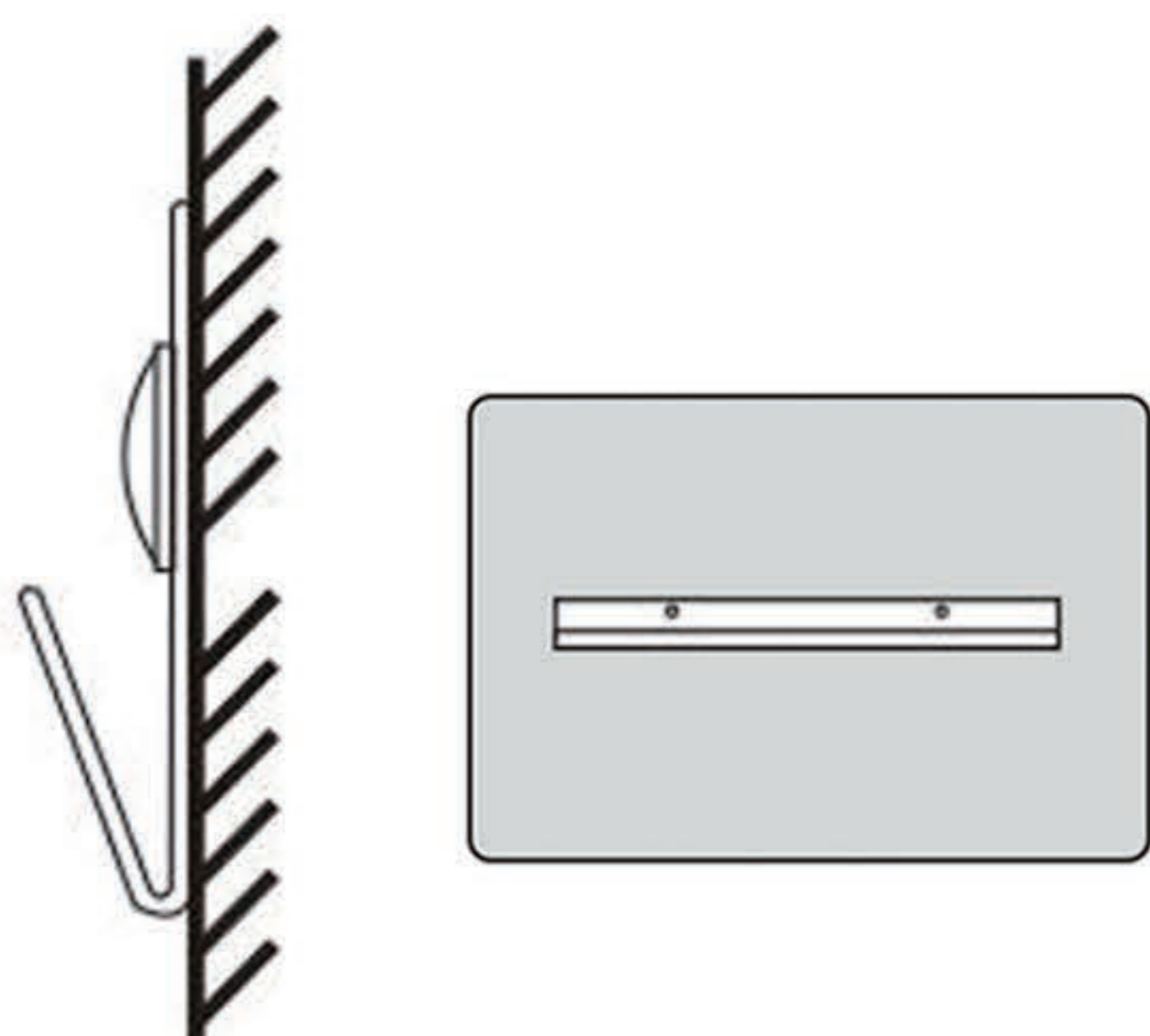
### Step2

1. Expand the expansion tube into the wall.
2. Aligning hole position of aluminum strip to drill hole.
3. Twist the screw into the hole and fix the aluminum strip.



### Step3

After completion, the final wall hangs aluminum strip.



### Step4

Align the aluminum strip on the wall and hang up the mirror.

