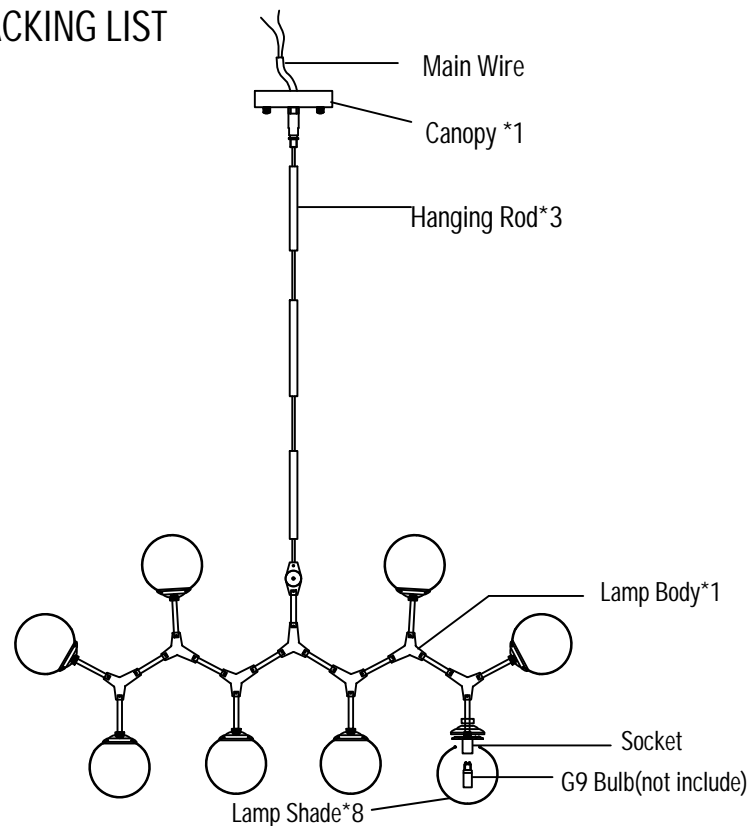








1.PACKING LIST



2.INSTALLATION KIT

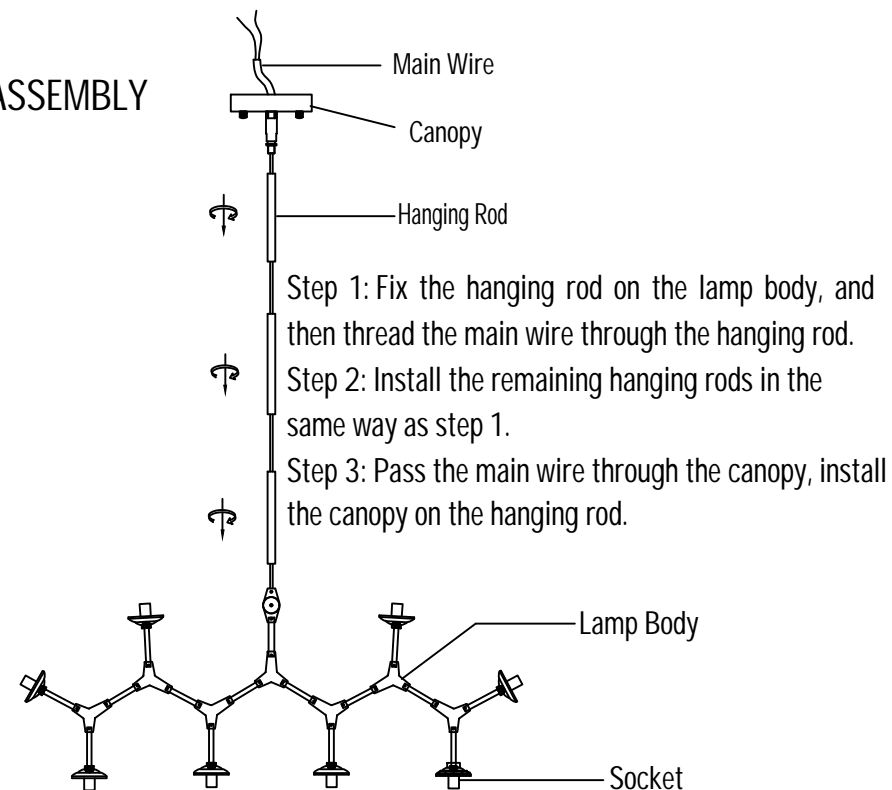
AA		3x	BB		2x	CC		1x
	Wire Nut			Cap Nut			Gloves	
DD		1x	EE		2x	FF		2x
	Mounting Bracket			Canopy Screw			Outlet Box Screw with Washer	

Note:

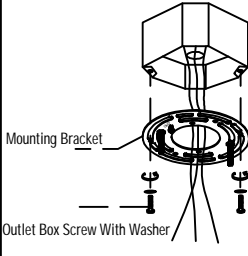
1.Some extra hardware may be included. The quantity listed above is the number required for installation.

2.Parts"BB,DD,EE"have already been pre-installed together with canopy.

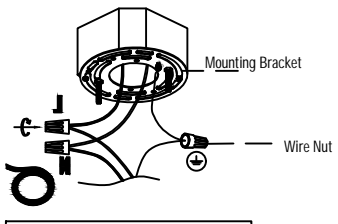
3.FIXTURE ASSEMBLY



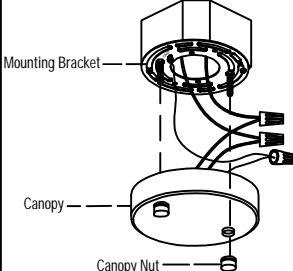
4.MOUNTING AND WIRING



1.Mount the Mounting Plate
Step 1:Loosen the cap nut (BB)from canopy,take out the Mounting Bracket (DD).
Step 2:Take off the screws from outlet box,secure the Mounting Bracket onto the box with screws taken off or Outlet Box Screw With Washer (FF).



2.Connect The Wires
STEP 1: Connect the wires from the fixture to the house supply wires with wirenuts(AA) ground wire (green, green/yellow, or bare) to ground wire, neutrewire (white) to neutral wire, and hot wire (black) to the hot wire. Wrap the connection with electrical tape.
STEP 2: Spread apart the wires so that the hot wires are on one side of the outlet box and the neutral wires are on the other side.



3.Fix the Canopy
Fix the canopy onto the Mounting Bracket with cap nuts.

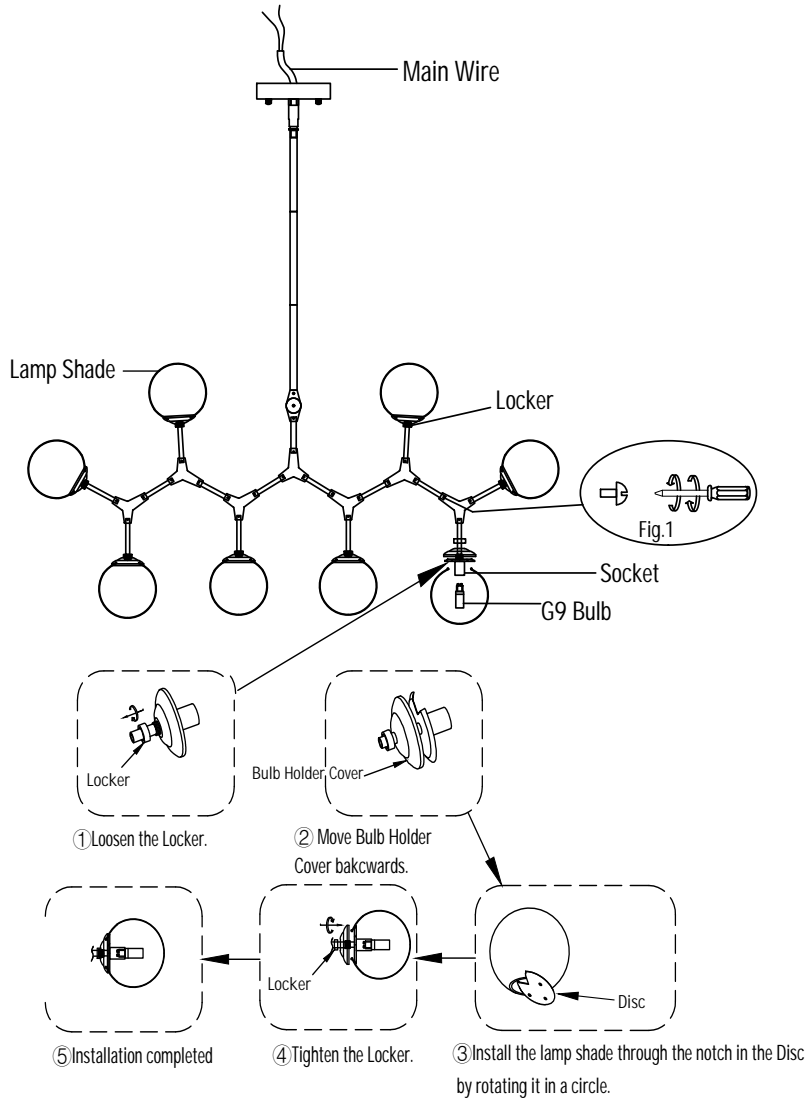
INSTALLATION MANUAL

5. INSTALL BULBS AND LAMP SHADE

Step 1: Install the G9 bulbs (G9 bulbs not included).

Step 2: Install the lamp shade and lock it with locker.

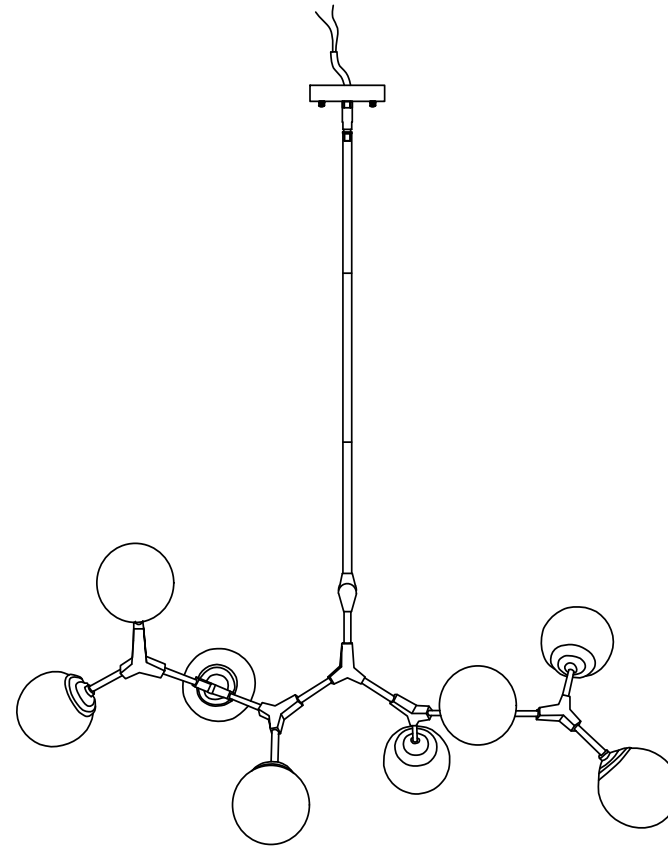
Step 3: Loosen the screw as shown in Figure 1, rotate to adjust the shape of the lamp body and then lock it. (It can be adjusted 120° forwards and backwards)



Note:
This lamp uses G9 bulbs base and can only be used in conjunction with LED bulbs up to 7W.
Fully dimmable when used with dimmable bulbs and compatible dimming switches (G9 bulbs not included).

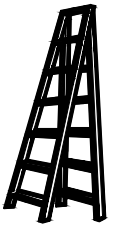
CHANDELIER

MODEL NO.: QLPO04YBR-8A



Scan for Installation Video

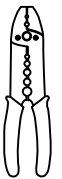
TOOLS REQUIRED



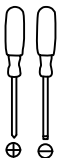
LADDER



PLIERS



WIRE STRIPPERS



SCREWDRIVERS