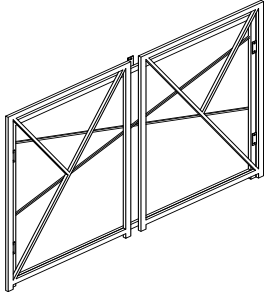
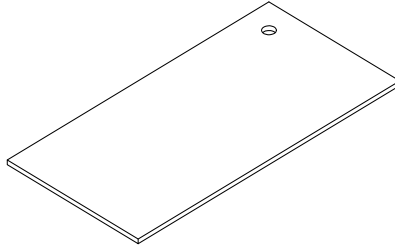


A*1



B*1

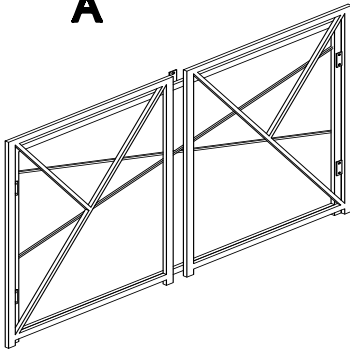


C*1

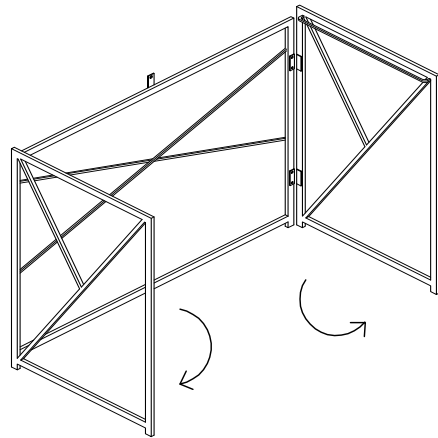


①

A

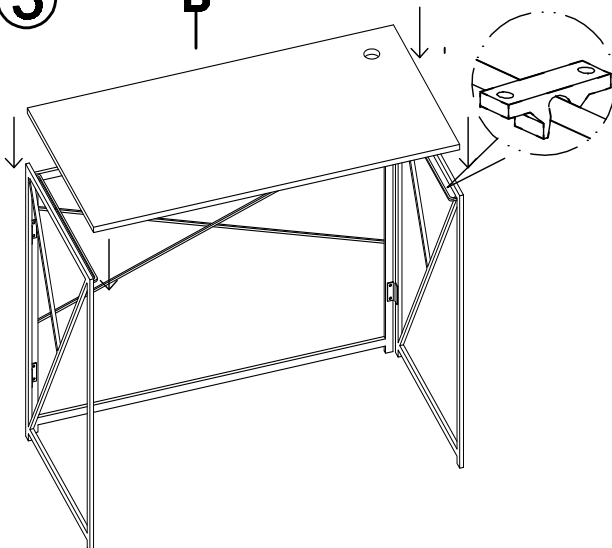


②



③

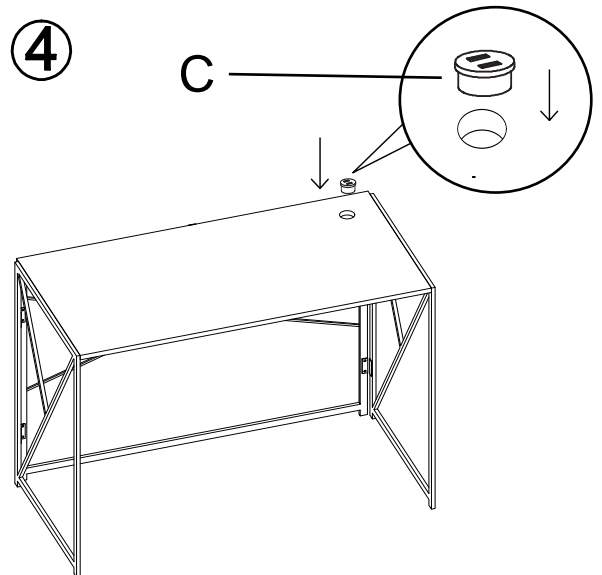
B



The panel faces down and the gripper is fixed on the iron bar.

④

C



The circular USB interface is placed in the circular hole and pressed.

UESR'S MANUA

Folding Table

LP-D-006/LP-D-007