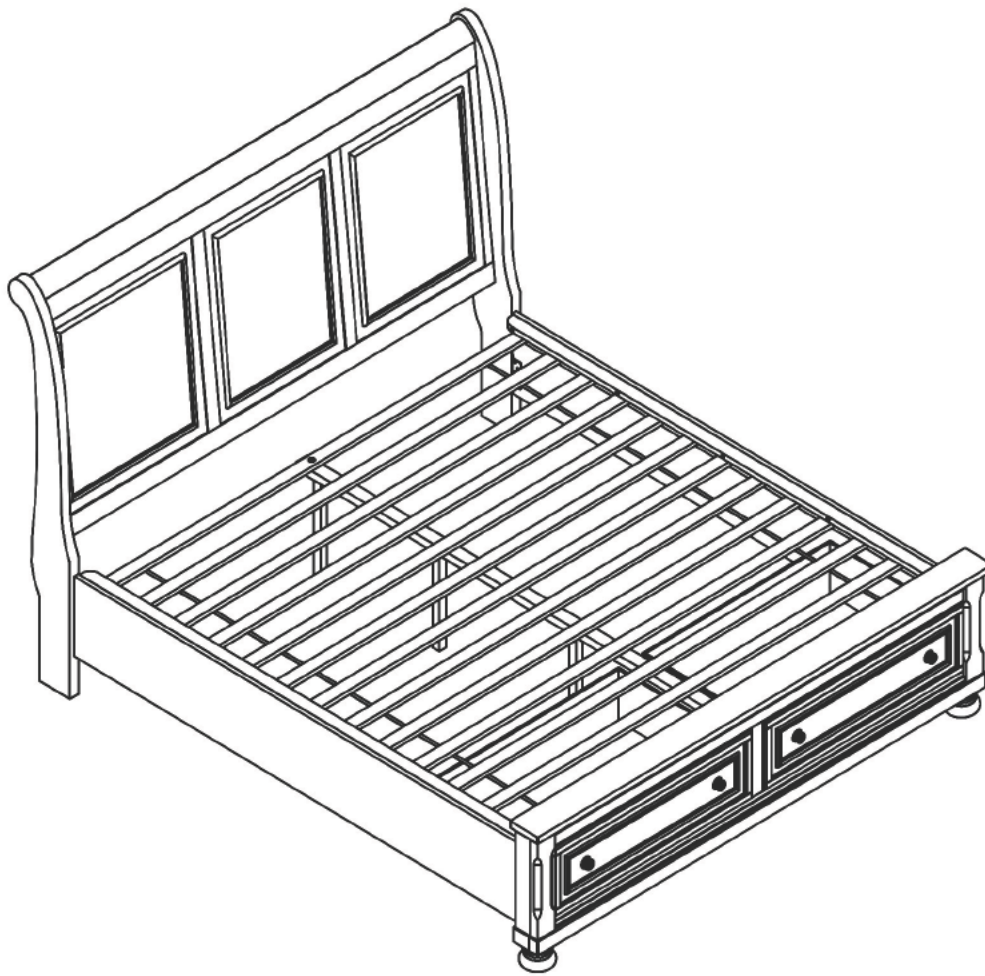


ASSEMBLY INSTRUCTIONS



TOOLS REQUIRED



Allen Wrench

(Included)



Phillips
Screwdriver

(Not Included)



3 - People
Recommended

ASSEMBLY RATING



EASY —————> DIFFICULT

The Assembly Rating is a 5-point system showing the level of effort needed to assemble a specific product.



CHECK BEFORE STARTING

Are you missing anything?

Double-check all parts, hardware and accessories listed on Page 6 are accounted for.

Should we send any replacements?

Are there any irregularities or flaws in the parts? We can send replacements!

Check out our Quick Tips!

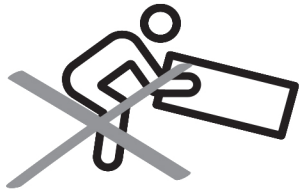
We recommend reviewing the pre-assembly handouts. Even experts need a refresher now and then!

Prep Time!

Please review the assembly instructions and all diagrams prior to assembling. Arrange parts as recommended on Page 7 and group identical hardware together to make assembling easier.

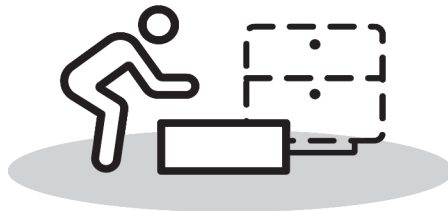
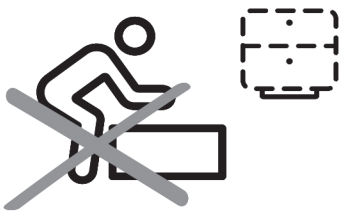
PRE ASSEMBLY INTRODUCTION

We understand building ready-to-assemble furniture can be a challenging experience for some. To help avoid confusion, we have provided some helpful tips that may speed up the process.



Teamwork

ALWAYS have at least two people to help with transporting and assembling the product to avoid potential injury and/or damage.



Suitable Location

Assembling near the area of the intended location is highly recommended.



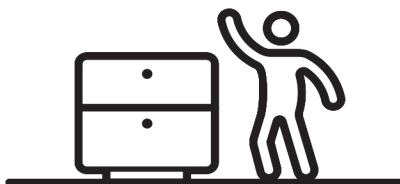
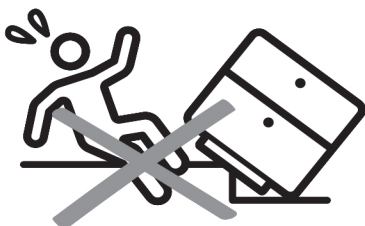
Sufficient Space

Make sure you have enough space to move around during the assembly.



Avoid Scratches

Use cardboard, blankets or a carpeted area while assembling furniture to prevent scratches.



Flat Surface

Make sure the furniture rests on a flat and level surface with each leg evenly touching the floor.

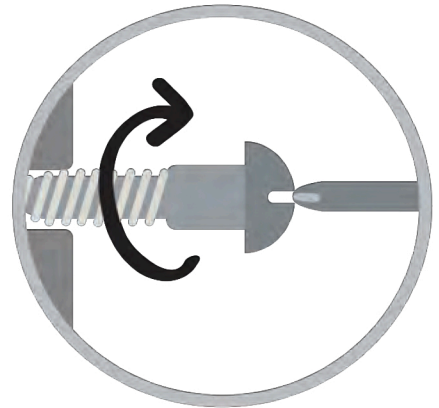
ASSEMBLY AND CARE ADVICE



FAILURE TO FOLLOW THE GUIDELINES BELOW MAY RESULT IN INJURY AND/OR PROPERTY DAMAGE.



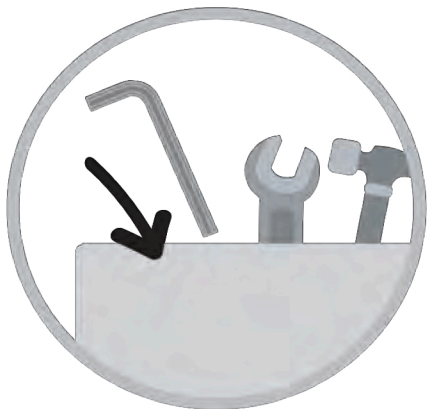
Position each part correctly and insert screws or bolts into their respective holes.



Turn clockwise to tighten and only tighten when step is completed or when instructed to do so.



Use the appropriate hand tools or power tools for assembly. Select steps, such as tightening screws and/or bolts, may require hand tools to avoid causing damage during assembly.



Save the instructions and store any supplied tools for later maintenance.



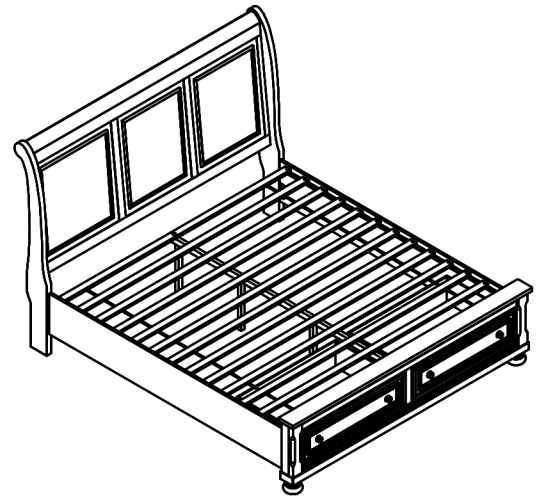
After two weeks, check and tighten any loose hardware and repeat again every six months thereafter.

IT IS THE USER'S RESPONSIBILITY TO MAINTAIN THE FURNITURE. THE HARDWARE MAY LOOSEN OVER TIME AND MAY CAUSE THE FURNITURE TO BE WOBBLY AND UNABLE TO SUPPORT ITS INTENDED WEIGHT CAPACITY. THIS MAY LEAD TO COLLAPSE AND MAY CAUSE SERIOUS INJURY.

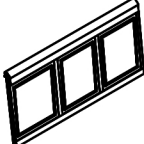

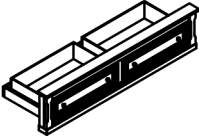
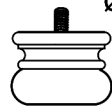
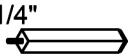
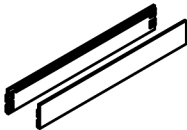
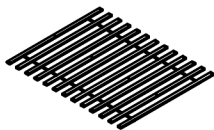

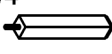
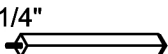

BED



- Please keep instructions for future reference.
- Check the quantity and irregularity of parts and hardware before you start.








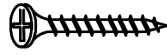



PARTS

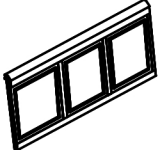








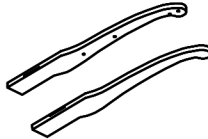
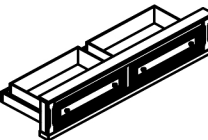
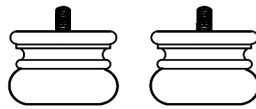
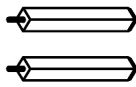
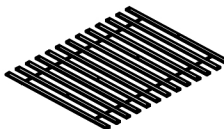
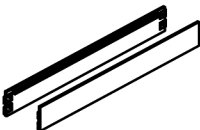


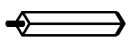
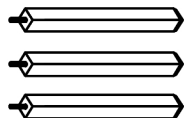

<p>#1 1pc</p> 	<p>#2 2pcs</p> 	<p>#3 1pc</p> 	<p>#4 2pcs</p> <p>Ø5/16"</p> 	<p>#5 2pcs</p> <p>Ø1/4"</p> 
<p>Headboard</p> <p>#6 2pcs</p> 	<p>Headboard Leg (L&R)</p> <p>#7 1pc</p> 	<p>Footboard</p> <p>#8 1pc</p> 	<p>FB Leg Ø110x84mm</p> <p>#9 1pc</p> <p>Ø1/4"</p> 	<p>Fb Support Leg 164x30x30mm</p> <p>#10 3pcs</p> <p>Ø1/4"</p> 
<p>Side Rail</p> <p>#11 2pcs</p> 	<p>Bed Slat (13pcs)</p>	<p>Center Slat</p>	<p>Short Support Leg 115x30x30mm</p>	<p>Long Support Leg 362x30x30mm</p>

Top Side Rail

HARDWARE

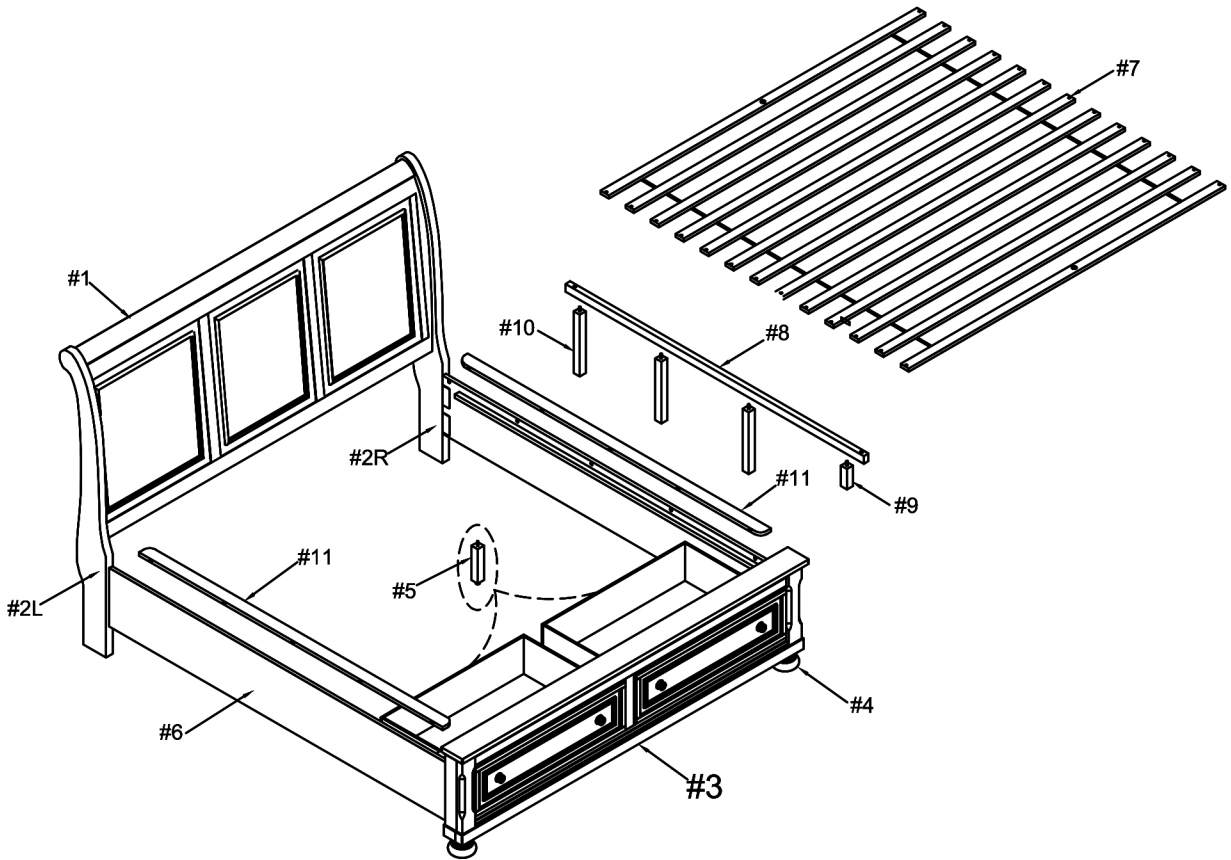
<p>#A 6pcs</p> 	<p>#B 6pcs</p> 	<p>#C 6pcs</p> 	<p>#D 2pcs</p> 	<p>#E 2pcs</p> 
<p>Bolt Ø5/16" x 2"</p>	<p>Lock Washer Ø5/16"</p>	<p>Flat Washer Ø5/16"</p>	<p>Bolt Ø1/4" x 1"</p>	<p>Lock Washer Ø1/4"</p>
<p>#F 2pcs</p> 	<p>#G 1pc</p> 	<p>#H 26pcs</p> 	<p>#J 10pcs</p> 	<p>Bolt Ø1/4" x 1-1/2"</p>

packed in 3 cases

Carton	Disignation		Part	Hardware
	Headboard	#1		 #A 6pcs  #B 6pcs  #C 6pcs  #D 2pcs  #E 2pcs  #F 2pcs  #G 1pc  #H 26pcs
	Headboard Leg(L&R)	#2		
	Footboard	#3		
	Footboard Leg	#4		
	Footboard Support Leg	#5		
	Bed Slat	#7		
	Side Rail	#6		 #J 10pcs
	Center Slat	#8		
	Short Support Leg	#9		
	Long Support Leg	#10		
	Top Side Rail	#11		

ASSEMBLY INSTRUCTIONS

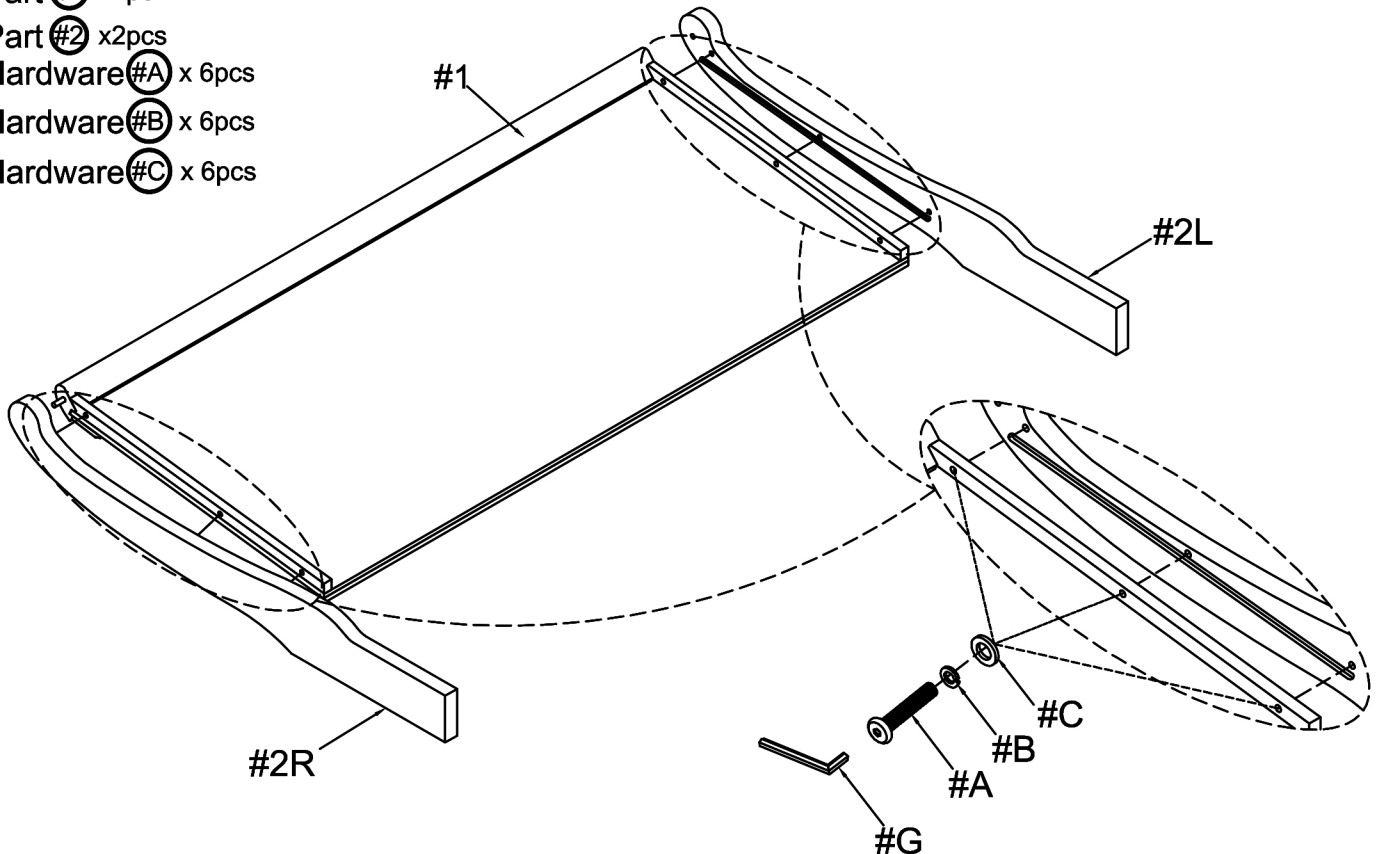
1



2

- Part #1 x1pc
- Part #2 x2pcs
- Hardware #A x 6pcs
- Hardware #B x 6pcs
- Hardware #C x 6pcs

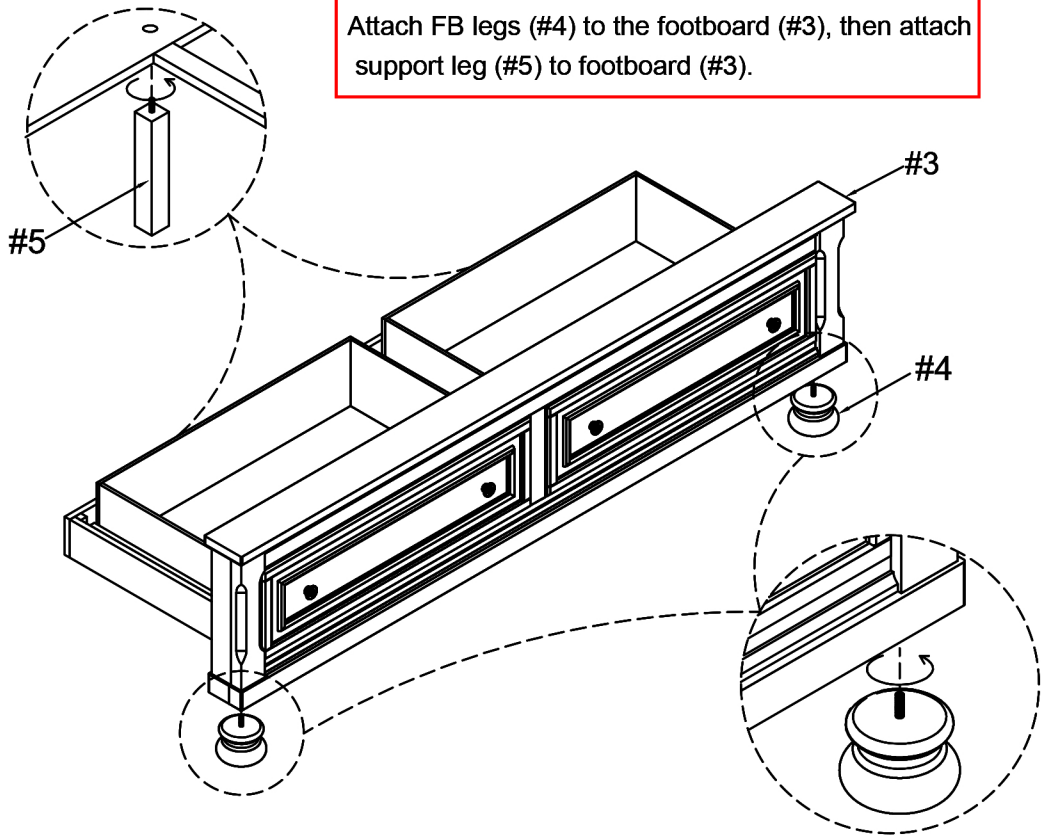
Align HB legs (#2R/L) to the headboard (#1), then secure by using bolts (#A) with washers (#B,C).



ASSEMBLY INSTRUCTIONS

3

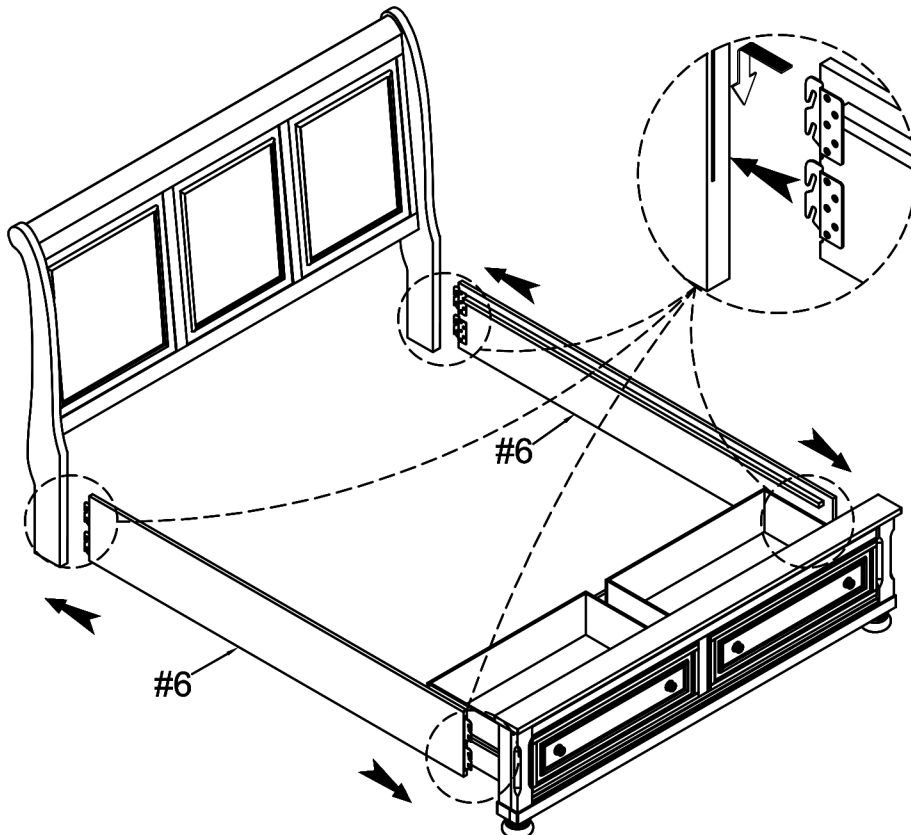
- Part #3 x1pc
- Part #4 x2pcs
- Part #5 x2pcs



4

- Part #6 x2pcs

Align and hook the side rails (#6) to the headboard (#1) and footboard (#3). Make sure it is firmly in place.

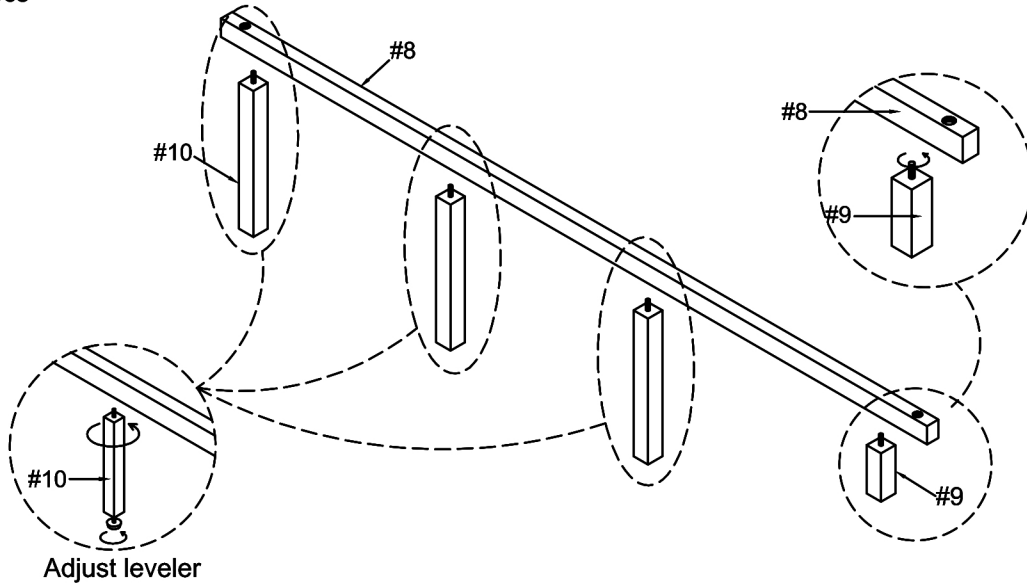


ASSEMBLY INSTRUCTIONS

5

- Part #8 x1pc
- Part #9 x1pc
- Part #10 x3pcs

Attach support legs (#9,10) to the center support rail (#8), then adjust leveler of the support legs (#10) according to ground level.

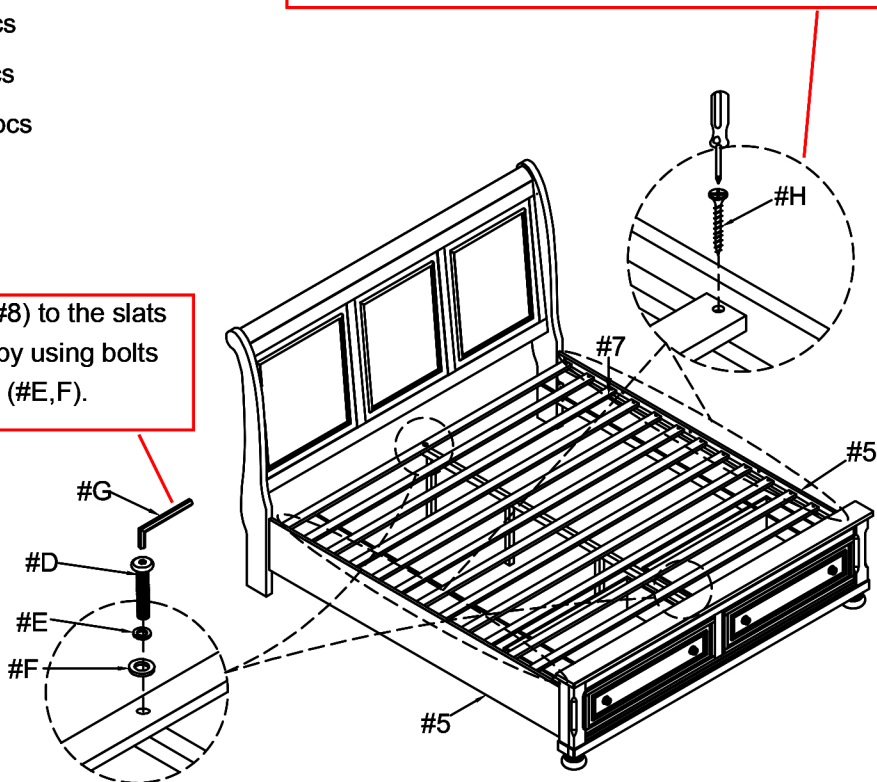


6

- Hardware #D x 2pcs
- Hardware #E x 2pcs
- Hardware #F x 2pcs
- Hardware #H x 26pcs

Align slats (#7) to side rails, then secure by using screws (#H).

Align center slat (#8) to the slats (#7), then secure by using bolts (#D) with washers (#E,F).



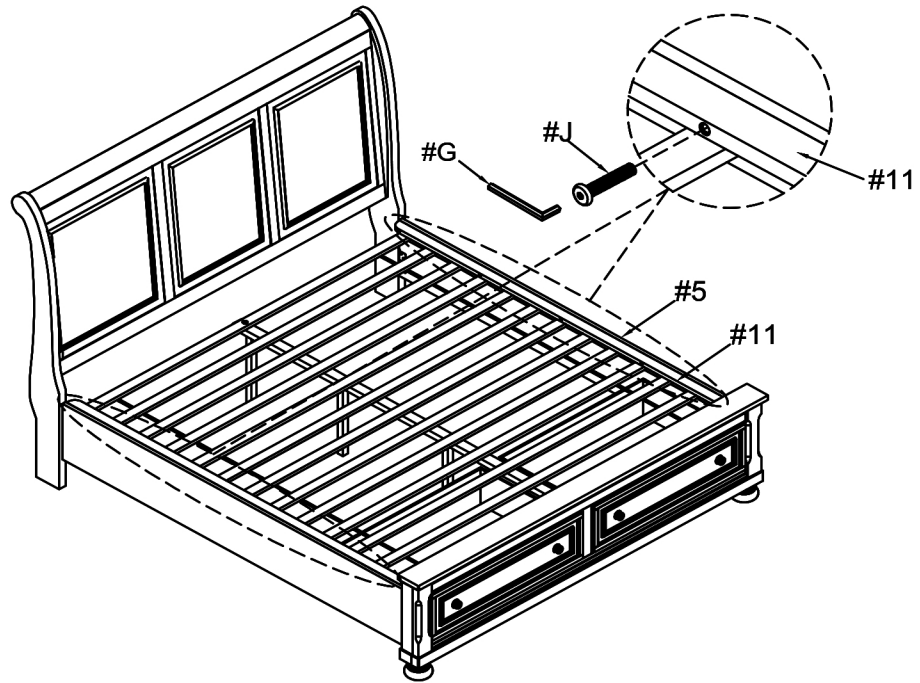
ASSEMBLY INSTRUCTIONS

7

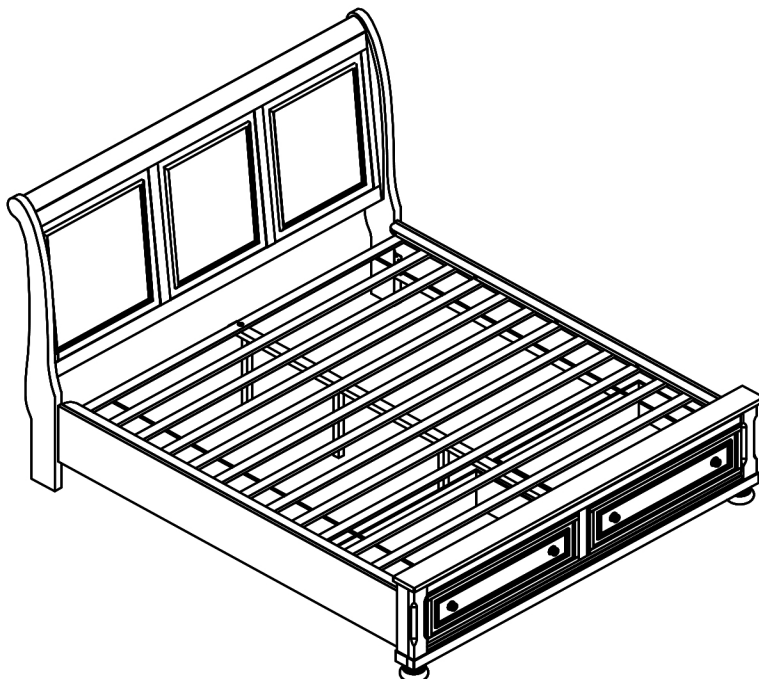
Part #11 x2pcs

Hardware #J x 10pcs

Align top side rails (#11) to the side rails (#5), then secure by using bolts (#J).



8



ASSEMBLY COMPLETED



Please ensure the furniture rests on an even and flat surface. If the product wobbles or feels loose, double-check all bolts and/or screws are properly tightened and secured.



Keep this handy!

Please retain this instruction manual and any order-related information for future reference.



Lift, don't drag!

To avoid damage to product please always LIFT the product when transporting or adjusting the placement.