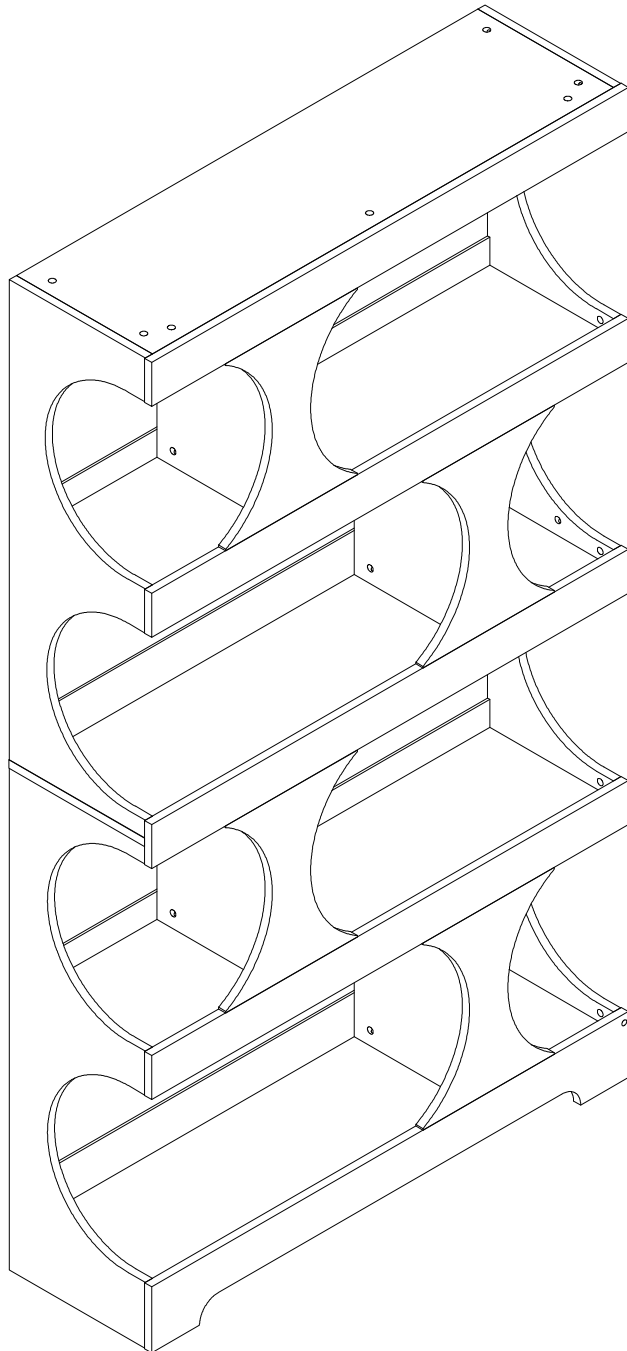


Assembly Instructions

Storage rack



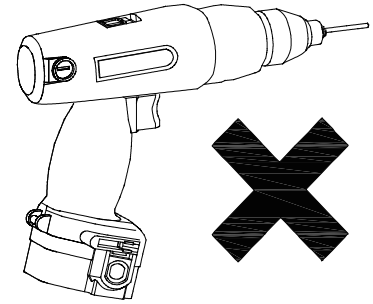
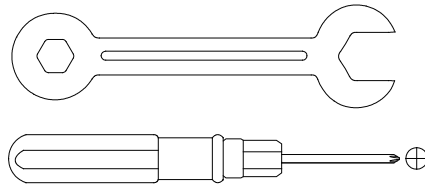
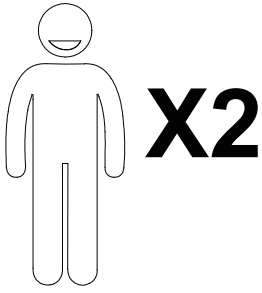
Contact Us

We're here to help you.

Your satisfaction is our top priority. If you encounter any issues with this product, such as missing or damaged parts, we're here to help. Please retain the original packaging and take photos of the packaging and the product, then contact us as soon as possible.

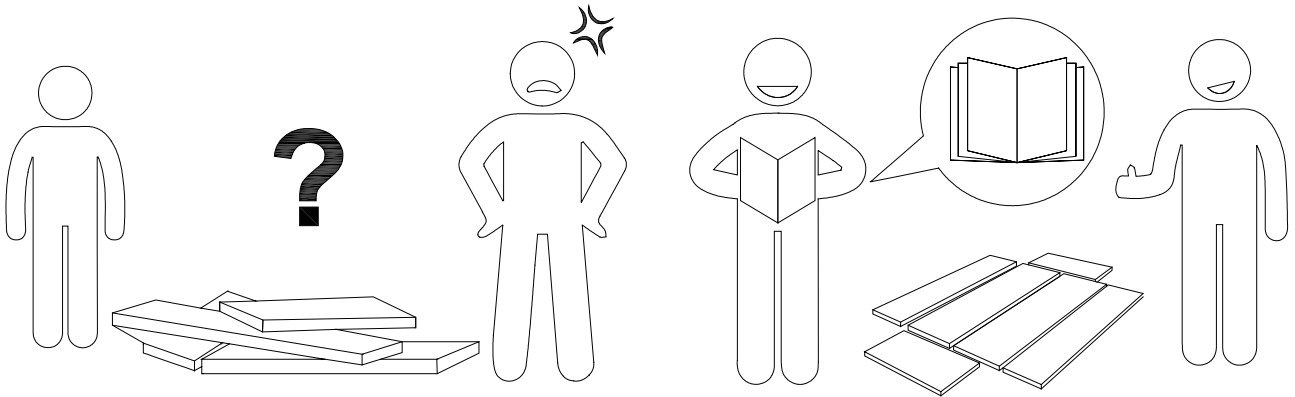
Warm Tips

1. Carefully read these instructions and keep them for future reference.
2. Check the parts list and confirm everything's there before starting assembly.
3. When assembling, put all parts on a soft, smooth surface like a carpet to avoid scratches.
4. Don't fully tighten screws until all parts are confirmed in place to avoid misalignment.



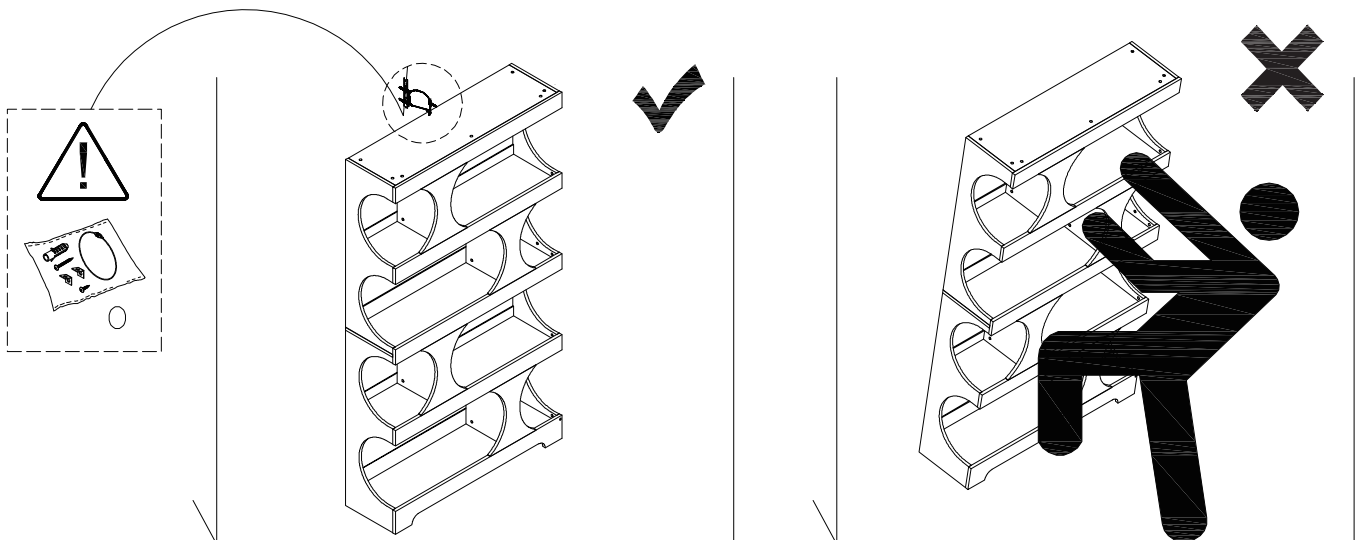
We recommend using hand tools for assembly.

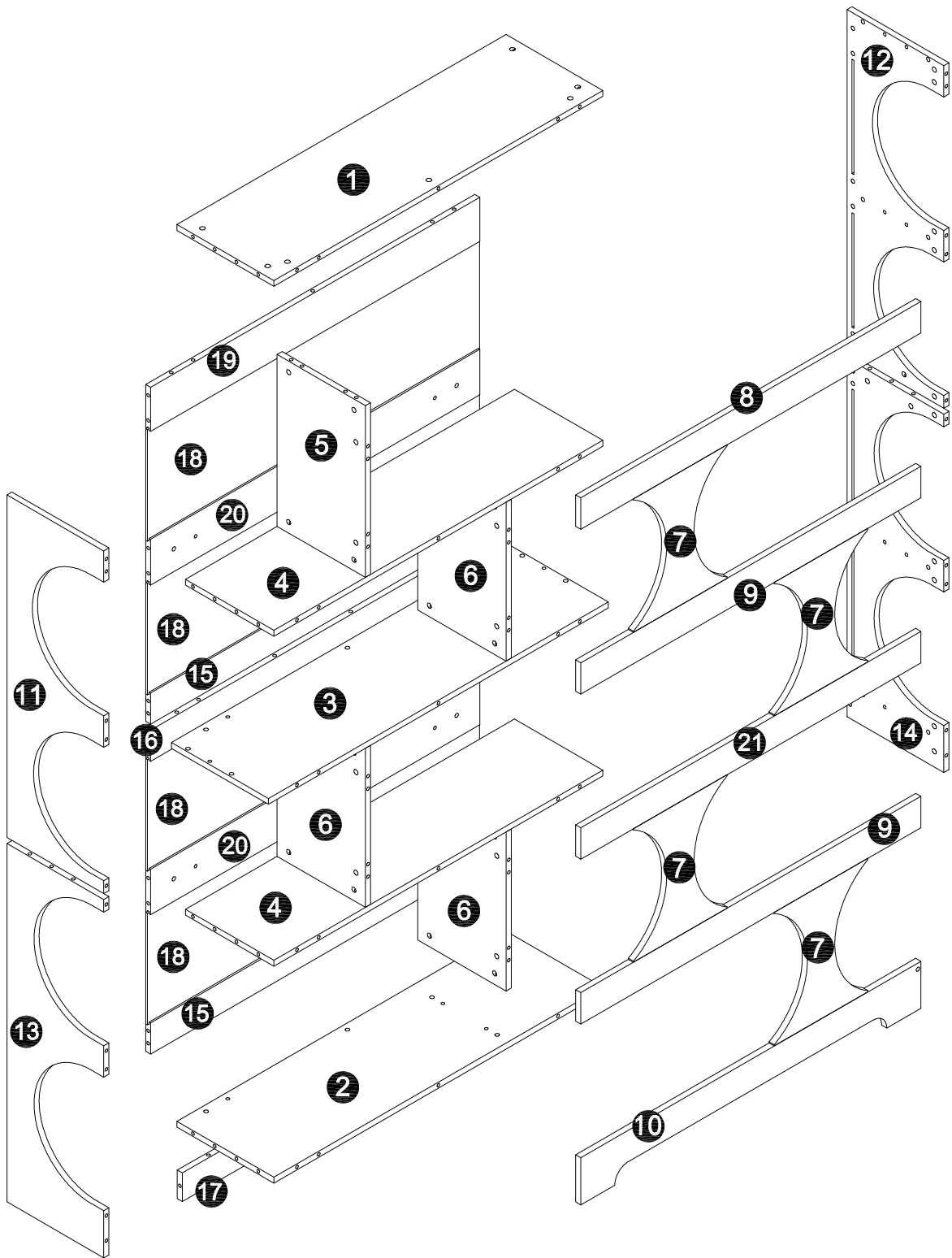
If an electric screwdriver is used, reduce power and torque to avoid damage to the product.



Install the Anti-Tip Straps

Using the anti-tip straps can reduce the risk of tipping over, but can not eliminate it.

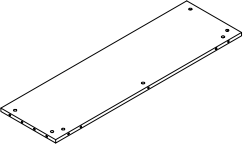
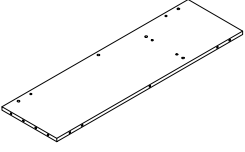
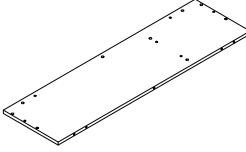
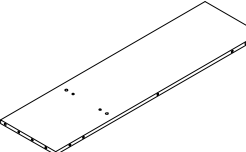
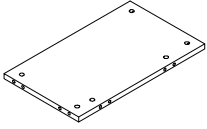
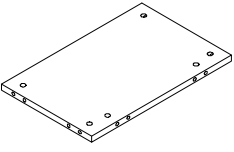
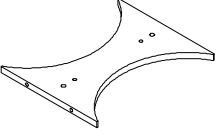
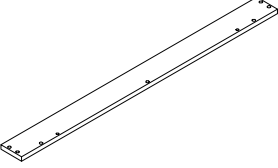
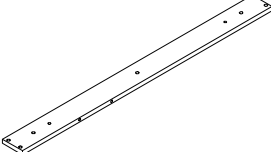
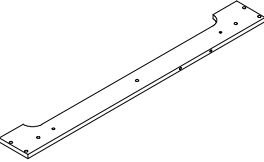
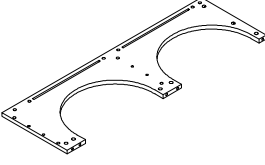
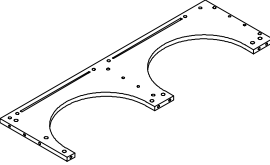
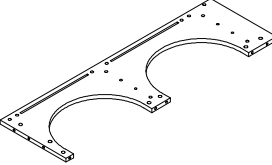
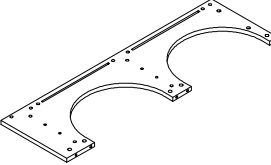
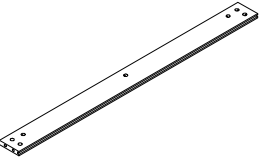
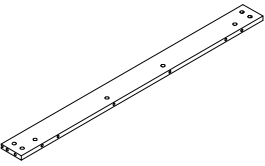
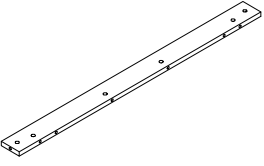
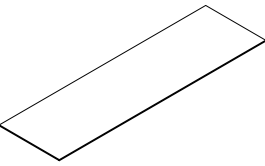
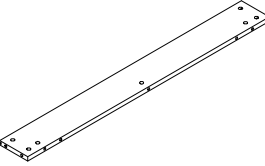
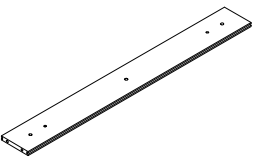
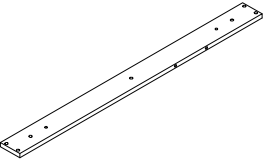




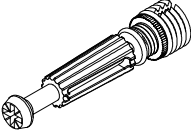
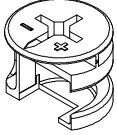
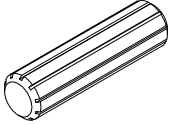
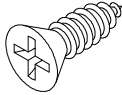
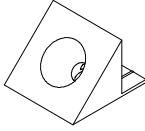

⚠ Caution

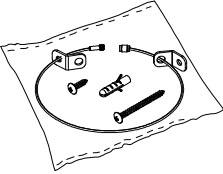

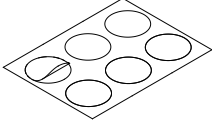
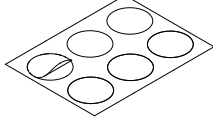
Make sure all parts are included. Most board parts are labeled or stamped on the raw edge. Contact us for a free replacement if you encounter any damaged or missing parts.

Parts List

<p>1</p>  <p>1 pc</p>	<p>2</p>  <p>1 pc</p>	<p>3</p>  <p>1 pc</p>	<p>4</p>  <p>2 pcs</p>	<p>5</p>  <p>1 pc</p>
<p>6</p>  <p>3 pcs</p>	<p>7</p>  <p>4 pcs</p>	<p>8</p>  <p>1 pc</p>	<p>9</p>  <p>2 pcs</p>	<p>10</p>  <p>1 pc</p>
<p>11</p>  <p>1 pc</p>	<p>12</p>  <p>1 pc</p>	<p>13</p>  <p>1 pc</p>	<p>14</p>  <p>1 pc</p>	<p>15</p>  <p>2 pcs</p>
<p>16</p>  <p>1 pc</p>	<p>17</p>  <p>1 pc</p>	<p>18</p>  <p>4 pcs</p>	<p>19</p>  <p>1 pc</p>	<p>20</p>  <p>2 pcs</p>
<p>21</p>  <p>1 pc</p>				

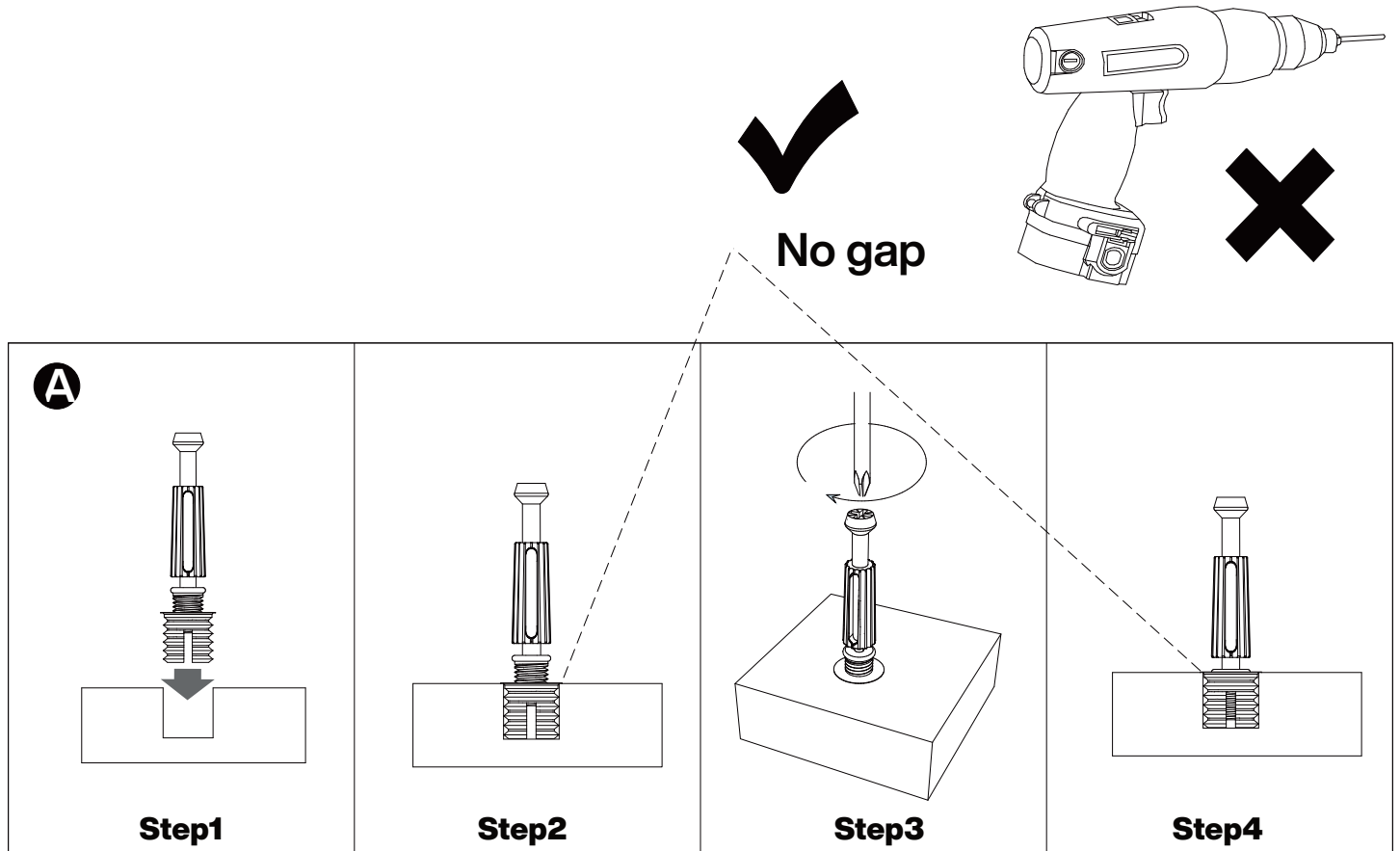
Hardware List

A	B	C	D	E	F
					
<p>M6x35mm 132+2 pcs</p>	<p>Ø12x10mm 132+2 pcs</p>	<p>Ø8x30mm 84+2 pcs</p>	<p>Ø3.5x14mm 16+1 pcs</p>	<p>16+1 pcs</p>	<p>Ø14x16mm 8 pcs</p>

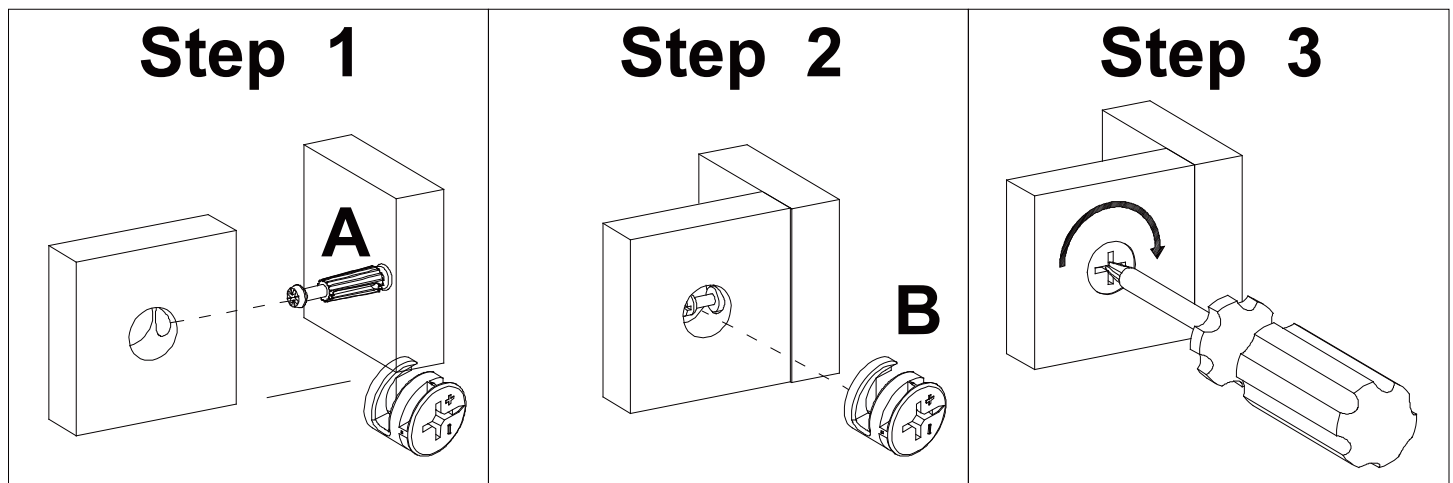
G	H	I	J		
	 <p>Screwdriver</p>	 <p>Hole paste Ø18</p>	 <p>Hole paste Ø18</p>		
<p>1 pc</p>	<p>1 pc</p>	<p>26 pcs</p>	<p>26 pcs</p>		

Installation of Cams and Pins


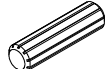
Read each step carefully before starting. Each step of instruction should be performed in the correct order. If these steps are not followed in sequence, assembly difficulties may occur.

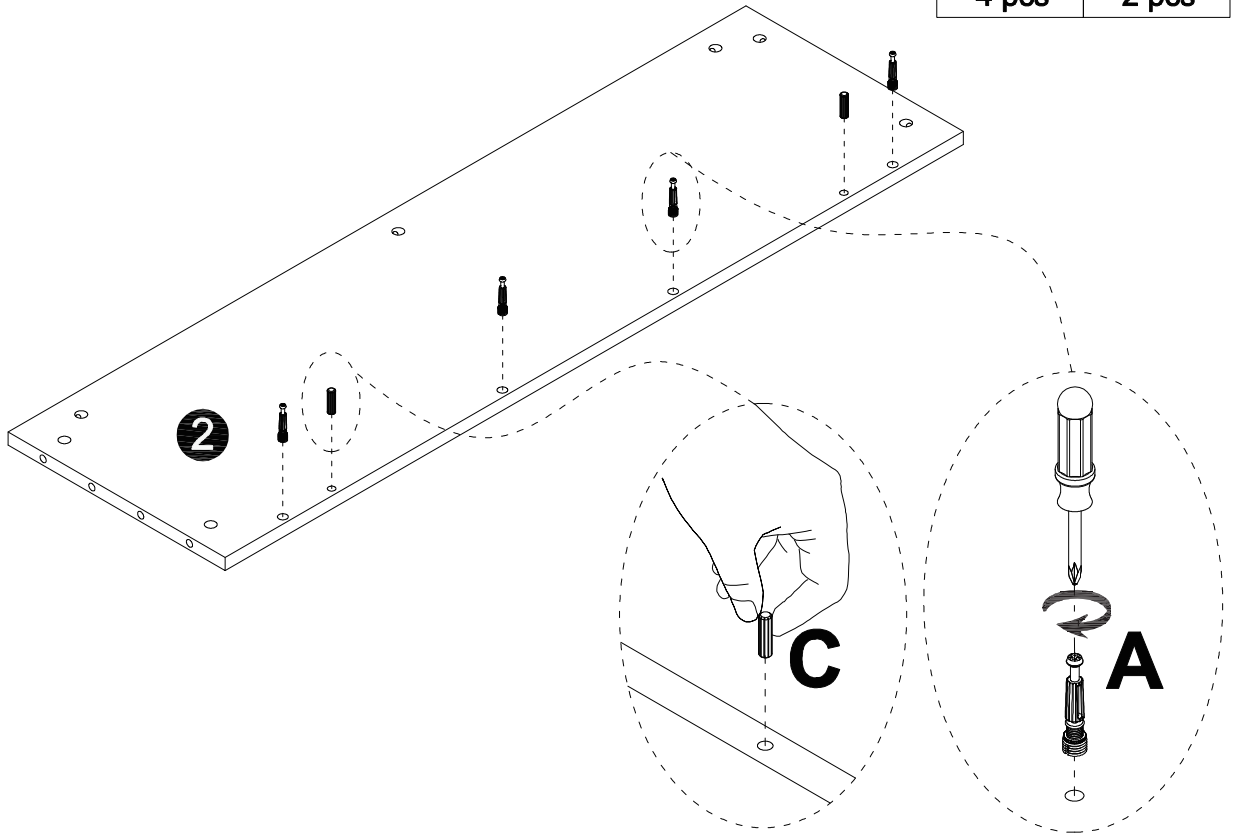


Screw the pin into the hole. Set the cams correctly by aligning the head of the cams with the lock pins. Lock the cam by turning the cam head with a screwdriver until it is tightened. Please do not use an electric screwdriver to assemble the unit.




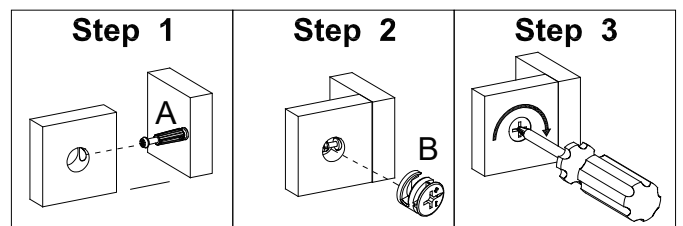
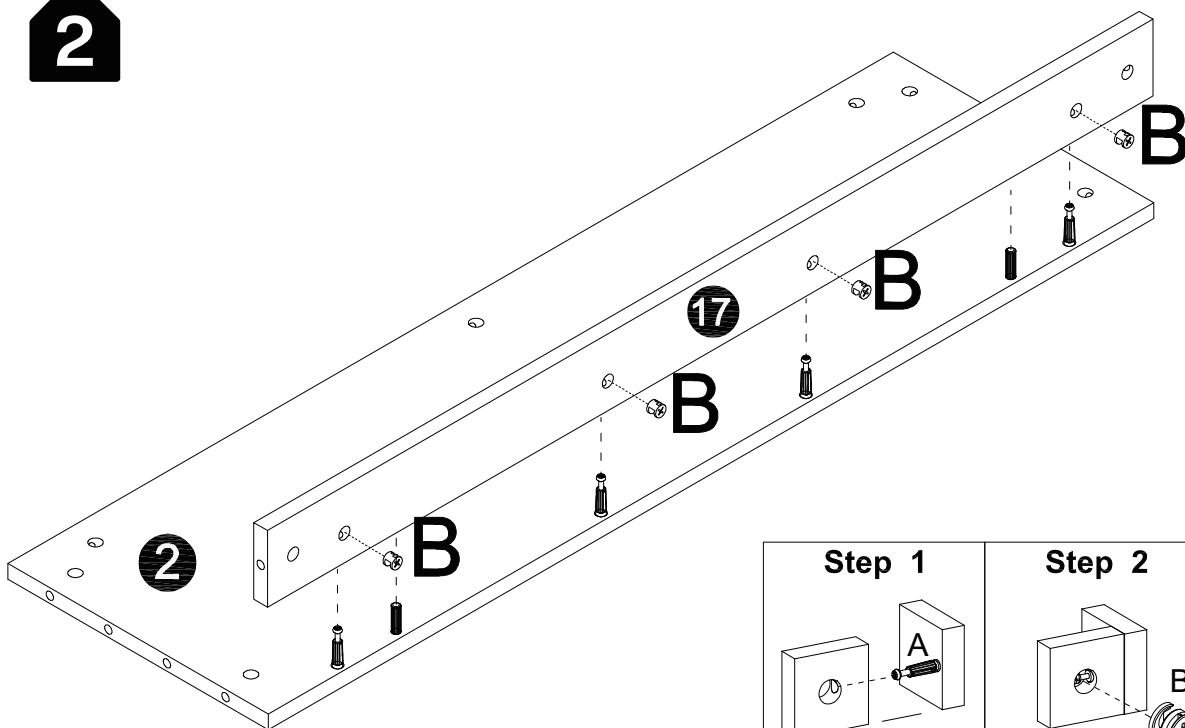
1

A	C
	
M6x35mm	Ø8x30mm
4 pcs	2 pcs


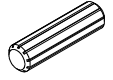


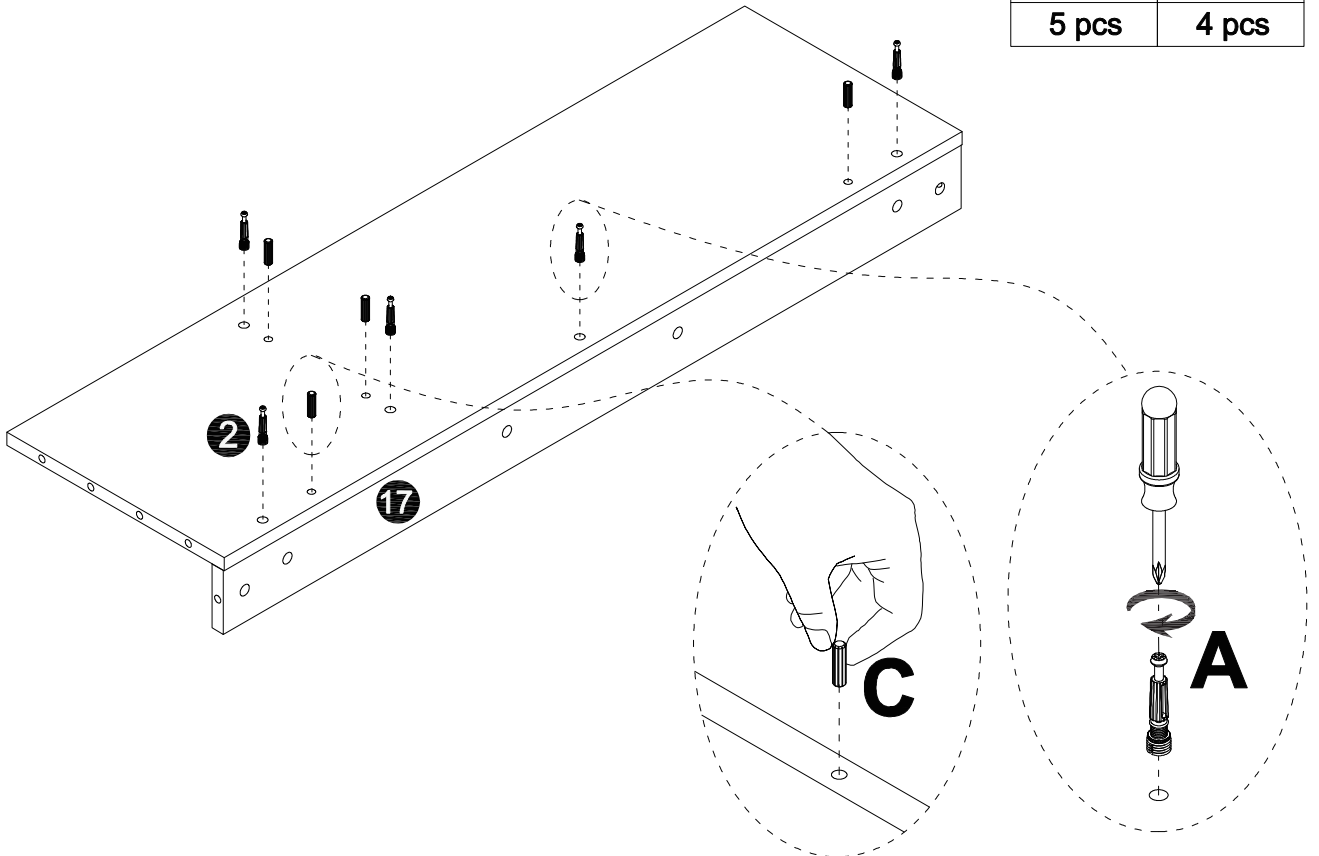
2

B

Ø12x10mm
4 pcs




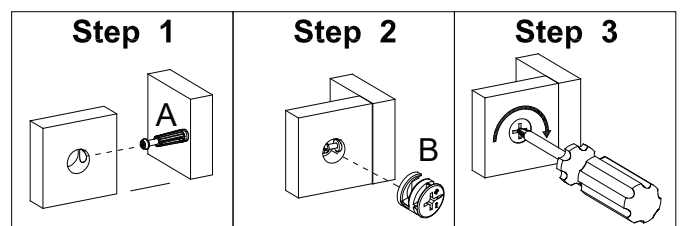
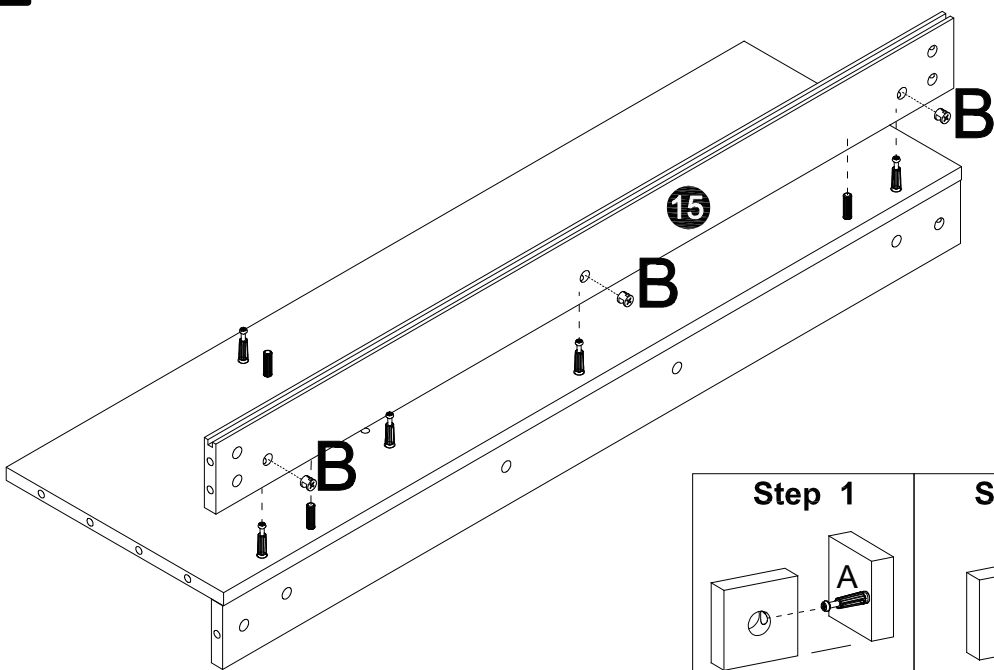
3

A	C
	
M6x35mm	Ø8x30mm
5 pcs	4 pcs

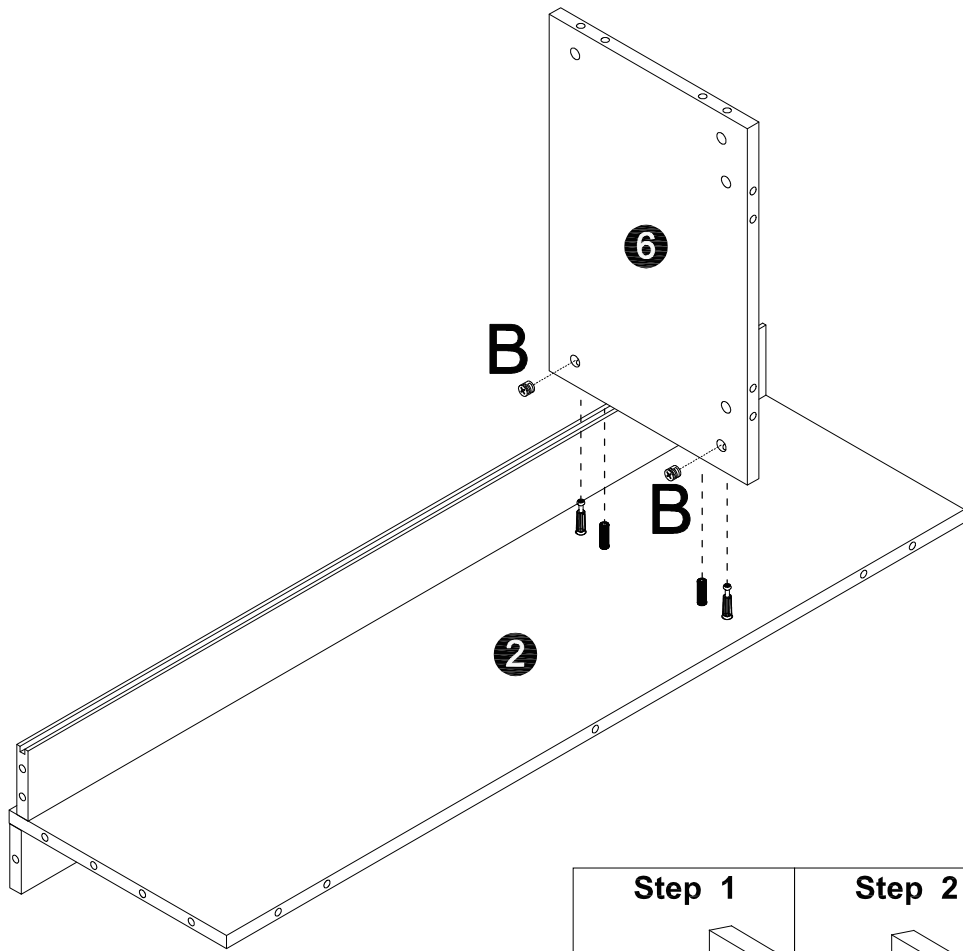



4

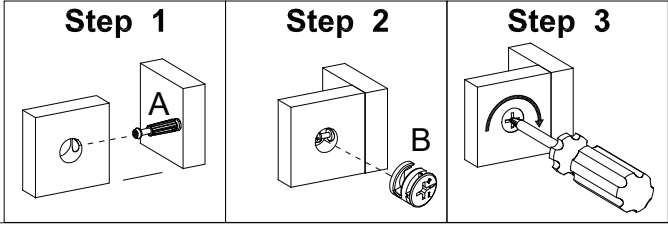
B

Ø12x10mm
3 pcs



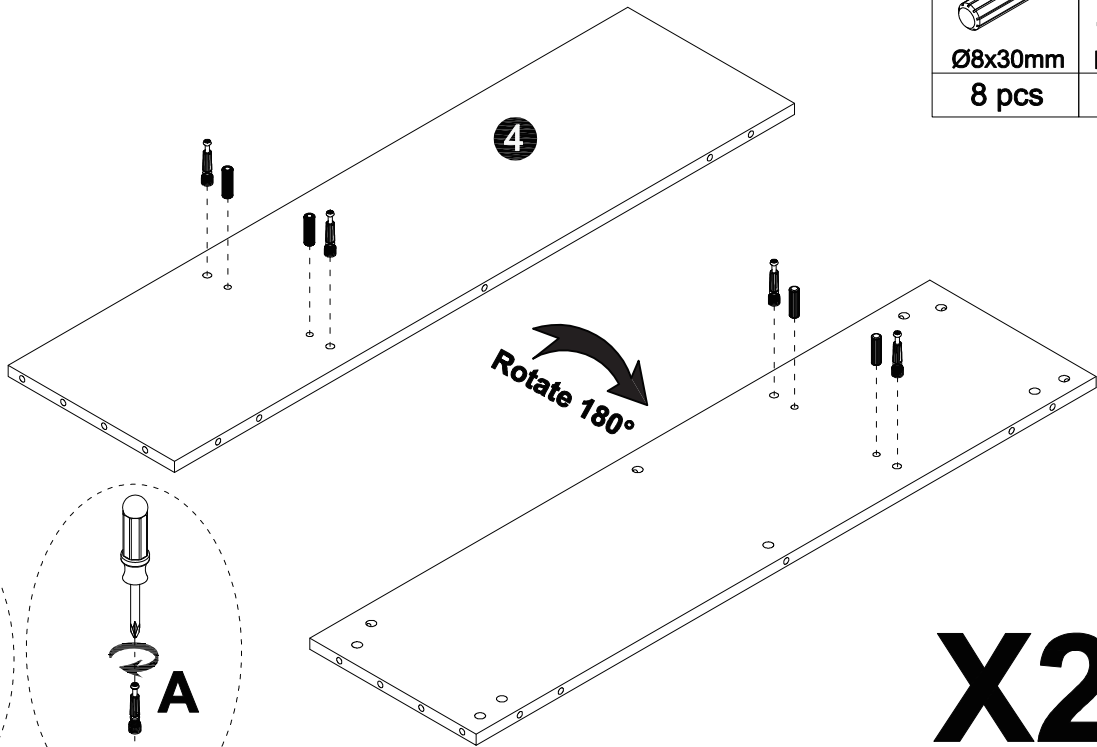
5

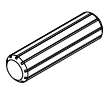



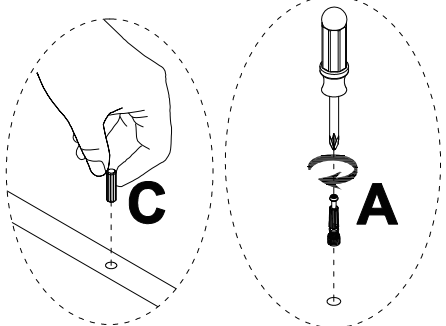
B

Ø12x10mm
2 pcs



6

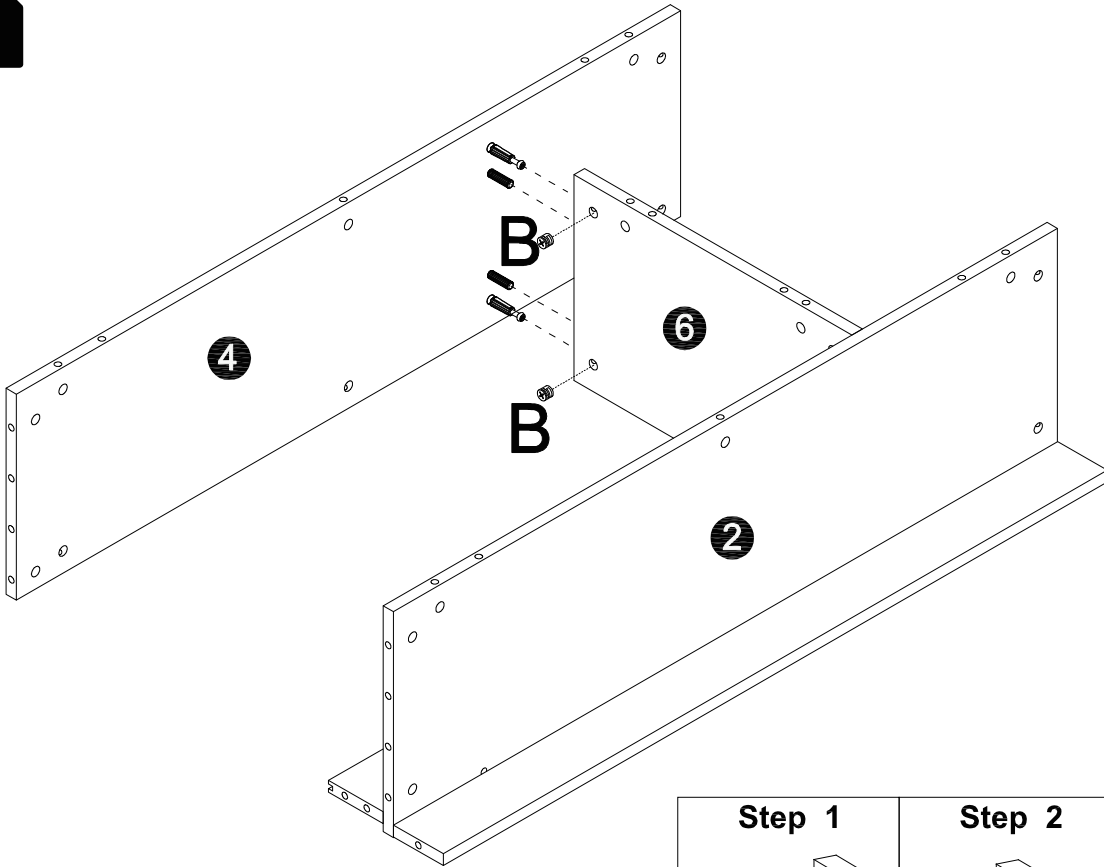



C	A
	
Ø8x30mm	M6x35mm
8 pcs	8 pcs

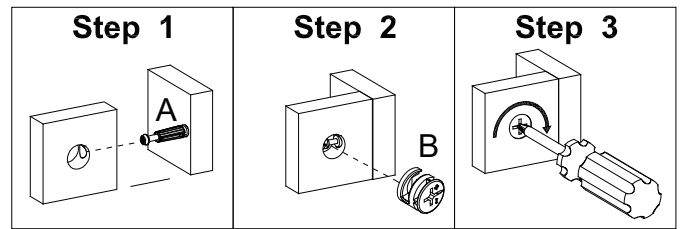


X2

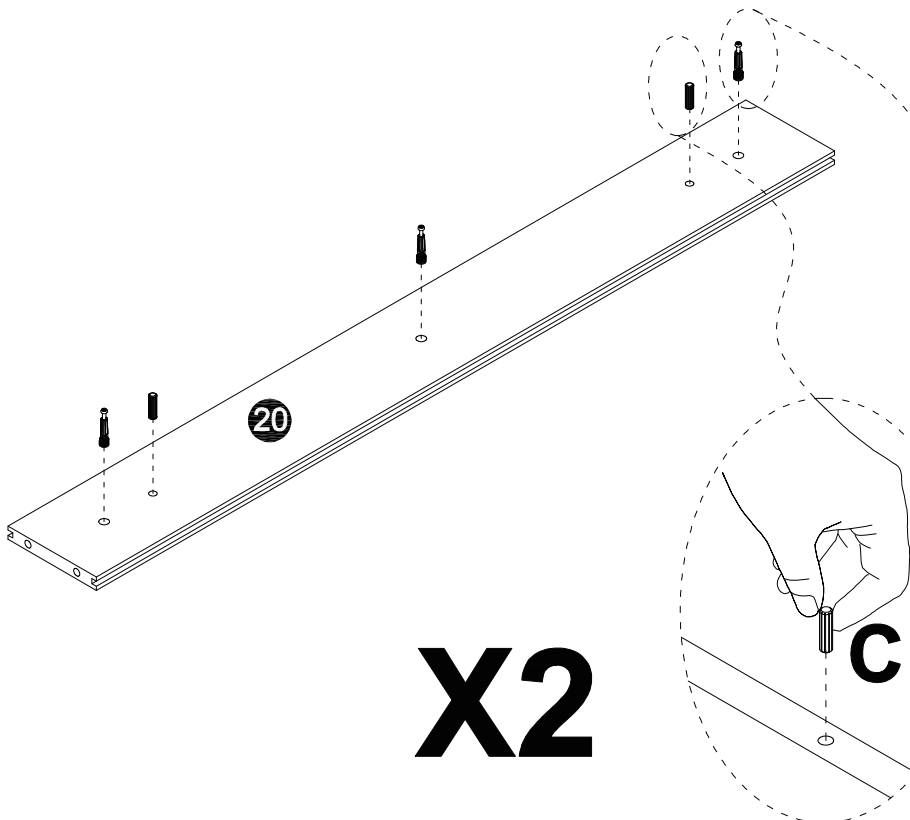
7

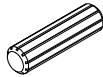



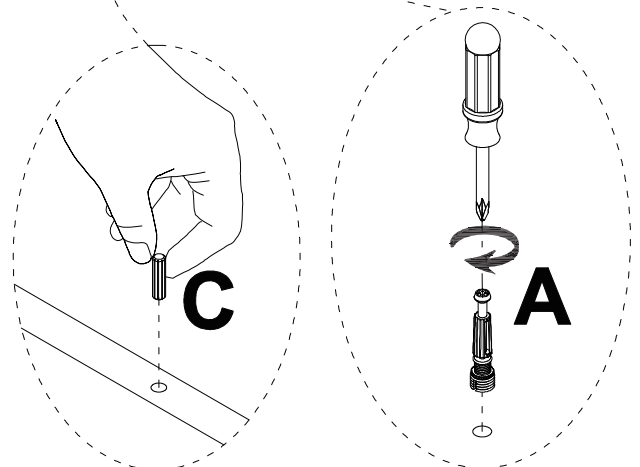
B

Ø12x10mm
2 pcs



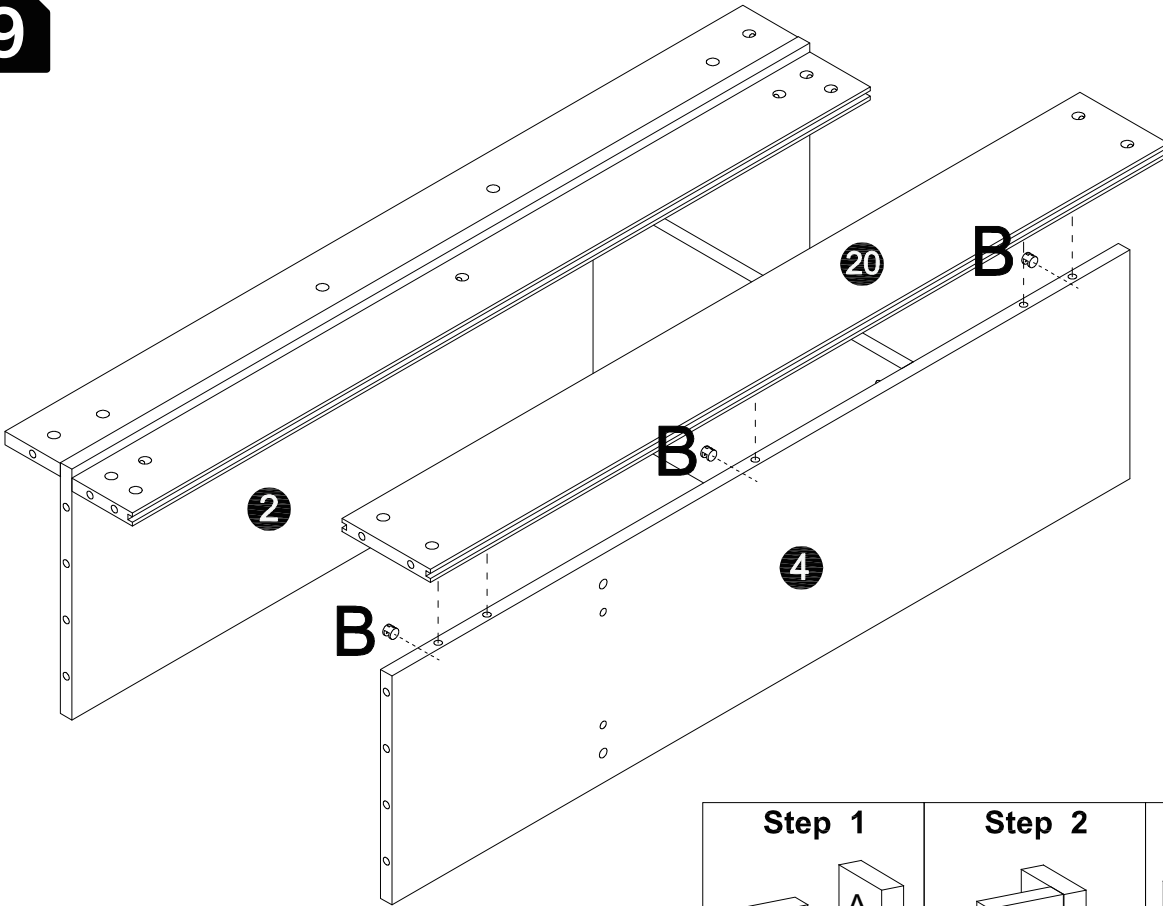
8

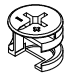


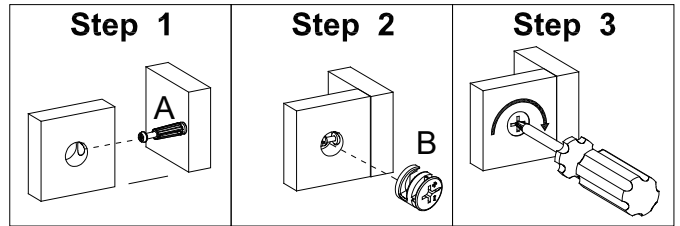
C	A
	
Ø8x30mm	M6x35mm
4 pcs	6 pcs



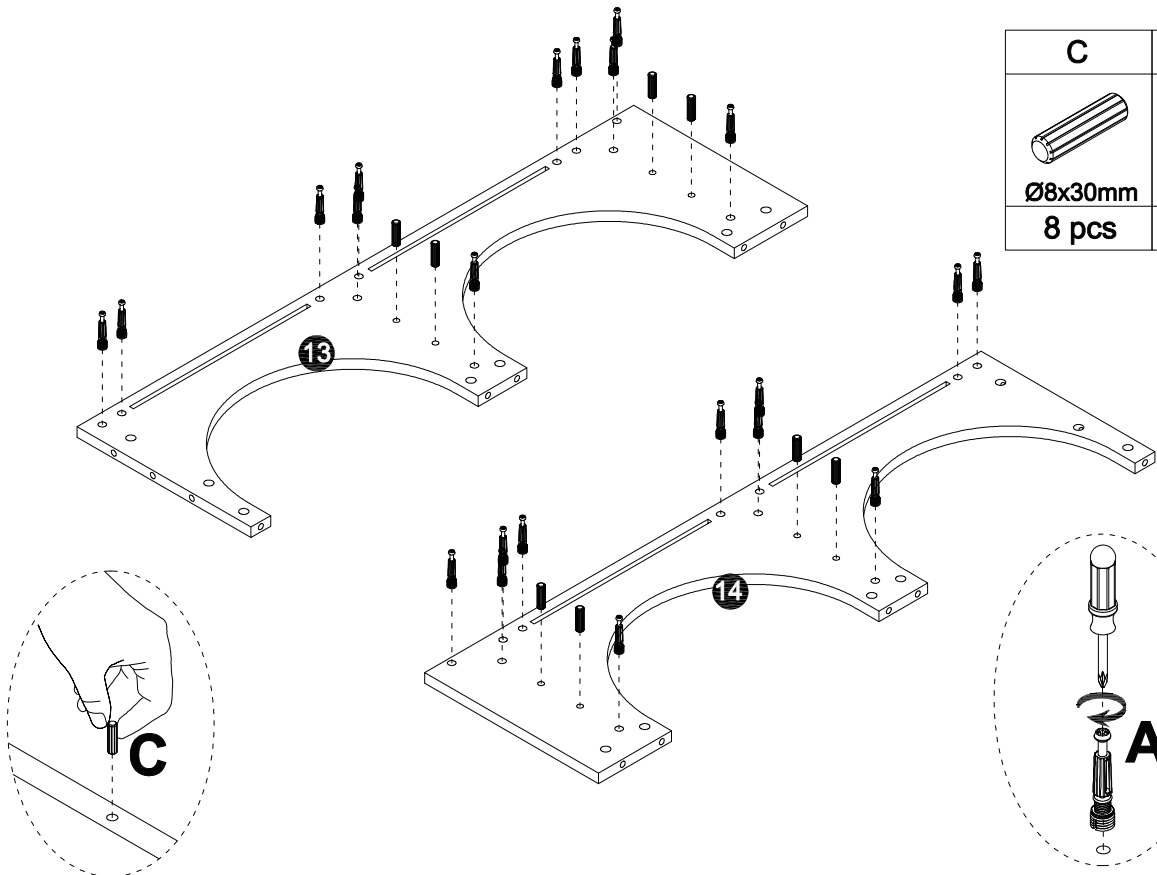
9

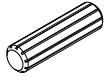



B

Ø12x10mm
3 pcs

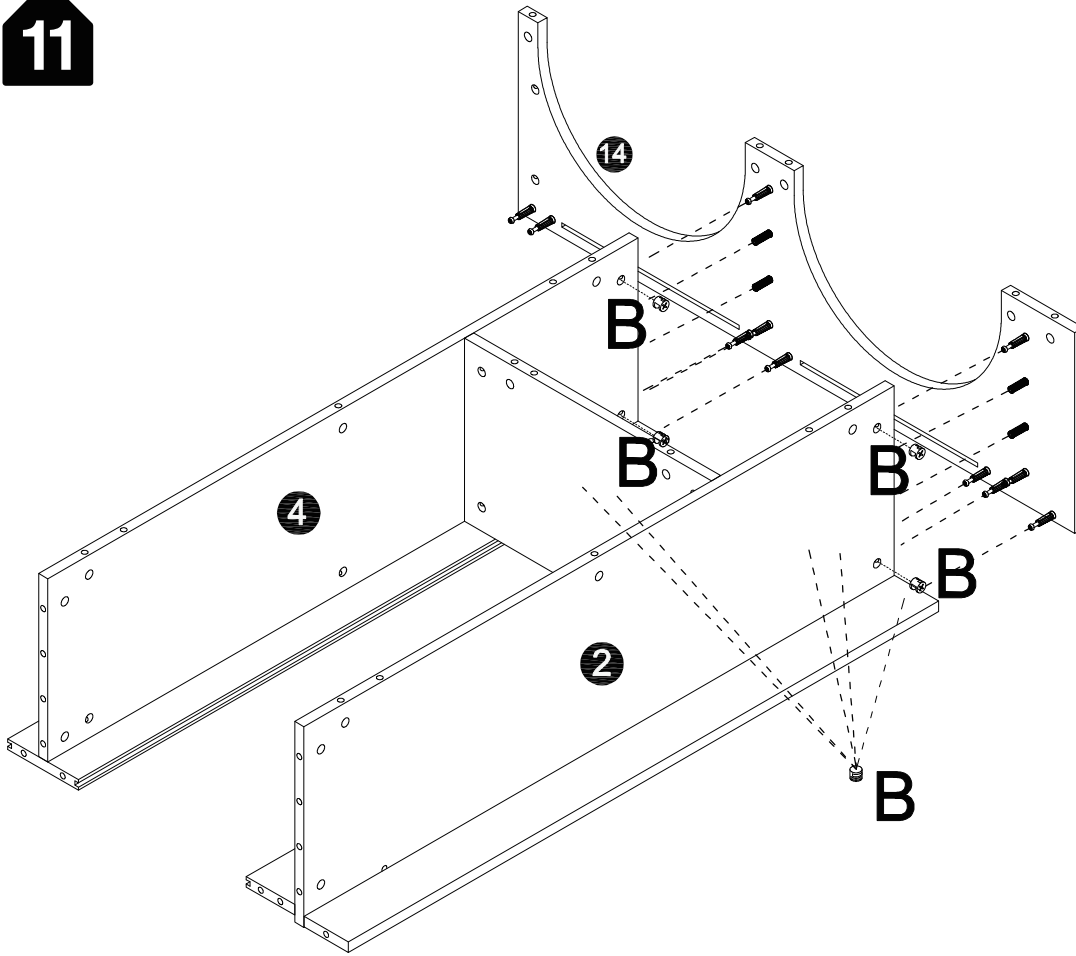



10



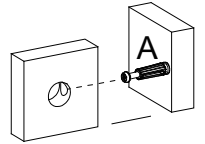
C	A
	
Ø8x30mm	M6x35mm
8 pcs	22 pcs

11

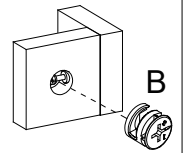


B

Ø12x10mm
9 pcs

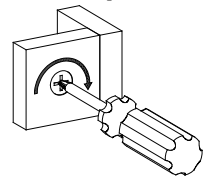
Step 1



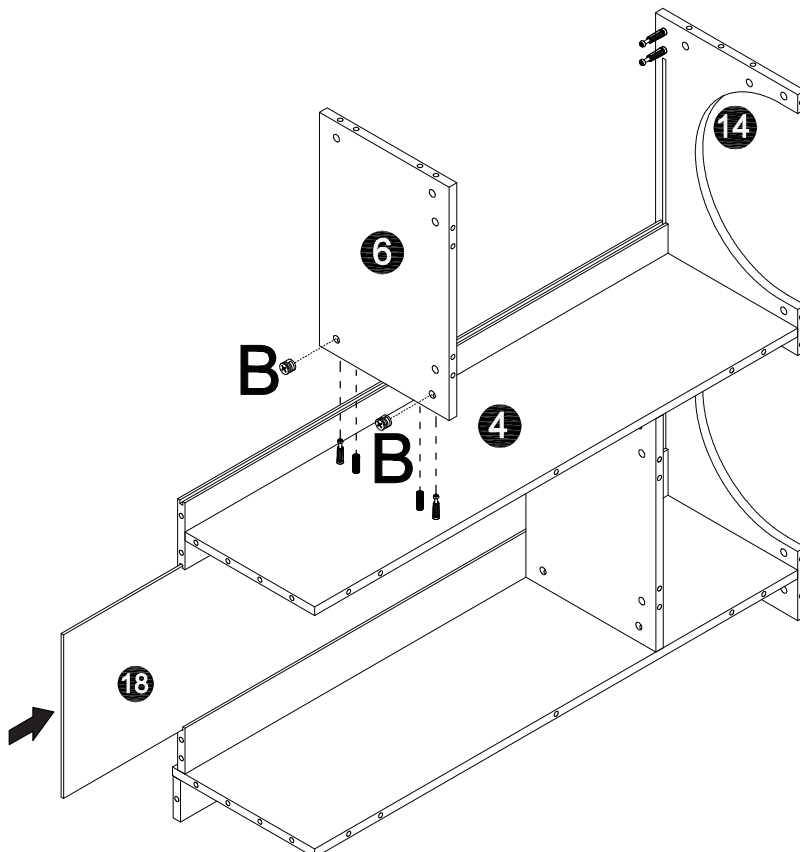
Step 2




Step 3

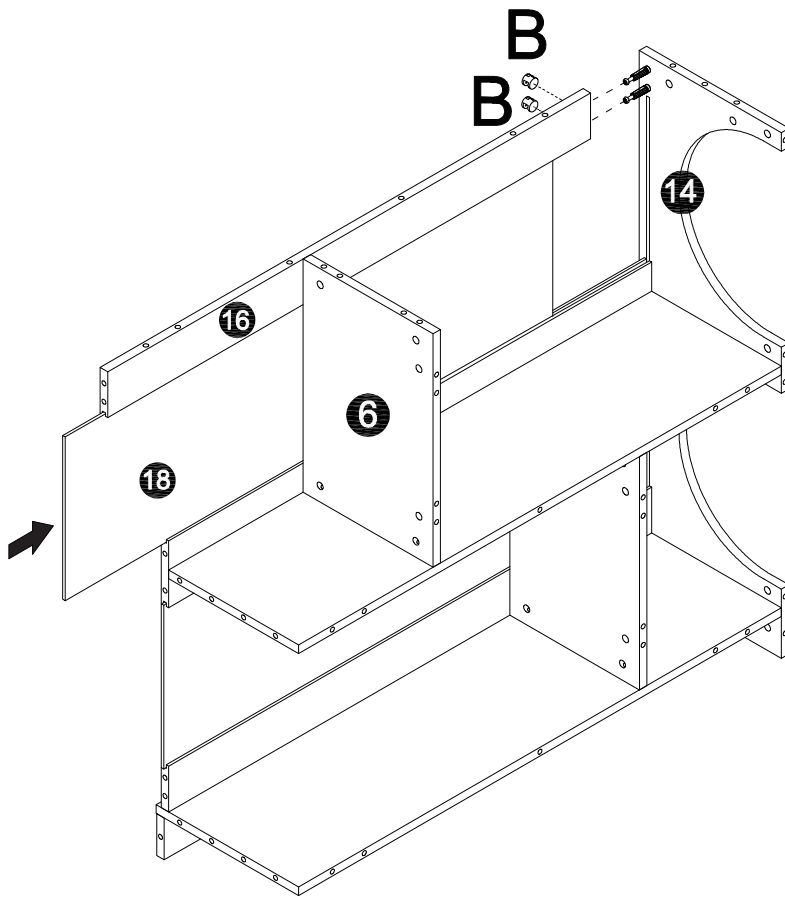



12



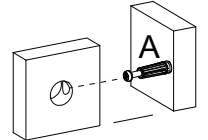
B

Ø12x10mm
2 pcs

13

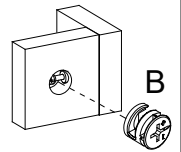


B

Ø12x10mm
2 pcs

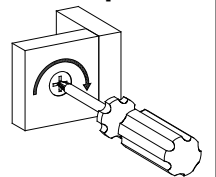
Step 1



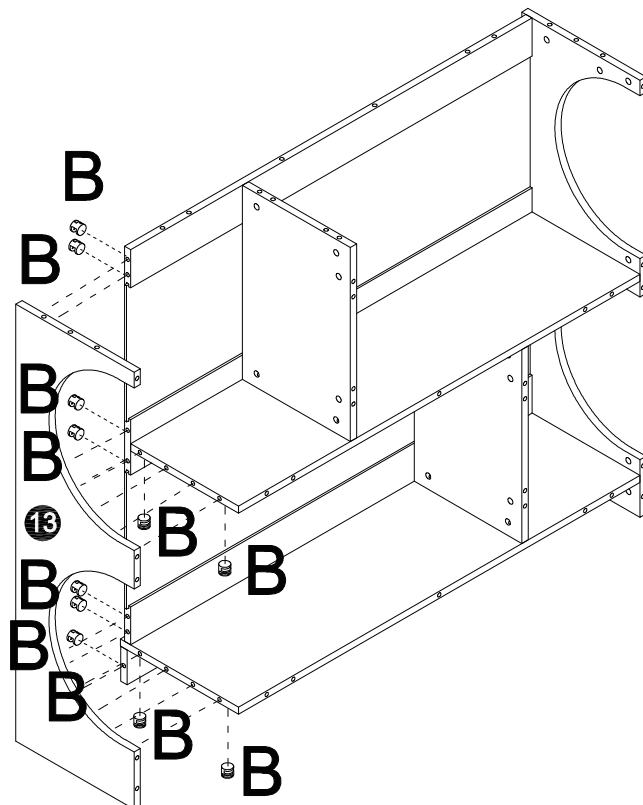
Step 2




Step 3

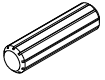



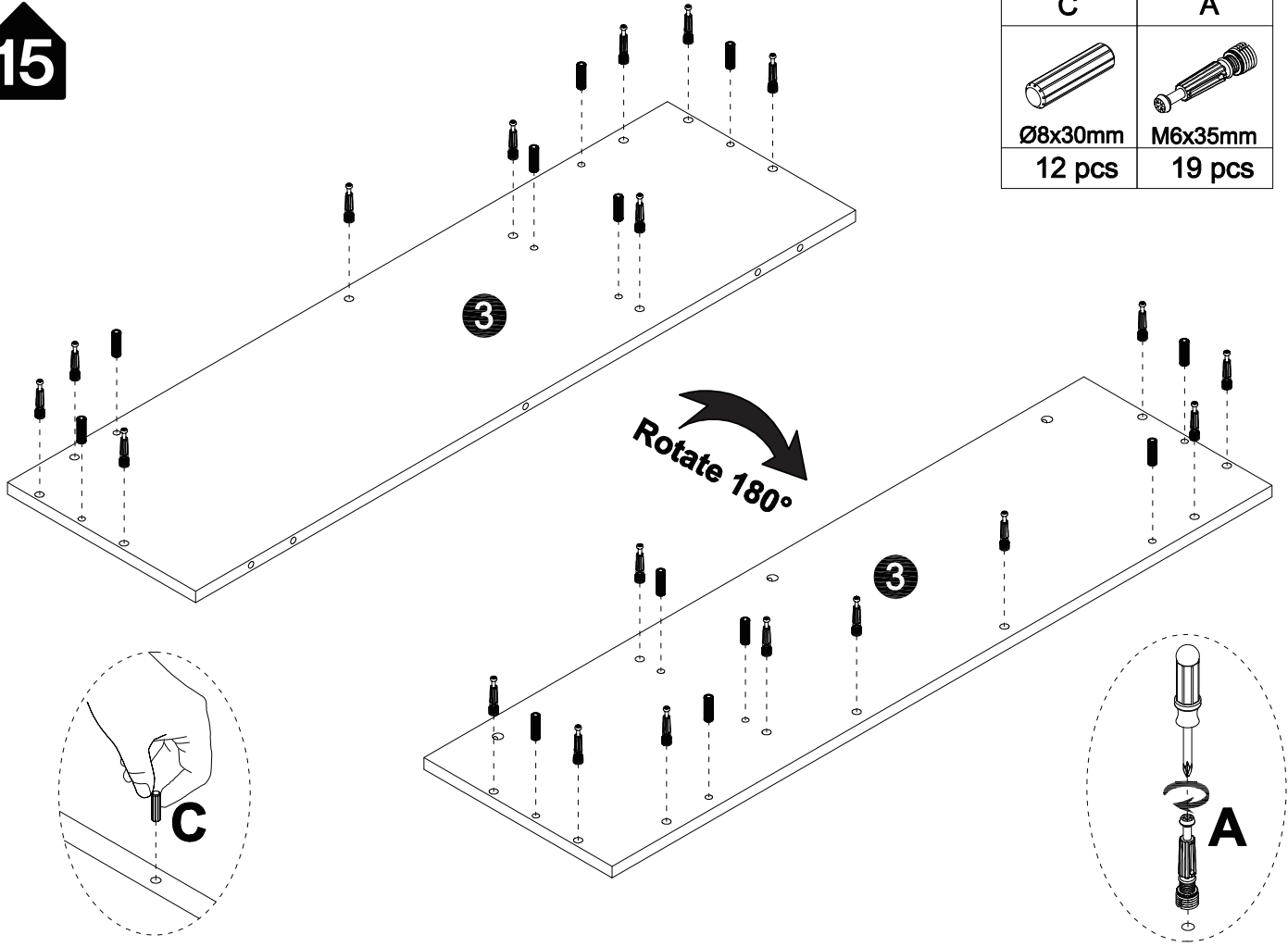
14




B

Ø12x10mm
11 pcs

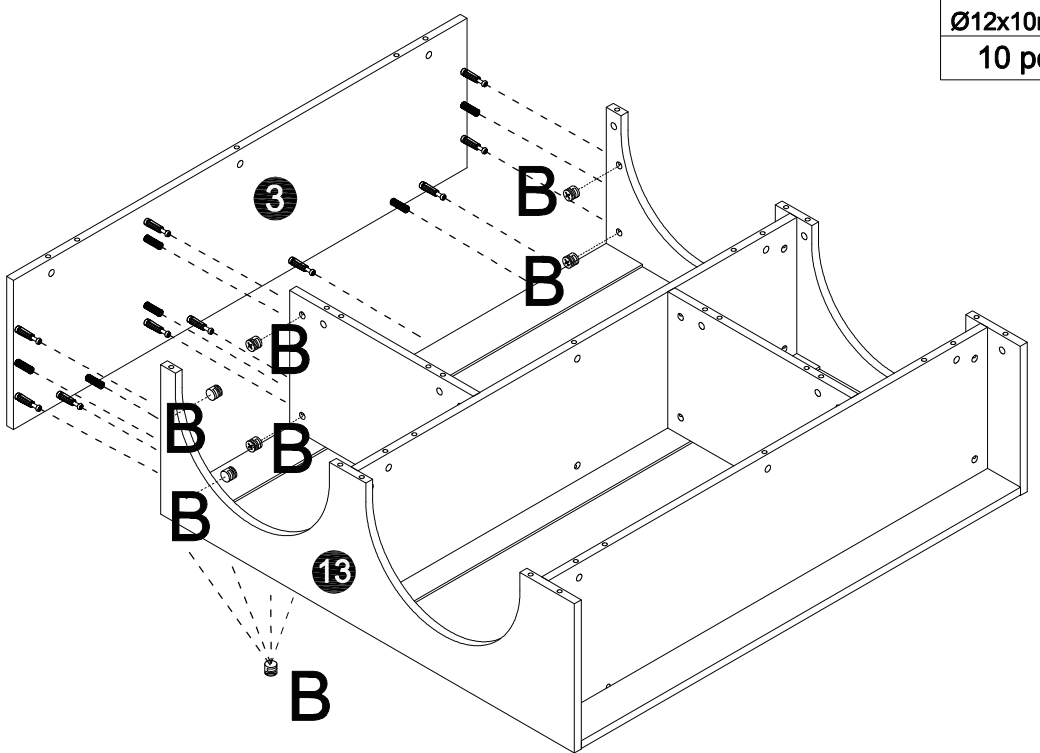
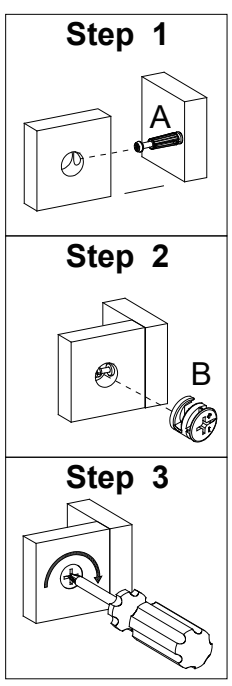
15

C	A
	
Ø8x30mm	M6x35mm
12 pcs	19 pcs

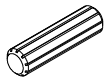



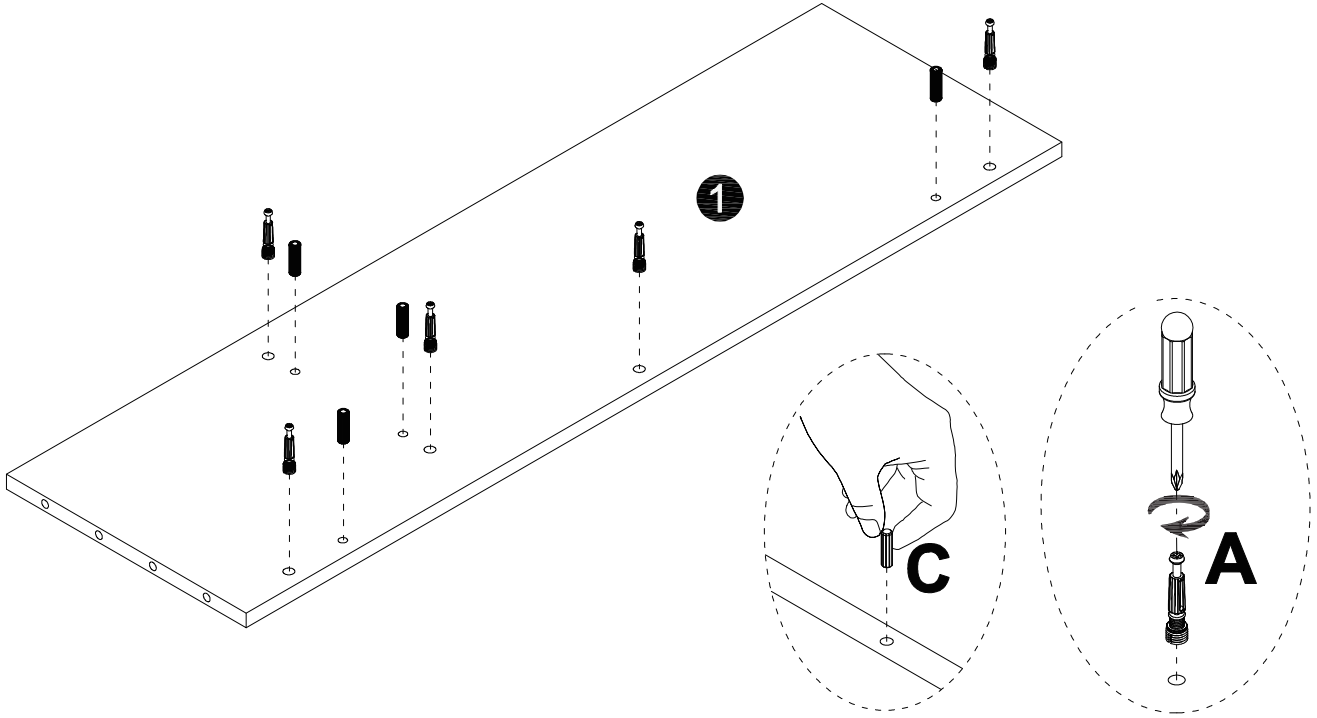
16

B

Ø12x10mm
10 pcs




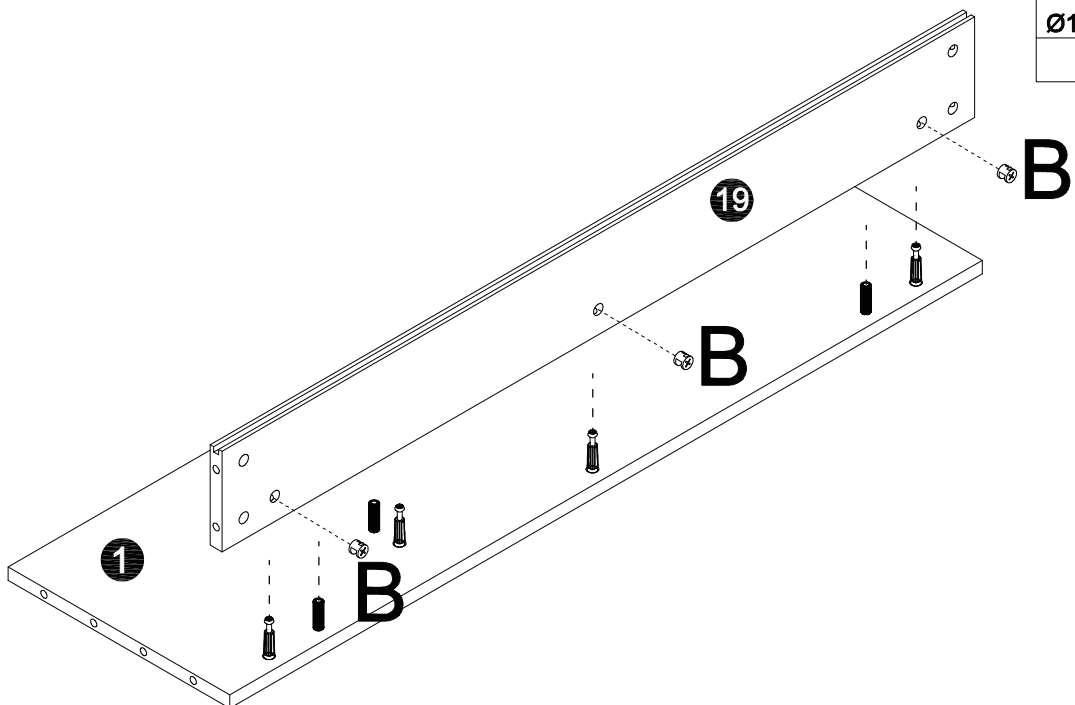
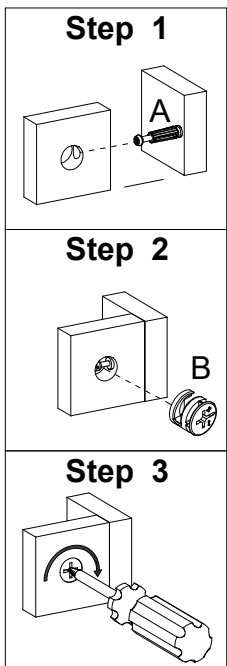
17

C	A
	
Ø8x30mm	M6x35mm
4 pcs	5 pcs

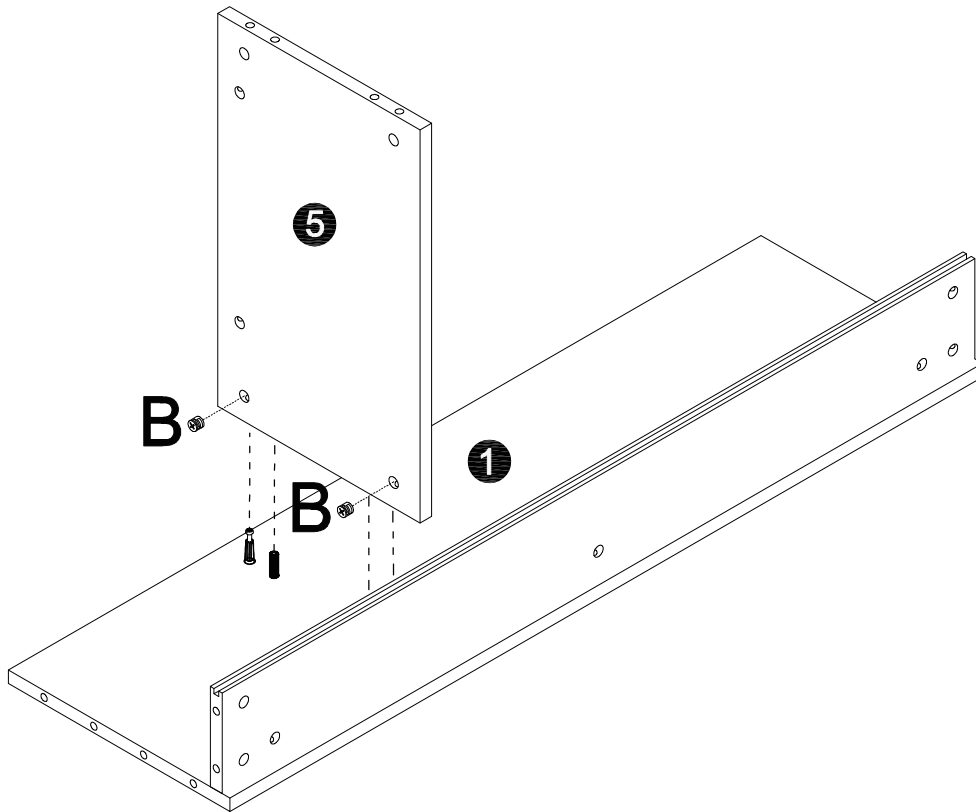



18

B

Ø12x10mm
3 pcs

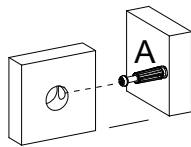


19

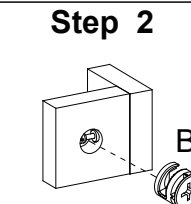


B

Ø12x10mm
2 pcs

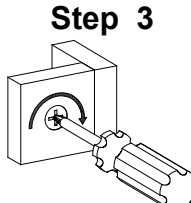
Step 1



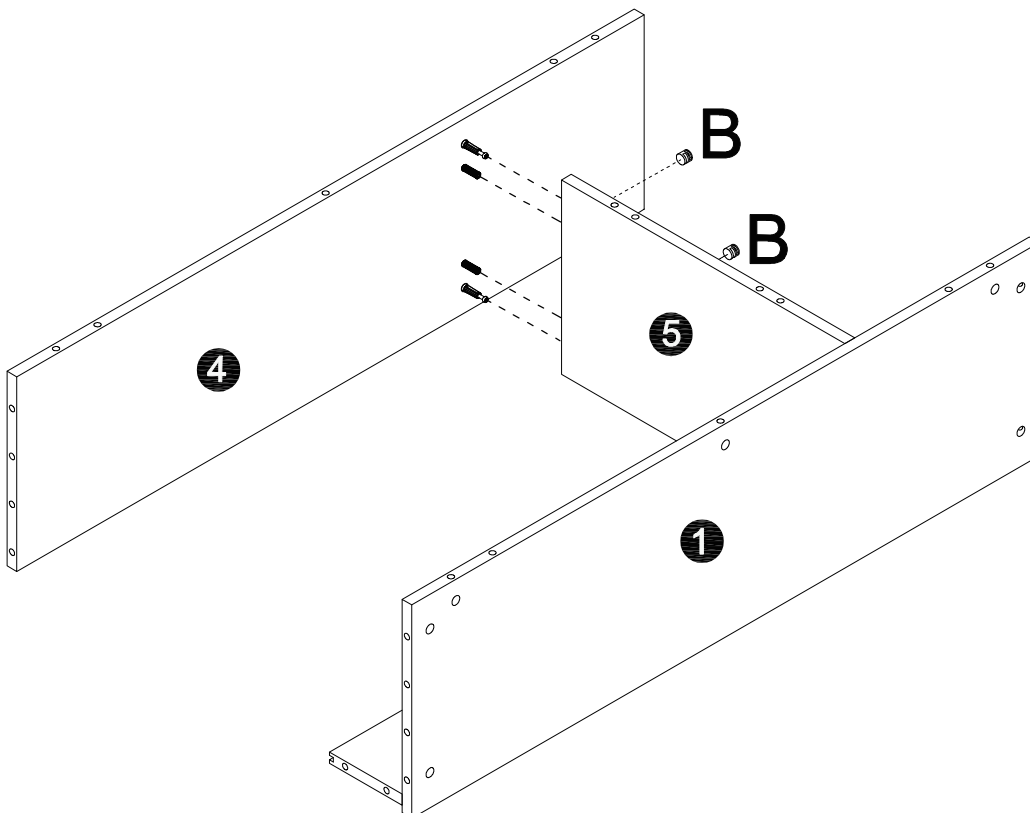
Step 2




Step 3

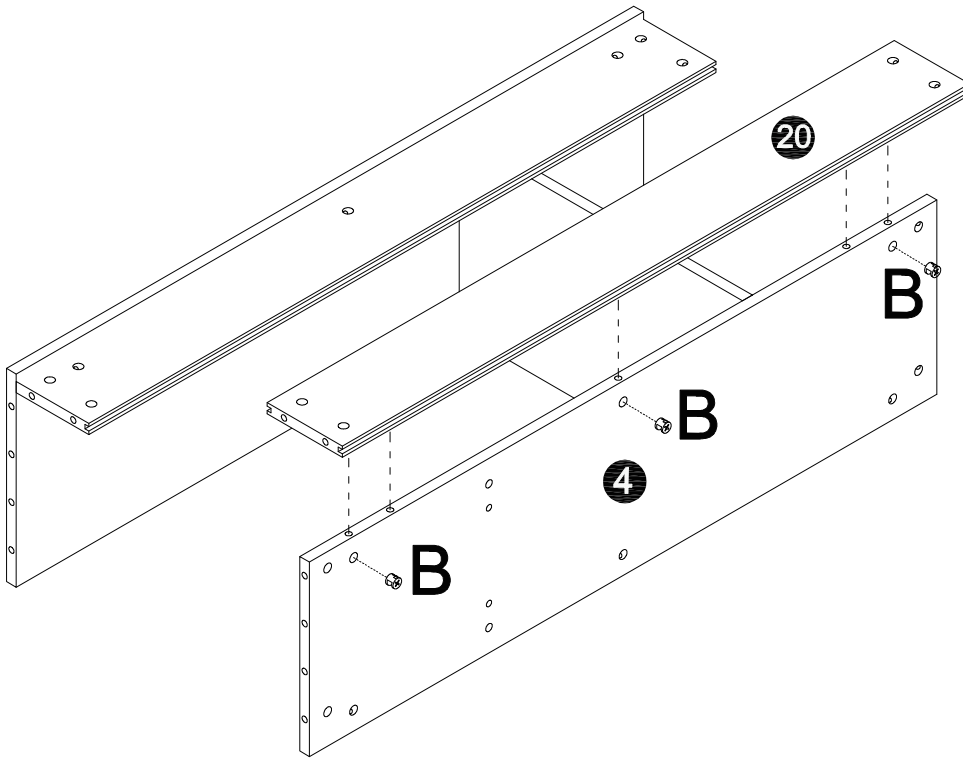



20



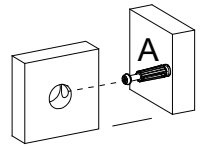
B

Ø12x10mm
2 pcs

21

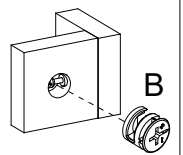


B

Ø12x10mm
3 pcs

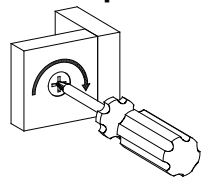
Step 1



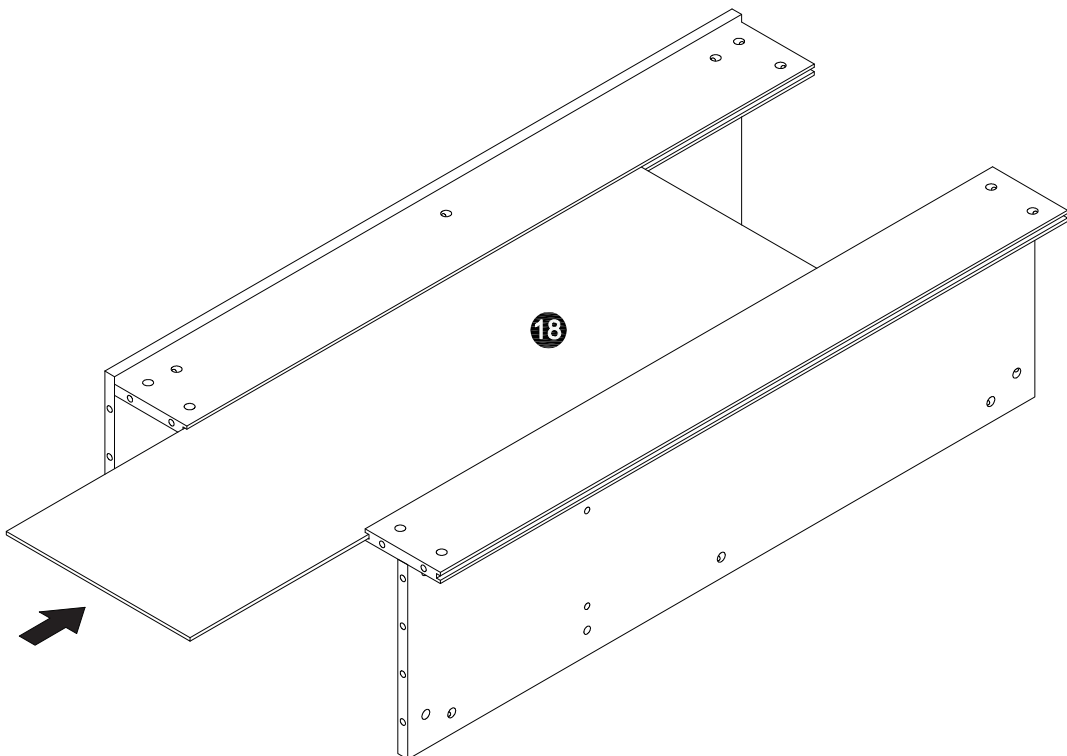
Step 2



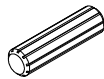
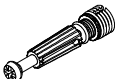
Step 3

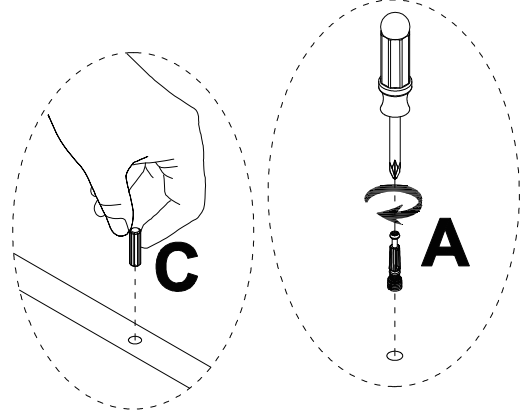
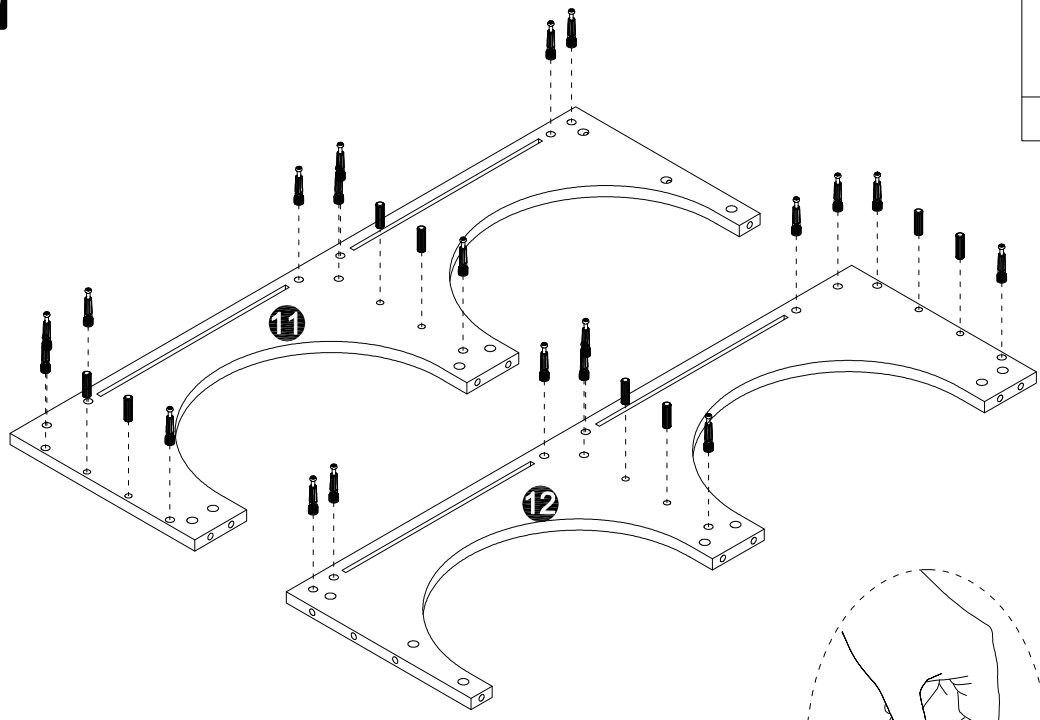


22

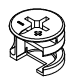


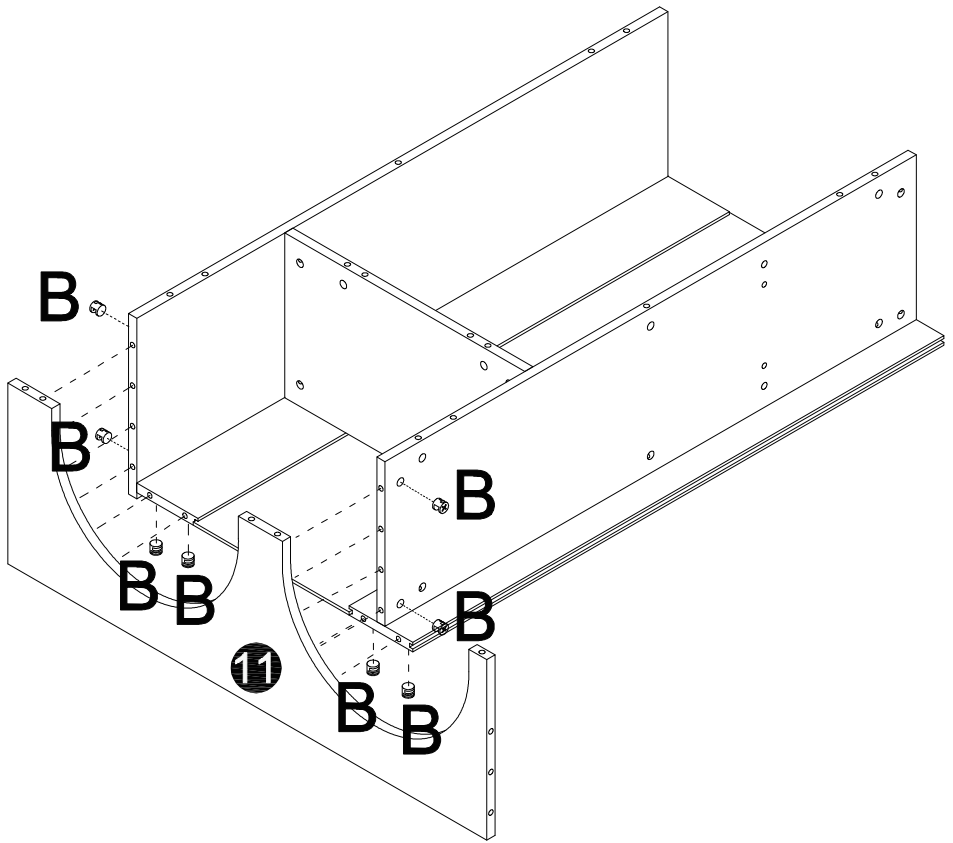
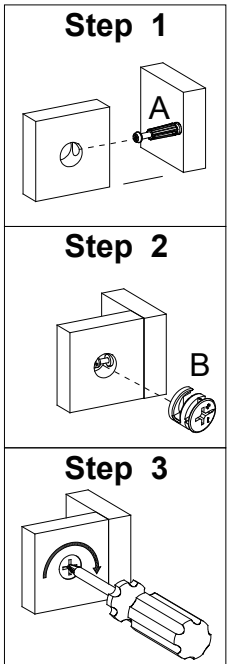
23

C	A
	
Ø8x30mm	M6x35mm
8 pcs	20 pcs

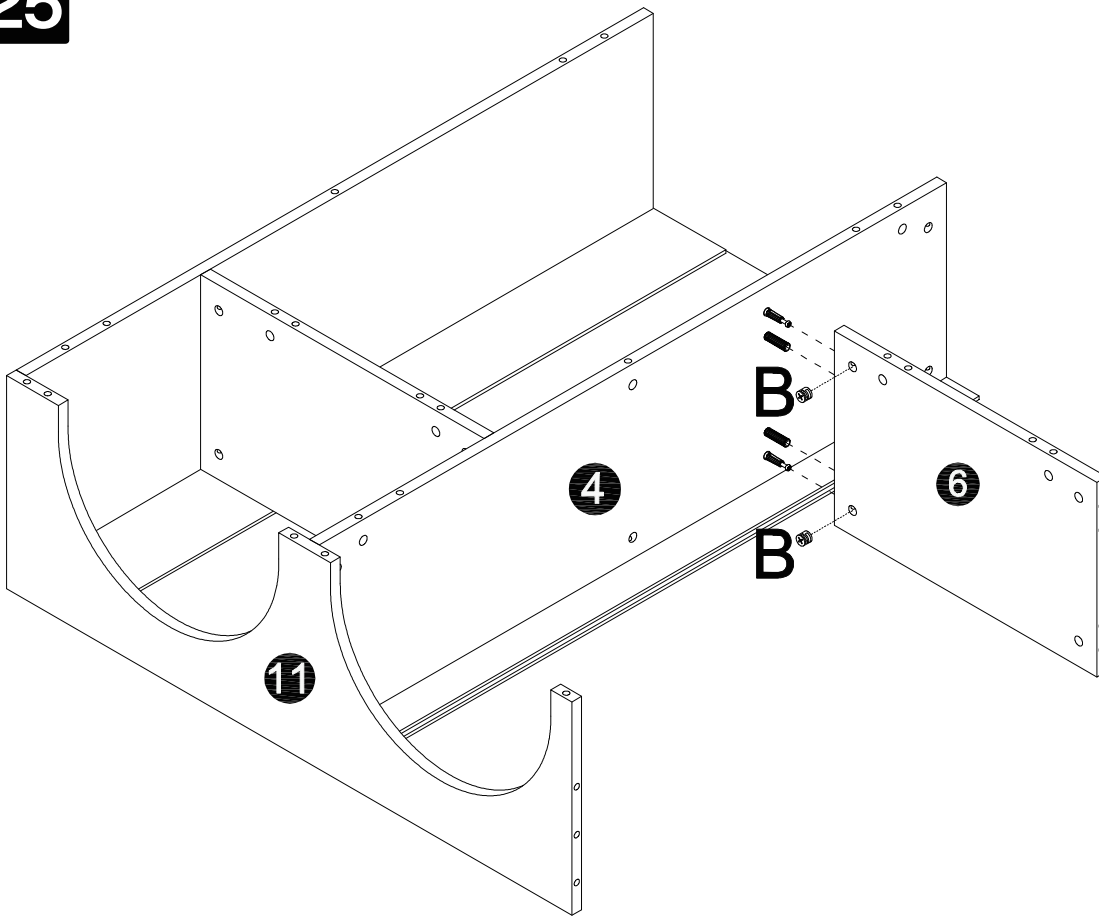



24

B

Ø12x10mm
8 pcs

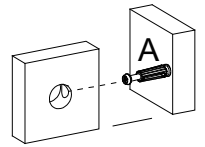


25

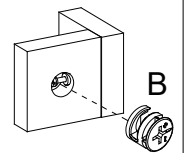


B

Ø12x10mm
2 pcs

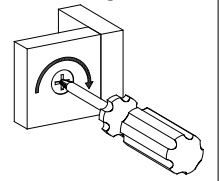
Step 1



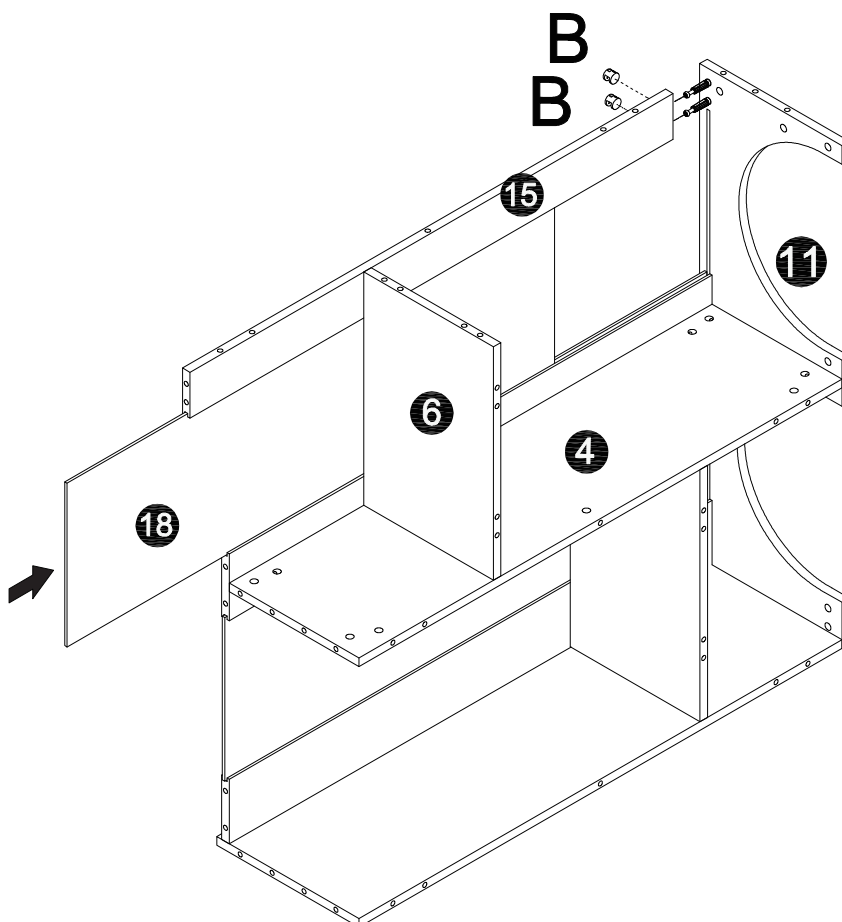
Step 2




Step 3

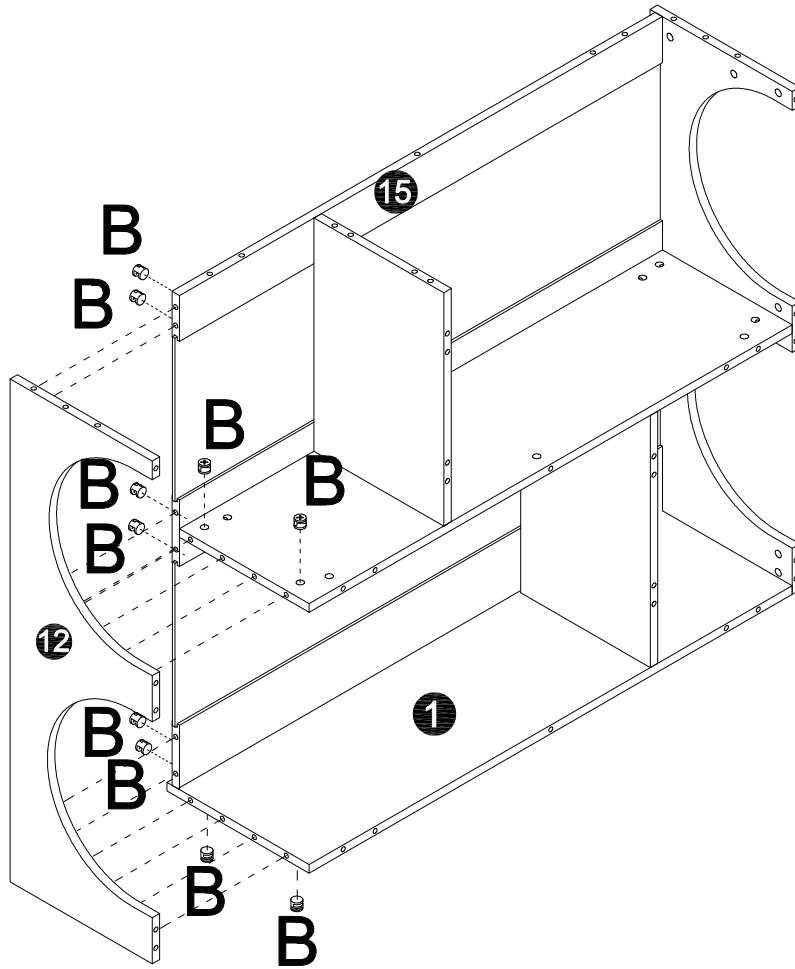



26



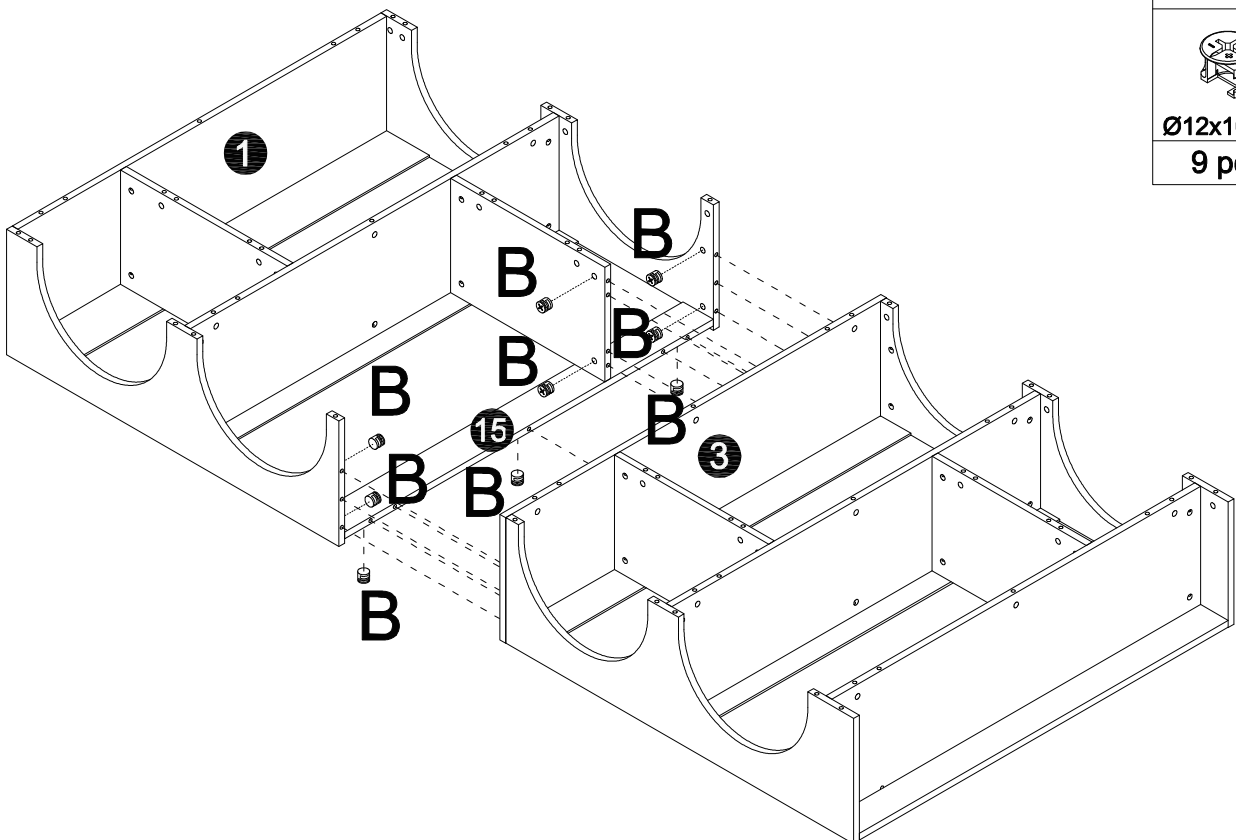
B

Ø12x10mm
2 pcs


27



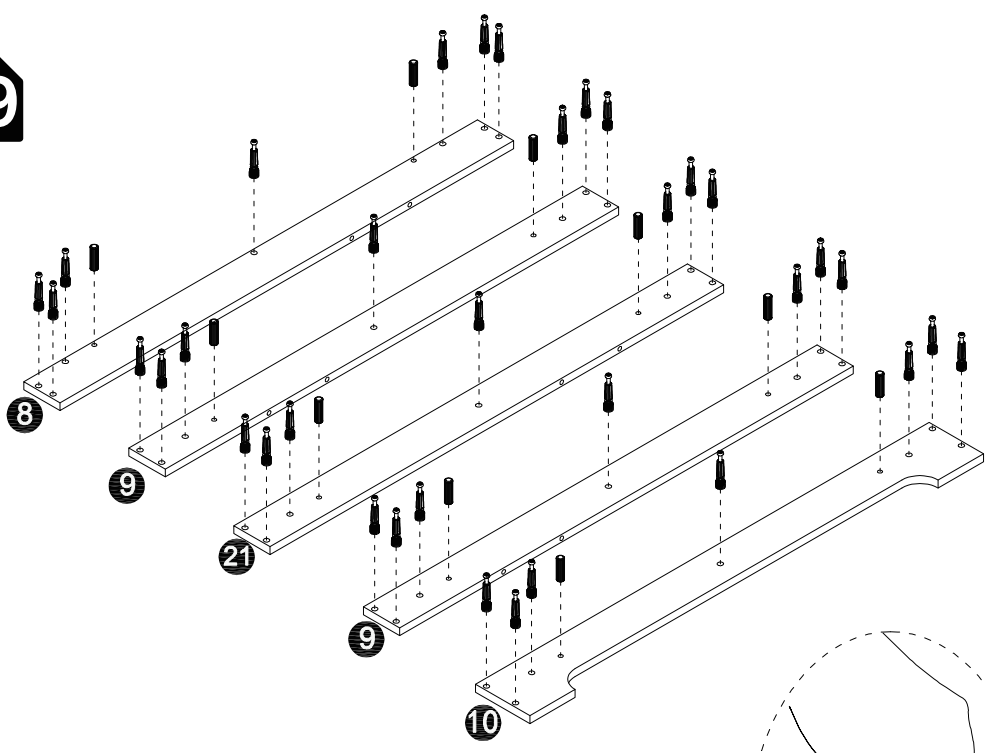
B

Ø12x10mm
10 pcs

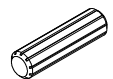
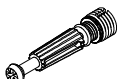
28

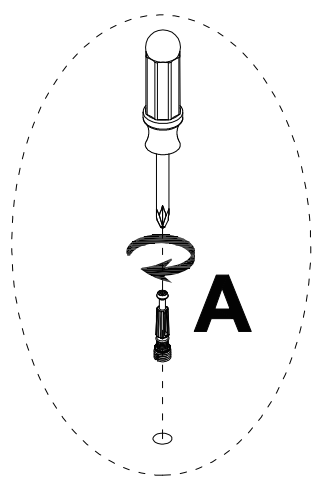
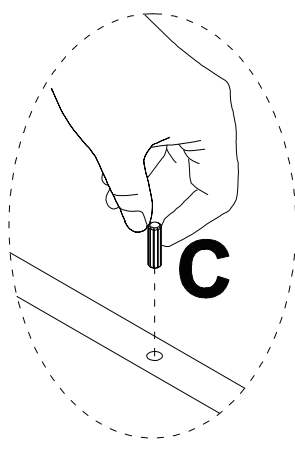


B

Ø12x10mm
9 pcs

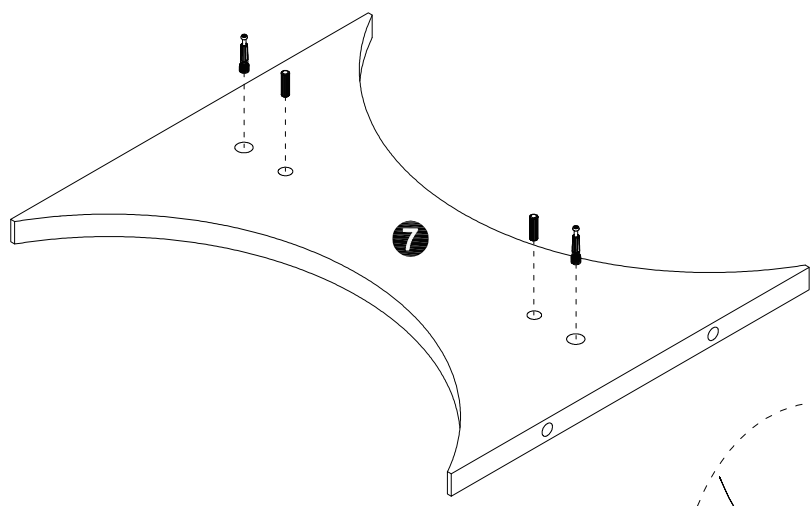
29

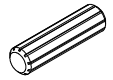



C	A
	
Ø8x30mm 10 pcs	M6x35mm 35 pcs

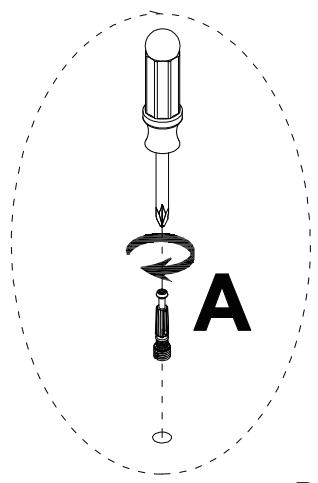
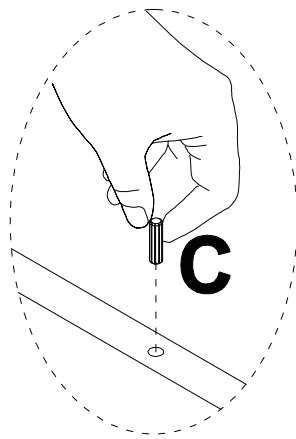


30

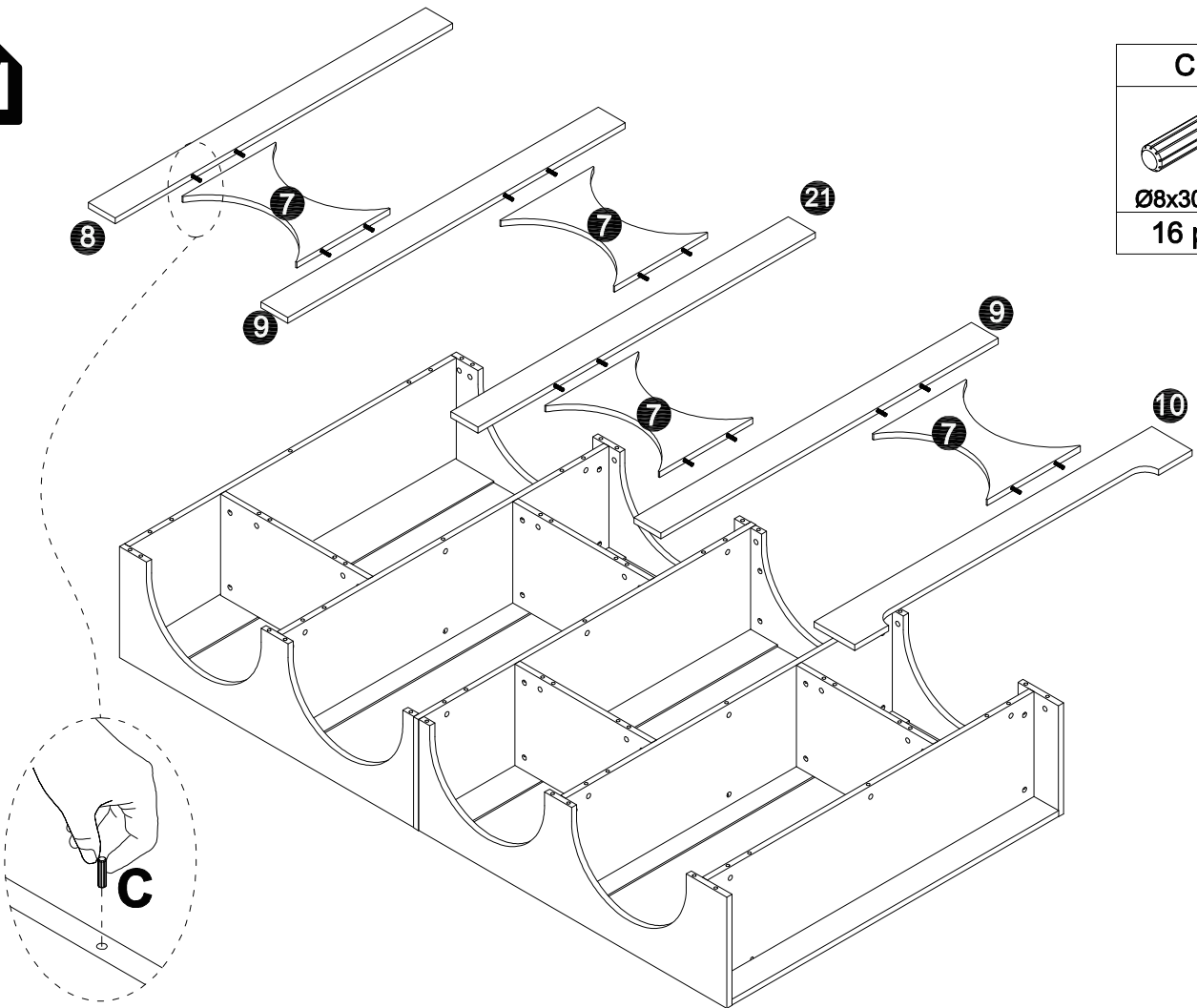


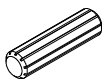
C	A
	
Ø8x30mm 8 pcs	M6x35mm 8 pcs

X4

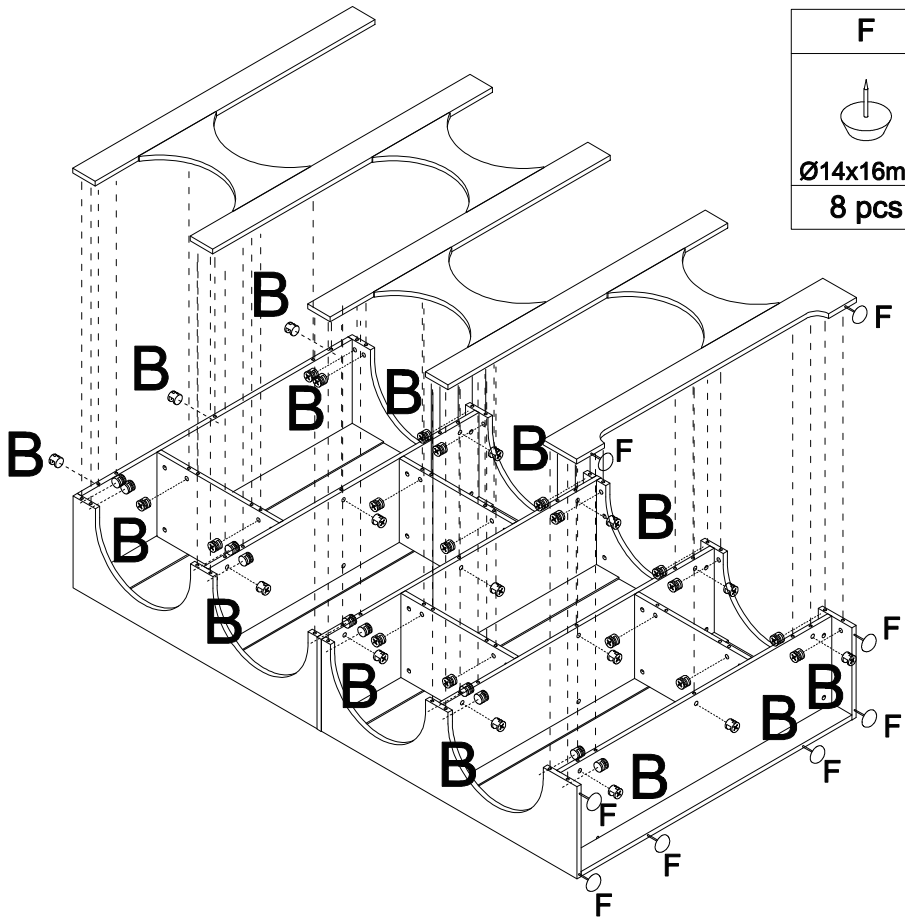
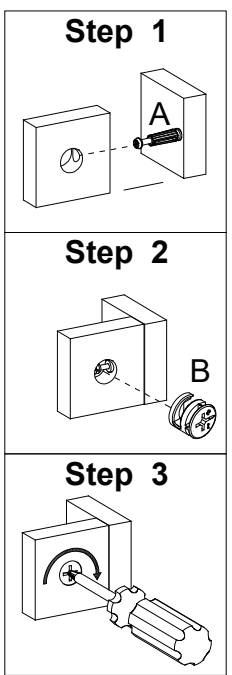




31



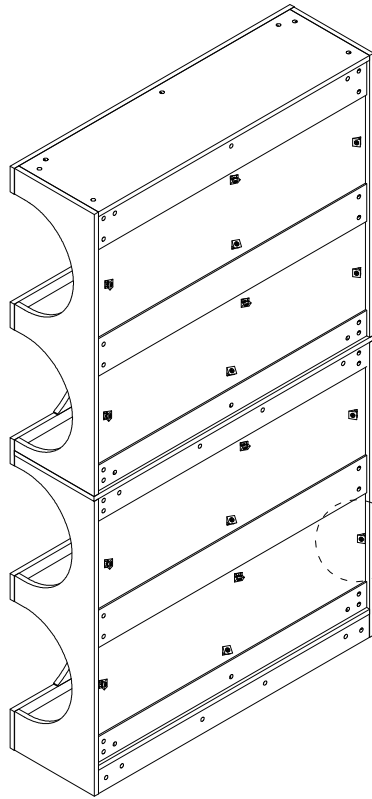
C

Ø8x30mm
16 pcs



32

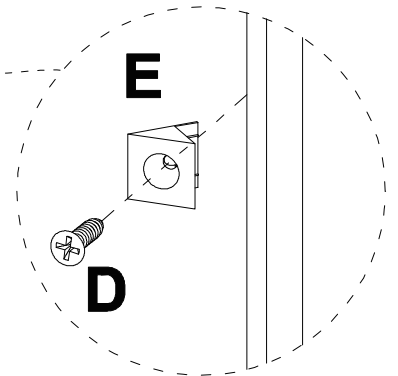


F	B
	
Ø14x16mm	Ø12x10mm
8 pcs	43 pcs

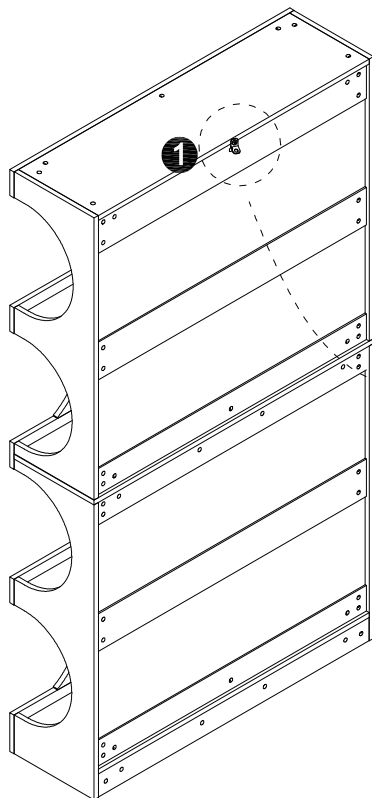
33




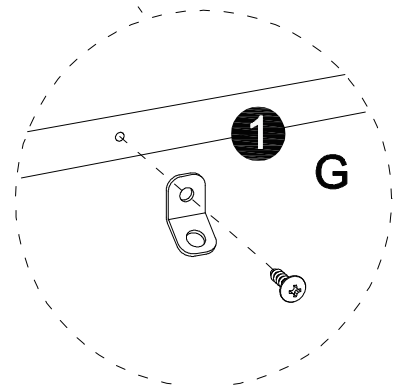
D	E
	
Ø3.5x14mm	
16 pcs	16 pcs

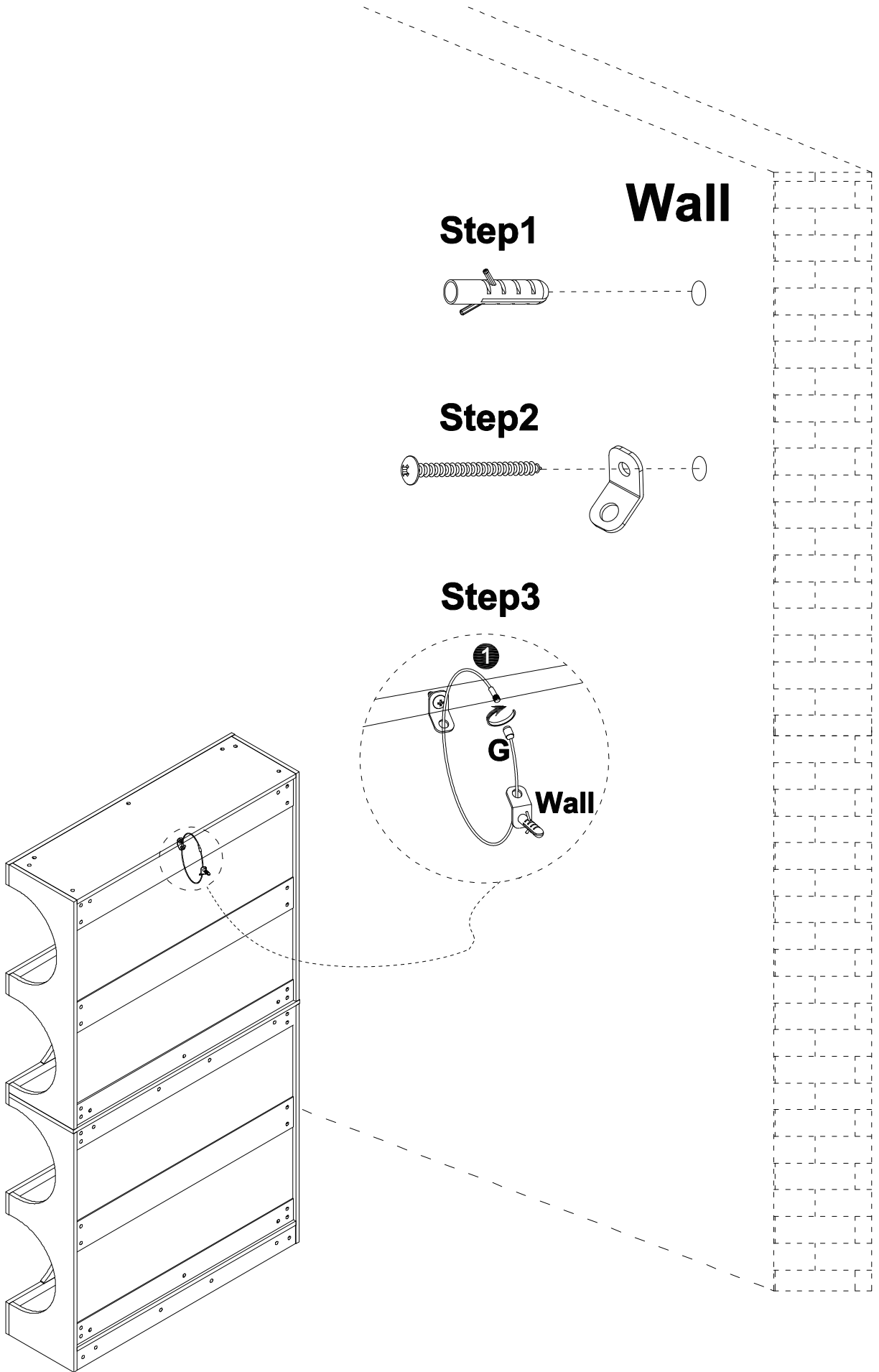


34



G

1 pc





Step1 **Wall**

Step2

Step3

Wall

Thank you for your support!

