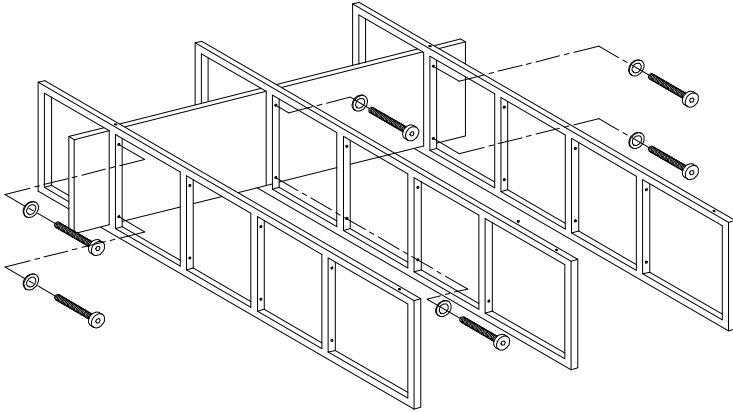





**STEP ① With the help of an assistant :**

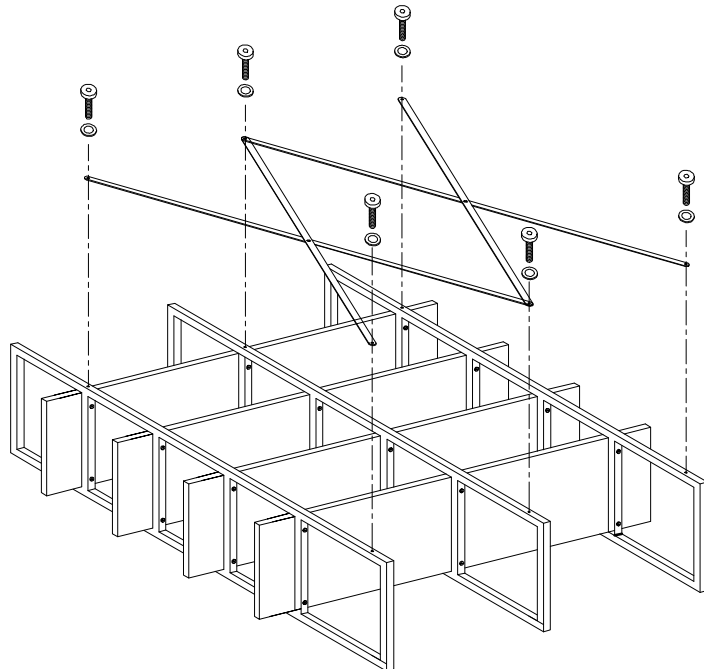
Assemble the product as near as possible to the point of use.



**HARDWARE CHECKLIST**

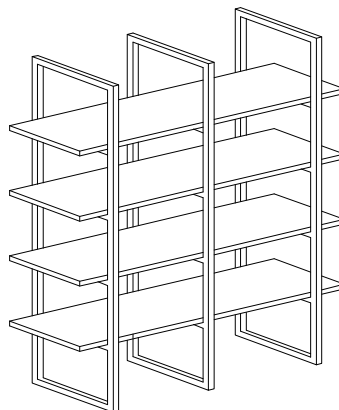
No:	HARDWARES	PICTURE	Q.TY
1	Hex Bolt 6x40		24
2	Hex Bolt 6x25		6
3	Allen key		1

**STEP ② With the help of an assistant :**



**STEP ③ With the help of an assistant :**

Turn the product Right Side up.



Once assembly has been completed , donot attempt to roll the item upright as this may damage the product . Instead two people should carefully lift , rotate and place down the item in an upright position on all 4 legs .

" Your product is now ready for use "