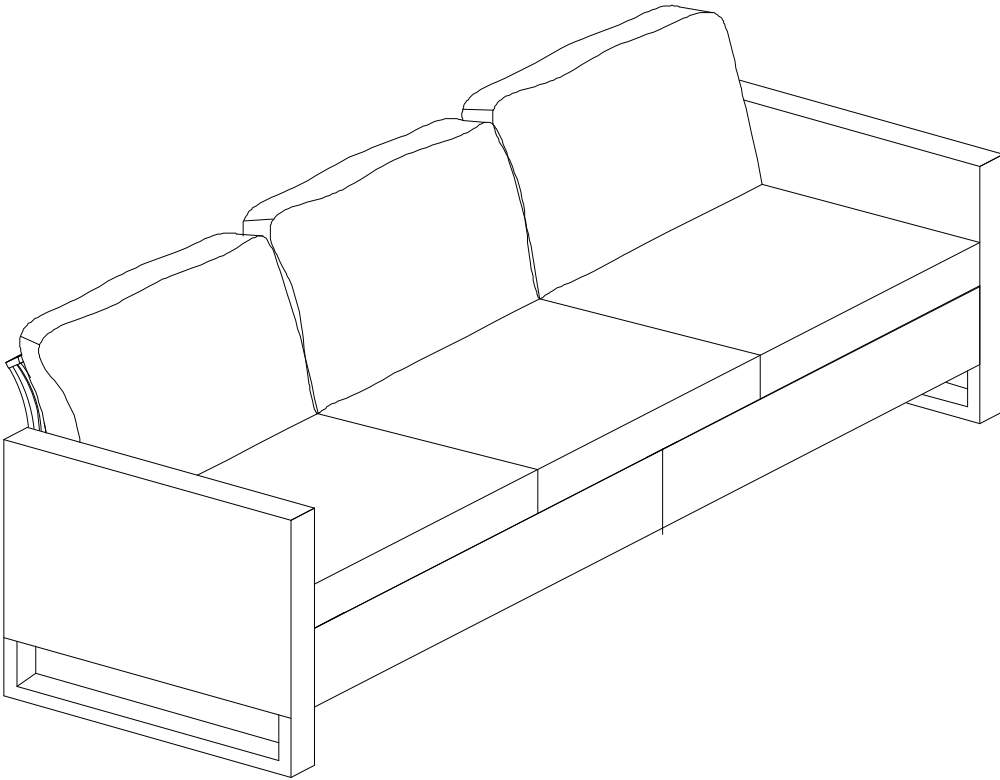


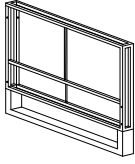
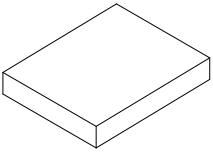
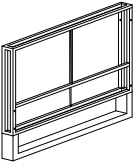

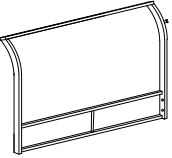

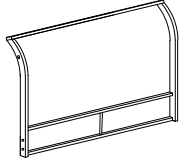

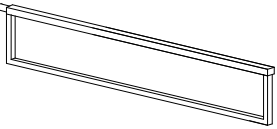

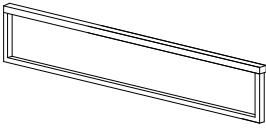
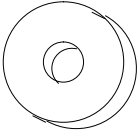
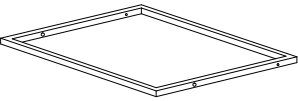
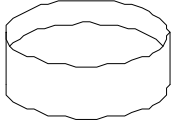
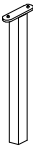
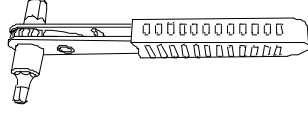
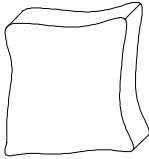
Assembly Instructions

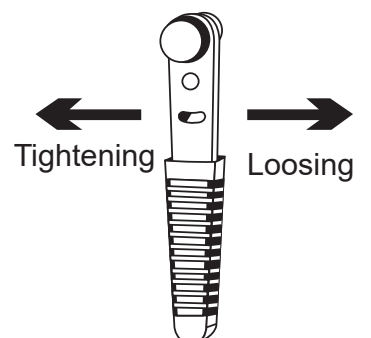
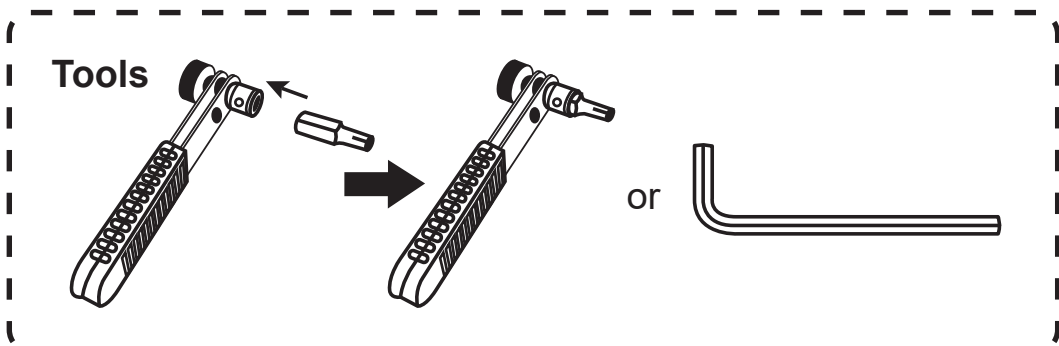


***Don't fully tighten all the bolts till the very end!**

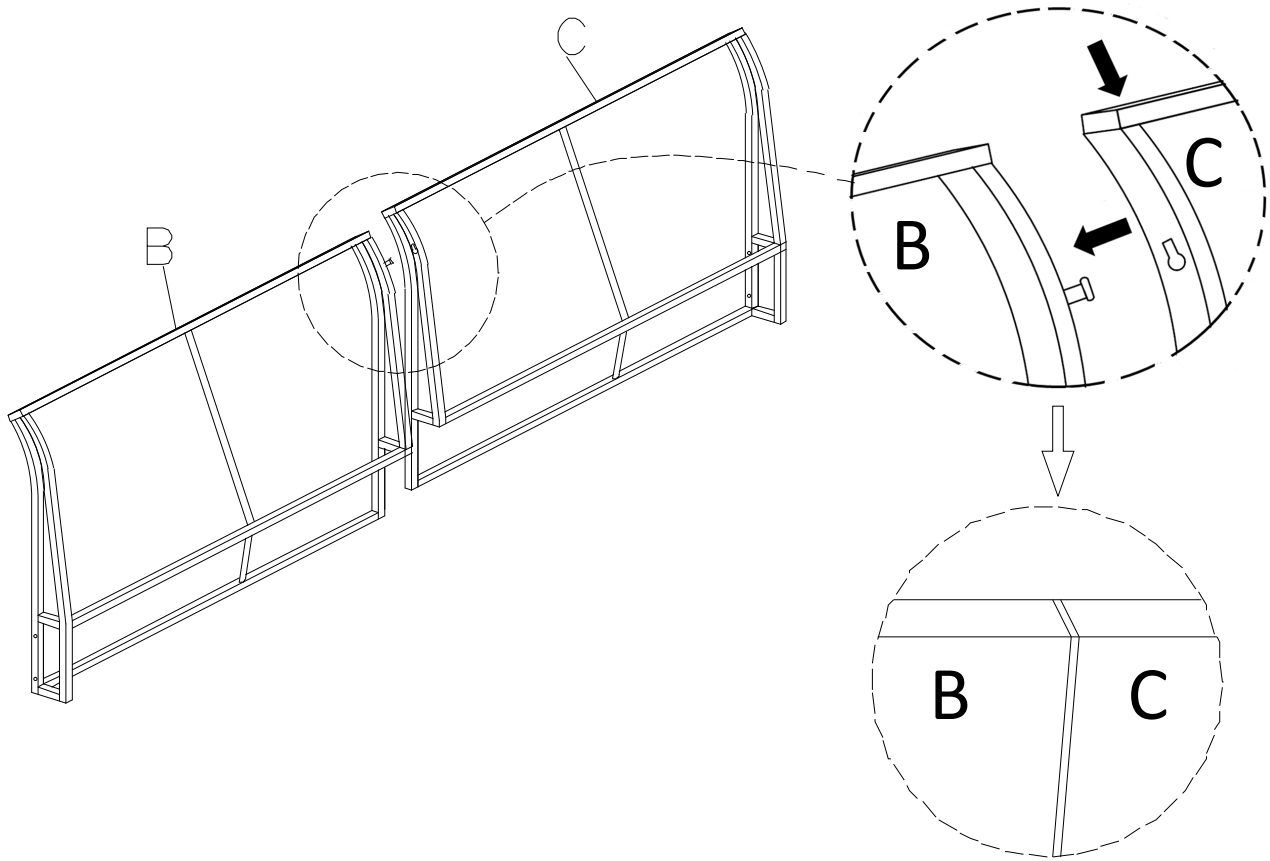
PRE-ASSEMBLY PREPARATION:

- Please read through the instructions before beginning assembly.
- Clear out the space for assembly and lay out all of the parts based on the Parts List, extra room will allow you to easily determine if all the pieces are present.
- Keep small parts and pieces away from children until fully assembled.

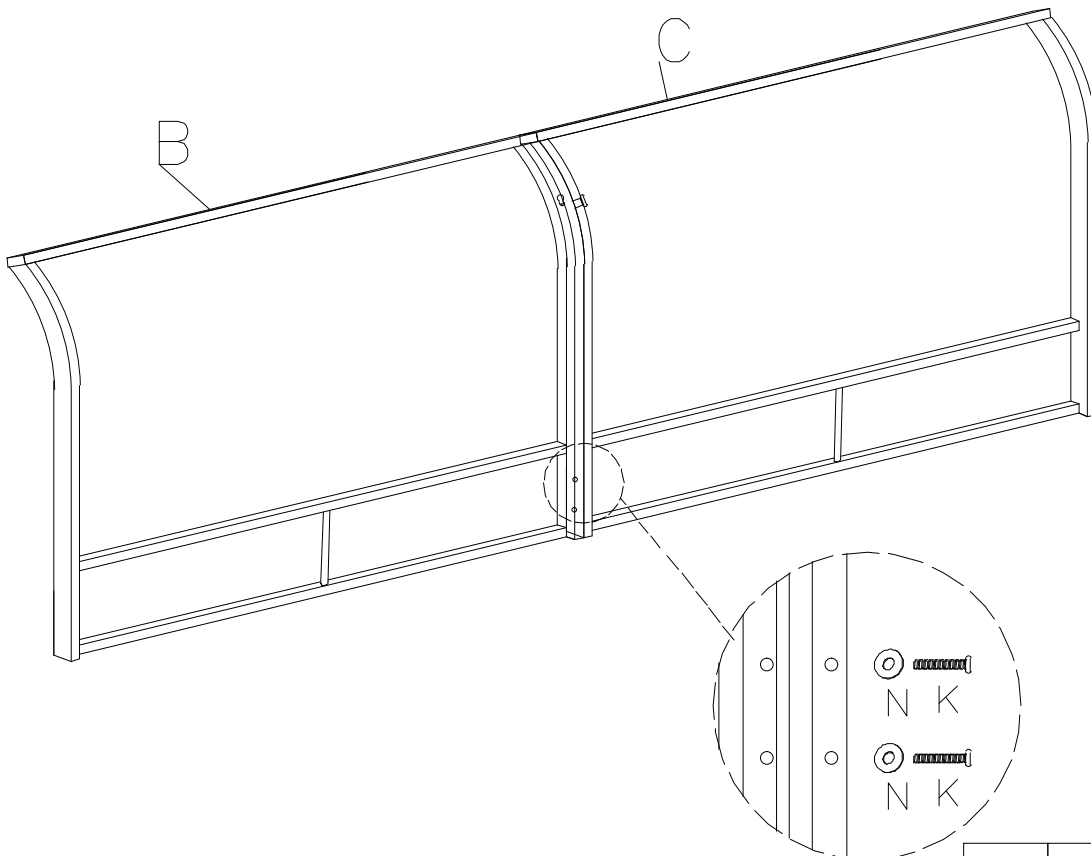
Part no.	Part	QTY	Image	Part no.	Part	QTY	Image
A1	Left arm	1		I	Seat cushion	3	
A2	Right arm	1		J	Bolt (M6*20mm)	4	
B	Right back panel	1		K	Bolt (M6*35mm)	10	
C	Left back panel	1		L	Bolt (M6*40mm)	12	
D	Right front panel	1		M	Bolt (M6*95mm)	2	
E	Left front panel	1		N	Washer M6	28	
F	Seat panel	3		O	Bolt cap (M6*13mm)	2	
G	Middle foot	2		P	Ratchet wrench	1	
H	Back cushion	3					





Step 1: Attach back B to back C, and press back C down to keep B&C on the same level.

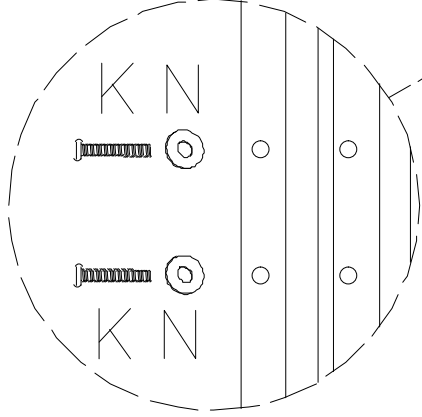
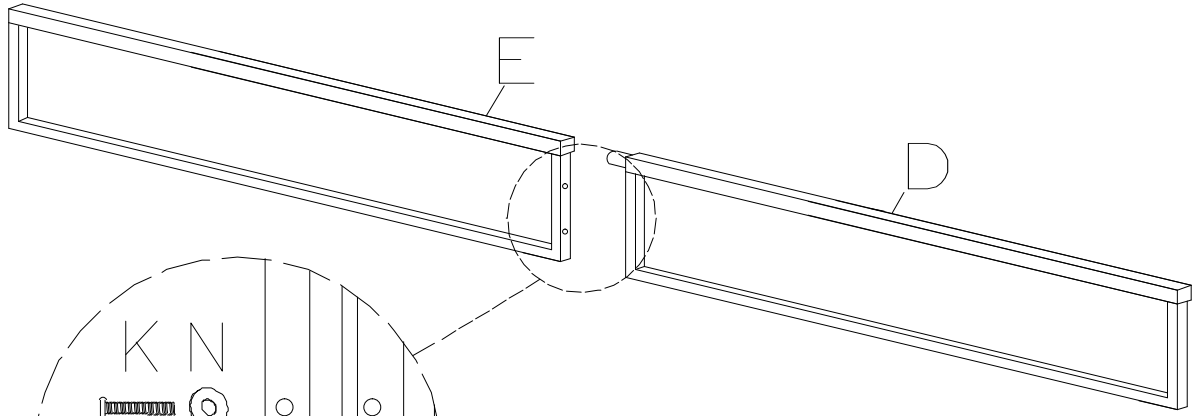




Step 2: Attach back B&C with 2pcs bolts K and 2pcs washers N, using Ratchet wrench P. Note: Don't fully tighten the bolts.



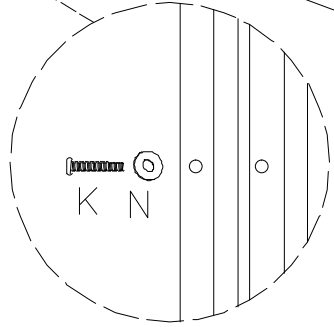
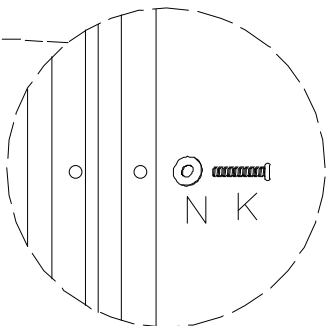
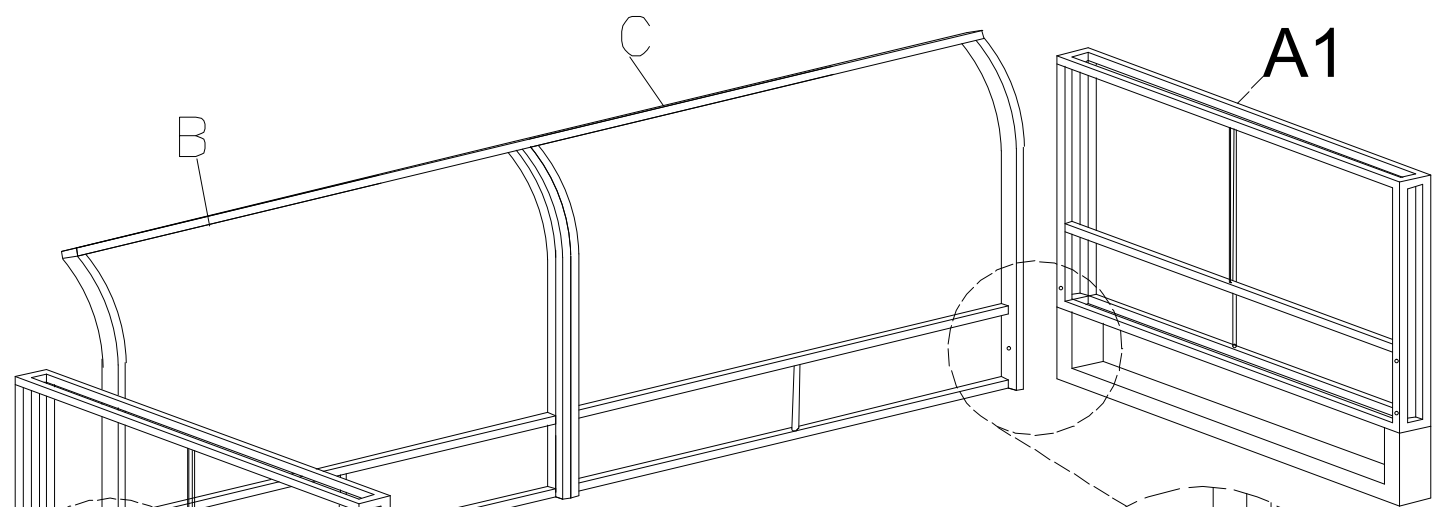
K		M6*35	2
N		M6	2



Step 3: Attach front panel D&E with 2pcs bolts K and 2pcs washers N, using Ratchet wrench P. Note: Don't fully tighten the bolts.



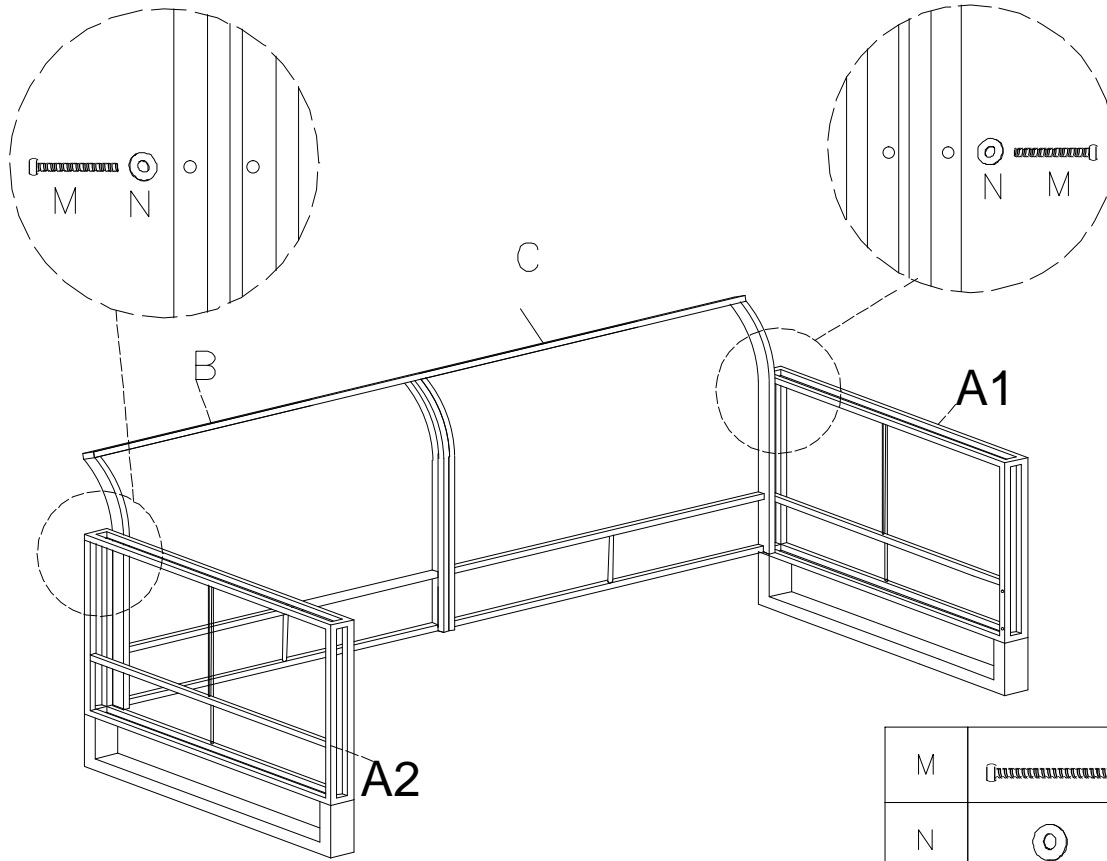
K		M6*35	2
N		M6	2



Step 4: Attach arms A1&A2 to back panels B&C with 2pcs bolts K and 2pcs washers N, using Ratchet wrench P. Note: Don't fully tighten the bolts.



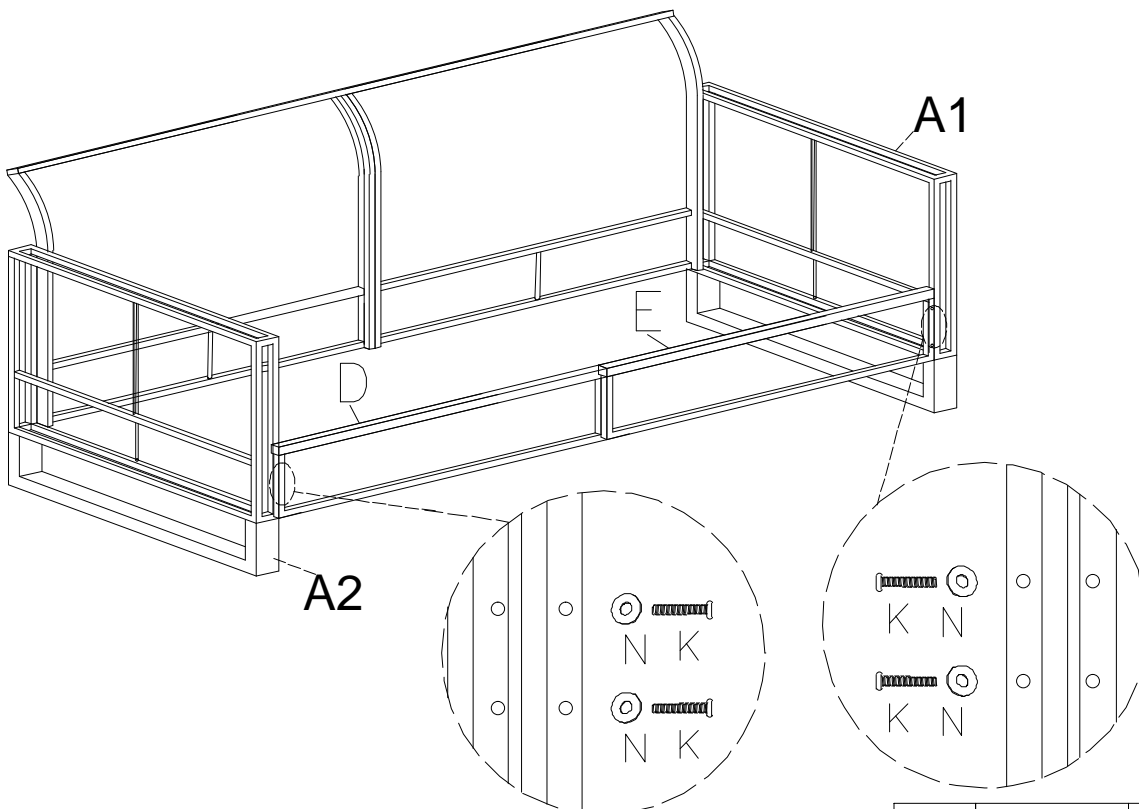
K		M6*35	2
N		M6	2



Step 5: Attach arms A1&A2 to back panels B&C with 2pcs bolts M and 2pcs washers N, using Ratchet wrench P. Note: Don't fully tighten the bolts.



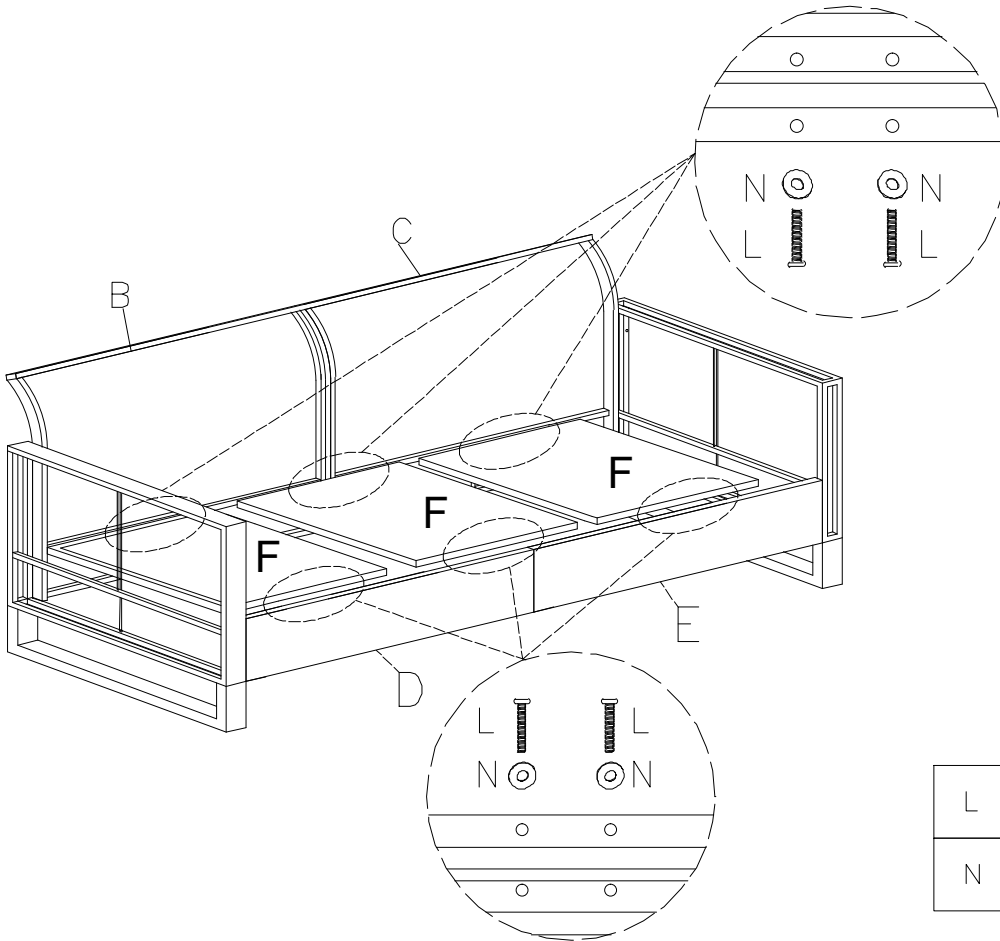
M		M6*95	2
N		M6	2



Step 6: Attach front panels D&E to arms A1&A2 with 4pcs bolts K and 4pcs washers N, using Ratchet wrench P. Note: Don't fully tighten the bolts.



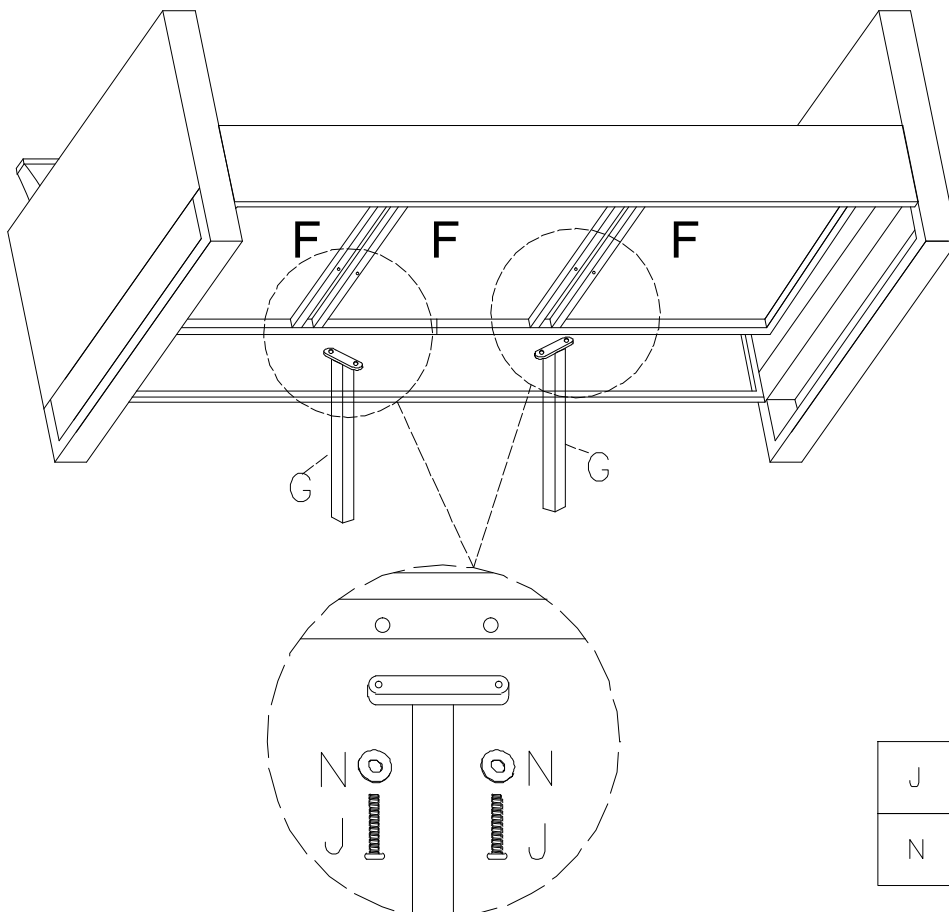
K		M6*35	4
N		M6	4



Step 7: Attach seat panels F to the front panels and back panels with 12pcs bolts L and 12pcs washers N, using Ratchet wrench P. Note: Don't fully tighten the bolts.



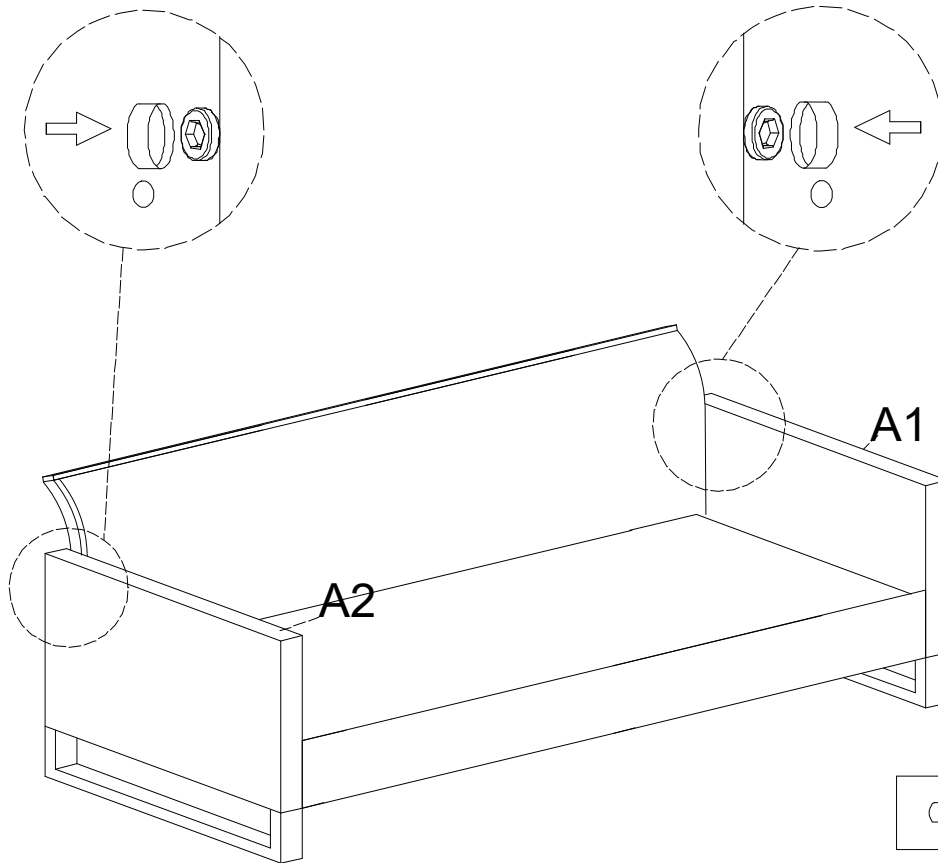
L		M6*40	12
N		M6	12


Step 8: Attach middle 2pcs feet G to part F with 4pcs bolts J and 4pcs washers N, using Ratchet wrench P. Note: Please fully tighten all the bolts.



J		M6*20	4
N		M6	4

Step 9: Lock 2pcs bolt caps O to arms A1&A2.



0		plastic cap D13*M6	2
---	---	-----------------------	---

Step 10: Put seat cushions I and back cushions H onto the seat.
Assembly is now complete and the product is ready for use.

